

NOTES

1. All dimensions are in $\frac{\text{Inches}}{\text{(millimeters)}}$
2. Dimensions appearing in table are as follows:
a - AS SUPPLIED b - AFTER UNRESTRICTED RECOVERY
3. Coating is optional. As supplied dimensions appearing in table are for uncoated parts. When coating is added, entry diameters will be reduced .06 max.
4. Molding ports are optional. When specified, by -00 modification number, they will be located as shown. A plug and riser will be supplied with each part.

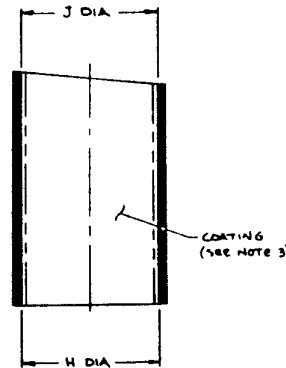
ORDERING INFORMATION

Matl. No.	Description	Raychem RT Spec
-3	Polyolefin, Semi-Rigid	RT-301
-4	Polyolefin, Flexible	RT-1304
-5	Elastomer, Flexible	RT-501
-25	Elastomer, Semi-Rigid	RT-1325
/42	Adhesive, S-1017 (for -3, -4 and -5 material only)	

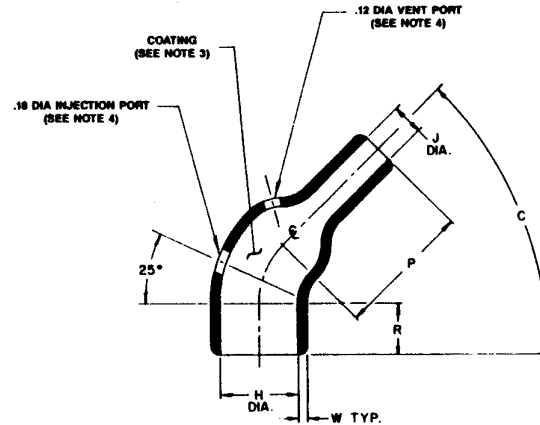
Add material number as suffix to part number;
Example 1 - Order 242A142-3 when polyolefin, semi-rigid is required.

Add coating slash number as suffix to material dash number or modification number when coating is required.
Example 2 - Order 242A142-X/42 or 242A142-X-00/42 when S-1017 adhesive is required.

Example 3 - Order 242A142-X-00 when molding ports are required.



AS SUPPLIED



AFTER UNRESTRICTED RECOVERY

TABLE OF DIMENSIONS

PART NUMBER	H		J			P	R	W	C		This Boot Fits MIL-C-5015 Shell Size	This Boot Fits MIL-C-26482 Shell Size
	Min a	Max b	-3, -4, -25 Min a	-5 Min a	Max b	$\pm 10\%$ b	$\pm 10\%$ b	$\pm 20\%$ b	$\pm 10^\circ$ a	$\pm 5^\circ$ b		
242A142	$\frac{1.22}{[31,0]}$	$\frac{.70}{[17,8]}$	$\frac{1.22}{[31,0]}$	$\frac{.76}{[19,3]}$	$\frac{.28}{[7,1]}$	$\frac{1.04}{[26,4]}$	$\frac{.32}{[8,1]}$	$\frac{.07}{[1,78]}$	90	45	14	12, 14

Raychem

Raychem Corporation
300 Constitution Drive
Menlo Park, CA 94025-1164
415) 361 6055

E.O.	REV	DATE	DESCRIPTION
HOP	A	9/87	RETYPE
SLJ	B	2/83	R WAS .38
SLJ	C	6/88	ADD -4, -5, -25 & S-1017
SLJ	D	2/89	ADD "AS SUPPLIED" VIEW

DRN	DD
CHK'D	KT
AUTH	RW
AUTH	HP

PART DESCRIPTION
BOOT, 45°

PART NO.
242A142

REV LTR
D

DATE
FEBRUARY 27, 1989

X-ON Electronics

Largest Supplier of Electrical and Electronic Components

Click to view similar products for [Heat Shrink Cable Boots & End Caps](#) category:

Click to view products by [TE Connectivity](#) manufacturer:

Other Similar products are found below :

[577159N001](#) [645494-000](#) [CX4132-000](#) [687025-000](#) [705331-000](#) [718446-000](#) [725666N001](#) [729257-000](#) [F27131-000](#) [F85868-000](#) [770-003S106W2](#) [806542N001](#) [807507-000](#) [808059-000](#) [808362-000](#) [808618-000](#) [809125-000](#) [809130-000](#) [809218-000](#) [812014-000](#) [812047-000](#) [813166-000](#) [813767N002](#) [814741-000](#) [819117N001](#) [823026-000](#) [823070-000](#) [825002-000](#) [841189N001](#) [861471-000](#) [866647-000](#) [879515-000](#) [937577-000](#) [957073-000](#) [982033-2](#) [A77813-000](#) [R280576000](#) [D96192-000](#) [163549-000](#) [MTPSRBCL-C](#) [1954015-1](#) [200W531-3-0](#) [202A163-4-0-CS5067](#) [202A343-3-00-0](#) [202B221-13-0](#) [202B231-13-0](#) [202B563-25-07-0](#) [202C241-13-0](#) [202D121-4-01/86-0](#) [202D132-4-07/42-0](#)