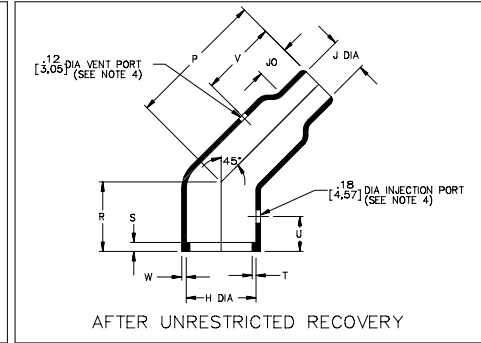
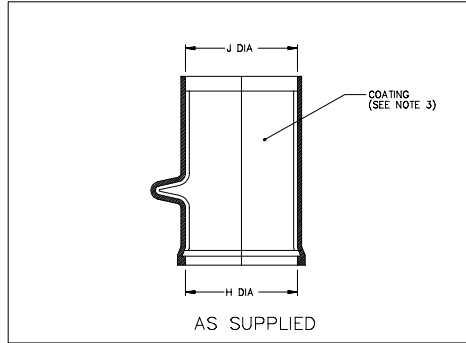


Thermofit[®] Molded Parts Specification Control Drawing

Part Number : 242A312 & 322
Description : Boot, 45°, With Lip

NOTES

- All dimensions are in $\frac{\text{inches}}{\text{[millimeters]}}$
- Dimensions appearing in table are as follows:
a - As Supplied
b - After Unrestricted Recovery
- Coating is optional. As supplied dimensions appearing in table are for uncoated parts. When coating is added, entry diameters will be reduced by .06 max.
- Molding parts are optional. When -00 modification number is specified molding parts will be located as shown.
- For corresponding adapter see drawing number 202C221 thru 302.



PART NUMBER	H		J		P ±10% b	R ±10% b	S ±10% b	T ±10% b	U Ref b	V Ref b	JO ±10% b	W ±20% b	This Boot Fits Convolex Tubing
	Min	Max	Min	Max									
	a	b	a	b									
242A312	1.00 [25,4]	.70 [17,8]	1.00 [25,4]	.37 [9,4]	1.62 [41,1]	1.00 [25,4]	.12 [3,05]	.05 [1,27]	.47 [11,9]	1.03 [26,2]	.42 [10,7]	.06 [1,52]	3/8" thru 1/2"
242A322	1.50 [38,1]	.95 [24,1]	1.50 [38,1]	.49 [12,4]	1.75 [44,5]	1.00 [25,4]	.12 [3,05]	.05 [1,27]	.47 [11,9]	1.03 [26,2]	.42 [10,7]	.06 [1,52]	1/2 thru 1"

Raychem

RAYCHEM CORPORATION
300 CONSTITUTION DRIVE
MENLO PARK, CALIFORNIA 94025

Revision : D
Date : 9/22/99

Part Number : 242A312 & 322
Description : Boot, 45°, With Lip

Thermofit[®] Molded Parts Specification Control Drawing

Part Number : 242A312 & 322
Description : Boot, 45°, With Lip

COMPATABILITY CHART					
MATERIAL DASH NO.	MATERIAL DESCRIPTION	RT SPEC	COATING SLASH NO.	COATING S NO.	COATING DESCRIPTION
-3	Polyolefin, Semi-rigid	RT-301	/42;/86	S-1017;S-1048	Adhesive
-4	Polyolefin, Flexible	RT-1304	/42;/86	S-1017;S-1048	Adhesive
-12	*VITON, Flexible	RT-1312	N/A		
-25	Elastomer, Fluid Resistant	RT-1325	/86	S-1048	Adhesive

*VITON is a Registered Trademark of Dupont

ORDERING INFORMATION

242A3XX -XX -XX /XXX

Base part number _____

Material dash number _____
(See Compatability Chart)

Modification number _____
(If necessary, see front of scd binder for a complete list)

Adhesive slash number _____
(If necessary, see Compatability Chart)

THIS DRAWING IS SUBJECT TO CHANGE WITHOUT NOTICE; CONSULT YOUR NEAREST FIELD REPRESENTATIVE FOR CURRENT REVISION

Raychem

RAYCHEM CORPORATION
300 CONSTITUTION DRIVE
MENLO PARK, CALIFORNIA 94025

Revision : E
Date : 9/22/99

Part Number : 242A312 & 322
Description : Boot, 45°, With Lip
CAD FILE MP99172

X-ON Electronics

Largest Supplier of Electrical and Electronic Components

Click to view similar products for [Heat Shrink Cable Boots & End Caps](#) category:

Click to view products by [TE Connectivity](#) manufacturer:

Other Similar products are found below :

[577159N001](#) [645494-000](#) [CX4132-000](#) [687025-000](#) [705331-000](#) [718446-000](#) [725666N001](#) [729257-000](#) [F27131-000](#) [F85868-000](#) [770-003S106W2](#) [770-013210W1](#) [770-013311](#) [770-013312](#) [806542N001](#) [807507-000](#) [808059-000](#) [808362-000](#) [808618-000](#) [809125-000](#) [809130-000](#) [809218-000](#) [812014-000](#) [812047-000](#) [813166-000](#) [813767N002](#) [814741-000](#) [819117N001](#) [823026-000](#) [823070-000](#) [825002-000](#) [841189N001](#) [861471-000](#) [866647-000](#) [879515-000](#) [937577-000](#) [957073-000](#) [982033-2](#) [A77813-000](#) [R280576000](#) [D96192-000](#) [163549-000](#) [MTPSRBCL-C](#) [1954015-1](#) [200W531-3-0](#) [202A163-4-0-CS5067](#) [202A343-3-00-0](#) [202B221-13-0](#) [202B231-13-0](#) [202B563-25-07-0](#)