

| REVISIONS |     |                  |           |     |      |
|-----------|-----|------------------|-----------|-----|------|
| P         | LTR | DESCRIPTION      | DATE      | DWN | APVD |
|           | 3   | PRODUCTION ISSUE | 05FEB2019 | PNT | MT   |

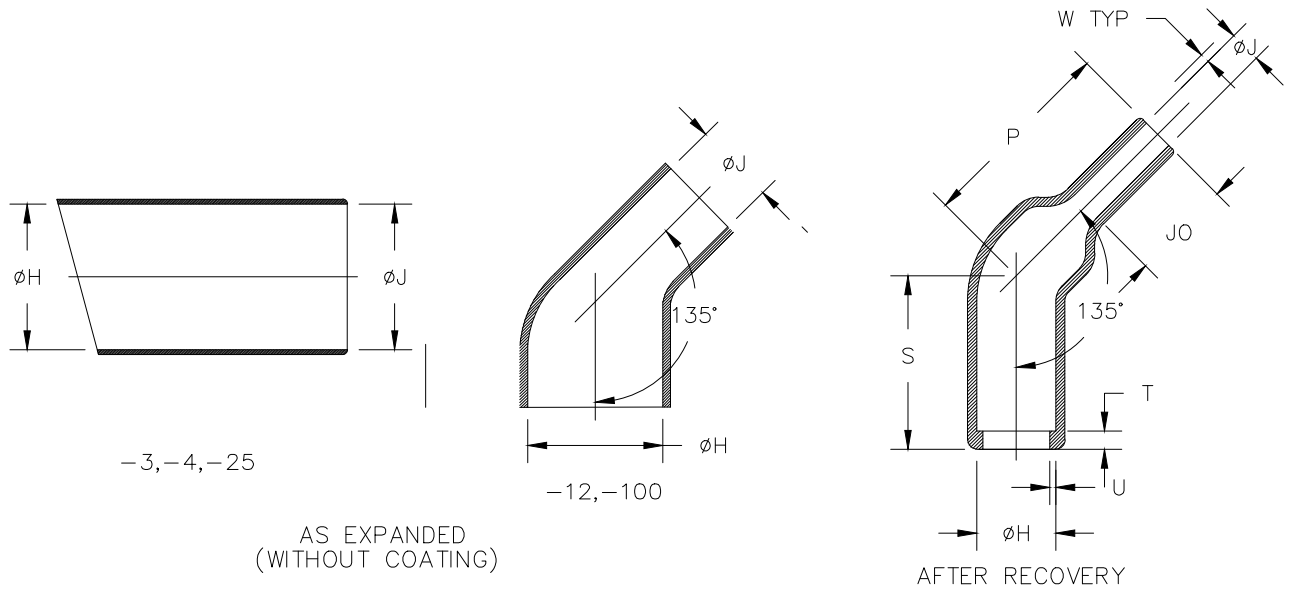


TABLE 1: FOR -3,-4,-25

| PART DESCRIPTION | H                   |                       | J                   |                      | P                   | S                   | T                    | U                    | JO                  | W                    |
|------------------|---------------------|-----------------------|---------------------|----------------------|---------------------|---------------------|----------------------|----------------------|---------------------|----------------------|
|                  | MIN<br>a            | MAX<br>b              | MIN<br>a            | MAX<br>b             | ±10%<br>b           | ±10%<br>b           | ±10%<br>b            | ±10%<br>b            | ±10%<br>b           | ±20%<br>b            |
| 242W042          | <u>31</u><br>[1.22] | <u>17.9</u><br>[0.70] | <u>31</u><br>[1.22] | <u>7.0</u><br>[0.28] | <u>55</u><br>[2.17] | <u>35</u><br>[1.38] | <u>3.5</u><br>[0.14] | <u>2.0</u><br>[0.08] | <u>25</u><br>[0.98] | <u>1.8</u><br>[0.07] |
| 242W053          | <u>36</u><br>[1.42] | <u>22.1</u><br>[0.87] | <u>36</u><br>[1.42] | <u>8.4</u><br>[0.33] | <u>60</u><br>[2.36] | <u>40</u><br>[1.57] | <u>3.5</u><br>[0.14] | <u>2.0</u><br>[0.08] | <u>30</u><br>[1.18] | <u>2.0</u><br>[0.08] |
| 242W063          | <u>43</u><br>[1.69] | <u>27.9</u><br>[1.10] | <u>43</u><br>[1.69] | <u>9.9</u><br>[0.39] | <u>65</u><br>[2.56] | <u>45</u><br>[1.77] | <u>3.5</u><br>[0.14] | <u>2.0</u><br>[0.08] | <u>35</u><br>[1.38] | <u>2.2</u><br>[0.09] |

TABLE 1: FOR -12,-100 MATERIAL

| PART DESCRIPTION | H                   |                       | J                   |                      | P                   | S                   | T                    | U                    | JO                  | W                    |
|------------------|---------------------|-----------------------|---------------------|----------------------|---------------------|---------------------|----------------------|----------------------|---------------------|----------------------|
|                  | MIN<br>a            | MAX<br>b              | MIN<br>a            | MAX<br>b             | ±10%<br>b           | ±10%<br>b           | ±10%<br>b            | ±10%<br>b            | ±10%<br>b           | ±20%<br>b            |
| 242W042          | <u>31</u><br>[1.22] | <u>17.9</u><br>[0.70] | <u>18</u><br>[0.71] | <u>7.0</u><br>[0.28] | <u>55</u><br>[2.17] | <u>35</u><br>[1.38] | <u>3.5</u><br>[0.14] | <u>2.0</u><br>[0.08] | <u>25</u><br>[0.98] | <u>1.8</u><br>[0.07] |
| 242W053          | <u>36</u><br>[1.42] | <u>22.1</u><br>[0.87] | <u>21</u><br>[0.83] | <u>8.4</u><br>[0.33] | <u>60</u><br>[2.36] | <u>40</u><br>[1.57] | <u>3.5</u><br>[0.14] | <u>2.0</u><br>[0.08] | <u>30</u><br>[1.18] | <u>2.0</u><br>[0.08] |
| 242W063          | <u>43</u><br>[1.69] | <u>27.9</u><br>[1.10] | <u>25</u><br>[0.98] | <u>9.9</u><br>[0.39] | <u>65</u><br>[2.56] | <u>45</u><br>[1.77] | <u>3.5</u><br>[0.14] | <u>2.0</u><br>[0.08] | <u>35</u><br>[1.38] | <u>2.2</u><br>[0.09] |

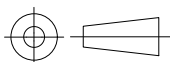
RELEASED FOR PUBLICATION

ALL RIGHTS RESERVED.

THIS DRAWING IS UNPUBLISHED.

COPYRIGHT - TE Connectivity Ltd.

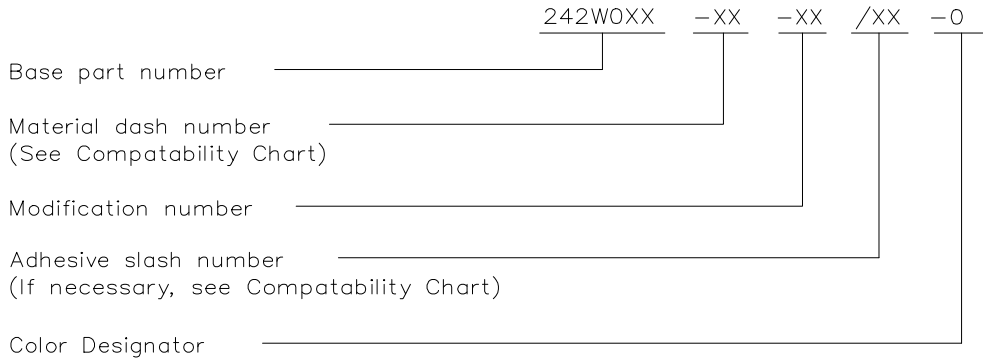
|                                        |                    |           |                         |                              |
|----------------------------------------|--------------------|-----------|-------------------------|------------------------------|
| DIMENSIONS:<br>mm [INCHES]             | DWN<br>PRAVEEN N T | 05FEB2019 | MATERIAL<br>SEE SHEET 2 | FINISH<br>-                  |
|                                        | CHK<br>N NAGAR     | 05FEB2019 | TE Connectivity Ltd.    |                              |
| TOLERANCES UNLESS OTHERWISE SPECIFIED: | APVD<br>M TAYLOR   | 05FEB2019 |                         |                              |
| 0 PLC ± -                              | PRODUCT SPEC       | -         | SIZE<br>A4              |                              |
| 1 PLC ± -                              | APPLICATION SPEC   | -         | CAGE CODE<br>00779      | DRAWING NO<br>C-242W0XX-XX-0 |
| 2 PLC ± -                              | WEIGHT             | -         | RESTRICTED TO<br>-      |                              |
| 3 PLC ± -                              |                    |           | SCALE<br>DNS            |                              |
| 4 PLC ± -                              |                    |           | SHEET<br>1 OF 2         |                              |
| ANGLES ± -                             |                    |           | REV<br>3                |                              |
| CUSTOMER DRAWING                       |                    |           |                         |                              |



| REVISIONS |     |             |      |      |
|-----------|-----|-------------|------|------|
| P         | LTR | DESCRIPTION | DATE | APVD |
|           | -   | SEE SHEET 1 | -    | -    |

| MATERIAL DASH NO. | MATERIAL DESCRIPTION              | RT SPEC | COATING SLASH NO. | COATING S NO.     |
|-------------------|-----------------------------------|---------|-------------------|-------------------|
| -3                | Polyolefin, Semi-rigid            | RT-301  | /42;/86;/180      | S1017;S1048;S1030 |
| -4                | Polyolefin, Flexible              | RT-1304 | /42;/86;/180      | S1017;S1048;S1030 |
| -12               | Fluoroelastomer, Flexible         | RT-1312 | N/A               | N/A               |
| -25               | Elastomer, Fluid Resistant        | RW-2070 | /42;/86;/225      | S1017;S1048;S1206 |
| -100              | Polyolefin, semi-flexible Zerohal | RW-2082 | /86; /180         | S1048; S1030      |

ORDERING INFORMATION



NOTE


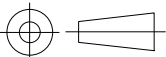
- 1) AS SUPPLIED DIMENSIONS ARE FOR UNCOATED PARTS, WHEN COATING IS ADDED ENTRY DIAMETERS WILL REDUCE BY 1.5MM[.06] MAX.
- 2) S1030(/180 EQUIVALENT) WILL BE SUPPLIED AS CS-1972 (S1030 TAPE IN THE BAG) (I.E 242W042-100-CS-1972-0) OR AS /180 IF REQUIRED
- 3) ZEROHAL IS TRADEMARK OF TYCO ELECTRONICS

RELEASED FOR PUBLICATION

ALL RIGHTS RESERVED.

© COPYRIGHT - TE Connectivity Ltd.

THIS DRAWING IS UNPUBLISHED.

|                                                                                     |                    |           |                                                                                                           |                 |
|-------------------------------------------------------------------------------------|--------------------|-----------|-----------------------------------------------------------------------------------------------------------|-----------------|
| DIMENSIONS:<br>mm [INCHES]                                                          | DWN<br>PRAVEEN N T | 05FEB2019 | MATERIAL<br>SEE SHEET 2                                                                                   | FINISH<br>-     |
|                                                                                     | CHK<br>N NAGAR     | 05FEB2019 |  TE Connectivity Ltd. |                 |
| TOLERANCES UNLESS OTHERWISE SPECIFIED:                                              | APVD<br>M TAYLOR   | 05FEB2019 |                                                                                                           |                 |
| 0 PLC ± -                                                                           | PRODUCT SPEC       | -         | NAME<br>BOOT, 135 DEGREES WITH LIP                                                                        |                 |
| 1 PLC ± -                                                                           | APPLICATION SPEC   | -         | SIZE                                                                                                      | CAGE CODE       |
| 2 PLC ± -                                                                           |                    |           | A4                                                                                                        | 00779           |
| 3 PLC ± -                                                                           |                    |           | DRAWING NO                                                                                                |                 |
| 4 PLC ± -                                                                           |                    |           | C-242W0XX-XX-0                                                                                            |                 |
| ANGLES ± -                                                                          | WEIGHT             |           | RESTRICTED TO                                                                                             |                 |
|  |                    |           | -                                                                                                         |                 |
| CUSTOMER DRAWING                                                                    |                    |           | SCALE<br>DNS                                                                                              | SHEET<br>2 OF 2 |
|                                                                                     |                    |           | REV<br>3                                                                                                  |                 |

## X-ON Electronics

Largest Supplier of Electrical and Electronic Components

*Click to view similar products for [Heat Shrink Cable Boots & End Caps](#) category:*

*Click to view products by [TE Connectivity](#) manufacturer:*

Other Similar products are found below :

[577159N001](#) [645494-000](#) [CX4132-000](#) [687025-000](#) [705331-000](#) [718446-000](#) [725666N001](#) [729257-000](#) [F27131-000](#) [F85868-000](#) [770-003S106W2](#) [770-013210W1](#) [770-013311](#) [770-013312](#) [806542N001](#) [807507-000](#) [808059-000](#) [808362-000](#) [808618-000](#) [809125-000](#) [809130-000](#) [809218-000](#) [812014-000](#) [812047-000](#) [813166-000](#) [813767N002](#) [814741-000](#) [819117N001](#) [823026-000](#) [823070-000](#) [825002-000](#) [841189N001](#) [861471-000](#) [866647-000](#) [879515-000](#) [937577-000](#) [957073-000](#) [982033-2](#) [A77813-000](#) [R280576000](#) [D96192-000](#) [163549-000](#) [MTPSRBCL-C](#) [1954015-1](#) [200W531-3-0](#) [202A163-4-0-CS5067](#) [202A343-3-00-0](#) [202B221-13-0](#) [202B231-13-0](#) [202B563-25-07-0](#)