

REVISIONS					
P	LTR	DESCRIPTION	DATE	DWN	APVD
	3	PRODUCTION ISSUE	05FEB2019	PNT	MT

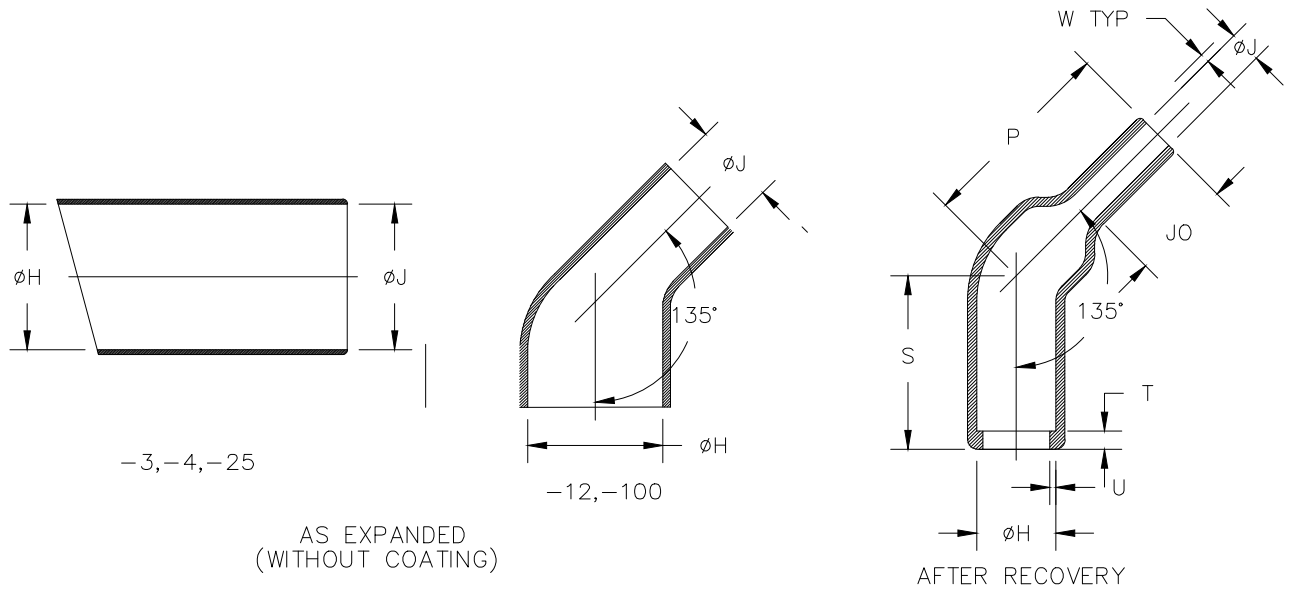


TABLE 1: FOR -3,-4,-25

PART DESCRIPTION	H		J		P	S	T	U	JO	W
	MIN a	MAX b	MIN a	MAX b	±10% b	±10% b	±10% b	±10% b	±10% b	±20% b
242W042	31 [1.22]	17.9 [0.70]	31 [1.22]	7.0 [0.28]	55 [2.17]	35 [1.38]	3.5 [0.14]	2.0 [0.08]	25 [0.98]	1.8 [0.07]
242W053	36 [1.42]	22.1 [0.87]	36 [1.42]	8.4 [0.33]	60 [2.36]	40 [1.57]	3.5 [0.14]	2.0 [0.08]	30 [1.18]	2.0 [0.08]
242W063	43 [1.69]	27.9 [1.10]	43 [1.69]	9.9 [0.39]	65 [2.56]	45 [1.77]	3.5 [0.14]	2.0 [0.08]	35 [1.38]	2.2 [0.09]

TABLE 1: FOR -12,-100 MATERIAL

PART DESCRIPTION	H		J		P	S	T	U	JO	W
	MIN a	MAX b	MIN a	MAX b	±10% b	±10% b	±10% b	±10% b	±10% b	±20% b
242W042	31 [1.22]	17.9 [0.70]	18 [0.71]	7.0 [0.28]	55 [2.17]	35 [1.38]	3.5 [0.14]	2.0 [0.08]	25 [0.98]	1.8 [0.07]
242W053	36 [1.42]	22.1 [0.87]	21 [0.83]	8.4 [0.33]	60 [2.36]	40 [1.57]	3.5 [0.14]	2.0 [0.08]	30 [1.18]	2.0 [0.08]
242W063	43 [1.69]	27.9 [1.10]	25 [0.98]	9.9 [0.39]	65 [2.56]	45 [1.77]	3.5 [0.14]	2.0 [0.08]	35 [1.38]	2.2 [0.09]

RELEASED FOR PUBLICATION

ALL RIGHTS RESERVED.

THIS DRAWING IS UNPUBLISHED.

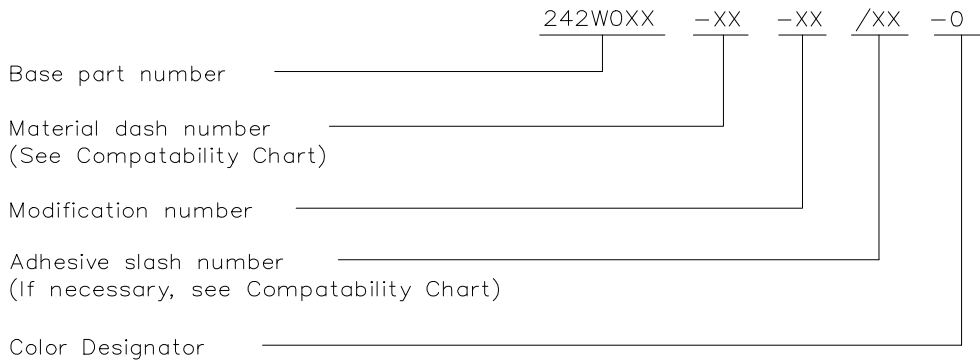
© COPYRIGHT - TE Connectivity Ltd.

DIMENSIONS: mm [INCHES]	DWN PRAVEEN N T	05FEB2019	MATERIAL SEE SHEET 2	FINISH -
	CHK N NAGAR	05FEB2019	TE Connectivity Ltd.	
TOLERANCES UNLESS OTHERWISE SPECIFIED:	APVD M TAYLOR	05FEB2019		
0 PLC ± -	PRODUCT SPEC	-	NAME BOOT, 135 DEGREES WITH LIP	
1 PLC ± -	-	-	-	
2 PLC ± -	APPLICATION SPEC	-	SIZE	CAGE CODE
3 PLC ± -	-	-	A4	00779
4 PLC ± -	-	-	DRAWING NO	
ANGLES ± -	WEIGHT	-	G-242W0XX-XX-0	
CUSTOMER DRAWING			SCALE DNS	SHEET 1 OF 2
			RESTRICTED TO -	
			REV 3	

REVISIONS				
P	LTR	DESCRIPTION	DATE	APVD
	-	SEE SHEET 1	-	-

COMPATABILITY CHART				
MATERIAL DASH NO.	MATERIAL DESCRIPTION	RT SPEC	COATING SLASH NO.	COATING S NO.
-3	Polyolefin, Semi-rigid	RT-301	/42;/86;/180	S1017;S1048;S1030
-4	Polyolefin, Flexible	RT-1304	/42;/86;/180	S1017;S1048;S1030
-12	Fluoroelastomer, Flexible	RT-1312	N/A	N/A
-25	Elastomer, Fluid Resistant	RW-2070	/42;/86;/225	S1017;S1048;S1206
-100	Polyolefin, semi-flexible Zerohal	RW-2082	/86; /180	S1048; S1030

ORDERING INFORMATION



NOTE


- 1) AS SUPPLIED DIMENSIONS ARE FOR UNCOATED PARTS, WHEN COATING IS ADDED ENTRY DIAMETERS WILL REDUCE BY 1.5MM[.06] MAX.
- 2) S1030(/180 EQUIVALENT) WILL BE SUPPLIED AS CS-1972 (S1030 TAPE IN THE BAG) (I.E 242W042-100-CS-1972-0) OR AS /180 IF REQUIRED
- 3) ZEROHAL IS TRADEMARK OF TYCO ELECTRONICS

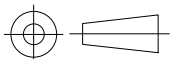
RELEASED FOR PUBLICATION

ALL RIGHTS RESERVED.

© COPYRIGHT - TE Connectivity Ltd.

THIS DRAWING IS UNPUBLISHED.

DIMENSIONS: mm [INCHES]	DWN PRAVEEN N T	05FEB2019	MATERIAL SEE SHEET 2	FINISH -
	CHK N NAGAR	05FEB2019	 TE Connectivity Ltd.	
TOLERANCES UNLESS OTHERWISE SPECIFIED:	APVD M TAYLOR	05FEB2019		
0 PLC ± -	PRODUCT SPEC	-	NAME BOOT, 135 DEGREES WITH LIP	
1 PLC ± -	APPLICATION SPEC	-	SIZE A4	CAGE CODE 00779
2 PLC ± -	WEIGHT	-	DRAWING NO C-242W0XX-XX-0	RESTRICTED TO -
3 PLC ± -			SCALE DNS	
4 PLC ± -			SHEET 2 OF 2	
ANGLES ± -			REV 3	
CUSTOMER DRAWING				



X-ON Electronics

Largest Supplier of Electrical and Electronic Components

Click to view similar products for [Heat Shrink Cable Boots & End Caps](#) category:

Click to view products by [TE Connectivity](#) manufacturer:

Other Similar products are found below :

[577159N001](#) [645494-000](#) [CX4132-000](#) [687025-000](#) [705331-000](#) [718446-000](#) [725666N001](#) [729257-000](#) [F27131-000](#) [F85868-000](#) [770-003S106W2](#) [770-013210W1](#) [770-013311](#) [770-013312](#) [806542N001](#) [807507-000](#) [808362-000](#) [808618-000](#) [809125-000](#) [809130-000](#) [809218-000](#) [812014-000](#) [812047-000](#) [813166-000](#) [813767N002](#) [814741-000](#) [819117N001](#) [823026-000](#) [823070-000](#) [841189N001](#) [861471-000](#) [866647-000](#) [879515-000](#) [937577-000](#) [957073-000](#) [982033-2](#) [A77813-000](#) [R280576000](#) [D96192-000](#) [163549-000](#) [EN3BOOTLKIT](#) [MTPSRBCL-C](#) [1954015-1](#) [200W531-3-0](#) [202A163-4-0-CS5067](#) [202A343-3-00-0](#) [202B221-13-0](#) [202B231-13-0](#) [202B563-25-07-0](#) [202C241-13-0](#)