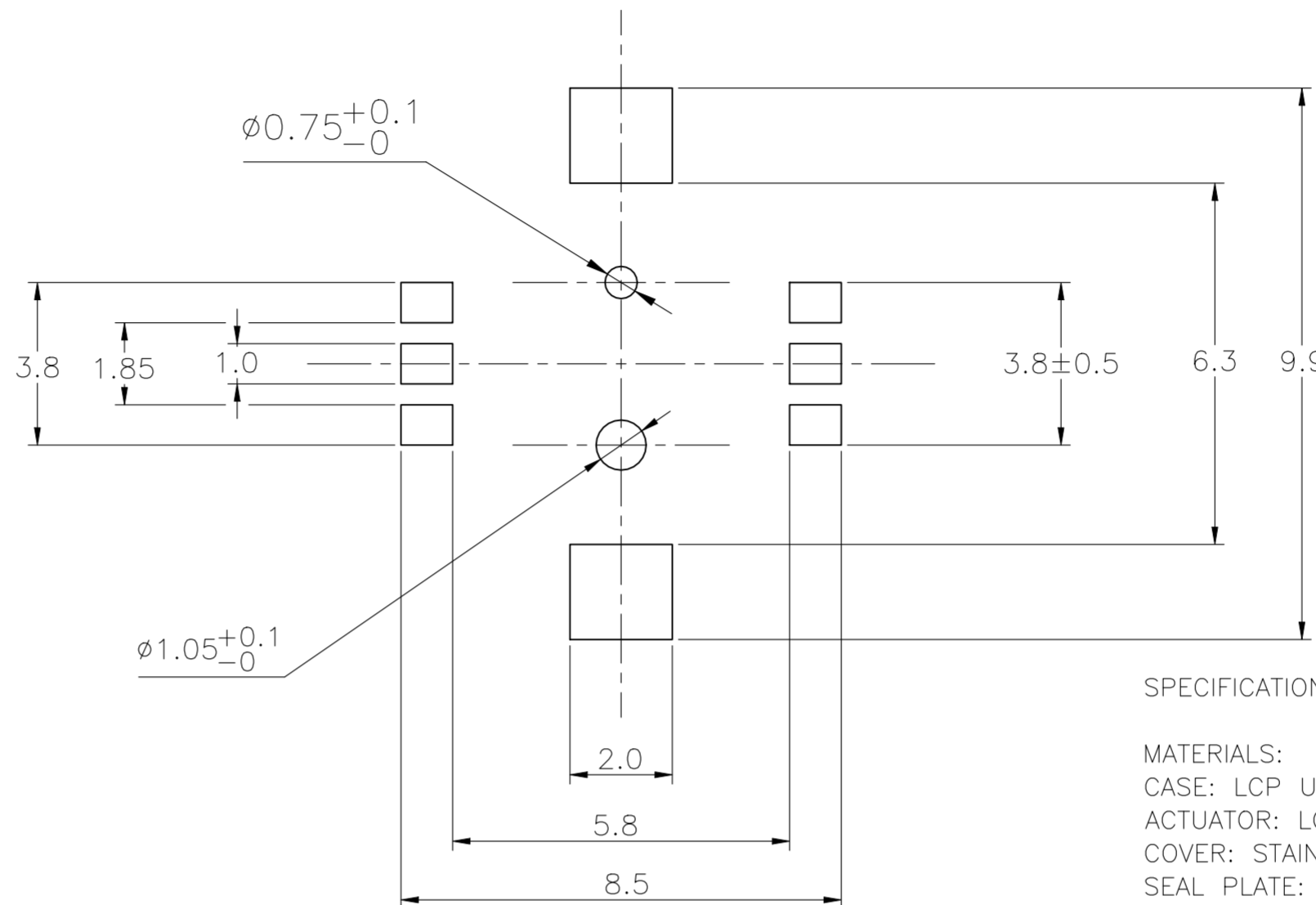
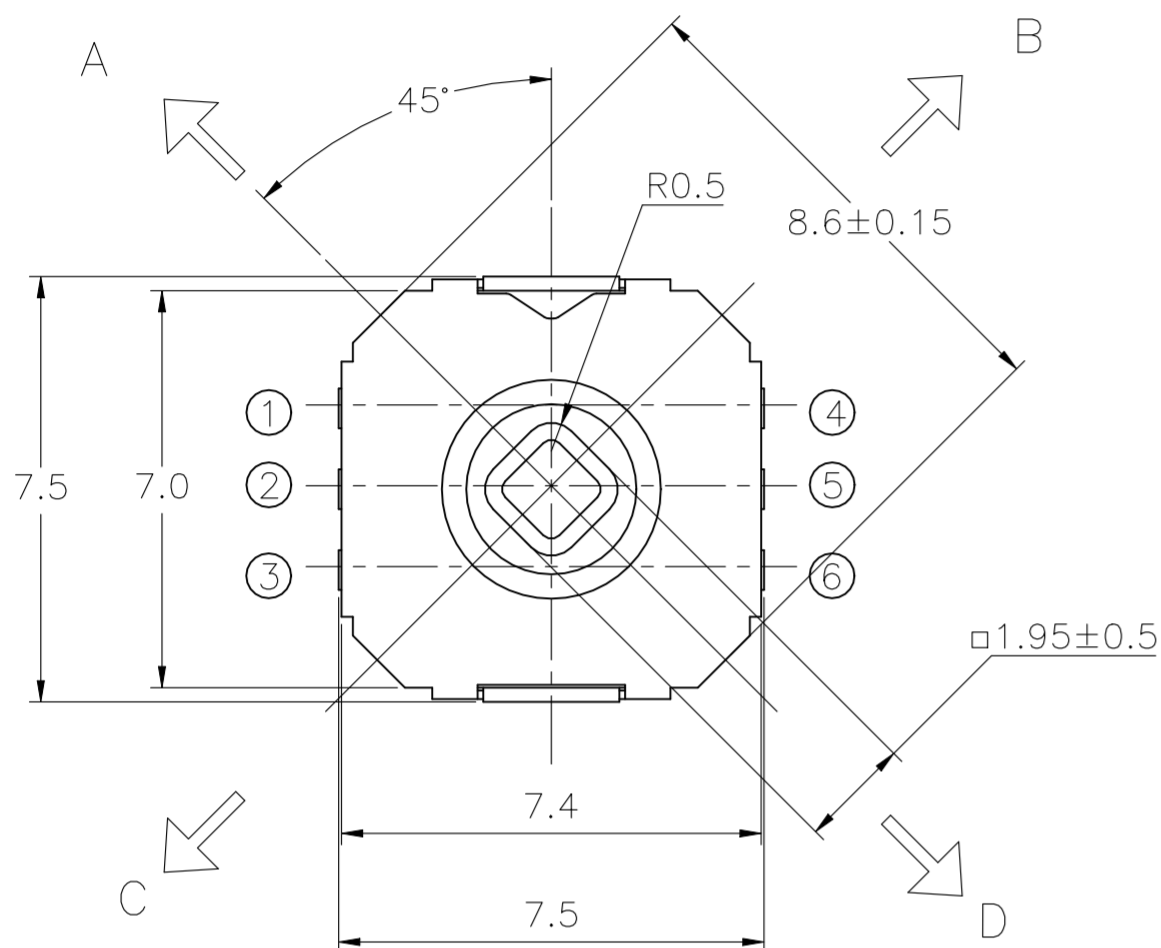


DRAWING NUMBER	TE PN	TE DESCRIPTIVE PN	IP	OPERATING FORCE	LIFE CYCLE
2434804	2434804-1	5 position tactile, 7.5x7.5	40	Center Push: 360 ±70 gf, Travel: 0.2 <sup>+0.15</sup> / <sub>-0.05</sub> mm 4-Way Direction: 240 ±70 gf, Travel: 0.35 <sup>+0.3</sup> / <sub>-0.2</sub> mm	1,00,000

REVISIONS					
P	LTR	DESCRIPTION	DATE	DWN	APVD
A		INITIAL RELEASE	09NOV2022	BB	DM



P.C.B LAND DIMENSION

SPECIFICATIONS:

MATERIALS:

CASE: LCP UL94V-0  
 ACTUATOR: LCP UL94V-0  
 COVER: STAINLESS STEEL. Sn PLATED. STEM: PPA UL94HB  
 SEAL PLATE: TEFLON TAPE.  
 MOVING CONTACT: STAINLESS STEEL Ag Clad  
 FIXED CONTACT/TERMINAL: PHOSPHOR BRONZE Ag PLATING

ELECTRICAL:

CONTACT RATING: 50mA @12V DC MAX.  
 CONTACT RESISTANCE: 100mΩ MAX.  
 INSULATION RESISTANCE: 100MΩ MIN. @100V DC.  
 DIALECTRIC STRENGTH: 100V AC FOR 1 MINUTE.  
 LIFE EXPECTANCY: SEE P/N TABLE.

MECHANICAL:

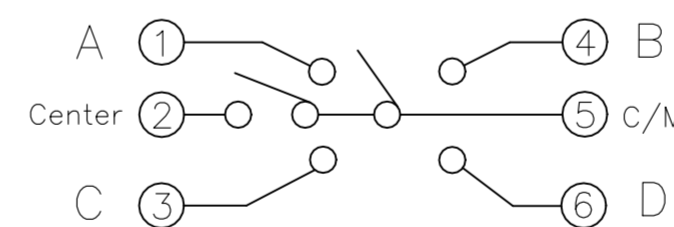
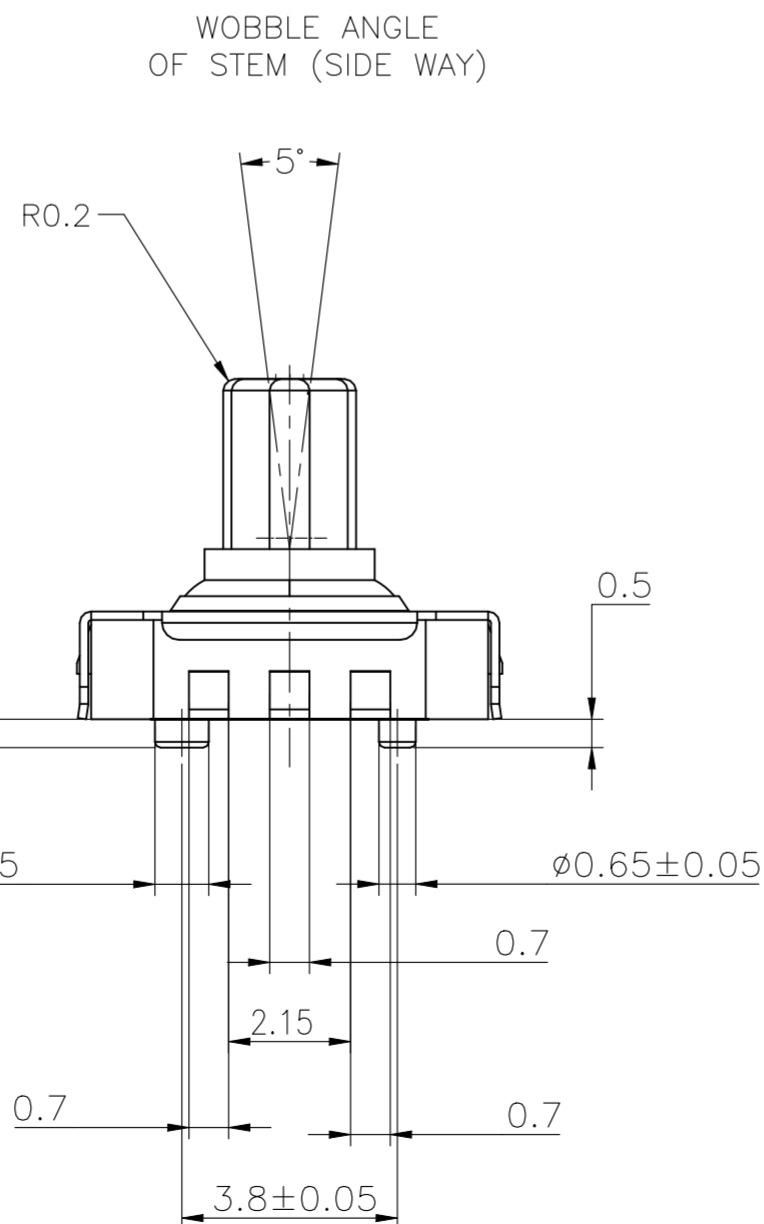
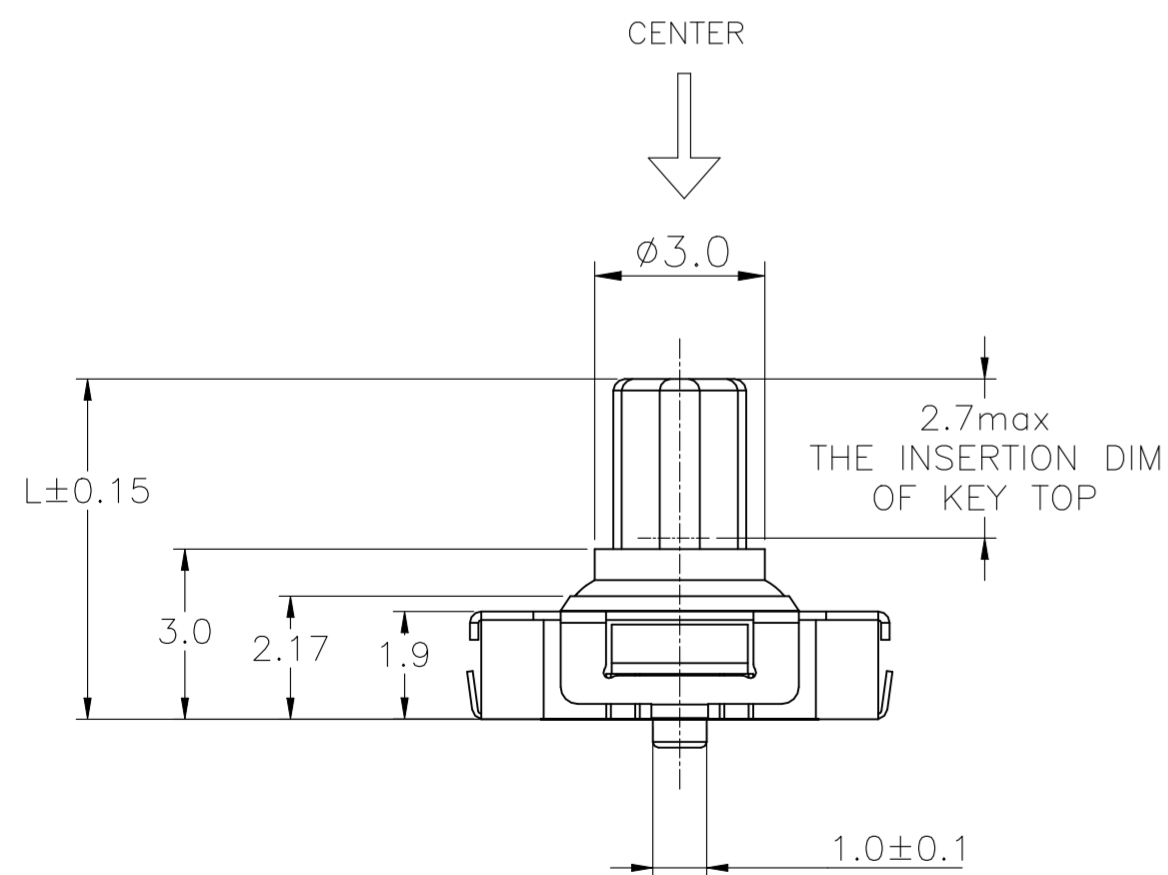
ACTUATOR FORCE: SEE P/N TABLE.  
 ACTUATOR TRAVEL: SEE P/N TABLE.  
 LIFE EXPECTANCY: SEE P/N TABLE.

ENVIRONMENTAL:

OPERATING TEMPERATURE: -40°C TO 85°C.  
 STORAGE TEMPERATURE: -40°C TO 90°C.  
 SOLDERABILITY: REFLOW: FOR PERHEAT 150-200°C. 120±20SEC., PEAK TEMP. 260°C MAX 10 SEC, TEMP. AREA 217°C 90-120°C.

NOTES:

- DIMENSIONS IN MILLIMETERS
- GENERAL TOLERANCE ±0.3mm

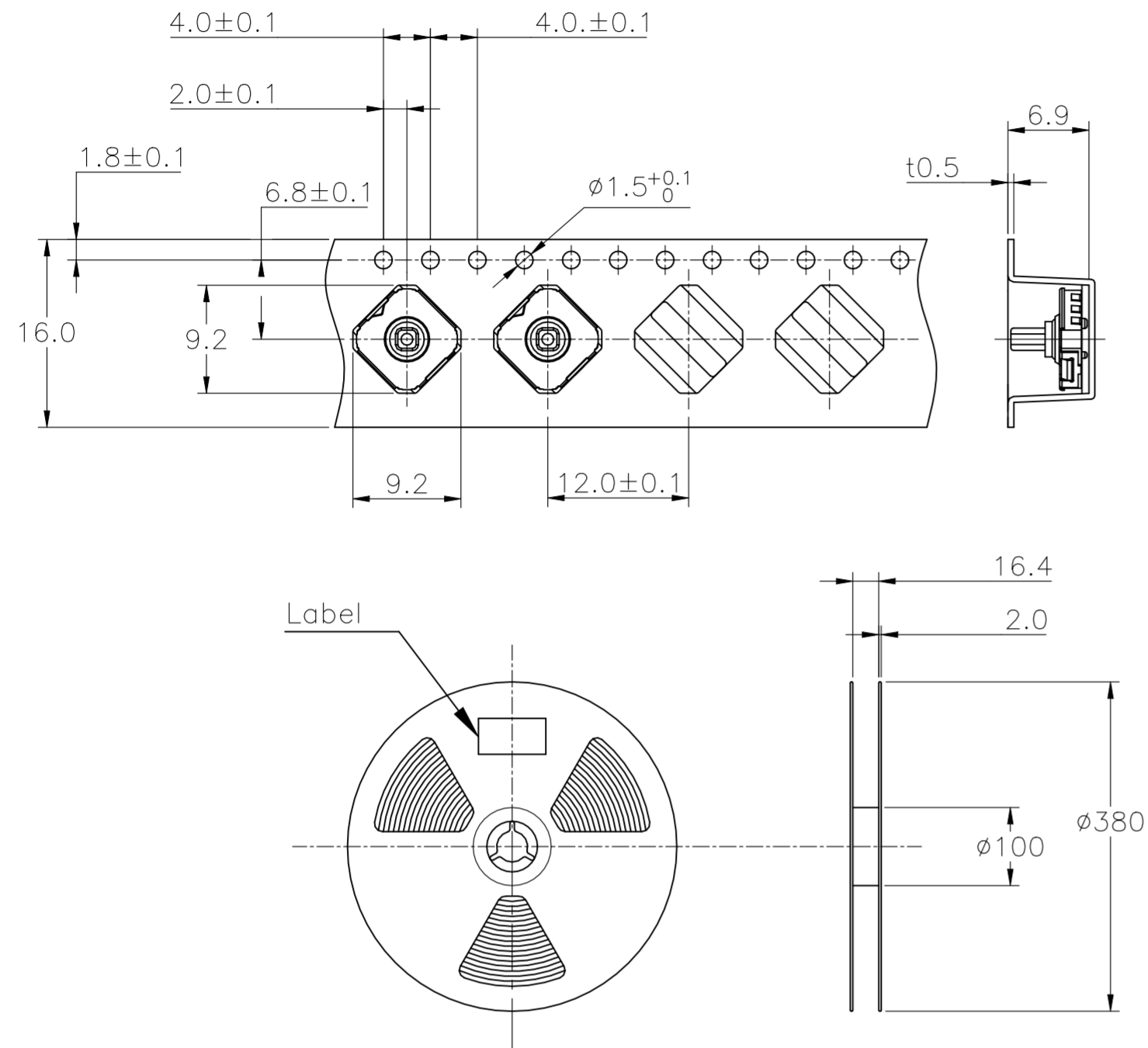


CIRCUIT DIAGRAM

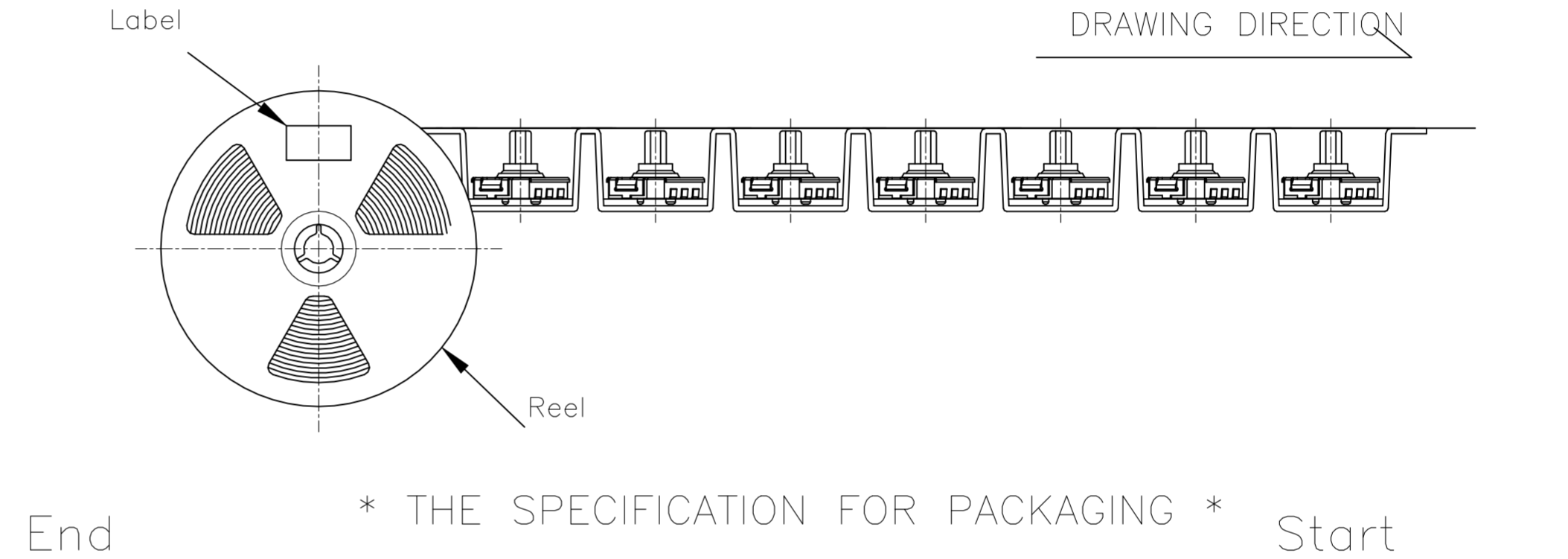
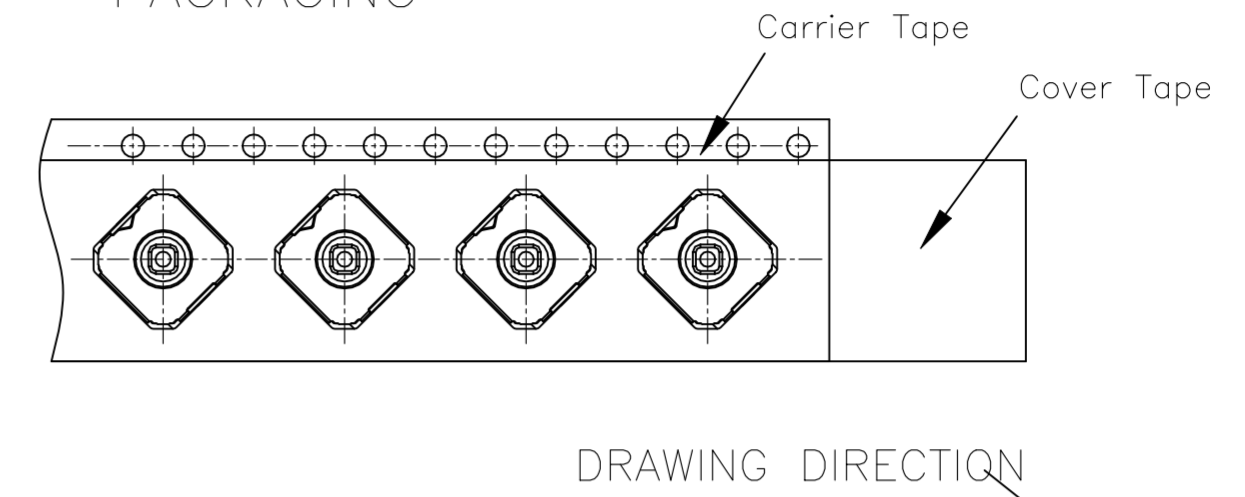
THIS DRAWING IS A CONTROLLED DOCUMENT.		DWN BALAJI, B 09NOV2022		
DIMENSIONS: mm		CHK DAVID MALDONADO 09NOV2022		
TOLERANCES UNLESS OTHERWISE SPECIFIED:		APVD DAVID MALDONADO 09NOV2022	NAME 5 POSITION TACTILE, 7.5X7.5	
0 PLC ± - 1 PLC ± - 2 PLC ± - 3 PLC ± - 4 PLC ± - ANGLES ± -		PRODUCT SPEC -	SIZE A2	
MATERIAL -		FINISH -	CAGE CODE 00779	DRAWING NO C=2434804
		WEIGHT	RESTRICTED TO -	
		CUSTOMER DRAWING		SCALE NTS
		SHEET 1 of 2		REV A

REVISIONS					
P	LTR	DESCRIPTION	DATE	DWN	APVD
-	-	SEE SHEET 1	-	-	-

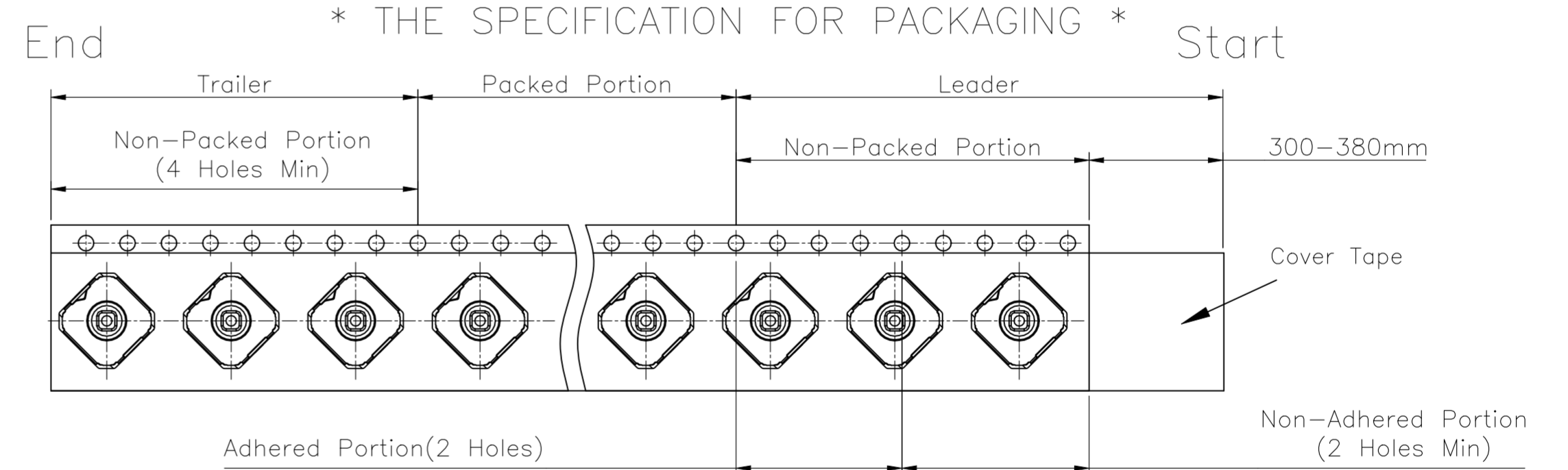
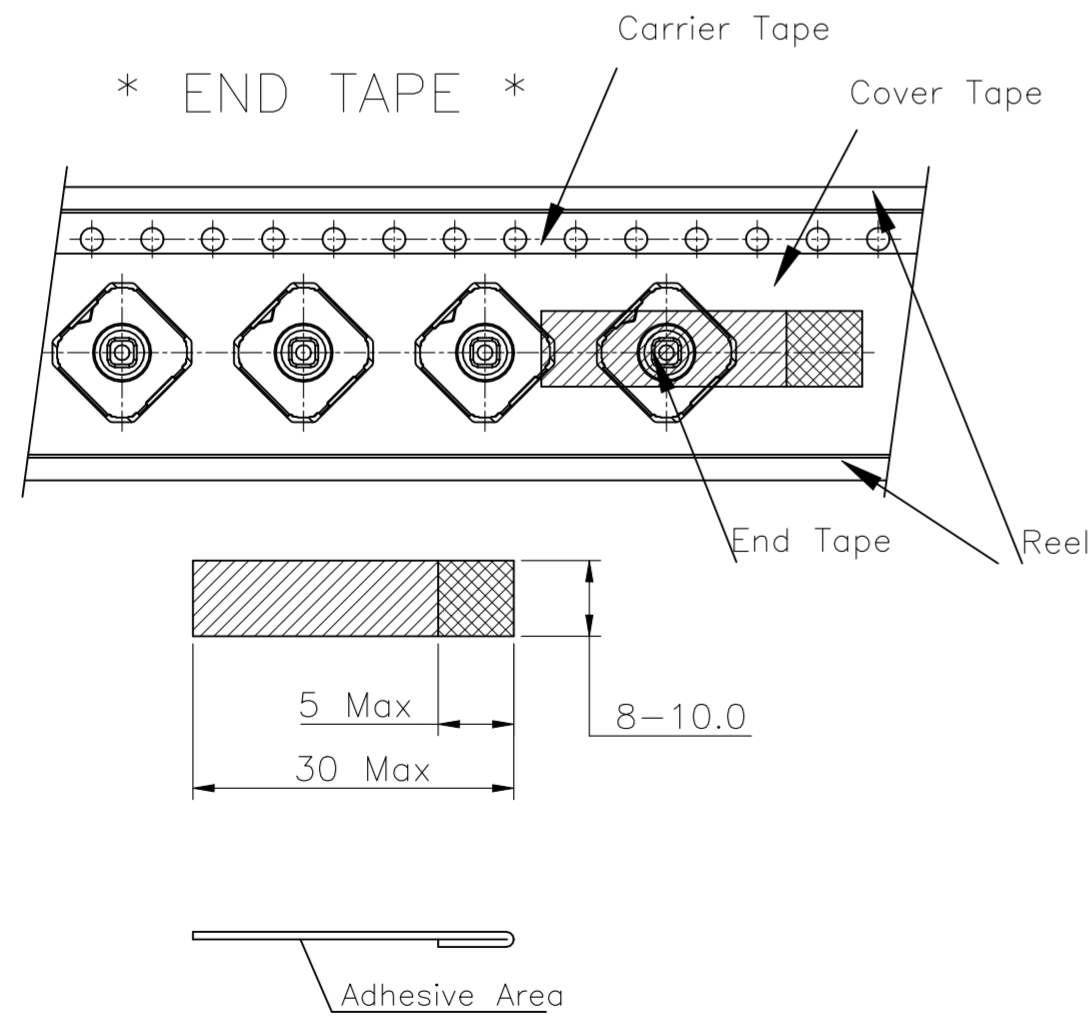
\* THE DIMENSION OF CARRIER TAPE, COVER TAPE AND REEL \*



\* THE SPECIFICATION FOR PACKAGING \*



\* END TAPE \*



- NOTE
- 1,000 PCS SWITCHES PER 1 REEL
  - GENERAL TOLERANCE : 0.2mm

THIS DRAWING IS A CONTROLLED DOCUMENT.		DWN BALAJI, B 09NOV2022																				
DIMENSIONS: mm		CHK DAVID MALDONADO 09NOV2022																				
TOLERANCES UNLESS OTHERWISE SPECIFIED:		APVD DAVID MALDONADO 09NOV2022	NAME 5 POSITION TACTILE, 7.5X7.5																			
<table border="1"> <tr><td>0 PLC</td><td>±</td><td>-</td></tr> <tr><td>1 PLC</td><td>±</td><td>-</td></tr> <tr><td>2 PLC</td><td>±</td><td>-</td></tr> <tr><td>3 PLC</td><td>±</td><td>-</td></tr> <tr><td>4 PLC</td><td>±</td><td>-</td></tr> <tr><td>ANGLES</td><td>±</td><td>-</td></tr> </table>		0 PLC	±	-	1 PLC	±	-	2 PLC	±	-	3 PLC	±	-	4 PLC	±	-	ANGLES	±	-	PRODUCT SPEC -	SIZE A2	CAGE CODE 00779
0 PLC	±	-																				
1 PLC	±	-																				
2 PLC	±	-																				
3 PLC	±	-																				
4 PLC	±	-																				
ANGLES	±	-																				
MATERIAL -		FINISH -	WEIGHT -	DRAWING NO C=2434804																		
CUSTOMER DRAWING			SCALE NTS	SHEET 2 OF 2																		
			RESTRICTED TO -	REV A																		

## X-ON Electronics

Largest Supplier of Electrical and Electronic Components

*Click to view similar products for [Tactile Switches](#) category:*

*Click to view products by [TE Connectivity](#) manufacturer:*

Other Similar products are found below :

[6407-250V-25273P](#) [ADTSA62NV](#) [B3F-3123](#) [1977177-8](#) [1977266-1](#) [ADTSA63NV](#) [ADTSM21NSVTR](#) [ADTSM25RVTR](#) [ADTSM32NVTR](#)  
[ADTSMW64RV](#) [1977120-6](#) [FSMRA4JHA04](#) [GS4.70F300QP](#) [KSC241J SP DELTA LFS](#) [3FTL600RAS](#) [3FTL640RAS](#) [Y96K132V0FPLFS](#)  
[09158](#) [6407-250V-25343P](#) [ADTSM31NVTR](#) [2-1977120-7](#) [TSJW-5.2-260-TR](#) [TME1-01-Z](#) [Y651050400P](#) [KMT011MNGJLHS](#)  
[ADTSG648NV](#) [ADTSM62KSVTR](#) [MJTP1138DTR](#) [ADTSM648NV](#) [95C06E3RAT](#) [3ATH9Q](#) [FSMRA8JHA04](#) [HARS0073](#)  
[Y33R411N9FPLFT](#) [Y33R51139FPLFT](#) [Y31C01402FPLFS](#) [PTS645SK50SMTR92](#) [ADTSM32NVB](#) [KMS233GPWTFLFG](#) [Y78B64124FP](#)  
[Y33A812C5FP LFT](#) [Y56B2D120FP LFS](#) [PTS645 DVM83-BN125-2 LFS](#) [B3W 1000G](#) [B3F 1002C](#) [B3F 0047H](#) [B3W 1002C](#) [B3F 5001G](#)  
[B3W 1100C](#) [1-1571563-4](#)