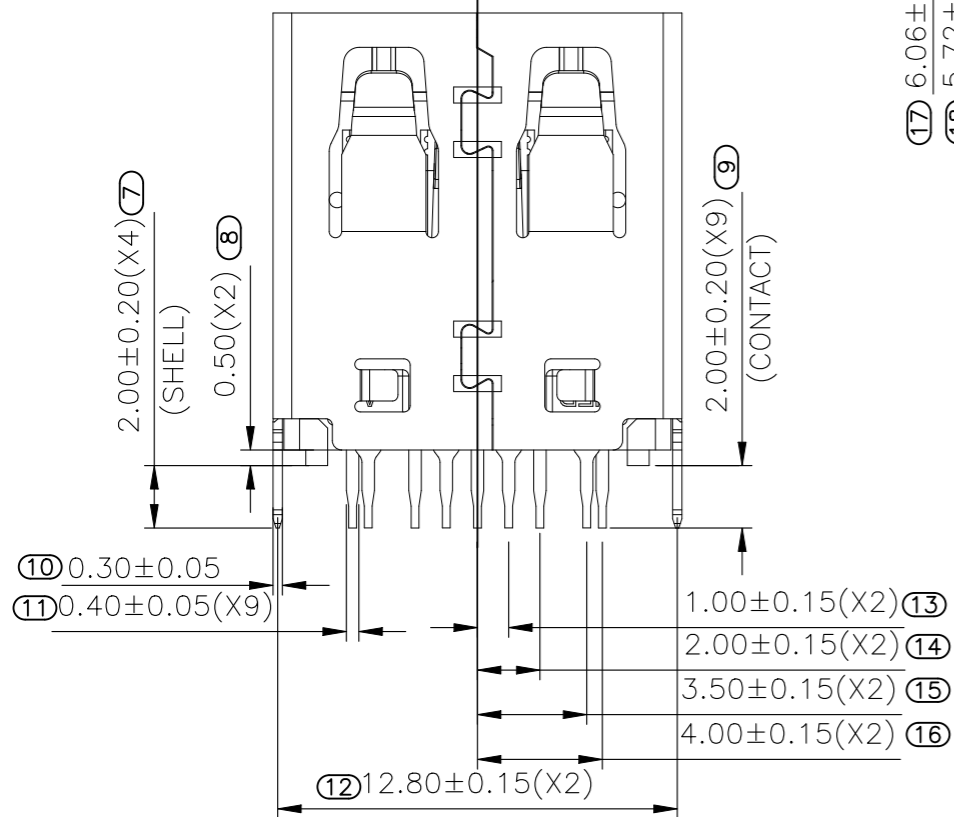
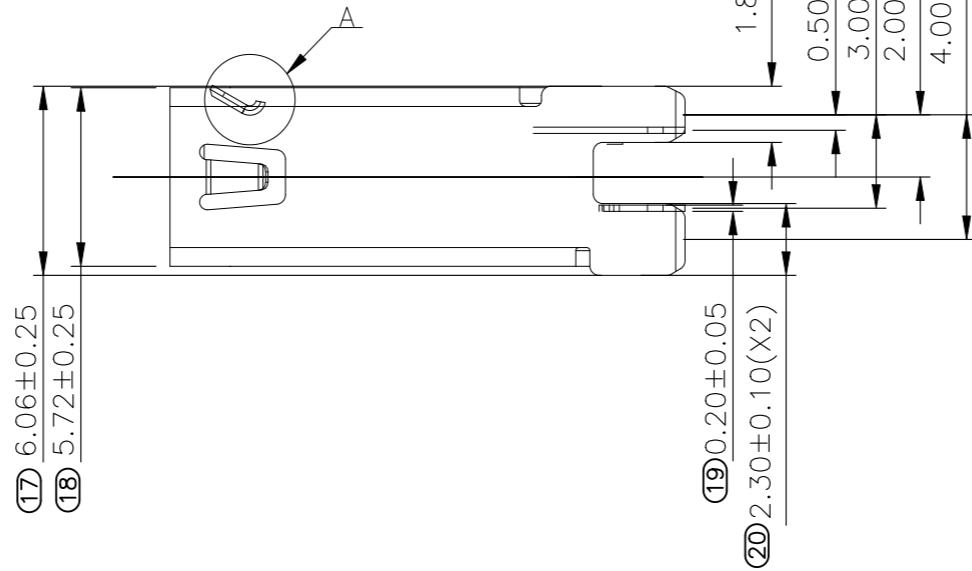
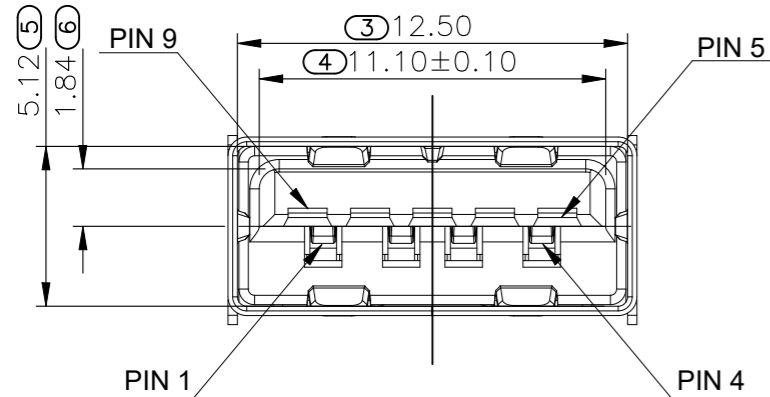
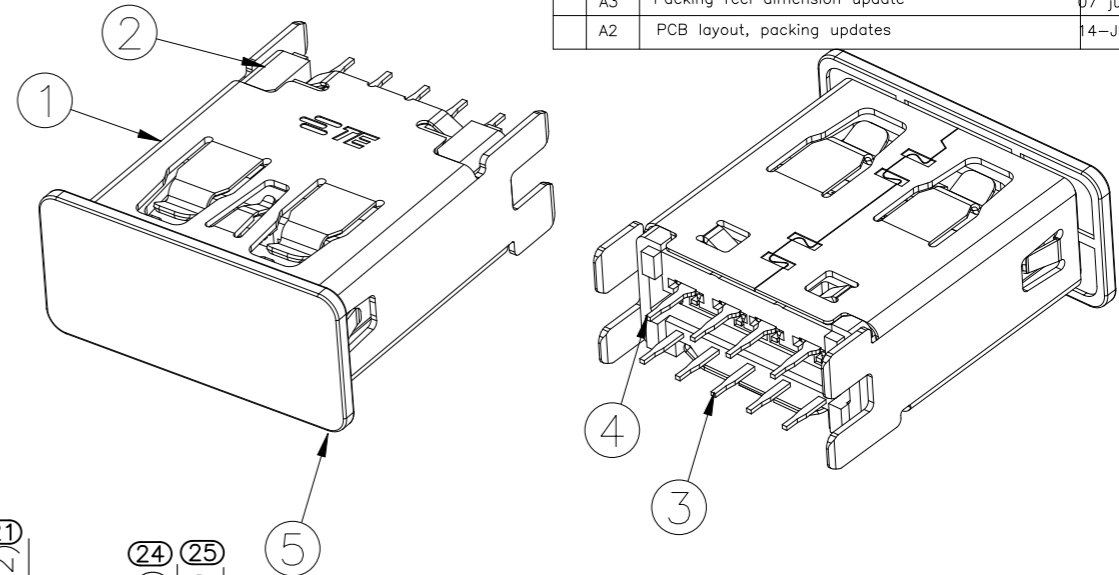
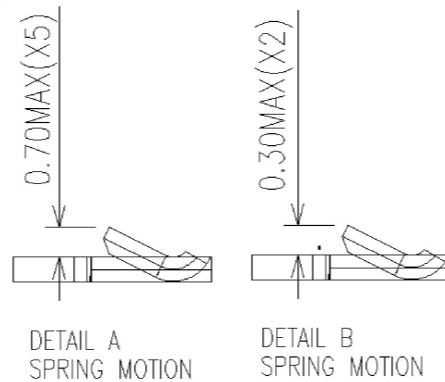
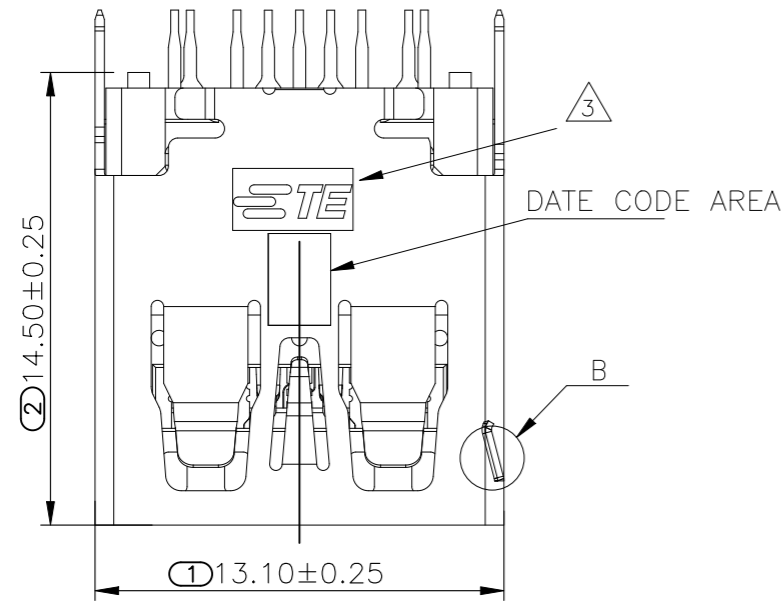


| REVISIONS | | | | | |
|-----------|-----|-----------------------------------|------------|-----|------|
| P | LTR | DESCRIPTION | DATE | DWN | APVD |
| A4 | | Production release, ECN-23-223404 | 21 JULY 23 | GVA | DS |
| A3 | | Packing reel dimension update | 07 JULY 23 | GVA | DS |
| A2 | | PCB layout, packing updates | 14-JUN-23 | GVA | DS |



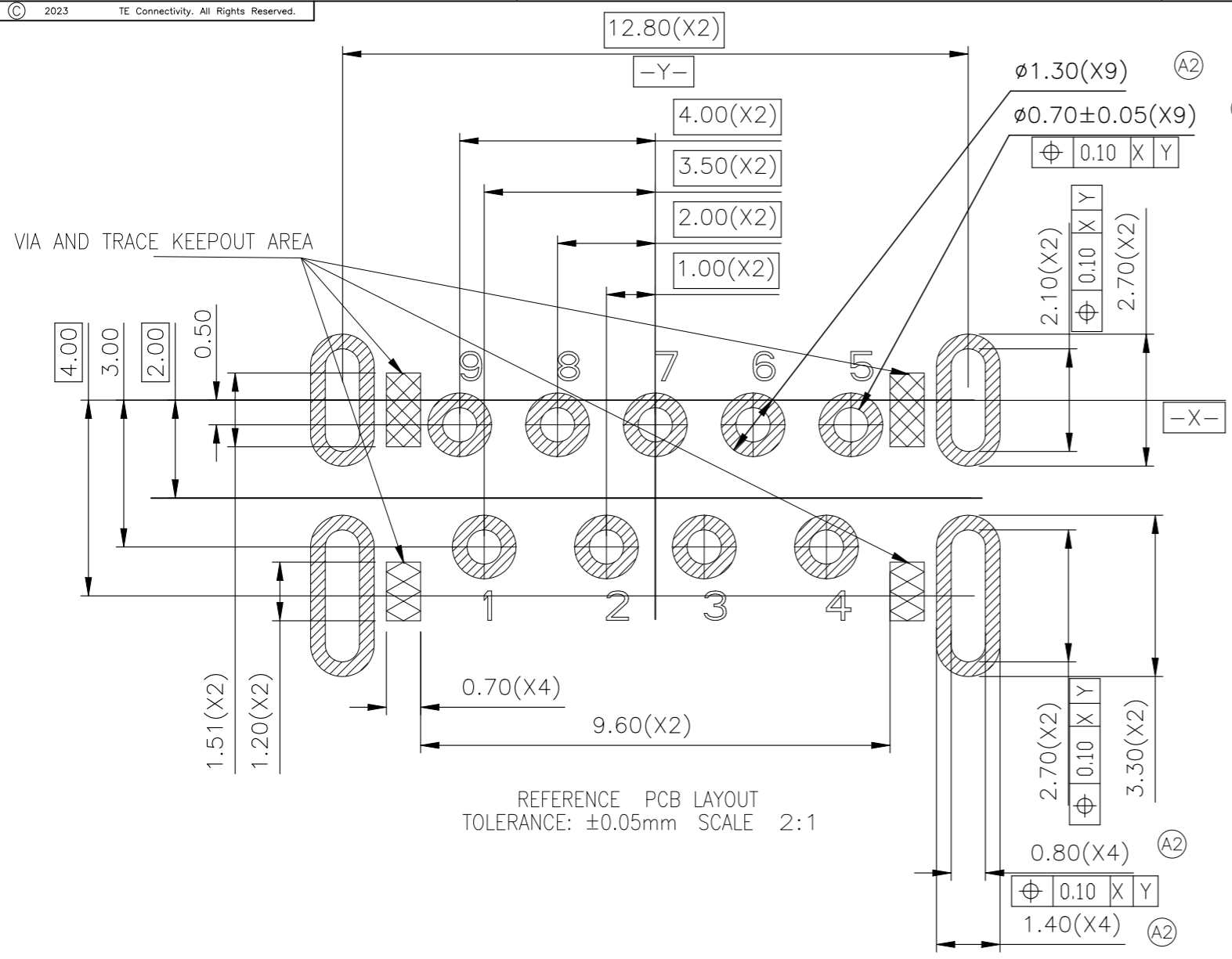
| ITEM | NAME | Q'TY | MATERIAL / FINISH |
|------|----------------|------|-----------------------------------|
| 5 | CAP | 1 | LCP,THERMOPLASTIC/UL 94V-0 RATED |
| 4 | SPRING CONTACT | 4 | COPPER ALLOY / Au PLATED |
| 3 | FLAT CONTACT | 5 | COPPER ALLOY / Au PLATED |
| 2 | HOUSING | 1 | PA9T,THERMOPLASTIC/UL 94V-0 RATED |
| 1 | SHELL | 1 | METAL / Ni PLATED |

| S/N | TE PN | DESCRIPTION | HOUSING COLOR | SHIELD TYPE | CONTACT PLATING (Au) |
|-----|-----------|-----------------------|---------------|--------------|----------------------|
| 1 | 2438987-1 | USB 3.1 A TYPE REC.VT | BLACK | STRAIGHT LEG | 6F |
| 2 | 2438987-2 | USB 3.1 A TYPE REC.VT | BLACK | STRAIGHT LEG | 15u" |
| 3 | 2438987-3 | USB 3.1 A TYPE REC.VT | BLACK | STRAIGHT LEG | 30u" |

THIS DRAWING IS A CONTROLLED DOCUMENT.

| | | | |
|--|--------------|--|----------------------|
| DWN: GVA | 17_MAY-2023 | | TE Connectivity Ltd. |
| CHK: DS | 18_MAY-2023 | | |
| APVD: WH | 19_MAY-2023 | | |
| DIMENSIONS: mm | | NAME: VERT USB 3.2, TYP A(Shield leg solder) | |
| TOLERANCES UNLESS OTHERWISE SPECIFIED: | | PRODUCT SPEC: 108-160961 | |
| 0 PLC ± 0.38 | 1 PLC ± 0.30 | APPLICATION SPEC: - | |
| 2 PLC ± 0.20 | 3 PLC ± 0.10 | SIZE: A2 | CAGE CODE: 00779 |
| 4 PLC ± - | ANGLES ± 3 | DRAWING NO: C=2438987 | RESTRICTED TO: - |
| MATERIAL: - | FINISH: - | WEIGHT: 0 | SCALE: NTS |
| CUSTOMER DRAWING | | SHEET: 1 of 3 | REV: A4 |

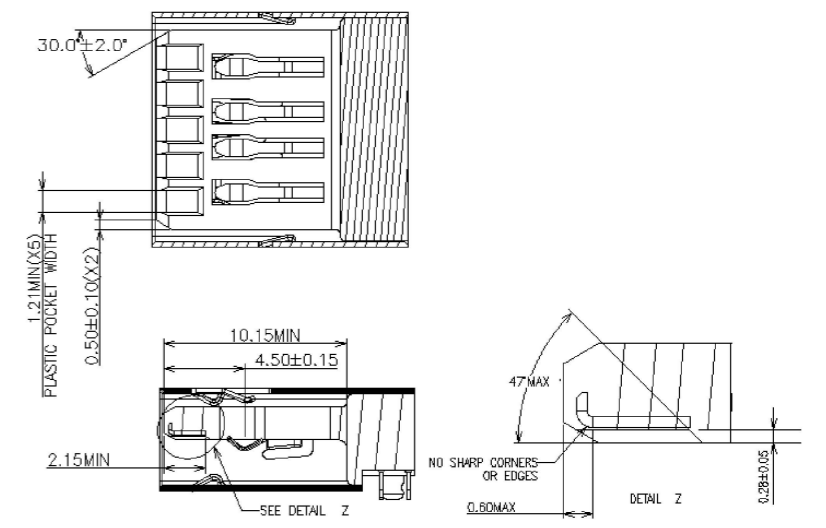
| REVISIONS | | | | |
|-----------|-----|-------------|------|------|
| P | LTR | DESCRIPTION | DATE | APVD |
| - | | SEE SHEET 1 | - | - |



REFERENCE PCB LAYOUT
TOLERANCE: ±0.05mm SCALE 2:1

- NOTES:
- 1. MATERIAL:
 - 1.1 HOUSING PA9T UL94 V-0 RATED;COLOR BLACK
 - 1.2 COVER: LCP UL94 V-0 RATED;COLOR BLACK
 - 1.3 CONTACT: BRASS&PHOS BRONZE
 - 1.4 SHELL: STAINLESS STEEL SHIELD TYPE STRAIGHT LEG FINISH
 - 2.1 CONTACT:
 - GOLD PLATING(SEE TABLE) ON CONTACT AREA.
 - 2.54um [100u"] MIN. MATTE-TIN PALTING ON SOLDER TAIL AREA.
 - 1.27um [50u"] MIN. NICKEL UNDERPLATING OVERALL.
 - 2.2 SHELL: 1.27um [50u"] MIN. NICKEL PLATING.
 - 3. RECOMMENDED P.C.B THICKNESS : 1.2

Universal Serial Usb3.1 Specification



- NOTES:
- 1.0. ELECTRICAL CHARACTERISTIC:
 - 1.1. LOW LEVEL CONTACT RESISTANCE: INITIAL: 30 mΩ MAXIMUM FOR POWER AND GROUND CONTACTS. INITIAL: 50 mΩ MAXIMUM AFTER: 10 mΩ MAXIMUM CHANGE. FOR ALL OTHER CONTACTS.
 - 1.2. DIELECTIC WITHSTANDING VOLTAGE: 100 VAC FOR ONE MINUTE AT SEA LEVEL.
 - 1.3. INSULATION RESISTANCE: 100 MΩ MINIMUM.
 - 2.0. MECHANICAL CHARACTERISTIC:
 - 2.1. INSERTION FORCE: 35N (3.57 Kg) MAXIMUM.
 - 2.2. EXTRACTION FORCE: INITIAL:10N (1.02Kg) MINIMUM. AFTER:8N (0.816Kg) MINIMUM.
 - 3 TE LOGO MUST BE CLEAR&LEGIBLE

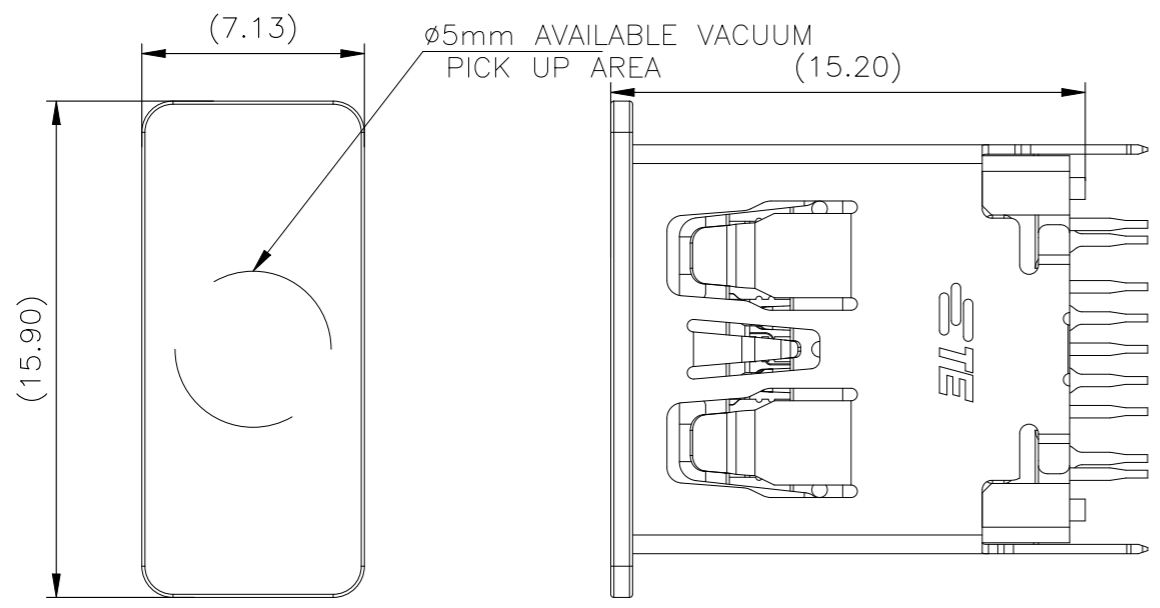


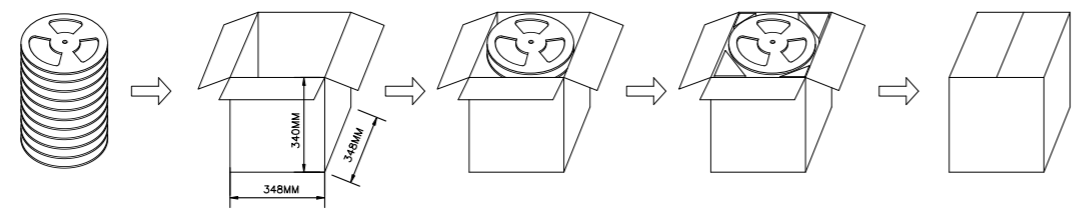
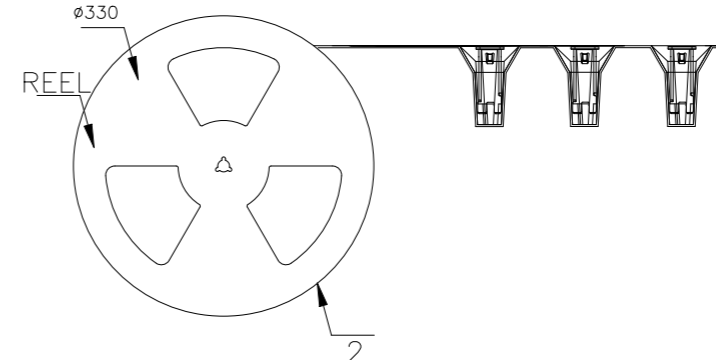
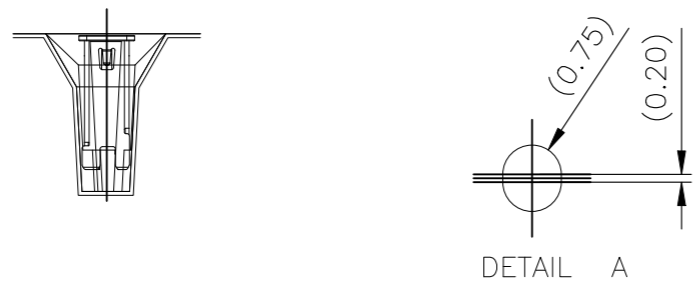
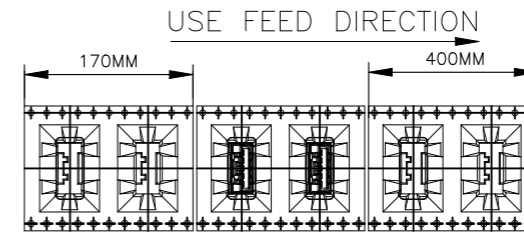
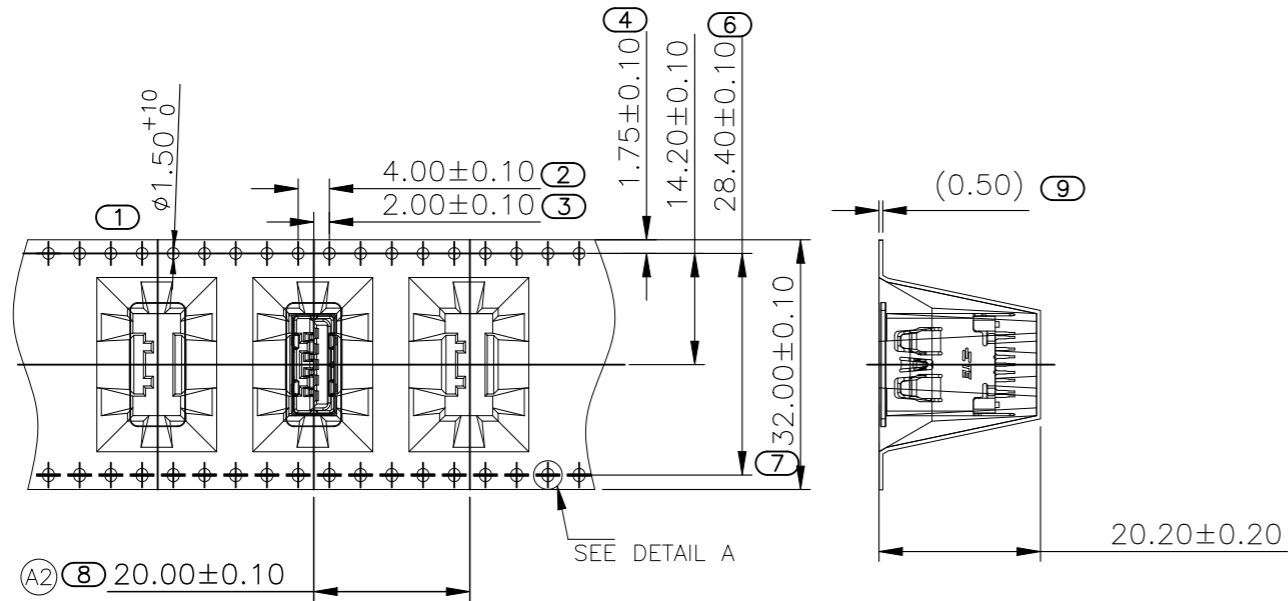
TABLE A: PIN ASSIGNMENT

| PIN NO | 1 | 2 | 3 | 4 | 5 | 6 | 7 | 8 | 9 |
|-------------|---------------------|----|----|-----|---------------------|------------|-----|------------|------------|
| SIGNAL NAME | VBUS | D- | D+ | GND | STDA_SSRX- | STDA_SSRX+ | GND | STDA_SSTX- | STDA_SSTX+ |
| REMARK | USB 2.0 CONTACT PIN | | | | USB 3.0 CONTACT PIN | | | | |

| | | | | | |
|---|--|------------------|-------------|-----|--|
| THIS DRAWING IS A CONTROLLED DOCUMENT. | | DWN | 17-MAY-2023 | | TE Connectivity Ltd. |
| DIMENSIONS: mm | | CHK | 18-MAY-2023 | | |
| TOLERANCES UNLESS OTHERWISE SPECIFIED: | | DS | 19-MAY-2023 | | |
| 0 PLC ± 0.38 1 PLC ± 0.30 2 PLC ± 0.20 3 PLC ± 0.10 4 PLC ± - ANGLES ± 3 | | APVD | 19-MAY-2023 | | NAME |
| | | WH | 19-MAY-2023 | | VERT USB 3.2, TYP A(Shield leg solder) |
| MATERIAL | | PRODUCT SPEC | 108-160961 | | - |
| FINISH | | APPLICATION SPEC | - | | - |
| - | | WEIGHT | 0 | | SIZE |
| - | | CUSTOMER DRAWING | | | A2 |
| | | CAGE CODE | 00779 | | DRAWING NO |
| | | C=2438987 | | | RESTRICTED TO |
| | | SCALE | NTS | | SHEET |
| | | 2 of 3 | | REV | A4 |

2438987

| REVISIONS | | | | | |
|-----------|-----|-------------|------|-----|------|
| P | LTR | DESCRIPTION | DATE | DWN | APVD |
| - | - | SEE SHEET 1 | - | - | - |



PACKAGING PROCESS

- NOTES :
- PACKAGING MATERIAL IN PLASTIC, RUBBER, INK, PIGMENT AND PAINT MUST MEET CONTROLLED SUBSTANCES SPEC PER 230-702.
 - * CADMIUM AND CADMIUM COMPOUNDS NOT TO EXCEED: 5 PPM.
 - * LEAD, CADMIUM, CHROM VI AND MERCURY NOT TO EXCEED: 100 PPM (COMBINED).
 - * CARRIER TAPES, COVER TAPES, REELS AND TAPED COMPONENTS MUST MEET THE REQUIREMENTS DEFINED PER EIA-481-C.
 - MATERIAL :
 - COVER TAPE : PET, COLOR: TRANSPARENT
 - CARRIER TAPE : SYNTHETIC MATERIALS, COLOR: BLACK
 - REEL :PS BLUE
 - SHIPPING BOX: CORRUGATED FIBER

| (A2) | | | | | |
|--------------|------------|-----------|-----------|----------|-------------|
| GROSS WEIGHT | NET WEIGHT | PCS/ REEL | REEL/ BOX | PCS/ BOX | PART NUMBER |
| 5.60KG | 2.26KG | 150 | 8 | 1200 | 2438987-1 |
| 5.60KG | 2.26KG | 150 | 8 | 1200 | 2438987-2 |
| 5.60KG | 2.26KG | 150 | 8 | 1200 | 2438987-3 |

| | | | | | |
|--|--|--|---|--|--|
| THIS DRAWING IS A CONTROLLED DOCUMENT. | | DWN GVA 17-MAY-2023 | TE Connectivity Ltd. | | |
| | | CHK DS 18-MAY-2023 | | | |
| | | APVD WH 19-MAY-2023 | NAME VERT USB 3.2, TYP A(Shield leg solder) | | |
| DIMENSIONS: mm | | TOLERANCES UNLESS OTHERWISE SPECIFIED: | PRODUCT SPEC 108-160961 | | |
| | | 0 PLC ± 0.38 | APPLICATION SPEC | | |
| | | 1 PLC ± 0.30 | SIZE A2 | | |
| | | 2 PLC ± 0.20 | CAGE CODE 00779 | | |
| | | 3 PLC ± 0.10 | DRAWING NO C=2438987 | | |
| | | 4 PLC ± - | RESTRICTED TO - | | |
| | | ANGLES ± 3 | SCALE NTS | | |
| MATERIAL - | | FINISH - | SHEET 3 of 3 | | |
| | | | REV A4 | | |
| | | | CUSTOMER DRAWING | | |

X-ON Electronics

Largest Supplier of Electrical and Electronic Components

Click to view similar products for [USB Connectors](#) category:

Click to view products by [TE Connectivity](#) manufacturer:

Other Similar products are found below :

[950](#) [A-USB A-LP-SMT-C](#) [A-USB B-TOP-C](#) [MUSBD11135](#) [17-200721](#) [217450-1](#) [KMBVX-TH-5S-B30](#) [KUSBX-AS2N-W](#) [KUSBX-SMT2AP1S-W30](#) [935](#) [957](#) [30-498-6](#) [SK-60A-2](#) [1734082-1](#) [30-470](#) [30-489](#) [30-541](#) [MIKROE-1451](#) [USBFTVSCCG](#) [1-1734084-2](#)
[10135326-001LF](#) [USB3FTV7APEG](#) [4198](#) [1310-1023-02](#) [690-024-633-031](#) [UB-20PMFP-LC7001](#) [17-200011](#) [UB-20AFMM-LL7A01](#)
[1040870124](#) [CAP-WCCMLPB1](#) [2274475-3](#) [UB-20BMFA-SL8001](#) [UB-20BFM-SA7A02](#) [UB-20BFM-SA7A05](#) [914-614A2025S10200](#)
[MUSBR-AHD2-M41-SK](#) [ZX40-B-5S-1500-STDA\(30\)](#) [GSB3116344HR](#) [USB3FTV2SAZNF459](#) [USBF21GSCC](#) [U221-041N-1WVS62-F5D](#)
[HYCW153-USBD05-500B](#) [HYCW219-USBD05-075B](#) [HYCW148-USBD05-117B](#) [HYCW149-USBD05-740B](#) [HYCW204-USBD05-108B](#)
[HYCW214-USBA04-113B](#) [HYCW213-USBA04-113B](#) [UB-20AMFM-SL7A01](#) [KMMX-BSMT35S-1-B30TR](#)