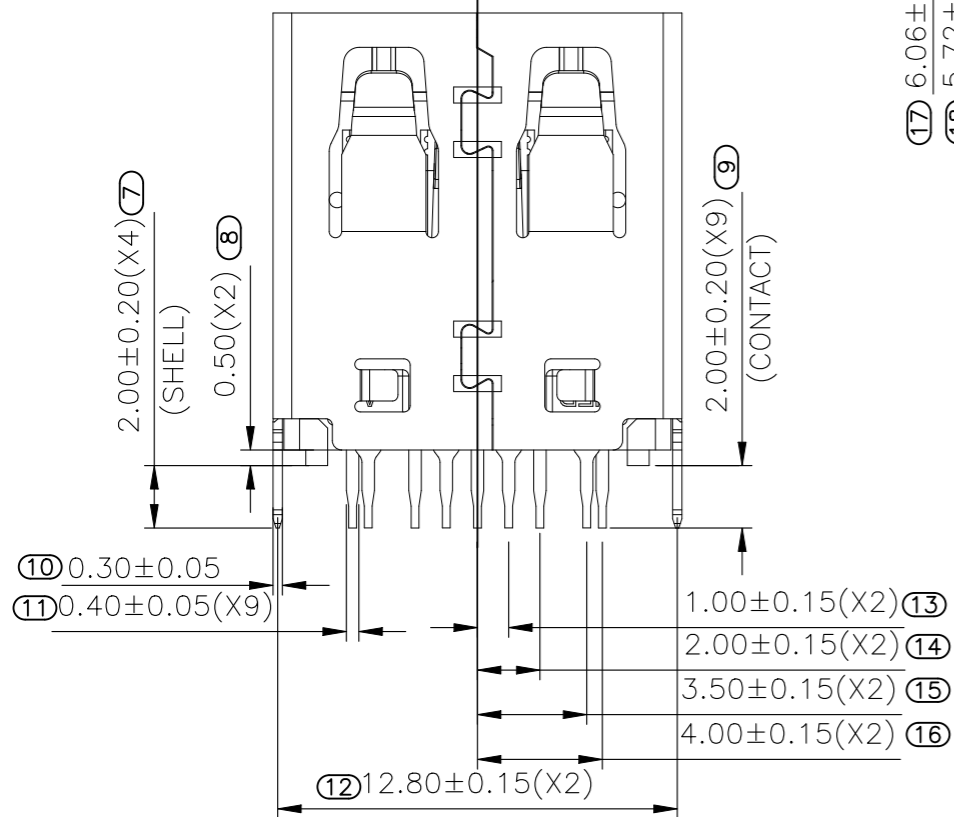
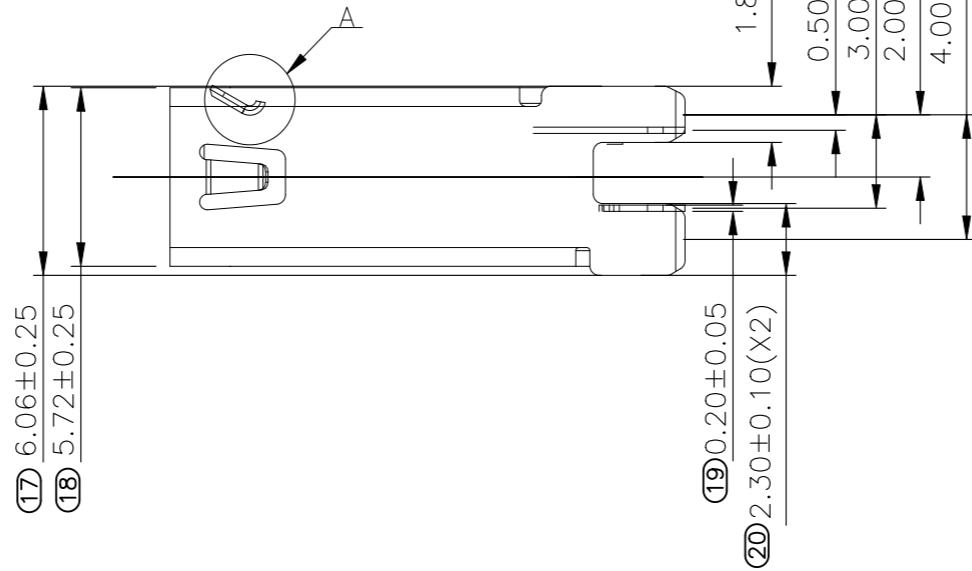
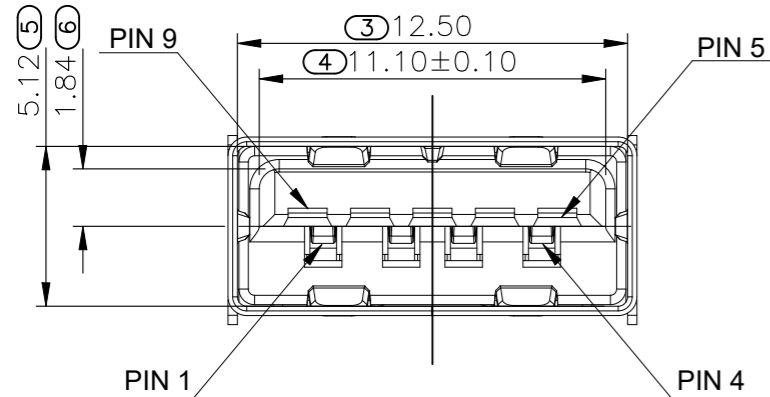
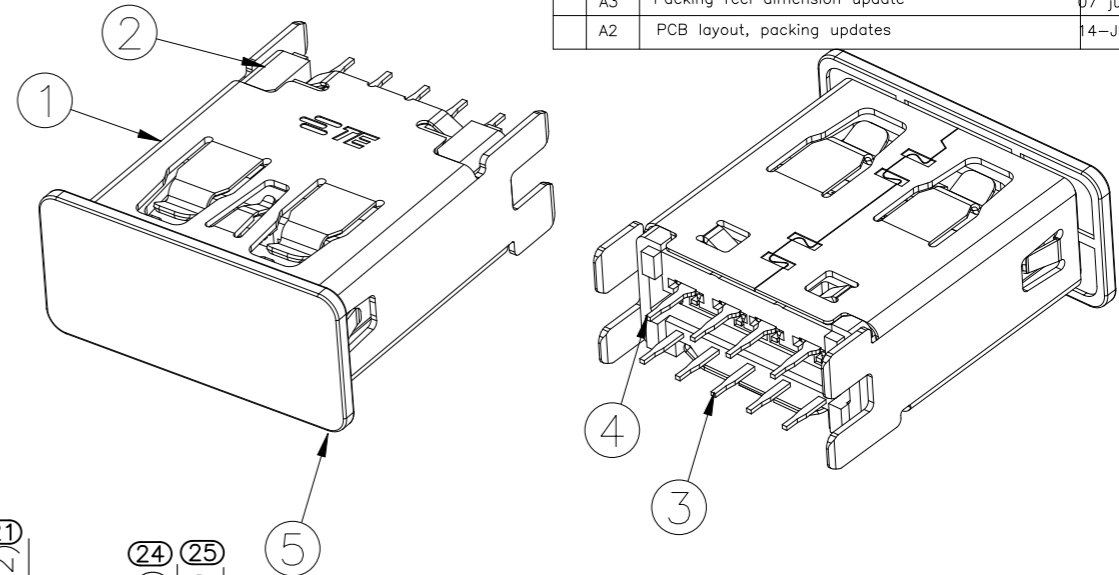
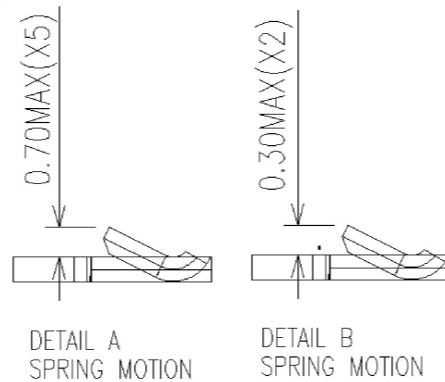
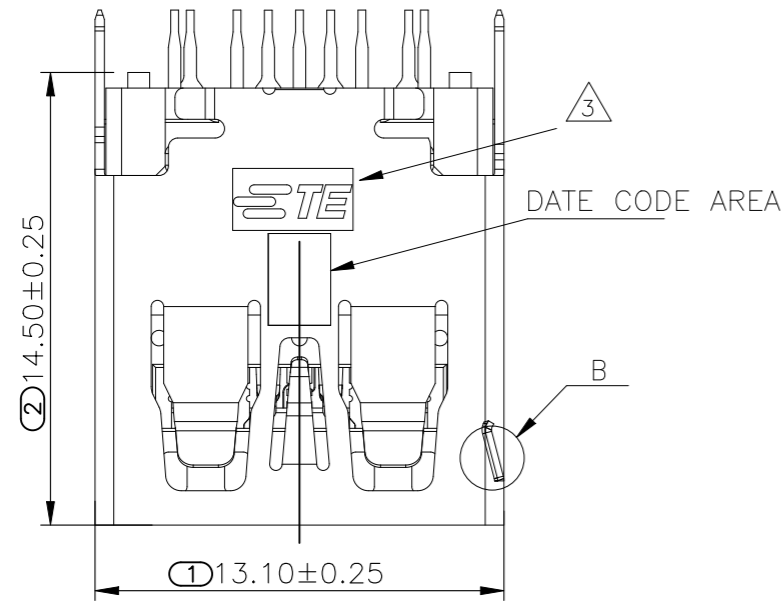


REVISIONS					
P	LTR	DESCRIPTION	DATE	DWN	APVD
A4		Production release, ECN-23-223404	21 JULY 23	GVA	DS
A3		Packing reel dimension update	07 JULY 23	GVA	DS
A2		PCB layout, packing updates	14-JUN-23	GVA	DS



ITEM	NAME	Q'TY	MATERIAL / FINISH
5	CAP	1	LCP,THERMOPLASTIC/UL 94V-0 RATED
4	SPRING CONTACT	4	COPPER ALLOY / Au PLATED
3	FLAT CONTACT	5	COPPER ALLOY / Au PLATED
2	HOUSING	1	PA9T,THERMOPLASTIC/UL 94V-0 RATED
1	SHELL	1	METAL / Ni PLATED

S/N	TE PN	DESCRIPTION	HOUSING COLOR	SHIELD TYPE	CONTACT PLATING (Au)
1	2438987-1	USB 3.1 A TYPE REC.VT	BLACK	STRAIGHT LEG	6F
2	2438987-2	USB 3.1 A TYPE REC.VT	BLACK	STRAIGHT LEG	15u"
3	2438987-3	USB 3.1 A TYPE REC.VT	BLACK	STRAIGHT LEG	30u"

THIS DRAWING IS A CONTROLLED DOCUMENT.

DWN: GVA 17_MAY-2023
 CHK: DS 18_MAY-2023
 APVD: WH 19_MAY-2023

TE Connectivity Ltd.

NAME: VERT USB 3.2, TYP A(Shield leg solder)

PRODUCT SPEC: 108-160961

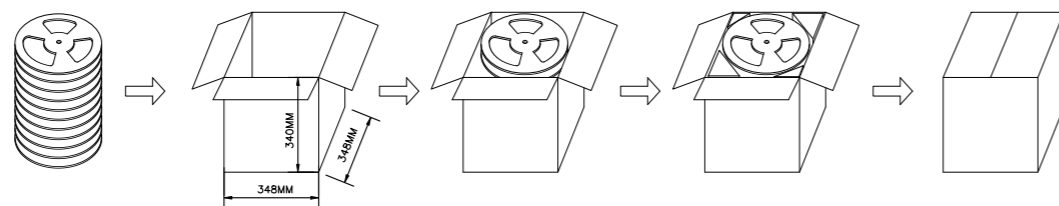
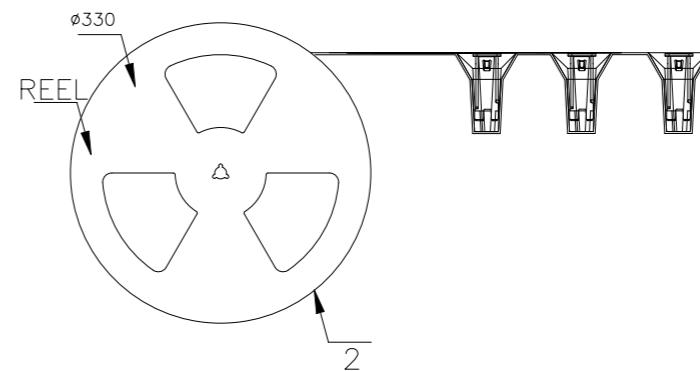
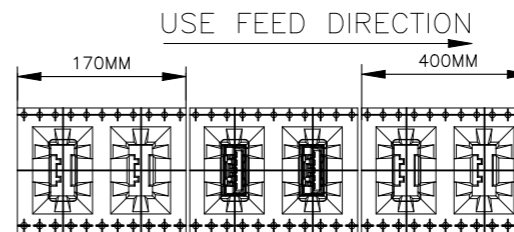
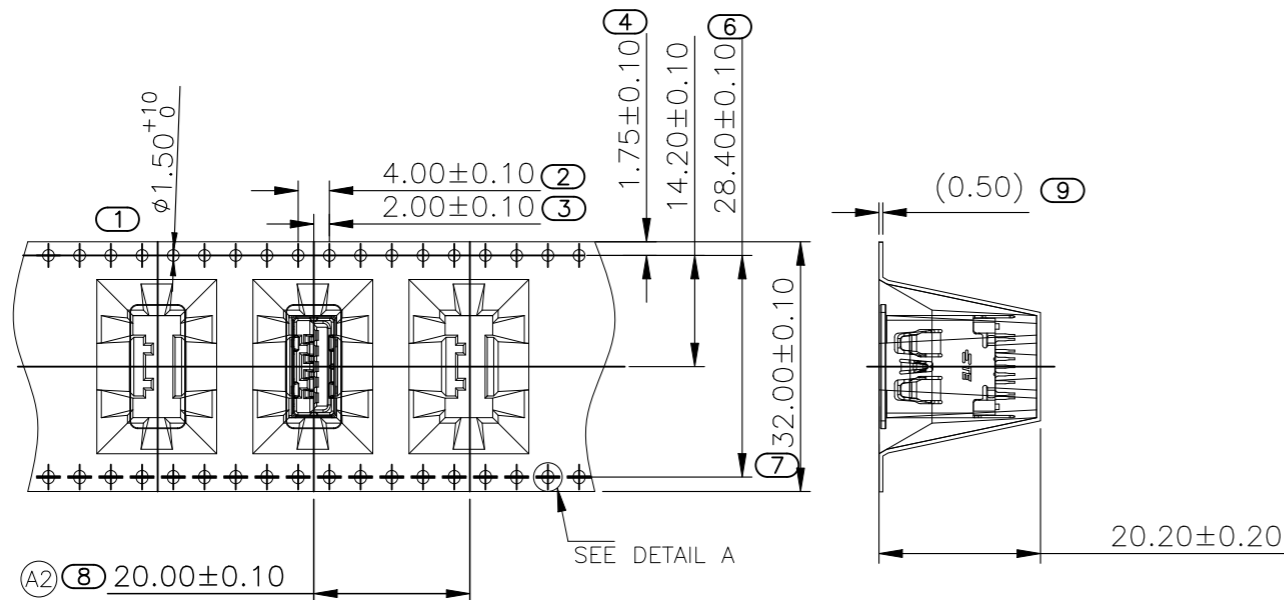
APPLICATION SPEC: -

SIZE: A2 CAGE CODE: 00779 DRAWING NO: C=2438987 RESTRICTED TO: -

MATERIAL: - FINISH: - WEIGHT: 0

CUSTOMER DRAWING SCALE: NTS SHEET: 1 OF 3 REV: A4

REVISIONS					
P	LTR	DESCRIPTION	DATE	DWN	APVD
-	-	SEE SHEET 1	-	-	-



PACKAGING PROCESS

- NOTES :
- PACKAGING MATERIAL IN PLASTIC, RUBBER, INK, PIGMENT AND PAINT MUST MEET CONTROLLED SUBSTANCES SPEC PER 230-702.
 - * CADMIUM AND CADMIUM COMPOUNDS NOT TO EXCEED: 5 PPM.
 - * LEAD, CADMIUM, CHROM VI AND MERCURY NOT TO EXCEED: 100 PPM (COMBINED).
 - * CARRIER TAPES, COVER TAPES, REELS AND TAPED COMPONENTS MUST MEET THE REQUIREMENTS DEFINED PER EIA-481-C.
 - MATERIAL :
 - COVER TAPE : PET, COLOR: TRANSPARENT
 - CARRIER TAPE : SYNTHETIC MATERIALS, COLOR: BLACK
 - REEL :PS BLUE
 - SHIPPING BOX: CORRUGATED FIBER

(A2)					
GROSS WEIGHT	NET WEIGHT	PCS/ REEL	REEL/ BOX	PCS/ BOX	PART NUMBER
5.60KG	2.26KG	150	8	1200	2438987-1
5.60KG	2.26KG	150	8	1200	2438987-2
5.60KG	2.26KG	150	8	1200	2438987-3

THIS DRAWING IS A CONTROLLED DOCUMENT.		DWN GVA 17-MAY-2023	TE Connectivity Ltd.		
		CHK DS 18-MAY-2023			
		APVD WH 19-MAY-2023	NAME VERT USB 3.2, TYP A(Shield leg solder)		
DIMENSIONS: mm		TOLERANCES UNLESS OTHERWISE SPECIFIED:	PRODUCT SPEC 108-160961		
		0 PLC ± 0.38	APPLICATION SPEC		
		1 PLC ± 0.30	SIZE A2		
		2 PLC ± 0.20	CAGE CODE 00779		
		3 PLC ± 0.10	DRAWING NO C=2438987		
		4 PLC ± -	RESTRICTED TO -		
		ANGLES ± 3	SCALE NTS		
MATERIAL -		FINISH -	SHEET 3 of 3		
			REV A4		
			CUSTOMER DRAWING		

X-ON Electronics

Largest Supplier of Electrical and Electronic Components

Click to view similar products for [USB Connectors](#) category:

Click to view products by [TE Connectivity](#) manufacturer:

Other Similar products are found below :

[950](#) [A-USB A-LP-SMT-C](#) [A-USB B-TOP-C](#) [MUSBD11135](#) [17-200721](#) [217450-1](#) [KMBVX-TH-5S-B30](#) [KUSBX-AS2N-W](#) [KUSBX-SMT2AP1S-W30](#) [935](#) [957](#) [30-498-6](#) [SK-60A-2](#) [1734082-1](#) [30-470](#) [30-489](#) [30-541](#) [MIKROE-1451](#) [USBFTVSCCG](#) [1-1734084-2](#) [10135326-001LF](#) [USB3FTV7APEG](#) [4198](#) [1310-1023-02](#) [690-024-633-031](#) [UB-20PMFP-LC7001](#) [17-200011](#) [UB-20AFMM-LL7A01](#) [1040870124](#) [CAP-WCCMLPB1](#) [2274475-3](#) [UB-20BMFA-SL8001](#) [UB-20BFM-SA7A02](#) [UB-20BFM-SA7A05](#) [914-614A2025S10200](#) [MUSBR-AHD2-M41-SK](#) [ZX40-B-5S-1500-STDA\(30\)](#) [GSB3116344HR](#) [USB3FTV2SAZNF459](#) [USBF21GSCC](#) [U221-041N-1WVS62-F5D](#) [HYCW153-USBD05-500B](#) [HYCW219-USBD05-075B](#) [HYCW148-USBD05-117B](#) [HYCW149-USBD05-740B](#) [HYCW204-USBD05-108B](#) [HYCW214-USBA04-113B](#) [HYCW213-USBA04-113B](#) [UB-20AMFM-SL7A01](#) [KMMX-BSMT35S-1-B30TR](#)