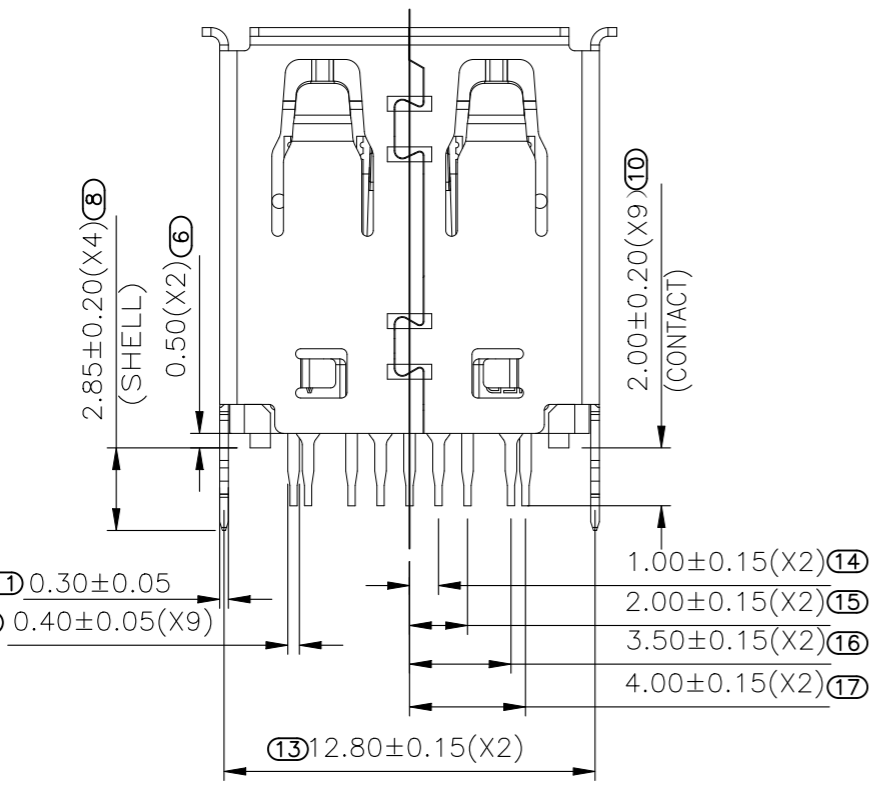
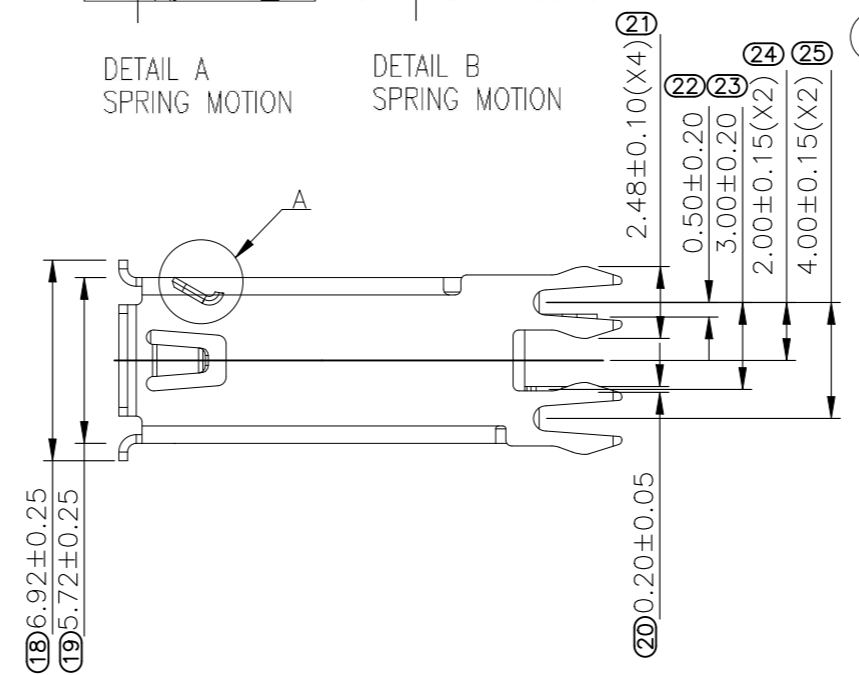
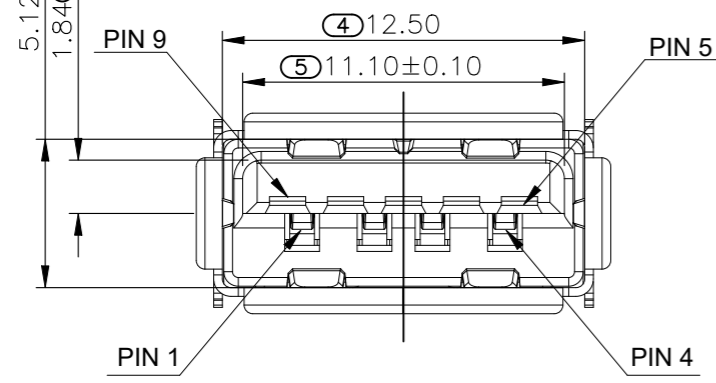
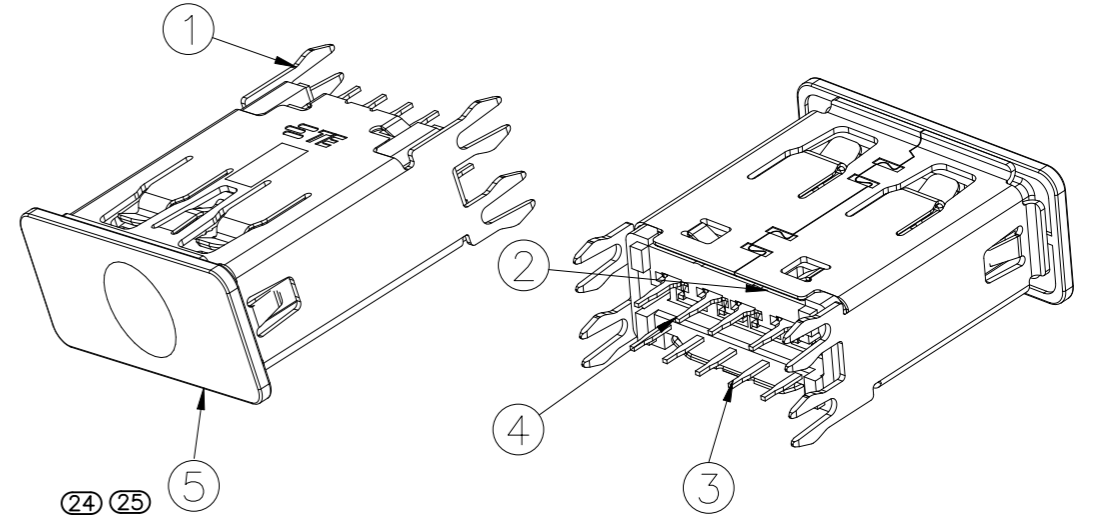
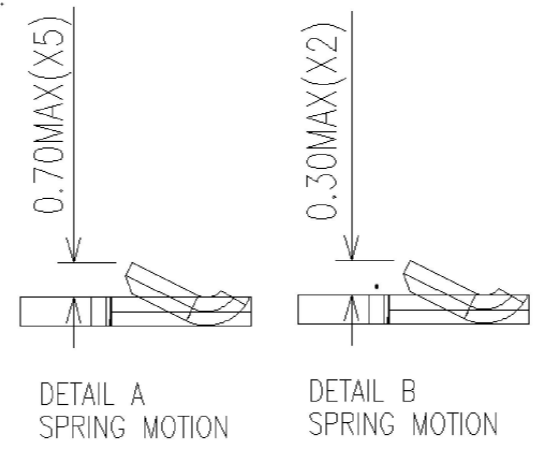
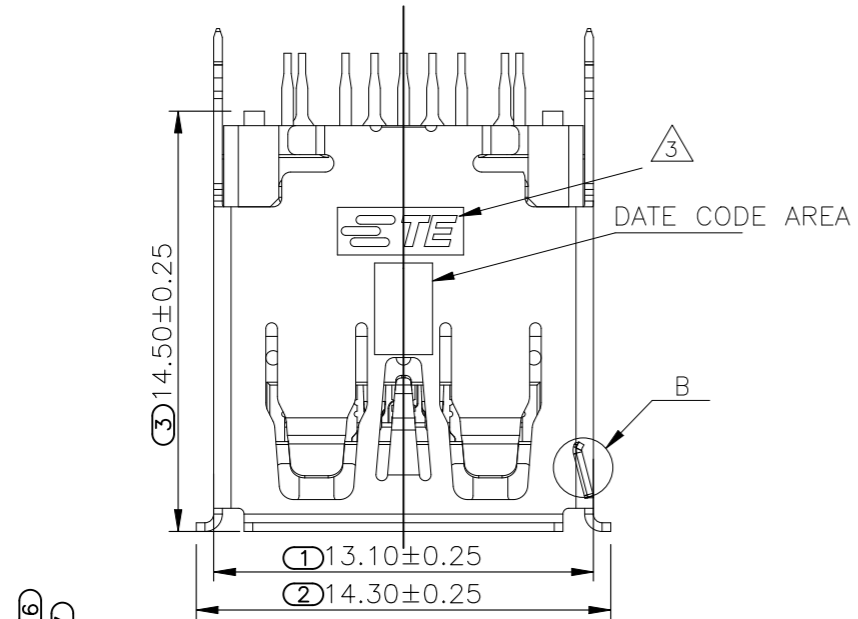


REVISIONS

P	LTR	DESCRIPTION	DATE	DWN	APVD
	B3	Production release,ECN-23-223404	21-JUN-23	GVA	SD
	B2	PCB Layout update	14 July 23	GVA	SD



ITEM	NAME	Q'TY	MATERIAL / FINISH
5	CAP	1	LCP,THERMOPLASTIC/UL 94V-0 RATED
4	SPRING CONTACT	4	COPPER ALLOY / Au PLATED
3	FLAT CONTACT	5	COPPER ALLOY / Au PLATED
2	HOUSING	1	PA9T,THERMOPLASTIC/UL 94V-0 RATED
1	SHELL	1	METAL / Ni PLATED

S/N	TE PN	DESCRIPTION	HOUSING COLOR	SHIELD TYPE	CONTACT PLATING (Au)
1	2439034-1	USB 3.1 A TYPE REC.VT	BLACK	BENDING BOARD LOCK	GF
2	2439034-2	USB 3.1 A TYPE REC.VT	BLACK	BENDING BOARD LOCK	15u"
3	2439034-3	USB 3.1 A TYPE REC.VT	BLACK	BENDING BOARD LOCK	30u"

THIS DRAWING IS A CONTROLLED DOCUMENT.

DWN GVA 19MAY2023
 CHK DS 18-May-2023
 APVD WH 19-May-2023

PRODUCT SPEC: 108-160961
 APPLICATION SPEC: -

WEIGHT: 0

CUSTOMER DRAWING

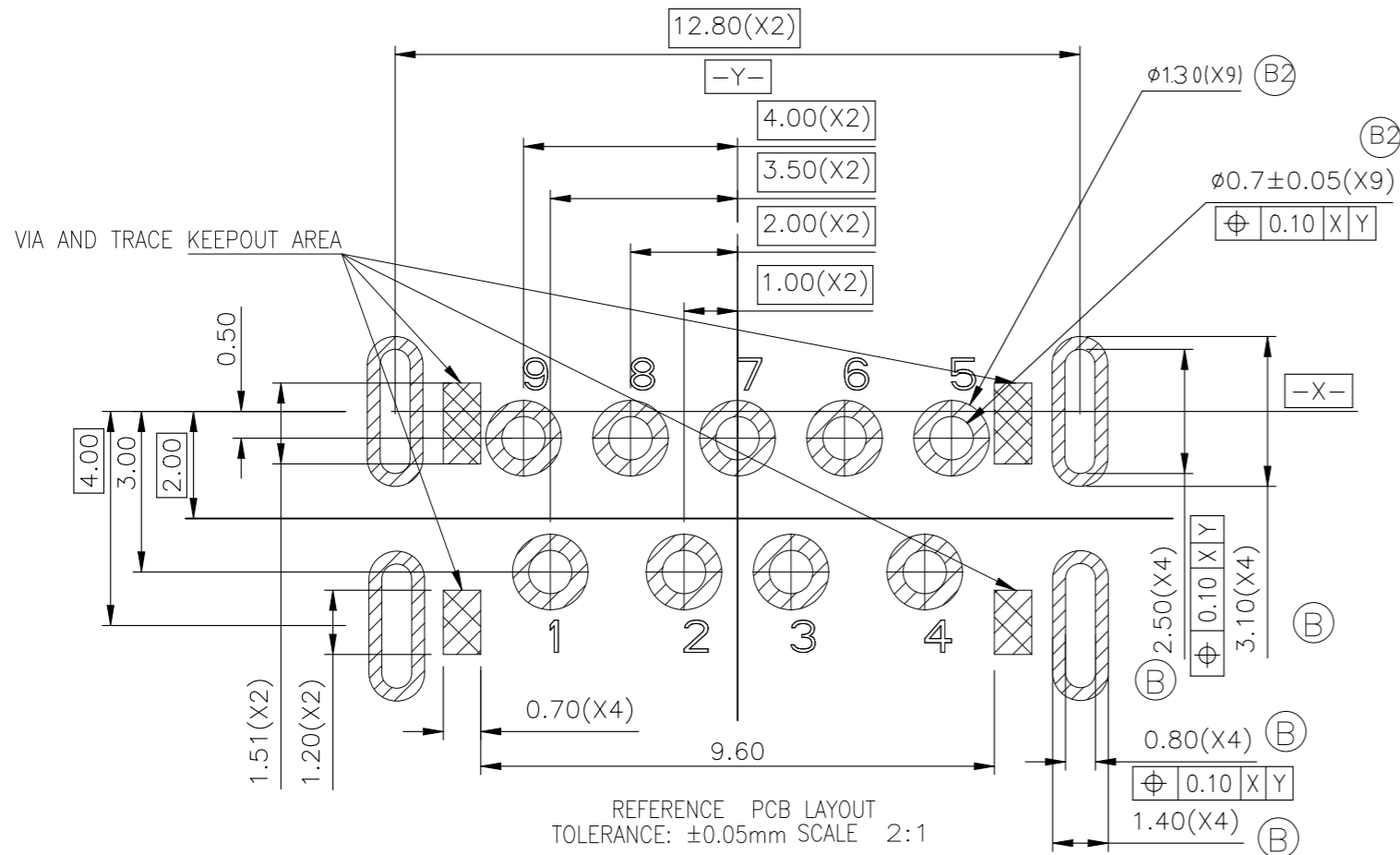
SCALE: NTS
 SHEET: 1 of 3
 REV: B3

TE Connectivity

Vertical USB 3.2 A (board lock type)

SIZE: A3
 CAGE CODE: 00779
 DRAWING NO: C-2439034
 RESTRICTED TO: -

P	LTR	DESCRIPTION	DATE	DWN	APVD
-	-	SEE SHEET 1	-	-	-



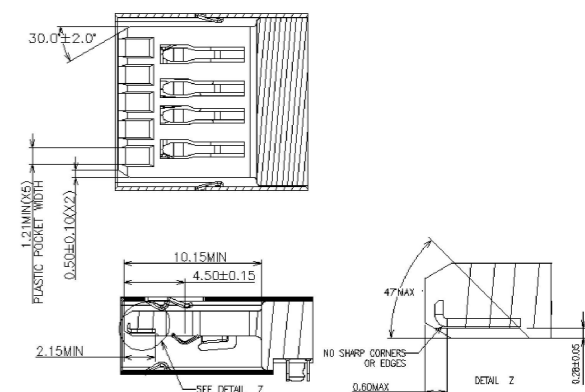
NOTES:

- MATERIAL:
 - HOUSING PA9T UL94 V-0 RATED;COLOR BLACK
 - CAP: LCP UL94 V-0 RATED;COLOR BLACK
 - CONTACT: BRASS&PHOS BRONZE
 - SHELL: STAINLESS STEEL SHIELD TYPE BENDING BOARD LOCK

FINISH

- CONTACT:
 - GOLD PLATING(SEE TABLE) ON CONTACT AREA.
 - 2.54um [100u"] MIN. MATTE-TIN PLATING ON SOLDER TAIL AREA.
 - 1.27um [50u"] MIN. NICKEL UNDERPLATING OVERALL.
- SHELL: 1.27um [50u"] MIN. NICKEL PLATING.
- RECOMMENDED P.C.B THICKNESS : 1.2

Universal Serial Usb3.1 Specification



NOTES:

- ELECTRICAL CHARACTERISTIC:
 - LOW LEVEL CONTACT RESISTANCE: INITIAL: 30 mΩ MAXIMUM FOR POWER AND GROUND CONTACTS. INITIAL: 50 mΩ MAXIMUM AFTER: 10 mΩ MAXIMUM CHANGE. FOR ALL OTHER CONTACTS.
 - DIELECTRIC WITHSTANDING VOLTAGE: 100 VAC FOR ONE MINUTE AT SEA LEVEL.
 - INSULATION RESISTANCE: 100 MΩ MINIMUM.
- MECHANICAL CHARACTERISTIC:
 - INSERTION FORCE: 35N (3.57 Kg) MAXIMUM.
 - EXTRACTION FORCE: INITIAL:10N (1.02Kg)MINIMUM. AFTER:8N (0.816Kg)MINIMUM.

TE LOGO MUST BE CLEAR&LEGIBLE

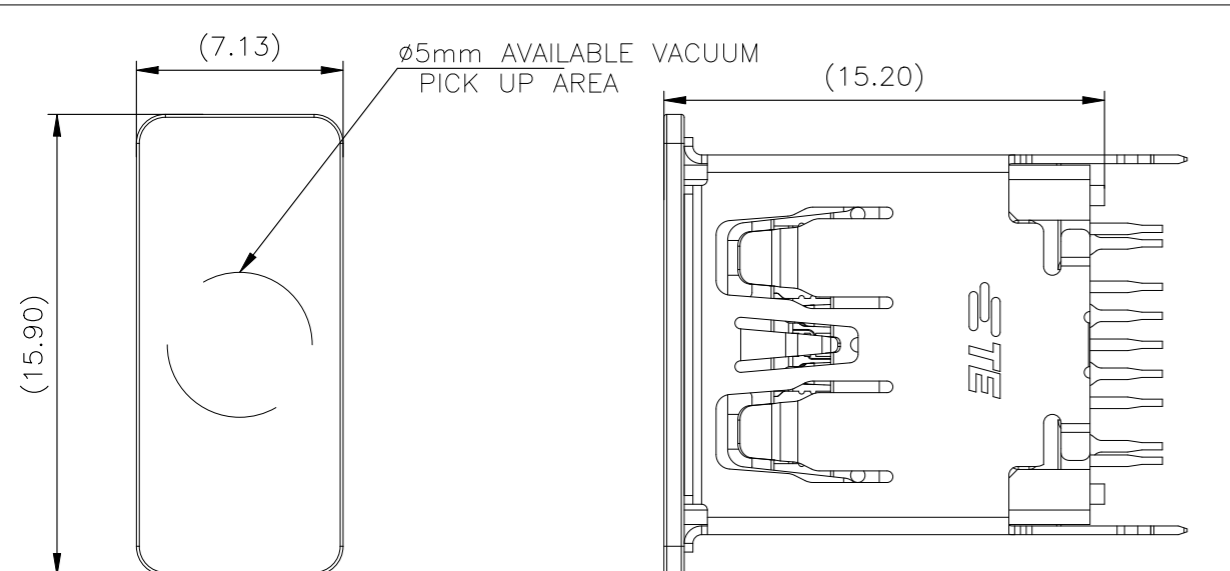


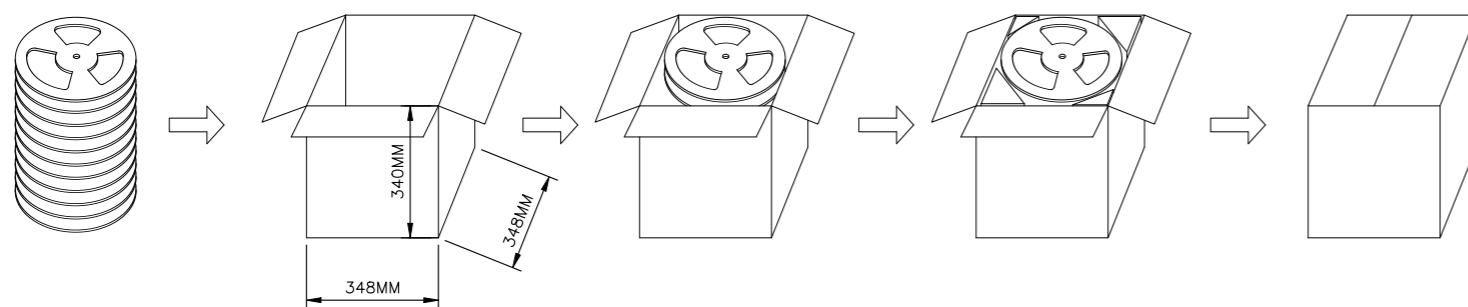
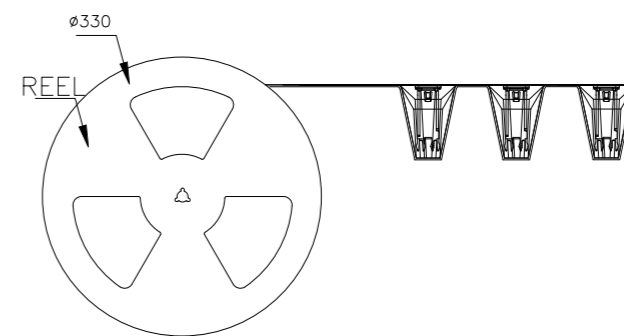
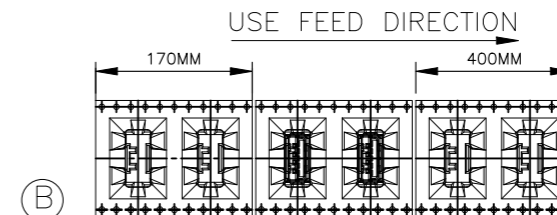
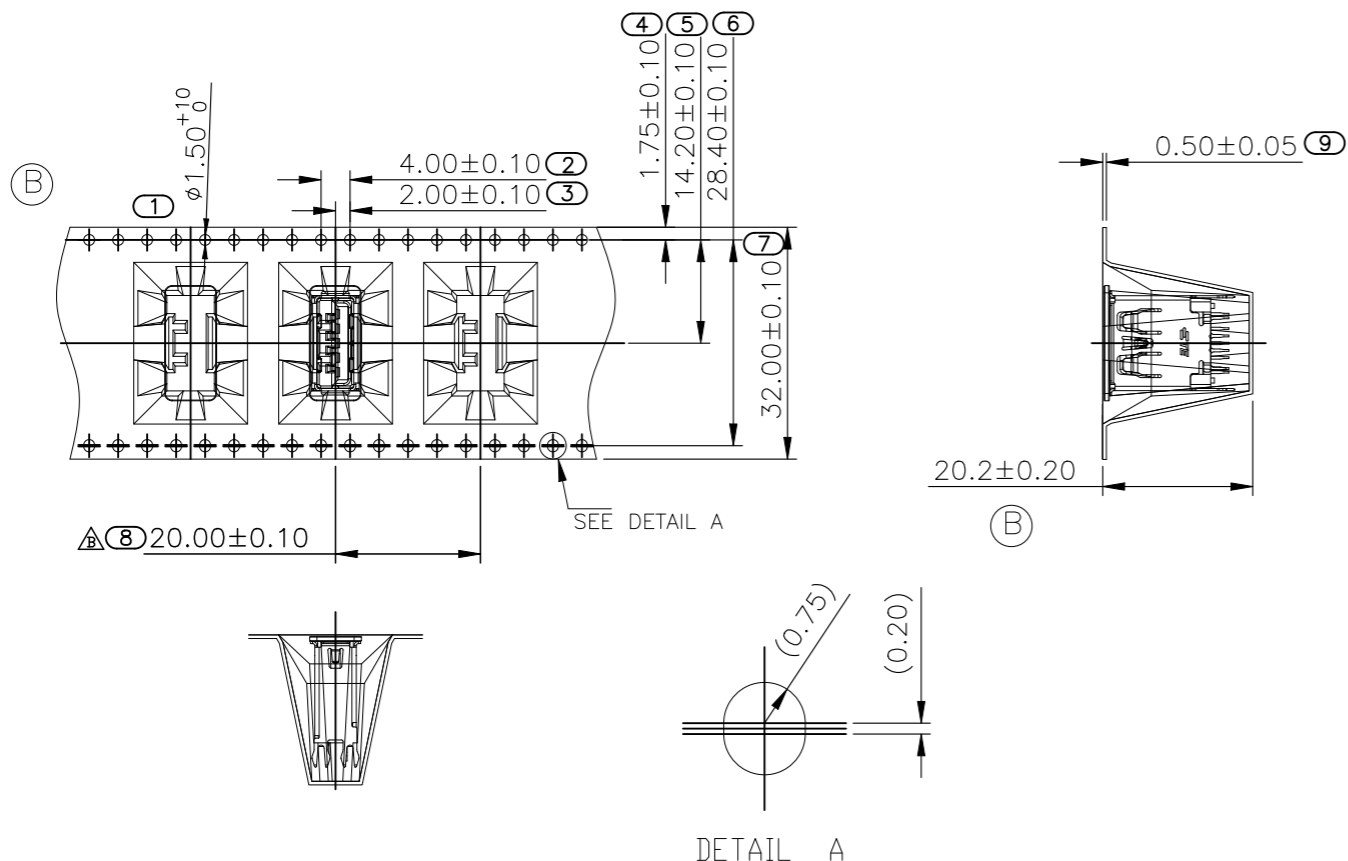
TABLE A: PIN ASSIGNMENT

PIN NO	1	2	3	4	5	6	7	8	9
SIGNAL NAME	VBUS	D-	D+	GND	STDA_SSRX-	STDA_SSRX+	GND	STDA_SSTX-	STDA_SSTX+
REMARK	USB 2.0 CONTACT PIN				USB 3.0 CONTACT PIN				

THIS DRAWING IS A CONTROLLED DOCUMENT.		DWN	19MAY2023		TE Connectivity		
		CHK	18-May-2023				
		APVD	19-May-2023				
DIMENSIONS: mm		TOLERANCES UNLESS OTHERWISE SPECIFIED:		NAME	Vertical USB 3.2 A (board lock type)		
		0 PLC ± 0.38 1 PLC ± 0.30 2 PLC ± 0.20 3 PLC ± 0.10 4 PLC ± - ANGLES ± 3		PRODUCT SPEC		-	
MATERIAL		FINISH		APPLICATION SPEC	108-160961		
				SIZE	CAGE CODE	DRAWING NO	RESTRICTED TO
				WEIGHT	A300779	C=2439034	-
CUSTOMER DRAWING				SCALE	NTS	SHEET	2 of 3
				REV	B3		

REVISIONS

P	LTR	DESCRIPTION	DATE	DWN	APVD
-	-	SEE SHEET 1	-	-	-



GROSS WEIGHT	NET WEIGHT	PCS/ REEL	REEL/ BOX	PCS/ BOX	PART NUMBER
5.60KG	2.26KG	150	8	1200	2439034-1
5.60KG	2.26KG	150	8	1200	2439034-2
5.60KG	2.26KG	150	8	1200	2439034-3

- NOTES :
- PACKAGING MATERIAL IN PLASTIC, RUBBER, INK, PIGMENT AND PAINT MUST MEET CONTROLLED SUBSTANCES SPEC PER 230-702.
 * CADMIUM AND CADMIUM COMPOUNDS NOT TO EXCEED: 5 PPM.
 * LEAD, CADMIUM, CHROM VI AND MERCURY NOT TO EXCEED: 100 PPM (COMBINED).
 * CARRIER TAPES, COVER TAPES, REELS AND TAPED COMPONENTS MUST MEET THE REQUIREMENTS DEFINED PER EIA-481-C.
 - MATERIAL :
 COVER TAPE : PET, COLOR: TRANSPARENT
 CARRIER TAPE : SYNTHETIC MATERIALS, COLOR: BLACK
 REEL :PS BLUE
 SHIPPING BOX: CORRUGATED FIBER

THIS DRAWING IS A CONTROLLED DOCUMENT.		DWN GVA 19MAY2023	TE Connectivity NAME Vertical USB 3.2 A (board lock type)		
DIMENSIONS: mm		CHK DS 18-May-2023			
TOLERANCES UNLESS OTHERWISE SPECIFIED:		APVD WH 19-May-2023	PRODUCT SPEC 108-160961		
		APPLICATION SPEC -		SIZE	RESTRICTED TO
MATERIAL		FINISH	WEIGHT 0	CAGE CODE A300779	DRAWING NO C=2439034
CUSTOMER DRAWING			SCALE NTS	SHEET 3 of 3	REV B3

X-ON Electronics

Largest Supplier of Electrical and Electronic Components

Click to view similar products for [USB Connectors](#) category:

Click to view products by [TE Connectivity](#) manufacturer:

Other Similar products are found below :

[950](#) [A-USB A-LP-SMT-C](#) [A-USB B-TOP-C](#) [MUSBD11135](#) [17-200721](#) [217450-1](#) [KMBVX-TH-5S-B30](#) [KUSBX-AS2N-W](#) [KUSBX-SMT2AP1S-W30](#) [935](#) [957](#) [30-498-6](#) [SK-60A-2](#) [1734082-1](#) [30-470](#) [30-489](#) [30-541](#) [MIKROE-1451](#) [USBFTVSCCG](#) [1-1734084-2](#) [10135326-001LF](#) [USB3FTV7APEG](#) [4198](#) [1310-1023-02](#) [690-024-633-031](#) [UB-20PMFP-LC7001](#) [17-200011](#) [UB-20AFMM-LL7A01](#) [1040870124](#) [CAP-WCCMLPB1](#) [2274475-3](#) [UB-20BMFA-SL8001](#) [UB-20BFM-SA7A02](#) [UB-20BFM-SA7A05](#) [914-614A2025S10200](#) [MUSBR-AHD2-M41-SK](#) [ZX40-B-5S-1500-STDA\(30\)](#) [GSB3116344HR](#) [USB3FTV2SAZNF459](#) [USBF21GSCC](#) [U221-041N-1WVS62-F5D](#) [HYCW153-USBD05-500B](#) [HYCW219-USBD05-075B](#) [HYCW148-USBD05-117B](#) [HYCW149-USBD05-740B](#) [HYCW204-USBD05-108B](#) [HYCW214-USBA04-113B](#) [HYCW213-USBA04-113B](#) [UB-20AMFM-SL7A01](#) [KMMX-BSMT35S-1-B30TR](#)