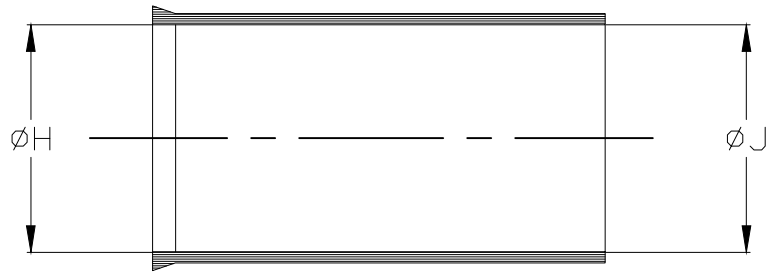
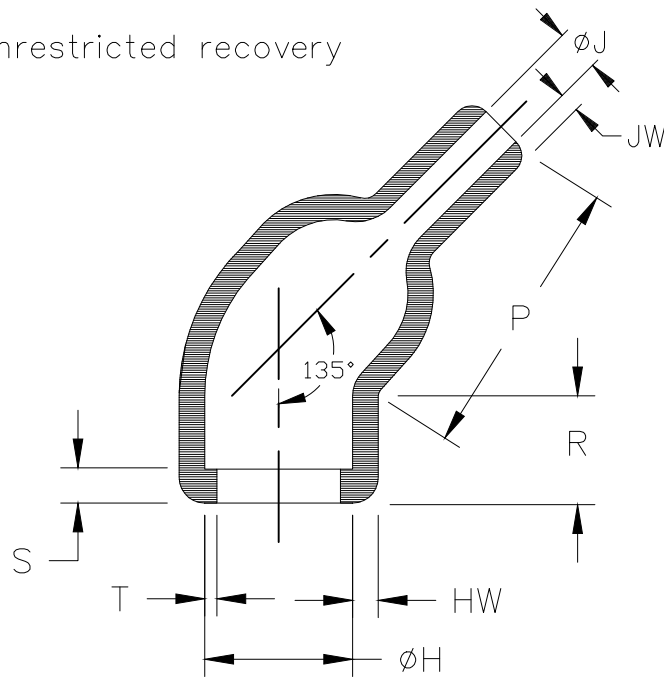


REVISIONS					
P	LTR	DESCRIPTION	DATE	DWN	APVD
	4	PRODUCTION ISSUE	04FEB2019	PNT	MT

a) Part as supplied



b) Part after unrestricted recovery



DIMENSIONS TABLE

Part No.	H		J		P	R	S	T	HW	JW
	min	max	min	max	±10%	±10%	±10%	±10%	±20%	±20%
	a	b	a	b	b	b	b	b	b	b
243D012-*G04	20 [.79]	14.2 [.56]	20 [.79]	4.1 [.16]	24 [.94]	10 [.39]	3.0 [.12]	1.1 [.043]	2.3 [.09]	1.8 [.07]
243D022-*G04	24 #	17.8 [.70]	24 #	5.6 [.22]	27 [1.06]	10 [.39]	3.0 [.12]	1.1 [.043]	2.8 [.11]	1.9 [.074]

THIS IS AN OVEREXPANDED VARIANT MODIFIED DIMENSIONS ARE SHOWN THUS: - #

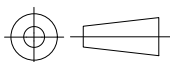
RELEASED FOR PUBLICATION

ALL RIGHTS RESERVED.

THIS DRAWING IS UNPUBLISHED.

COPYRIGHT - TE Connectivity Ltd.

DIMENSIONS: mm [INCHES]	DWN PRAVEEN N T	04FEB2019	MATERIAL SEE SHEET 2	FINISH -		
	CHK N NAGAR	04FEB2019	TE Connectivity Ltd.			
TOLERANCES UNLESS OTHERWISE SPECIFIED:	APVD M TAYLOR	04FEB2019			NAME 45 DEGREE BOOT, THICK WALL, WITH LIP	
0 PLC ± -	PRODUCT SPEC	-	SIZE	CAGE CODE	DRAWING NO	RESTRICTED TO
1 PLC ± -	APPLICATION SPEC	-	A4	00779	C-243D0XX-XX-G04-0	-
2 PLC ± -	WEIGHT	-	CUSTOMER DRAWING		SCALE	DNS
3 PLC ± -					SHEET	1 OF 2
4 PLC ± -					REV	4
ANGLES ± -						



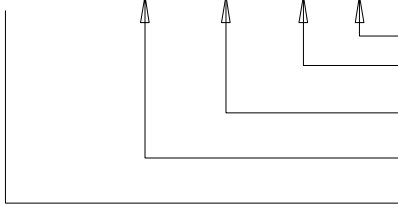
REVISIONS				
P	LTR	DESCRIPTION	DATE	APVD
-	-	SEE SHEET 1	-	-

## COMPATIBILITY CHART

Material Dash Number	Material Description	RT Spec	Coating Slash No.	Coating S No.
-3	POLYOLEFIN, SEMI-RIGID	RT-301	/42./86./180	S1017; S1048; S1030
-4	POLYOLEFIN, FLEXIBLE	RT-1304	/42./86./180	S1017; S1048; S1030
-25	ELASTOMER, FLUID RESISTANT	RW-2070	/42./86./225	S1017; S1048; S1206

## Ordering Information

234A0XX-XX-GXX/XX-0



- Color designator
- Adhesive Slash Number(if required see compatibility chart)
- Modification Number
- Material Dash Number (see compatibility chart)
- Base Part Number

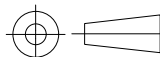
### NOTES

- As supplied dimensions are for uncoated parts, when coating is added entry diameters will reduce by 1.5mm[.06] Max.

RELEASED FOR PUBLICATION

ALL RIGHTS RESERVED.

© COPYRIGHT - TE Connectivity Ltd.

DIMENSIONS: mm [INCHES]	DWN PRAVEEN N T 04FEB2019	MATERIAL -	FINISH -	TE Connectivity Ltd.		
	TOLERANCES UNLESS OTHERWISE SPECIFIED:	CHK N NAGAR 04FEB2019	NAME 45 DEGREE BOOT, THICK WALL, WITH LIP			
APVD M TAYLOR 04FEB2019						
0 PLC ± - 1 PLC ± - 2 PLC ± - 3 PLC ± - 4 PLC ± - ANGLES ± -	PRODUCT SPEC -	APPLICATION SPEC -	SIZE A4		CAGE CODE 00779	DRAWING NO G-243D0XX-XX-G04-0
	WEIGHT -	CUSTOMER DRAWING		SCALE DNS	SHEET 2 OF 2	REV 4

## X-ON Electronics

Largest Supplier of Electrical and Electronic Components

*Click to view similar products for [Heat Shrink Cable Boots & End Caps](#) category:*

*Click to view products by [TE Connectivity](#) manufacturer:*

Other Similar products are found below :

[577159N001](#) [645494-000](#) [CX4132-000](#) [687025-000](#) [705331-000](#) [718446-000](#) [725666N001](#) [729257-000](#) [F27131-000](#) [F85868-000](#) [770-003S106W2](#) [770-013210W1](#) [770-013311](#) [770-013312](#) [806542N001](#) [807507-000](#) [808059-000](#) [808362-000](#) [808618-000](#) [809125-000](#) [809130-000](#) [809218-000](#) [812014-000](#) [812047-000](#) [813166-000](#) [813767N002](#) [814741-000](#) [819117N001](#) [823026-000](#) [823070-000](#) [825002-000](#) [841189N001](#) [861471-000](#) [866647-000](#) [879515-000](#) [937577-000](#) [957073-000](#) [982033-2](#) [A77813-000](#) [R280576000](#) [D96192-000](#) [163549-000](#) [MTPSRBCL-C](#) [1954015-1](#) [200W531-3-0](#) [202A163-4-0-CS5067](#) [202A343-3-00-0](#) [202B221-13-0](#) [202B231-13-0](#) [202B563-25-07-0](#)