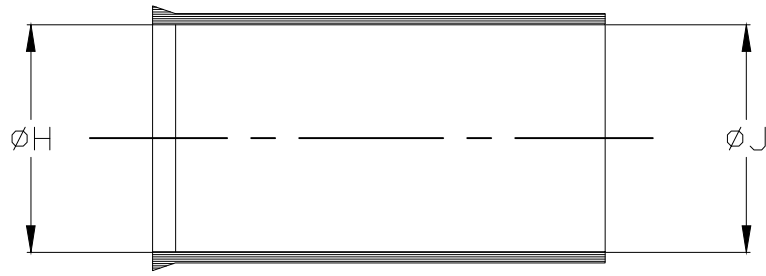
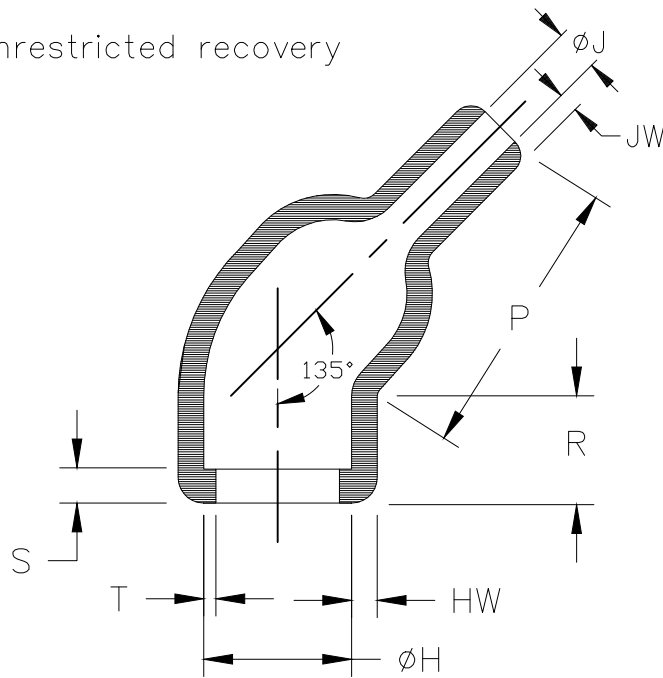


REVISIONS					
P	LTR	DESCRIPTION	DATE	DWN	APVD
	4	PRODUCTION ISSUE	04FEB2019	PNT	MT

a) Part as supplied



b) Part after unrestricted recovery



DIMENSIONS TABLE

Part No.	H		J		P	R	S	T	HW	JW
	min	max	min	max	±10%	±10%	±10%	±10%	±20%	±20%
	a	b	a	b	b	b	b	b	b	b
243D012-*G04	20 [.79]	14.2 [.56]	20 [.79]	4.1 [.16]	24 [.94]	10 [.39]	3.0 [.12]	1.1 [.043]	2.3 [.09]	1.8 [.07]
243D022-*G04 #	24 [.94]	17.8 [.70]	24 [.94]	5.6 [.22]	27 [1.06]	10 [.39]	3.0 [.12]	1.1 [.043]	2.8 [.11]	1.9 [.074]


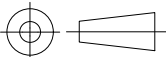
THIS IS AN OVEREXPANDED VARIANT MODIFIED DIMENSIONS ARE SHOWN THUS: - #

RELEASED FOR PUBLICATION

ALL RIGHTS RESERVED.

THIS DRAWING IS UNPUBLISHED.

© COPYRIGHT - TE Connectivity Ltd.

DIMENSIONS: mm [INCHES]	DWN PRAVEEN N T	04FEB2019	MATERIAL SEE SHEET 2	FINISH -
	CHK N NAGAR	04FEB2019	 TE Connectivity Ltd.	
TOLERANCES UNLESS OTHERWISE SPECIFIED:	APVD M TAYLOR	04FEB2019		
0 PLC ± -	PRODUCT SPEC	-	NAME 45 DEGREE BOOT, THICK WALL, WITH LIP	
1 PLC ± -	APPLICATION SPEC	-	SIZE	CAGE CODE
2 PLC ± -			A4	00779
3 PLC ± -			DRAWING NO	
4 PLC ± -			G-243D0XX-XX-G04-0	
ANGLES ± -	WEIGHT	-	RESTRICTED TO	
			-	
CUSTOMER DRAWING			SCALE DNS	SHEET 1 OF 2
			REV 4	

REVISIONS

P	LTR	DESCRIPTION	DATE	DWN	APVD
-	-	SEE SHEET 1	-	-	-

COMPATIBILITY CHART

Material Dash Number	Material Description	RT Spec	Coating Slash No.	Coating S No.
-3	POLYOLEFIN, SEMI-RIGID	RT-301	/42./86./180	S1017; S1048; S1030
-4	POLYOLEFIN, FLEXIBLE	RT-1304	/42./86./180	S1017; S1048; S1030
-25	ELASTOMER, FLUID RESISTANT	RW-2070	/42./86./225	S1017; S1048; S1206

Ordering Information

234A0XX-XX-GXX/XX-0

- Color designator
- Adhesive Slash Number (if required see compatibility chart)
- Modification Number
- Material Dash Number (see compatibility chart)
- Base Part Number

NOTES

- As supplied dimensions are for uncoated parts, when coating is added entry diameters will reduce by 1.5mm [.06] Max.

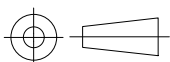
RELEASED FOR PUBLICATION

ALL RIGHTS RESERVED.

© COPYRIGHT - TE Connectivity Ltd.

THIS DRAWING IS UNPUBLISHED.

DIMENSIONS: mm [INCHES]	DWN PRAVEEN N T 04FEB2019	MATERIAL -	FINISH -		
	CHK N NAGAR 04FEB2019	TE Connectivity Ltd.			
TOLERANCES UNLESS OTHERWISE SPECIFIED:	APVD M TAYLOR 04FEB2019			NAME 45 DEGREE BOOT, THICK WALL, WITH LIP	
0 PLC ± -	PRODUCT SPEC -	SIZE A4	CAGE CODE 00779	DRAWING NO C-243D0XX-XX-G04-0	RESTRICTED TO -
1 PLC ± -	APPLICATION SPEC -	SCALE DNS		SHEET 2 OF 2	REV 4
2 PLC ± -	WEIGHT	CUSTOMER DRAWING			
3 PLC ± -					
4 PLC ± -					
ANGLES ± -					



X-ON Electronics

Largest Supplier of Electrical and Electronic Components

Click to view similar products for [Heat Shrink Cable Boots & End Caps](#) category:

Click to view products by [TE Connectivity](#) manufacturer:

Other Similar products are found below :

[577159N001](#) [645494-000](#) [CX4132-000](#) [687025-000](#) [705331-000](#) [718446-000](#) [725666N001](#) [729257-000](#) [F27131-000](#) [F85868-000](#) [770-003S106W2](#) [806542N001](#) [807507-000](#) [808059-000](#) [808362-000](#) [808618-000](#) [809125-000](#) [809130-000](#) [809218-000](#) [812014-000](#) [812047-000](#) [813166-000](#) [813767N002](#) [814741-000](#) [819117N001](#) [823026-000](#) [823070-000](#) [825002-000](#) [841189N001](#) [861471-000](#) [866647-000](#) [879515-000](#) [937577-000](#) [957073-000](#) [982033-2](#) [A77813-000](#) [R280576000](#) [D96192-000](#) [163549-000](#) [MTPSRBCL-C](#) [1954015-1](#) [200W531-3-0](#) [202A163-4-0-CS5067](#) [202A343-3-00-0](#) [202B221-13-0](#) [202B231-13-0](#) [202B563-25-07-0](#) [202C241-13-0](#) [202D121-4-01/86-0](#) [202D132-4-07/42-0](#)