



Application Tooling > Spare & Wear Tooling



Applicator & Product Style: OCEAN

### Features

#### Other

Applicator & Product Style	OCEAN
----------------------------	-------

### Product Compliance

[For compliance documentation, visit the product page on TE.com>](#)

EU RoHS Directive 2011/65/EU	Out of Scope
EU ELV Directive 2000/53/EC	Out of Scope
China RoHS 2 Directive MIIT Order No 32, 2016	No Restricted Materials Above Threshold
EU REACH Regulation (EC) No. 1907/2006	Current ECHA Candidate List: JUL 2021 (219) Candidate List Declared Against: JAN 2021 (211) SVHC > Threshold: Not Yet Reviewed
Halogen Content	Low Halogen - Br, Cl, F, I < 900 ppm per homogenous material. Also BFR/CFR/PVC Free
Solder Process Capability	Not applicable for solder process capability

#### Product Compliance Disclaimer

This information is provided based on reasonable inquiry of our suppliers and represents our current actual knowledge based on the information they provided. This information is subject to change. The part numbers that TE has identified as EU RoHS compliant have a maximum concentration of 0.1% by weight in homogenous materials for lead, hexavalent chromium, mercury, PBB, PBDE, DBP, BBP, DEHP, DIBP, and 0.01% for cadmium, or qualify for an exemption to these limits as defined in the Annexes of Directive 2011/65/EU (RoHS2). Finished electrical and electronic equipment products will be CE marked as required by Directive 2011/65/EU. Components may not be CE marked. Additionally, the part numbers that TE has identified as EU ELV compliant have a maximum concentration of 0.1% by weight in homogenous materials for lead, hexavalent chromium, and mercury, and 0.01% for cadmium, or qualify for an exemption to these limits as defined in the Annexes of Directive 2000/53/EC (ELV). Regarding the REACH Regulation, the information TE provides on SVHC in articles for this part number is based on the latest European Chemicals Agency (ECHA) 'Guidance on requirements for substances in articles' posted at this URL: <https://echa.europa.eu/guidance-documents/guidance-on-reach>

## Compatible Parts



TE Part # 2-2150512-1  
OCEAN\_2.0\_Applicator-E-110F180F



TE Part # 2-2150512-2  
OCEAN\_2.0\_Applicator-E-110F180F



TE Part # 2150512-1  
OCEAN\_2.0\_Applicator-E-110F180F



TE Part # 2150512-2  
OCEAN\_2.0\_Applicator-E-110F180F



**KIT**  
REPRESENTATION ONLY

TE Part # 7-2150512-7  
OCEAN\_2.0\_SPARE\_PART\_KIT-110F180F

## Customers Also Bought



TE Part #2297813-2  
BASE ASSY, 38 POSN ISO FUSE AND RELAY



TE Part #42743-2  
FASTON 250 RECEPTACLE 22-18 AWG TPBR



TE Part #42865-1  
SHUR PLUG .180 14-10 AWG BR



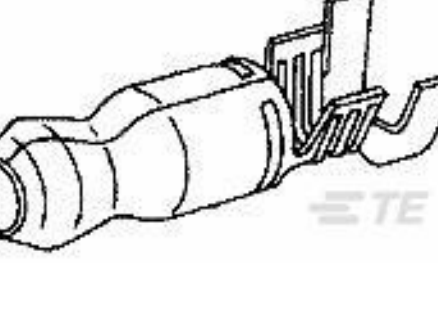
TE Part #42868-1  
SHUR PLUG 180 RECEPTACLE 14-10 AWG BR



TE Part #2-520128-2  
ULTRA-FAST 250 ASY REC 22-18 AWG TPBR



TE Part #2-520263-2  
ULTRA-FAST 250 ASY REC 22-18 TPBR



TE Part #505038-1  
SHUR PLUG 180 CRIMP TAB 20-16 AWG BR



**CRIMPER**  
REPRESENTATION ONLY

TE Part #2-464112-4  
CRIMPER, WIRE



TE Part #6-1490019-6  
CRIMPER, WIRE



TE Part #60235-1  
RING 18-14 AWG BR

## Documents

### Datasheets & Catalog Pages

[CRIMPING WHERE FORM MEETS FUNCTION](#)

English

### Instruction Sheets

[Instruction Sheet \(U.S.\)](#)

English

## X-ON Electronics

Largest Supplier of Electrical and Electronic Components

*Click to view similar products for [Crimpers / Crimping Tools](#) category:*

*Click to view products by [TE Connectivity](#) manufacturer:*

Other Similar products are found below :

[010-0096](#) [M225201-06](#) [M225202-37](#) [6-1579015-5](#) [CT150-6-RH07](#) [622-6441LF](#) [M322](#) [6-304052-1](#) [63456-0054](#) [63484-3701](#) [63800-8355](#)  
[63819-1875](#) [63819-2875](#) [63819-4475](#) [63823-3475](#) [63827-5375](#) [64001-0975](#) [64001-4175](#) [64005-0175](#) [662903-2](#) [690602-6](#) [7-1579001-9](#) [7-](#)  
[23471-1](#) [762637-1](#) [808714-1](#) [811242-5](#) [999-50-020083](#) [1-21002-3](#) [1-21002-7](#) [12085270](#) [1-21002-6](#) [1-21113-6](#) [1-22548-4](#) [125442-1](#)  
[DCE.91.073.BVC](#) [DCE.91.090.3MVM](#) [DCE.91.130.5MVU](#) [DCE.91.202.BVCM](#) [1338300-1](#) [1-354003-0](#) [1338301-1](#) [DF62/RE-MD](#) [142321](#)  
[1456088-1](#) [1490794-1](#) [1-45804-6](#) [1490357-2](#) [1490357-3](#) [AX100749](#) [1-59619-7](#)