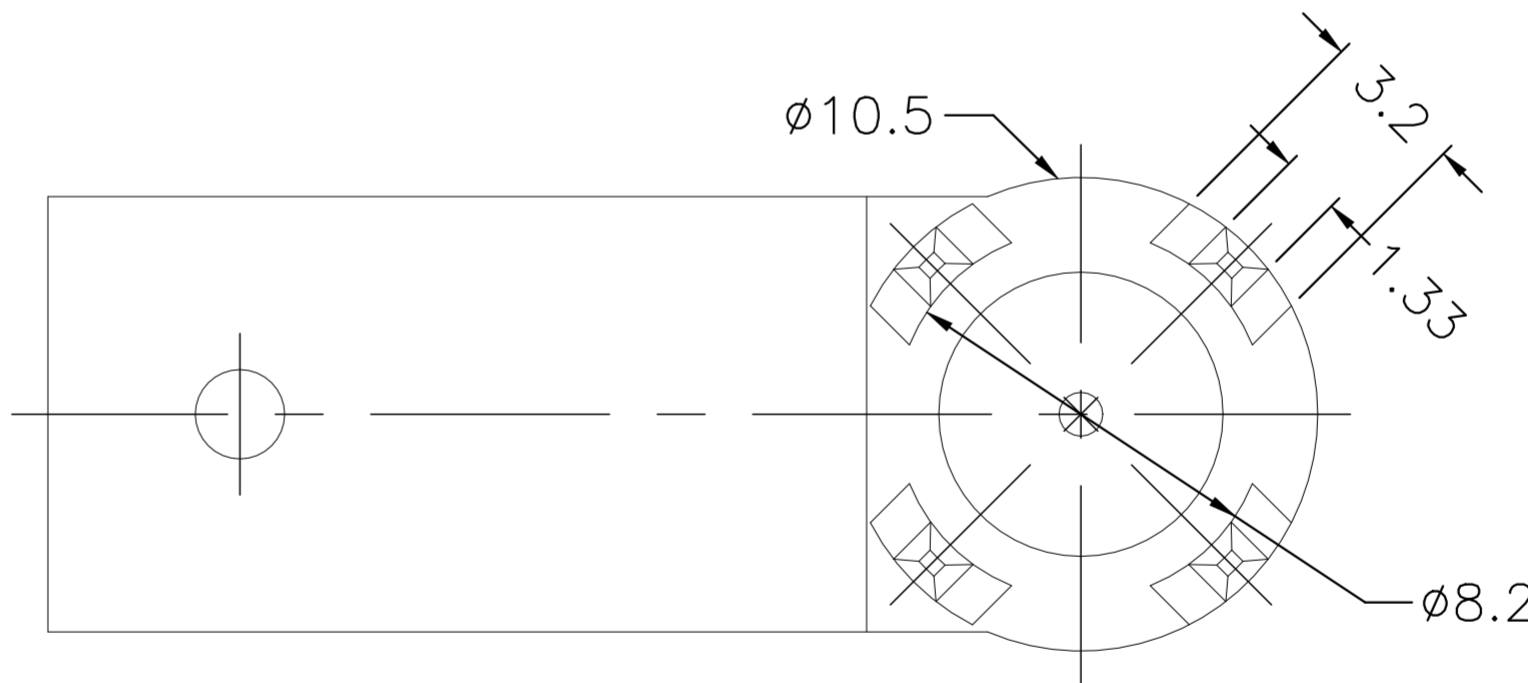
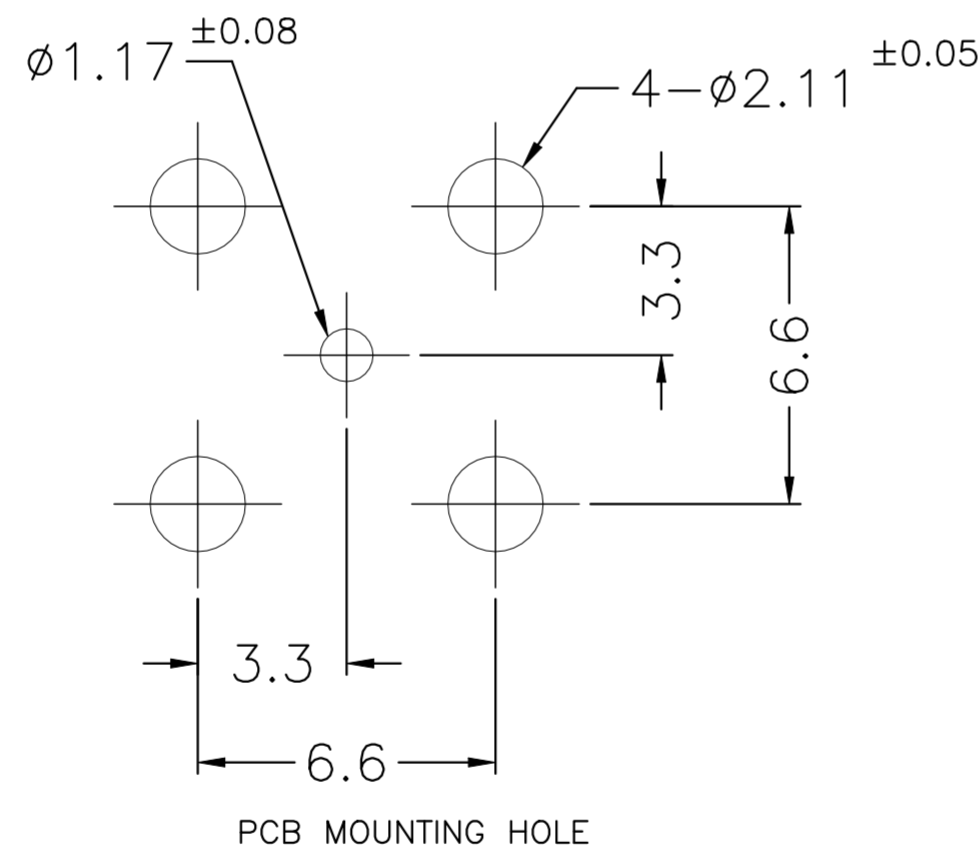
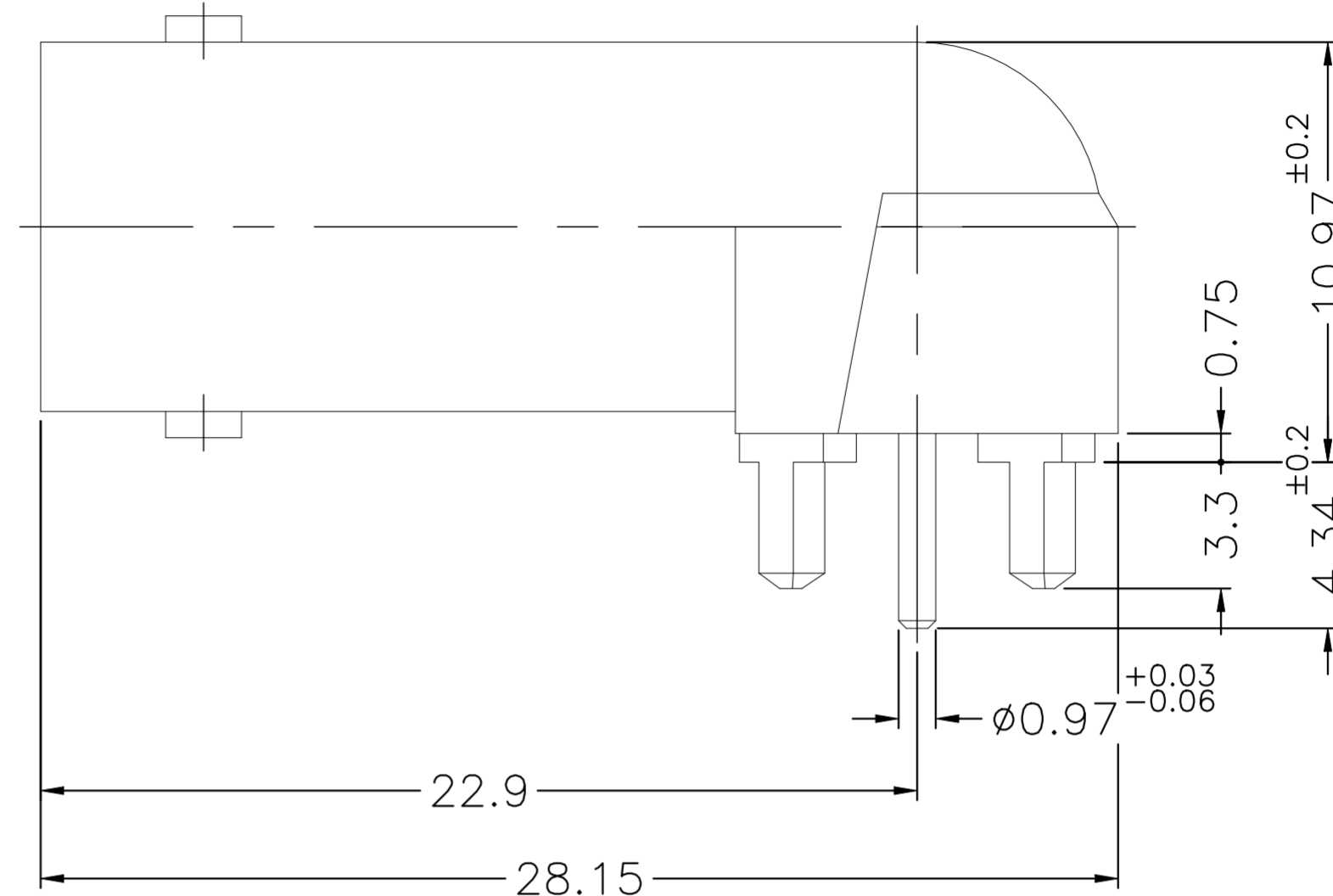
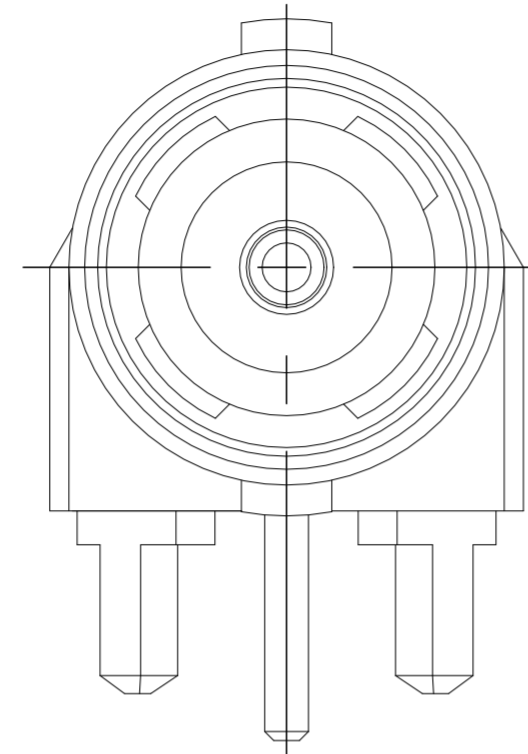


REVISIONS					
P	LTR	DESCRIPTION	DATE	DWN	APVD
	A1	REVISED PER ECR-24-198159	23JAN2024	ED	WH



NOTES:

- PACK IN ACCORDANCE WITH TE SPEC 107-3275;
- ALL DIMENSIONS ARE NOMINAL FOR REFERENCE ONLY UNLESS OTHERWISE STATED;
- ELECTRICAL CHARACTERISTICS :
 FREQUENCY RANGE : DC-2GHz
 NOMINAL IMPEDANCE : 50 OHMS
 INSULATION RESISTANCE : 5000 MOHMS
 WORKING VOLTAGE : 335 VRMS MAX
 DIELECTRIC WITHSTANDING VOLTAGE : 750 VOLTS MAX
 VSWR : 1.5 MAX(DC-2GHz)
 CONTACT RESISTANCE :
 CENTER CONTACT : 3 mOHMS MAX
 OUTER CONTACT : 2 mOHMS MAX;
- MECHANICAL CHARACTERISTICS :
 DURABILITY : 500 CYCLES
- TEMPERATURE RANGE: -65°-+165°;
- RoHS: COMPLIANT.

QTY	DESCRIPTION	MATERIAL	DESCRIPTION	ITEM
1	NATURAL	PTFE	INSULATOR	5
1	GOLD 50u"/NICKEL/COPPER	BRASS	CONTACT PIN	4
1	GOLD 50u"/NICKEL/COPPER	BERYLLIUM COPPER	CONTACT PIN	3
1	NATURAL	PTFE	INSULATOR	2
1	BRIGHT TIN 200u"/NICKEL/COPPER	ZINC DIECAST	BODY	1
2466267-1	PLATING	MATERIAL	DESCRIPTION	ITEM

THIS DRAWING IS A CONTROLLED DOCUMENT.

DWN	ED	11SEP2023	TE Connectivity BNC JACK,PCB MOUNTING HOLE, RIGHT ANGLE,2GHZ	RESTRICTED TO
CHK	ED	11SEP2023		NAME
APVD	WH	11SEP2023		PRODUCT SPEC
				APPLICATION SPEC
MATERIAL	SEE TABLE		WEIGHT	0
		CUSTOMER DRAWING		

SIZE	A2	CAGE CODE	00779	DRAWING NO	C=2466267
SCALE	8:1	SHEET	1 OF 1	REV	A1

X-ON Electronics

Largest Supplier of Electrical and Electronic Components

Click to view similar products for [RF Connectors](#) / [Coaxial Connectors](#) category:

Click to view products by [TE Connectivity](#) manufacturer:

Other Similar products are found below :

[89674-0827](#) [6059674-1](#) [630059-000](#) [6501-1071-002](#) [6769](#) [7002-1541-010](#) [7002-1572-002](#) [7004-1512-000](#) [7009-1511-004](#) [7101-1541-010](#)
[7101-1571-002](#) [7105-1521-002](#) [7203-1571-003](#) [7209-1511-011](#) [7210-1511-040](#) [7242-1511-000](#) [7405-1521-005](#) [7405-1521-802](#)
[804S01D04M040](#) [8527](#) [8547](#) [FS11V](#) [877931](#) [8808-1511-001](#) [9049-9513-000](#) [9074-9513-000](#) [PL11C-026](#) [PL40-36](#) [9408-1113-000](#) [980-](#)
[8666-005](#) [11 SMA-50-2-6 / 111 NE](#) [11 SMA-50-3-6 / 111 NE](#) [1-201144-1](#) [120919](#) [R107003010W](#) [R112186000](#) [R113053000W](#) [R113082097](#)
[R113236000](#) [R114083000](#) [R114670000W](#) [R123415000W](#) [R124076320](#) [R124076450](#) [R124175123](#) [R125075000W](#) [R125075001](#)
[R125172000W](#) [R125415030](#) [R141007161](#)