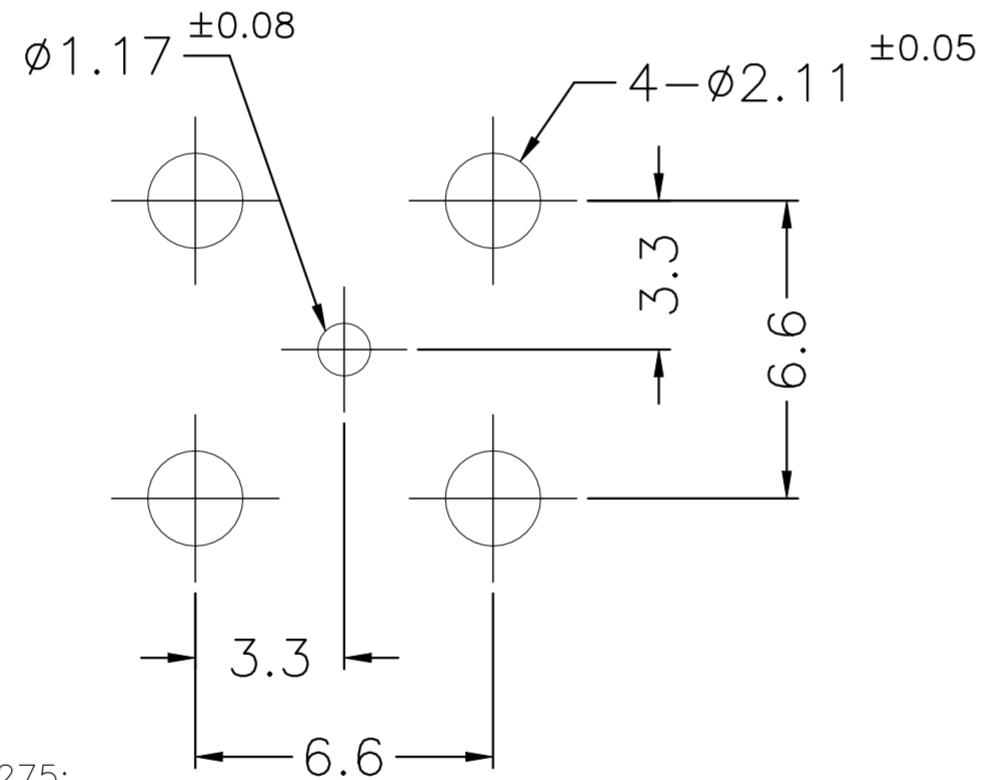
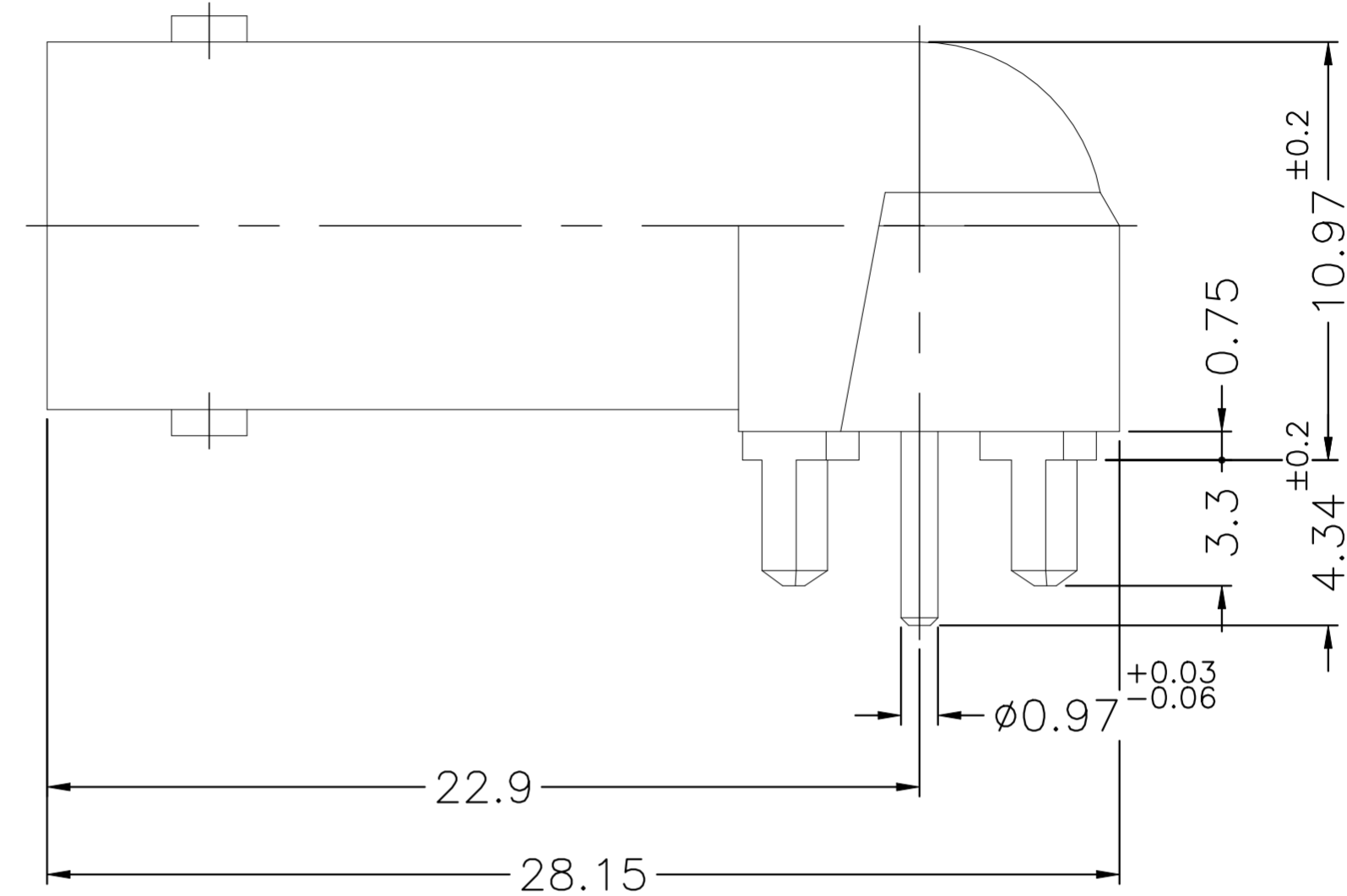
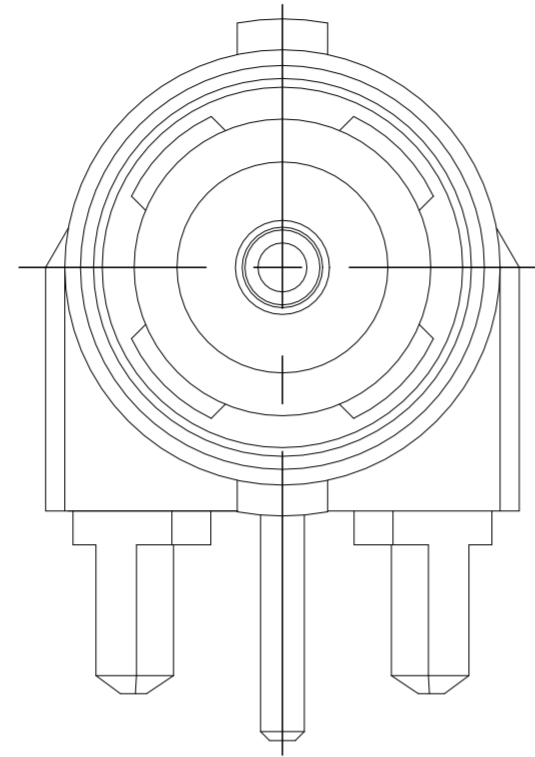
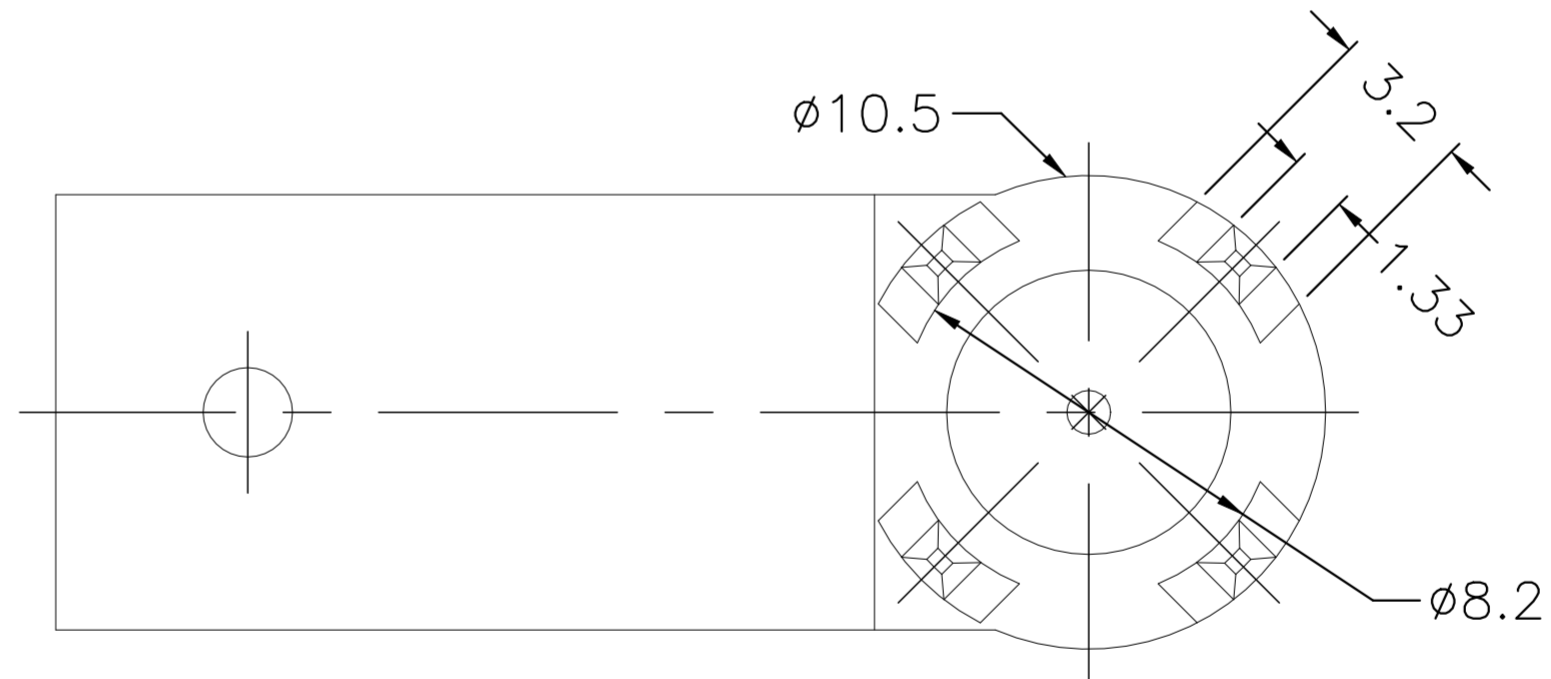


REVISIONS					
P	LTR	DESCRIPTION	DATE	DWN	APVD
	A1	REVISED PER ECR-24-198159	23JAN2024	ED	WH



PCB MOUNTING HOLE



NOTES:

- 1 PACK IN ACCORDANCE WITH TE SPEC 107-3275;
- 2 ALL DIMENSIONS ARE NOMINAL FOR REFERENCE ONLY UNLESS OTHERWISE STATED;
- 3 ELECTRICAL CHARACTERISTICS :  
 FREQUENCY RANGE : DC-3GHz  
 NOMINAL IMPEDANCE : 75 OHMS  
 INSULATION RESISTANCE : 5000 MOHMS  
 WORKING VOLTAGE : 335 VRMS MAX  
 DIELECTRIC WITHSTANDING VOLTAGE : 750 VOLTS MAX  
 VSWR : 1.2 MAX (DC-3GHz)  
 CONTACT RESISTANCE :  
 CENTER CONTACT : 3 mOHMS MAX  
 OUTER CONTACT : 2 mOHMS MAX;
- 4 MECHANICAL CHARACTERISTICS :  
 DURABILITY : 500 CYCLES
- 5 TEMPERATURE RANGE: -65°-+165°;
- 6 RoHS: COMPLIANT.

QTY	DESCRIPTION	MATERIAL	DESCRIPTION	ITEM
1	NATURAL	PTFE	INSULATOR	5
1	GOLD 50u"/NICKEL/COPPER	BRASS	CONTACT PIN	4
1	GOLD 50u"/NICKEL/COPPER	BERYLLIUM COPPER	CONTACT PIN	3
1	NATURAL	PTFE	INSULATOR	2
1	NICKEL 100u"/COPPER	ZINC DIECAST	BODY	1
2466268-1		PLATING	MATERIAL	DESCRIPTION
QUANTITY PER ASSY		PARTS LIST		

THIS DRAWING IS A CONTROLLED DOCUMENT.

DWN	ED	03JUL2023	TE Connectivity
CHK	ED	03JUL2023	
APVD	WH	03JUL2023	
NAME			BNC JACK,PCB MOUNTING HOLE, RIGHT ANGLE,75OHM,3GHZ
PRODUCT SPEC			-
APPLICATION SPEC			-
WEIGHT			-
MATERIAL			SEE TABLE
FINISH			-
CUSTOMER DRAWING			SCALE 8:1 SHEET 1 OF 1 REV A1

2466268

## X-ON Electronics

Largest Supplier of Electrical and Electronic Components

*Click to view similar products for [RF Connectors](#) / [Coaxial Connectors](#) category:*

*Click to view products by [TE Connectivity](#) manufacturer:*

Other Similar products are found below :

[89674-0827](#) [6059674-1](#) [630059-000](#) [6501-1071-002](#) [6769](#) [7002-1541-010](#) [7002-1572-002](#) [7004-1512-000](#) [7009-1511-004](#) [7101-1541-010](#)  
[7101-1571-002](#) [7105-1521-002](#) [7203-1571-003](#) [7209-1511-011](#) [7210-1511-040](#) [7242-1511-000](#) [7405-1521-005](#) [7405-1521-802](#)  
[804S01D04M040](#) [8527](#) [8547](#) [FS11V](#) [877931](#) [8808-1511-001](#) [9049-9513-000](#) [9074-9513-000](#) [PL11C-026](#) [PL40-36](#) [9408-1113-000](#) [980-](#)  
[8666-005](#) [11 SMA-50-2-6 / 111 NE](#) [11 SMA-50-3-6 / 111 NE](#) [1-201144-1](#) [120919](#) [R107003010W](#) [R112186000](#) [R113053000W](#) [R113082097](#)  
[R113236000](#) [R114083000](#) [R114670000W](#) [R123415000W](#) [R124076320](#) [R124076450](#) [R124175123](#) [R125075000W](#) [R125075001](#)  
[R125172000W](#) [R125415030](#) [R141007161](#)