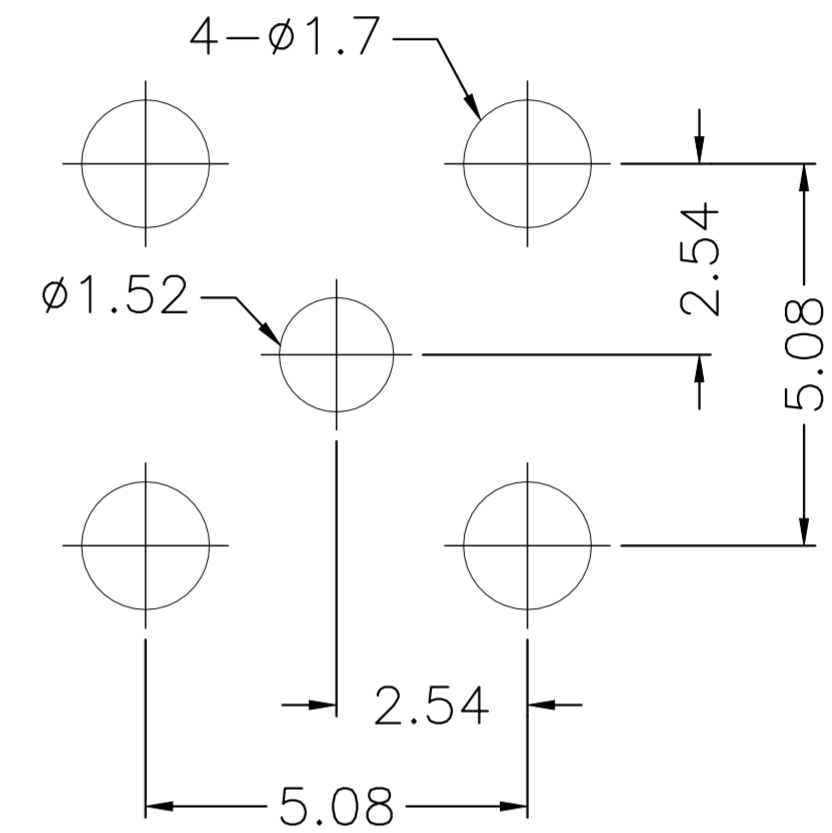
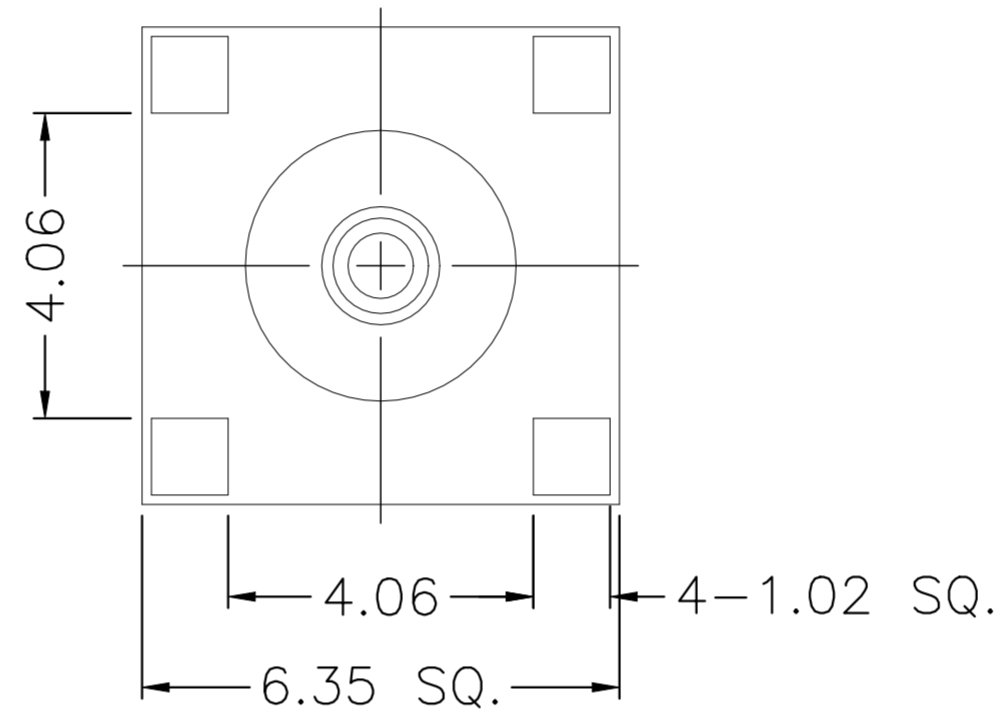
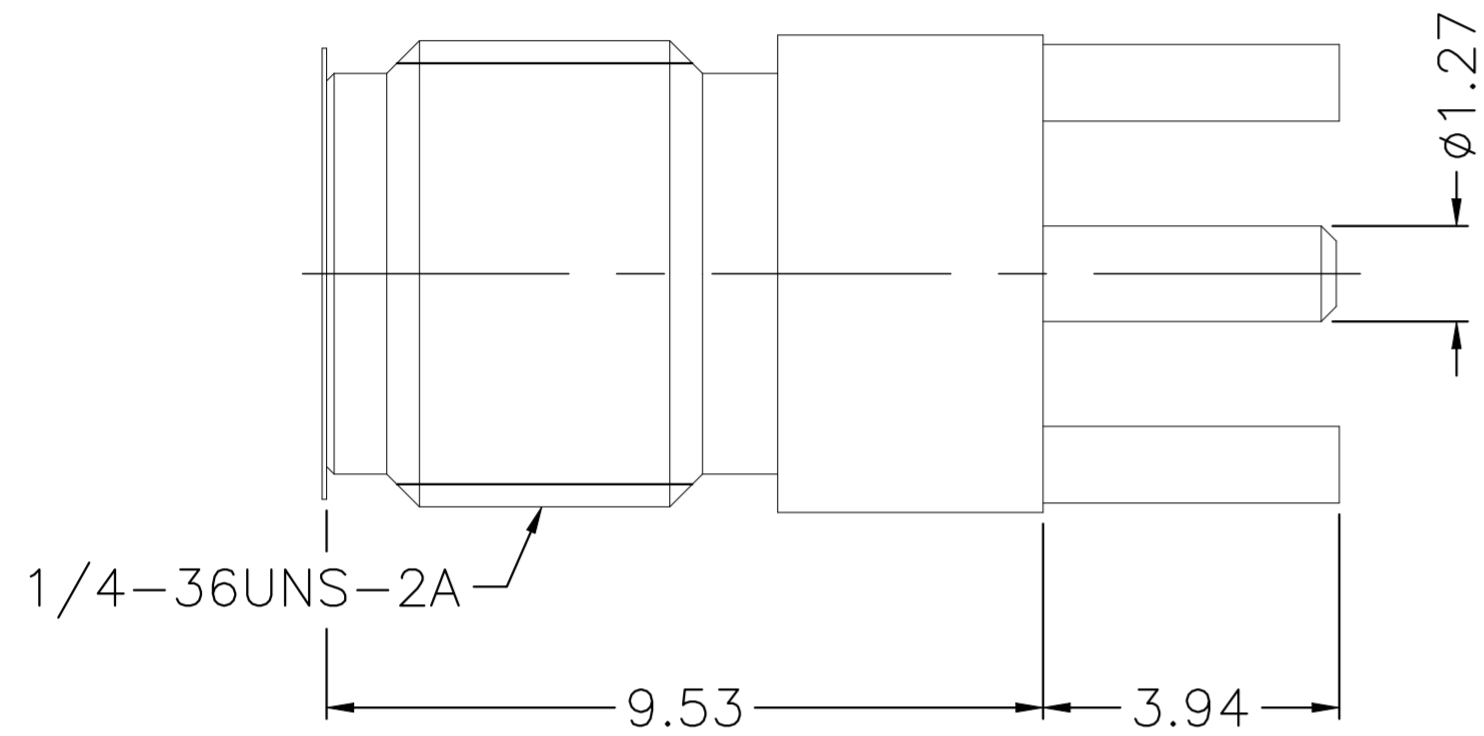


REVISIONS					
P	LTR	DESCRIPTION	DATE	DWN	APVD
	A	GTP(ECN-23-230362)	11SEP2023	ED	WH



PCB MOUNTING HOLE

NOTES:

- 1 PACK IN ACCORDANCE WITH TE SPEC 107-3275;
- 2 ALL DIMENSIONS ARE NOMINAL FOR REFERENCE ONLY UNLESS OTHERWISE STATED;
- 3 ELECTRICAL CHARACTERISTICS :  
 FREQUENCY RANGE : DC-18GHz  
 NOMINAL IMPEDANCE : 50 OHMS  
 INSULATION RESISTANCE : 5000 MOHMS  
 WORKING VOLTAGE : 335 VRMS MAX  
 DIELECTRIC WITHSTANDING VOLTAGE : 750 VOLTS MAX  
 VSWR : 1.3(DC-18GHz)  
 CONTACT RESISTANCE :  
 CENTER CONTACT : 3 mOHMS MAX  
 OUTER CONTACT : 2 mOHMS MAX;
- 4 MECHANICAL CHARACTERISTICS :  
 DURABILITY : 500 CYCLES  
 TORQUE SETTING : 7-10 IN-LBS;
- 5 TEMPERATURE RANGE: -65°-+165°;
- 6 TAPE AND REEL PACKAGING. 300PCS/REEL.
- 7 RoHS: COMPLIANT.

QUANTITY PER ASSY	DESCRIPTION	MATERIAL	DESCRIPTION	ITEM
1	-	MYLAR		4
1	GOLD 50u"/ NICKEL/COPPER	BERYLLIUM COPPER	CENTER CONTACT	3
1	NATURAL	PTFE	INSULATOR	2
1	GOLD 30u"/ NICKEL/COPPER	BRASS	BODY	1
2466279-1	PLATING	MATERIAL	DESCRIPTION	ITEM

THIS DRAWING IS A CONTROLLED DOCUMENT.

DWN	ED	10SEP2023	 TE Connectivity	NAME SMA JACK,PCB THROUGH HOLE, STRAIGHT,DC-18GHZ
CHK	ED	10SEP2023		
APVD	WH	10SEP2023		
PRODUCT SPEC	-	-		
APPLICATION SPEC	-	-	SIZE	A2
WEIGHT	0	00779	DRAWING NO	C=2466279
MATERIAL	SEE TABLE	-	RESTRICTED TO	-
CUSTOMER DRAWING			SCALE	8:1
			SHEET	1 OF 1
			REV	A

## X-ON Electronics

Largest Supplier of Electrical and Electronic Components

*Click to view similar products for [RF Connectors](#) / [Coaxial Connectors](#) category:*

*Click to view products by [TE Connectivity](#) manufacturer:*

Other Similar products are found below :

[89674-0827](#) [6059674-1](#) [630059-000](#) [6501-1071-002](#) [6769](#) [7002-1541-010](#) [7002-1572-002](#) [7004-1512-000](#) [7009-1511-004](#) [7101-1541-010](#)  
[7101-1571-002](#) [7105-1521-002](#) [7203-1571-003](#) [7209-1511-011](#) [7210-1511-040](#) [7242-1511-000](#) [7405-1521-005](#) [7405-1521-802](#)  
[804S01D04M040](#) [8527](#) [8547](#) [FS11V](#) [877931](#) [8808-1511-001](#) [9049-9513-000](#) [9074-9513-000](#) [PL11C-026](#) [PL40-36](#) [9408-1113-000](#) [980-](#)  
[8666-005](#) [11 SMA-50-2-6 / 111 NE](#) [11 SMA-50-3-6 / 111 NE](#) [1-201144-1](#) [120919](#) [R107003010W](#) [R112186000](#) [R113053000W](#) [R113082097](#)  
[R113236000](#) [R114083000](#) [R114670000W](#) [R123415000W](#) [R124076320](#) [R124076450](#) [R124175123](#) [R125075000W](#) [R125075001](#)  
[R125172000W](#) [R125415030](#) [R141007161](#)