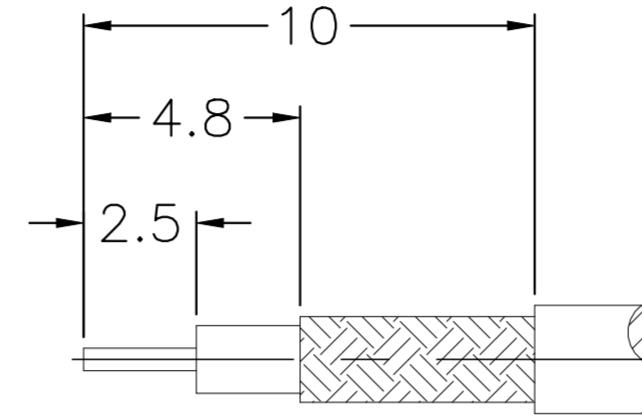
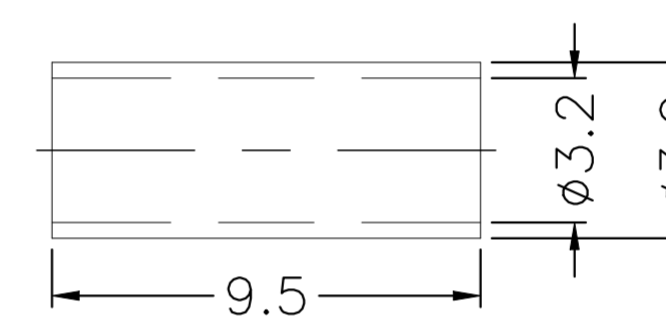
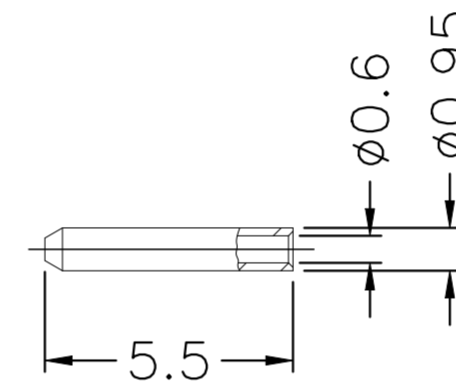
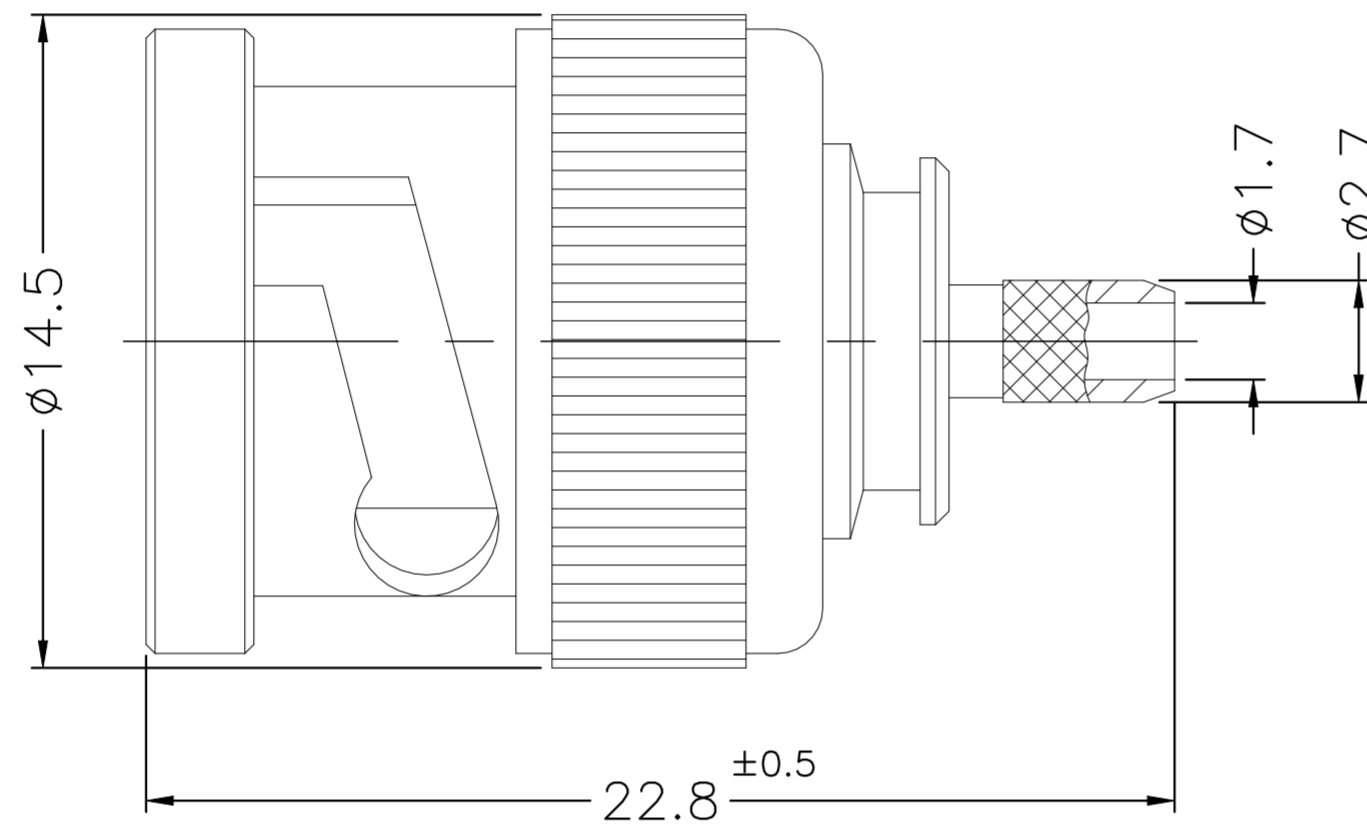


REVISIONS					
P	LTR	DESCRIPTION	DATE	DWN	APVD
	A	GTP(ECN-23-231219)	15SEP2023	ED	WH



RECOMMENDED CABLE STRIPPING DIM'S



NOTES:

- 1 PACK IN ACCORDANCE WITH TE SPEC 107-3275;
- 2 ALL DIMENSIONS ARE NOMINAL FOR REFERENCE ONLY UNLESS OTHERWISE STATED;
- 3 ELECTRICAL CHARACTERISTICS :
 FREQUENCY RANGE : DC-4GHz
 NOMINAL IMPEDANCE : 50 OHMS
 INSULATION RESISTANCE : 5000 MOHMS
 WORKING VOLTAGE : 335 VRMS MAX
 DIELECTRIC WITHSTANDING VOLTAGE : 750 VOLTS MAX
 VSWR : 1.2 MAX (DC-4GHz)
 CONTACT RESISTANCE :
 CENTER CONTACT : 3 mOHMS MAX
 OUTER CONTACT : 2 mOHMS MAX;
- 4 MECHANICAL CHARACTERISTICS :
 DURABILITY : 500 CYCLES
 CABLE RETENTION FORCE(Cable assembly): 10 lbs min.
- 5 TEMPERATURE RANGE: -65°-+165°;
- 6 CRIMPED FERRULE,HEX CRIMP SIZE .128";
 CRIMPED CONTACT PIN,SQ. CRIMP SIZE 0.7mm;
- 7 RoHS: COMPLIANT.

QTY	DESCRIPTION	MATERIAL	DESCRIPTION	ITEM
1	BRIGHT TIN 200u"/NICKEL/COPPER	BRASS	FERRULE	10
1	GOLD 50u"/NICKEL/COPPER	BRASS	CONTACT PIN	9
1	NICKEL 100u"/COPPER	BRASS	WASHER	8
1	NICKEL 100u"/COPPER	SK5	SPRING	7
1	RED	SILICONE	GASKET	6
1	NICKEL 100u"/COPPER	BRASS	BARREL	5
1	GOLD 50u"/NICKEL/COPPER	PHOSPHOR BRONZE	CONTACT PIN	4
1	NATURAL	PTFE	INSULATOR	3
1	NICKEL 100u"/COPPER	BERYLLIUM COPPER	OUTER CONTACT	2
1	NICKEL 100u"/COPPER	BRASS	SHELL	1
2466287-1	PLATING	MATERIAL	DESCRIPTION	ITEM

THIS DRAWING IS A CONTROLLED DOCUMENT.

DWN	ED	11SEP2023		TE Connectivity	
CHK	ED	11SEP2023		BNC PLUG,STRAIGHT,CRIMP, MATCH WITH RG174,188,316,4GHZ	
APVD	WH	11SEP2023		-	
DIMENSIONS: mm			PRODUCT SPEC	SIZE	A2
			APPLICATION SPEC	CAGE CODE	00779
0 PLC ± 0.3 1 PLC ± 0.2 2 PLC ± 0.1 3 PLC ± - 4 PLC ± - ANGLES ± 5°			WEIGHT	DRAWING NO	C=2466287
MATERIAL SEE TABLE			CUSTOMER DRAWING	SCALE	8:1

RESTRICTED TO: -

SHEET 1 OF 1 REV A

X-ON Electronics

Largest Supplier of Electrical and Electronic Components

Click to view similar products for [RF Connectors / Coaxial Connectors](#) category:

Click to view products by [TE Connectivity](#) manufacturer:

Other Similar products are found below :

[89674-0827](#) [6059674-1](#) [630059-000](#) [6501-1071-002](#) [6769](#) [7002-1541-010](#) [7002-1572-002](#) [7004-1512-000](#) [7009-1511-004](#) [7101-1541-010](#)
[7101-1571-002](#) [7105-1521-002](#) [7203-1571-003](#) [7209-1511-011](#) [7210-1511-040](#) [7242-1511-000](#) [7405-1521-005](#) [7405-1521-802](#)
[804S01D04M040](#) [8527](#) [8547](#) [FS11V](#) [877931](#) [8808-1511-001](#) [9049-9513-000](#) [9074-9513-000](#) [PL11C-026](#) [PL40-36](#) [9408-1113-000](#) [980-](#)
[8666-005](#) [11 SMA-50-2-6 / 111 NE](#) [11 SMA-50-3-6 / 111 NE](#) [1-201144-1](#) [120919](#) [R107003010W](#) [R112186000](#) [R113053000W](#) [R113082097](#)
[R113236000](#) [R114083000](#) [R114670000W](#) [R123415000W](#) [R124076320](#) [R124076450](#) [R124175123](#) [R125075000W](#) [R125075001](#)
[R125172000W](#) [R125415030](#) [R141007161](#)