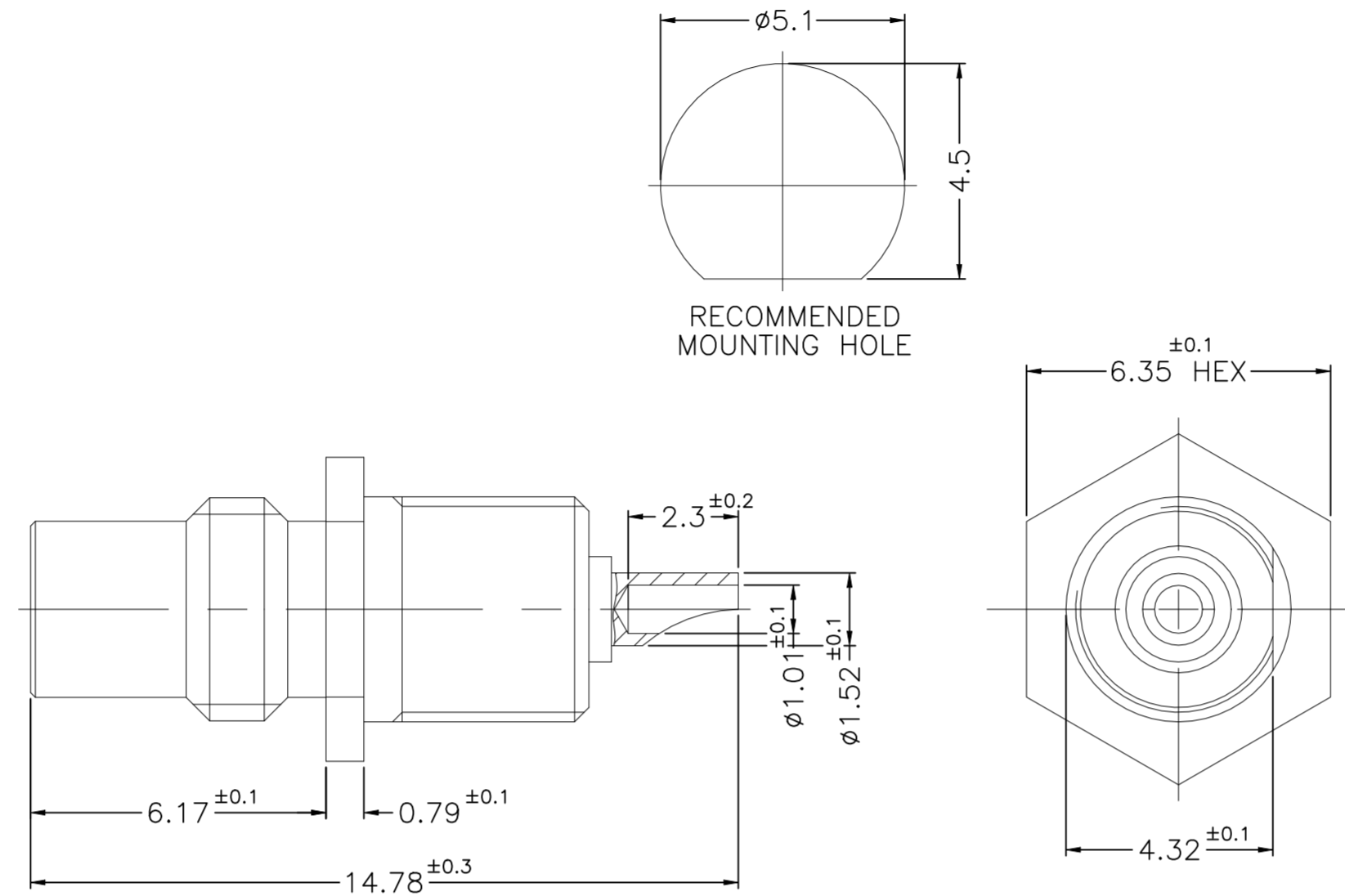


REVISIONS					
P	LTR	DESCRIPTION	DATE	DWN	APVD
A		ECN-24-261719 (GTP)	19AR2024	SS	WH



SPECIFICATIONS:

1. IMPEDANCE: 50Ω
2. FREQUENCY RANGE: (DC-6 GHz), (6-10GHz)
3. VSWR/RL: 1.2(DC-6GHz)/20.83dB min, 1.3(6-10GHz)/ 17.7dB min.
4. CONTACT RESISTANCE:
 CENTER: 6 milliohms max.
 OUTER: 2.5 milliohms max.
5. TEMPERATURE RANGE: -65°C TO +165°C
6. DURABILITY: 500 cycles min.
7. ENGAGEMENT AND DISENGAGEMENT FORCE:
 ENGAGEMENT: 0.3 N-m. max.
 DISENGAGEMENT: 0.3 N-m. max.

FINISH (PLATING THICKNESS IN MICRO-INCHES)

- ▲ GOLD PL. 30 MIN. THICK OVER NICKEL PL. 50 MIN. THICK OVER COPPER PL. 50 MIN. THICK
- ▲ GOLD PL. 50 MIN. THICK OVER NICKEL PL. 50 MIN. THICK OVER COPPER PL. 50 MIN. THICK

QUANTITY PER ASSY	FINISH	MATERIAL	DESCRIPTION	ITEM
1	2	BRASS	CONTACT PIN	3
1	NATURAL	PTFE	INSULATOR	2
1	1	BRASS	BODY	1
2477166-1				

THIS DRAWING IS A CONTROLLED DOCUMENT.		DWN 11MAR2024 SIDDHARTH SINGH		
		CHK 11MAR2024 ERIC DAI		
		APVD 11MAR2024 WENKE HE	NAME SMC Jack Str Rear BHD Solder Cup 10 Ghz	
DIMENSIONS: mm		TOLERANCES UNLESS OTHERWISE SPECIFIED:	PRODUCT SPEC 108-161209	
		0 PLC ± 0.3 1 PLC ± 0.2 2 PLC ± 0.1 3 PLC ± - 4 PLC ± - ANGLES ± 5	APPLICATION SPEC -	
MATERIAL		FINISH	WEIGHT	RESTRICTED TO
-		-	-	-
		CUSTOMER DRAWING	SCALE 1:1	SHEET 1 OF 1

2477166

X-ON Electronics

Largest Supplier of Electrical and Electronic Components

Click to view similar products for [RF Connectors](#) / [Coaxial Connectors](#) category:

Click to view products by [TE Connectivity](#) manufacturer:

Other Similar products are found below :

[89674-0827](#) [6059674-1](#) [630059-000](#) [6501-1071-002](#) [6769](#) [7002-1541-010](#) [7002-1572-002](#) [7004-1512-000](#) [7009-1511-004](#) [7101-1541-010](#)
[7101-1571-002](#) [7105-1521-002](#) [7203-1571-003](#) [7209-1511-011](#) [7210-1511-040](#) [7242-1511-000](#) [7405-1521-005](#) [7405-1521-802](#)
[804S01D04M040](#) [8527](#) [8547](#) [FS11V](#) [877931](#) [8808-1511-001](#) [9049-9513-000](#) [9074-9513-000](#) [PL11C-026](#) [PL40-36](#) [9408-1113-000](#) [980-](#)
[8666-005](#) [11 SMA-50-2-6 / 111 NE](#) [11 SMA-50-3-6 / 111 NE](#) [1-201144-1](#) [120919](#) [R107003010W](#) [R112186000](#) [R113053000W](#) [R113082097](#)
[R113236000](#) [R114083000](#) [R114670000W](#) [R123415000W](#) [R124076320](#) [R124076450](#) [R124175123](#) [R125075000W](#) [R125075001](#)
[R125172000W](#) [R125415030](#) [R141007161](#)