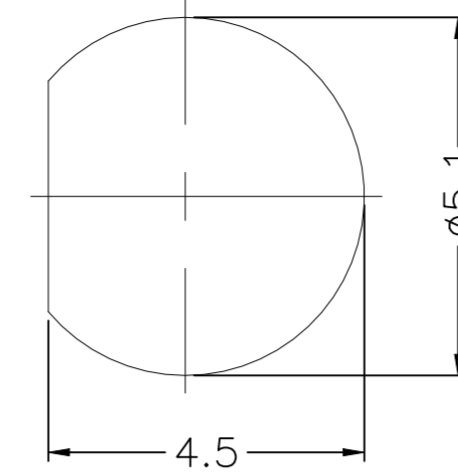
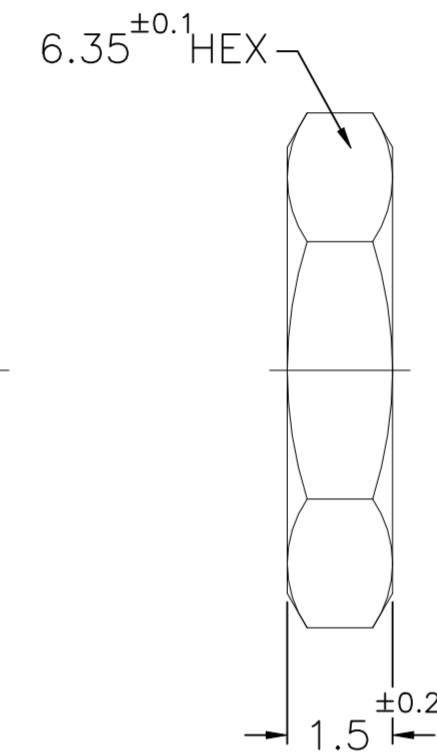
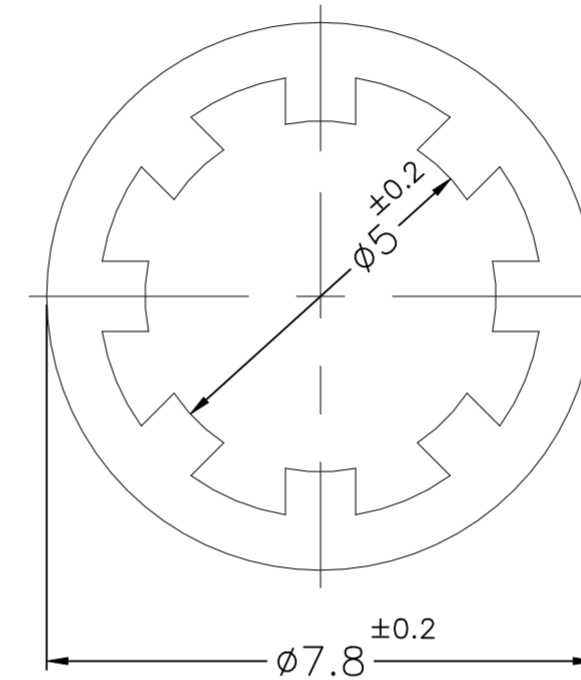
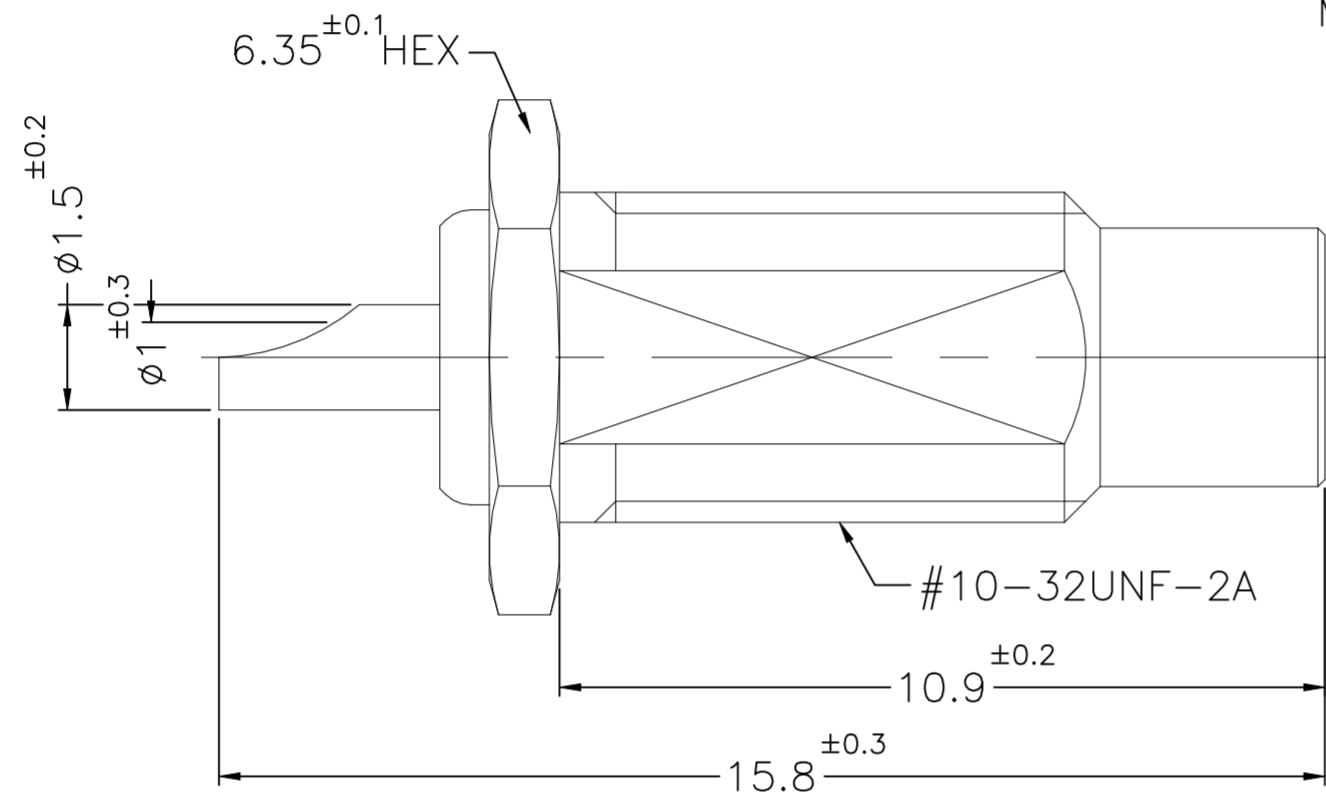


REVISIONS					
P	LTR	DESCRIPTION	DATE	DWN	APVD
A		ECN-24-261719 (GTP)	19APR2024	SS	WH



RECOMMENDED MOUNTING HOLE



SPECIFICATIONS:

1. IMPEDANCE: 50Ω
2. FREQUENCY: DC to 10 GHz
3. VSWR/RL: 1.2 max./ 20.83dB min (DC TO 6 GHz).  
1.3 max./ 17.7dB min (6 TO 10 GHz).
4. CONTACT RESISTANCE:  
CENTER: 6 milliohms max.  
OUTER: 2.5 milliohms max.
5. TEMPERATURE RANGE: -65°C TO +165°C
6. DURABILITY: 500 cycles min.
7. ENGAGEMENT AND DISENGAGEMENT FORCE:  
ENGAGEMENT: 0.3 N-m. max.  
DISENGAGEMENT: 0.3 N-m. max.

FINISH (PLATING THICKNESS IN MICRO-INCHES)

① THIN GOLD OVER NICKEL PL. 50 MIN. THICK OVER COPPER PL. 50 MIN. THICK

② GOLD PL. 30 MIN. THICK OVER NICKEL PL. 50 MIN. THICK OVER COPPER PL. 50 MIN. THICK

QTY	DESCRIPTION	MATERIAL	ITEM
1	△	BRASS	NUT
1	△	BRASS	LOCK WASHER
1	△	BRASS	CONTACT PIN
1	NATURAL	PTFE	INSULATOR
1	△	BRASS	BODY
2477167-1	PLATING	MATERIAL	DESCRIPTION

THIS DRAWING IS A CONTROLLED DOCUMENT.		DWN 11MAR2024 SIDDHARTH SINGH		
		CHK 11MAR2024 ERIC DAI		
		APVD 11MAR2024 WENKE HE	NAME SMC Jack Str Front BHD Solder Cup 10 Ghz	
DIMENSIONS: mm		TOLERANCES UNLESS OTHERWISE SPECIFIED:	PRODUCT SPEC 108-161209	
		0 PLC ± 0.3 1 PLC ± 0.2 2 PLC ± 0.1 3 PLC ± - 4 PLC ± - ANGLES ± 5	APPLICATION SPEC -	
MATERIAL -		FINISH -	WEIGHT -	SIZE A2
		CUSTOMER DRAWING		CAGE CODE 00779
		DRAWING NO C=2477167		RESTRICTED TO -
		SCALE 1:1		SHEET 1 OF 1
		REV A		

## X-ON Electronics

Largest Supplier of Electrical and Electronic Components

*Click to view similar products for [RF Connectors](#) / [Coaxial Connectors](#) category:*

*Click to view products by [TE Connectivity](#) manufacturer:*

Other Similar products are found below :

[89674-0827](#) [6059674-1](#) [630059-000](#) [6501-1071-002](#) [6769](#) [7002-1541-010](#) [7002-1572-002](#) [7004-1512-000](#) [7009-1511-004](#) [7101-1541-010](#)  
[7101-1571-002](#) [7105-1521-002](#) [7203-1571-003](#) [7209-1511-011](#) [7210-1511-040](#) [7242-1511-000](#) [7405-1521-005](#) [7405-1521-802](#)  
[804S01D04M040](#) [8527](#) [8547](#) [FS11V](#) [877931](#) [8808-1511-001](#) [9049-9513-000](#) [9074-9513-000](#) [PL11C-026](#) [PL40-36](#) [9408-1113-000](#) [980-](#)  
[8666-005](#) [11 SMA-50-2-6 / 111 NE](#) [11 SMA-50-3-6 / 111 NE](#) [1-201144-1](#) [120919](#) [R107003010W](#) [R112186000](#) [R113053000W](#) [R113082097](#)  
[R113236000](#) [R114083000](#) [R114670000W](#) [R123415000W](#) [R124076320](#) [R124076450](#) [R124175123](#) [R125075000W](#) [R125075001](#)  
[R125172000W](#) [R125415030](#) [R141007161](#)