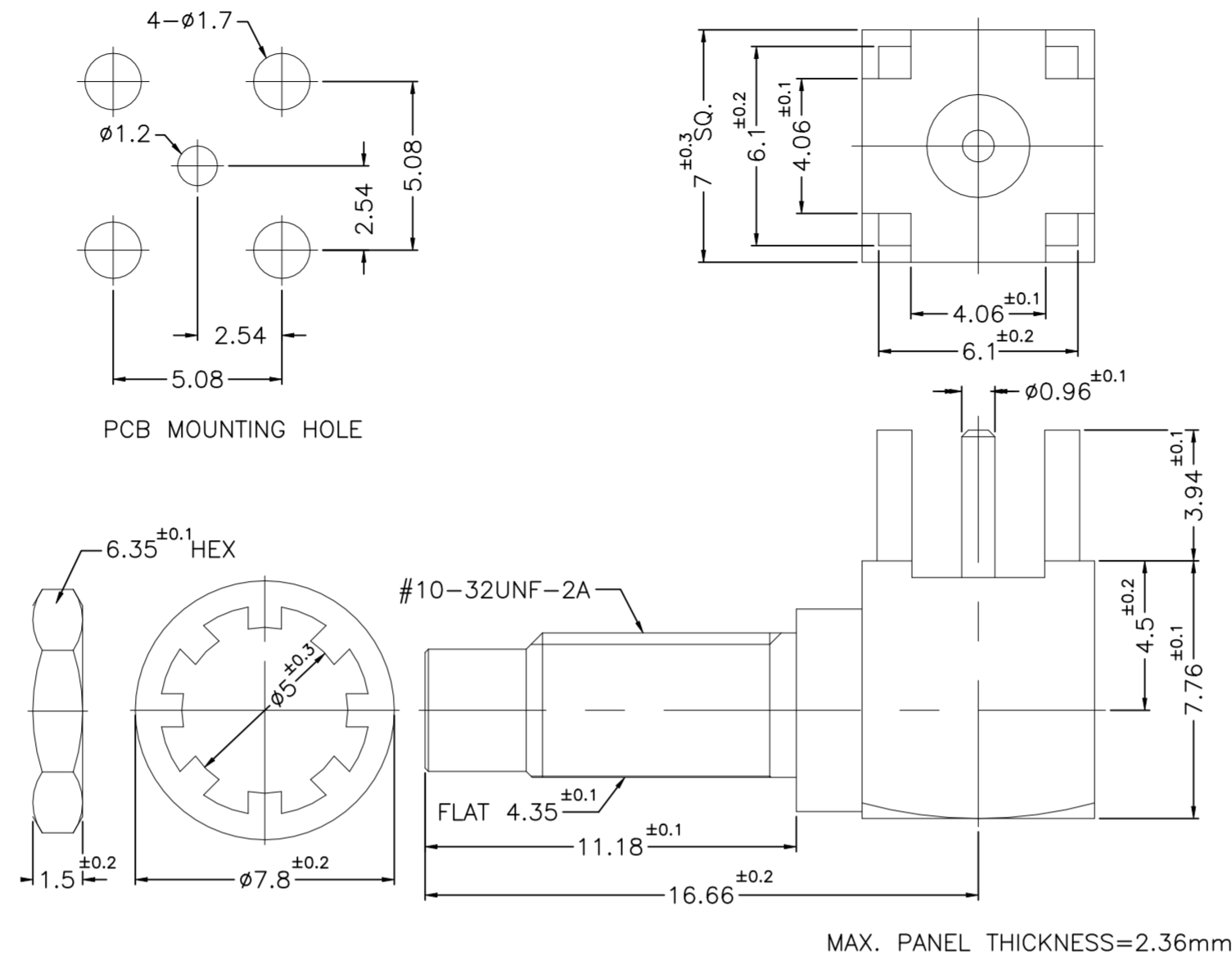


REVISIONS					
P	LTR	DESCRIPTION	DATE	DWN	APVD
A		ECN-24-261719 (GTP)	19APRIL2024	SS	WH



SPECIFICATIONS:

1. IMPEDANCE: 50Ω
2. FREQUENCY RANGE: (DC-6 GHz), (6-10GHz)
3. VSWR/RL: 1.2(DC-6GHz)20.83dB min, 1.4(6-10GHz)/ 15.56dB min.
4. CONTACT RESISTANCE:
CENTER: 6 milliohms max.
OUTER: 2.5 milliohms max.
5. TEMPERATURE RANGE: -65°C TO +165°C
6. DURABILITY: 500 cycles min.
7. ENGAGEMENT AND DISENGAGEMENT FORCE:
ENGAGEMENT: 0.3 N-m. max.
DISENGAGEMENT: 0.3 N-m. max.

FINISH (PLATING THICKNESS IN MICRO-INCHES)

- ① BRASS
- ② GOLD PL. 10 MIN. THICK OVER NICKEL PL. 50 MIN. THICK OVER COPPER PL. 50 MIN. THICK
- ③ PTFE
- ④ GOLD PL. 30 MIN. THICK OVER NICKEL PL. 50 MIN. THICK OVER COPPER PL. 50 MIN. THICK
- ⑤ THIN GOLD OVER NICKEL PL. 50 MIN. THICK OVER COPPER PL. 50 MIN. THICK

QTY	DESCRIPTION	MATERIAL	ITEM
6	HEX NUT		6
5	LOCK WASHER		5
4	CONTACT PIN		4
3	INSULATOR		3
2	BODY		2
1	HOUSING		1
1	PLATING	MATERIAL	DESCRIPTION

QUANTITY PER ASSY		PARTS LIST			
1	②	①	③	④	⑤
1	②	①	③	④	⑤
1	②	①	③	④	⑤
2	NATURAL	③	④	⑤	
1	②	①	③	④	⑤
1	②	①	③	④	⑤
2477170-1	PLATING	MATERIAL	DESCRIPTION	ITEM	

THIS DRAWING IS A CONTROLLED DOCUMENT.

DWN	20MAR2024	SIDDHARTH SINGH
CHK	20MAR2024	ERIC DAI
APVD	20MAR2024	WENKE HE
PRODUCT SPEC	108-161209	
APPLICATION SPEC		
WEIGHT	-	
CUSTOMER DRAWING	SCALE 1:1	SHEET 1 OF 1

NAME: SMC Jack RA Panel Mnt Thru Hole 10 Ghz

SIZE: A2 CAGE CODE: 00779 DRAWING NO: C=2477170 RESTRICTED TO: -

SCALE: 1:1 SHEET: 1 OF 1 REV: A

X-ON Electronics

Largest Supplier of Electrical and Electronic Components

Click to view similar products for [RF Connectors / Coaxial Connectors](#) category:

Click to view products by [TE Connectivity](#) manufacturer:

Other Similar products are found below :

[89674-0827](#) [6059674-1](#) [630059-000](#) [6501-1071-002](#) [6769](#) [7002-1541-010](#) [7002-1572-002](#) [7004-1512-000](#) [7009-1511-004](#) [7101-1541-010](#)
[7101-1571-002](#) [7105-1521-002](#) [7203-1571-003](#) [7209-1511-011](#) [7210-1511-040](#) [7242-1511-000](#) [7405-1521-005](#) [7405-1521-802](#)
[804S01D04M040](#) [8527](#) [8547](#) [FS11V](#) [877931](#) [8808-1511-001](#) [9049-9513-000](#) [9074-9513-000](#) [PL11C-026](#) [PL40-36](#) [9408-1113-000](#) [980-](#)
[8666-005](#) [11 SMA-50-2-6 / 111 NE](#) [11 SMA-50-3-6 / 111 NE](#) [1-201144-1](#) [120919](#) [R107003010W](#) [R112186000](#) [R113053000W](#) [R113082097](#)
[R113236000](#) [R114083000](#) [R114670000W](#) [R123415000W](#) [R124076320](#) [R124076450](#) [R124175123](#) [R125075000W](#) [R125075001](#)
[R125172000W](#) [R125415030](#) [R141007161](#)