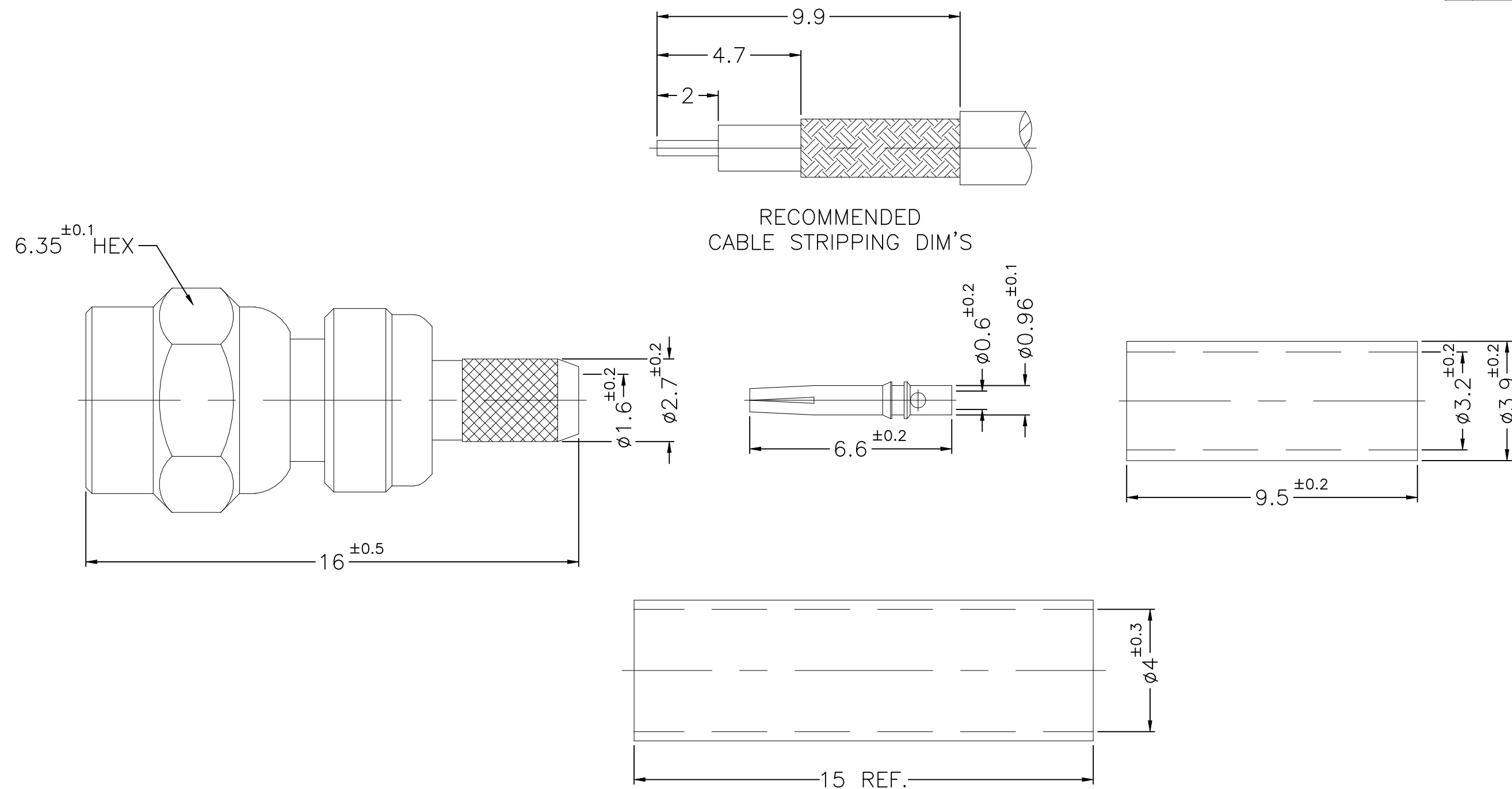


REVISIONS					
P	LTR	DESCRIPTION	DATE	DWN	APVD
A		ECN-24-261719 (GTP)	19APR2024	SS	WH



RECOMMENDED
CABLE STRIPPING DIM'S

- 1. CRIMPED FERRULE
HEX CRIMP SIZE .128"
- 2. CONTACT PIN TO SOLDER

- FINISH (PLATING THICKNESS IN MICRO-INCHES)
- 1. BRASS
 - 2. GOLD PL. 3 MIN. THICK OVER NICKEL PL. 50 MIN. THICK OVER COPPER PL. 50 MIN. THICK
 - 3. BERYLLIUM COPPER
 - 4. GOLD PL. 30 MIN. THICK OVER NICKEL PL. 50 MIN. THICK OVER COPPER PL. 50 MIN. THICK
 - 5. PTFE
6. ALL DIMENSIONS ARE NOMINAL FOR REFERENCE ONLY UNLESS OTHERWISE STATED;
7. RoHS & REACH: COMPLIANT.

SPECIFICATIONS:

- 1. IMPEDANCE: 50Ω
- 2. FREQUENCY: DC to 6 GHz
- 3. VSWR/RL: 1.2 max./ 20.83dB min.
- 4. CONTACT RESISTANCE:
CENTER: 6 milliohms max.
OUTER: 2.5 milliohms max.
- 5. TEMPERATURE RANGE: -65°C TO +165°C
- 6. DURABILITY: 500 cycles min.
- 7. ENGAGEMENT AND DISENGAGEMENT FORCE:
ENGAGEMENT: 0.3 N-m. max.
DISENGAGEMENT: 0.3 N-m. max.

QTY	DESCRIPTION	MATERIAL	PLATING	FINISH	ITEM
1	HEAT SHRINK TUBING	-	-	-	8
1	FERRULE	-	-	-	7
1	CONTACT PIN	-	-	-	6
1	BARREL	-	-	-	5
1	INSULATOR	NATURAL	-	-	4
1	INSULATOR	NATURAL	-	-	3
1	BODY	-	-	-	2
1	SHELL	-	-	-	1
2477171-1	PLATING	MATERIAL	DESCRIPTION	ITEM	

THIS DRAWING IS A CONTROLLED DOCUMENT.		DWN SIDDHARTH SINGH 20MAR2024		
DIMENSIONS: mm		CHK ERIC DAI 20MAR2024		
TOLERANCES UNLESS OTHERWISE SPECIFIED:		APVD WENKE HE 20MAR2024	NAME SMC Plug Str Crimp RG174 188 316 6 Ghz RG-174/U, 188A/U, 316/U	
0 PLC ± 0.3 1 PLC ± 0.2 2 PLC ± 0.1 3 PLC ± - 4 PLC ± - ANGLES ± 5		PRODUCT SPEC -	SIZE A2	
MATERIAL -		FINISH -	CAGE CODE 00779	DRAWING NO C=2477171
		WEIGHT -	RESTRICTED TO -	
		CUSTOMER DRAWING	SCALE 1:1	SHEET 1 of 1

X-ON Electronics

Largest Supplier of Electrical and Electronic Components

Click to view similar products for [RF Connectors](#) / [Coaxial Connectors](#) category:

Click to view products by [TE Connectivity](#) manufacturer:

Other Similar products are found below :

[89674-0827](#) [6059674-1](#) [630059-000](#) [6501-1071-002](#) [6769](#) [7002-1541-010](#) [7002-1572-002](#) [7004-1512-000](#) [7009-1511-004](#) [7101-1541-010](#)
[7101-1571-002](#) [7105-1521-002](#) [7203-1571-003](#) [7209-1511-011](#) [7210-1511-040](#) [7242-1511-000](#) [7405-1521-005](#) [7405-1521-802](#)
[804S01D04M040](#) [8527](#) [8547](#) [FS11V](#) [877931](#) [8808-1511-001](#) [9049-9513-000](#) [9074-9513-000](#) [PL11C-026](#) [PL40-36](#) [9408-1113-000](#) [980-](#)
[8666-005](#) [11 SMA-50-2-6 / 111 NE](#) [11 SMA-50-3-6 / 111 NE](#) [1-201144-1](#) [120919](#) [R107003010W](#) [R112186000](#) [R113053000W](#) [R113082097](#)
[R113236000](#) [R114083000](#) [R114670000W](#) [R123415000W](#) [R124076320](#) [R124076450](#) [R124175123](#) [R125075000W](#) [R125075001](#)
[R125172000W](#) [R125415030](#) [R141007161](#)