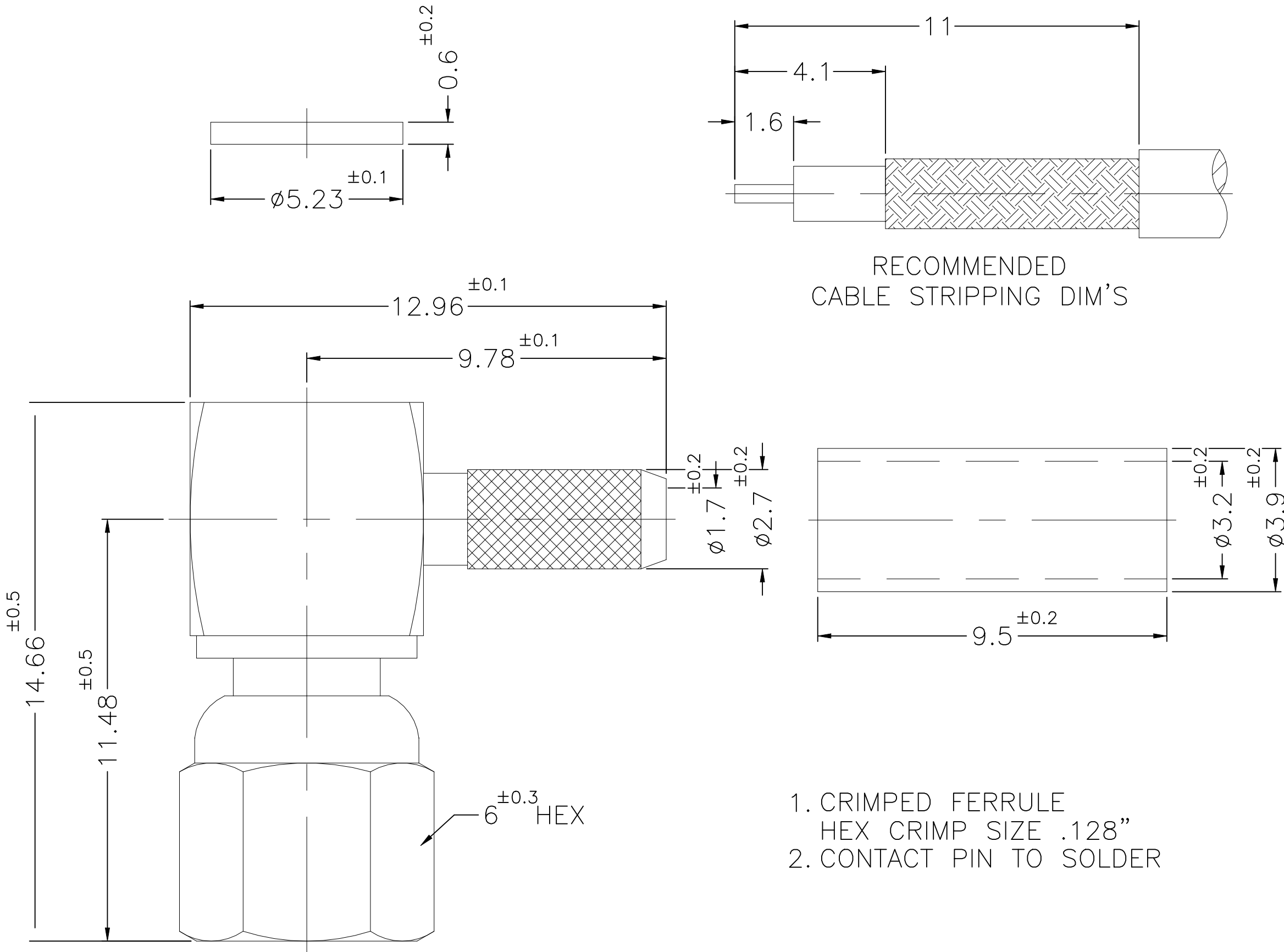


REVISIONS					
P	LTR	DESCRIPTION	DATE	DWN	APVD
A		ECN-24-261719 (GTP)	19APR2024	SS	WH



RECOMMENDED
CABLE STRIPPING DIM'S

1. CRIMPED FERRULE
HEX CRIMP SIZE .128"
2. CONTACT PIN TO SOLDER

SPECIFICATIONS:

1. IMPEDANCE: 50Ω
2. FREQUENCY RANGE: DC-6 GHz
3. VSWR/RL: 1.3(DC-6GHz)/ 17.7dB min.
4. CONTACT RESISTANCE:
CENTER: 6 milliohms max.
OUTER: 2.5 milliohms max.
5. TEMPERATURE RANGE: -65°C TO +165°C
6. DURABILITY: 500 cycles min.
7. ENGAGEMENT AND DISENGAGEMENT FORCE:
ENGAGEMENT: 0.3 N-m. max.
DISENGAGEMENT: 0.3 N-m. max.

FINISH (PLATING THICKNESS IN MICRO-INCHES)

- 1. BRASS
- 2. GOLD PL. 3 MIN. THICK OVER NICKEL PL. 50 MIN. THICK OVER COPPER PL. 50 MIN. THICK
- 3. BERYLLIUM COPPER
- 4. GOLD PL. 30 MIN. THICK OVER NICKEL PL. 50 MIN. THICK OVER COPPER PL. 50 MIN. THICK
- 5. PTFE

QTY	DESCRIPTION	PLATING	MATERIAL	DESCRIPTION	ITEM
1	FERRULE				7
1	COVER				6
1	CONTACT PIN				5
1	INSULATOR	NATURAL			4
1	HOUSING				3
1	BODY				2
1	SHELL				1
2477172-1	PLATING				

THIS DRAWING IS A CONTROLLED DOCUMENT.

DWN SIDDHARTH SINGH 20MAR2024	NAME SMC Plug RA Crimp RG174 188 316 6 Ghz RG-174/U, 188A/U, 316/U
CHK ERIC DAI 20MAR2024	SIZE A2
APVD WENKE HE 20MAR2024	CAGE CODE 00779
PRODUCT SPEC -	DRAWING NO C=2477172
APPLICATION SPEC -	RESTRICTED TO -
MATERIAL -	WEIGHT -
FINISH -	CUSTOMER DRAWING

SCALE 1:1 SHEET 1 OF 1 REV A

X-ON Electronics

Largest Supplier of Electrical and Electronic Components

Click to view similar products for [RF Connectors](#) / [Coaxial Connectors](#) category:

Click to view products by [TE Connectivity](#) manufacturer:

Other Similar products are found below :

[89674-0827](#) [6059674-1](#) [630059-000](#) [6501-1071-002](#) [6769](#) [7002-1541-010](#) [7002-1572-002](#) [7004-1512-000](#) [7009-1511-004](#) [7101-1541-010](#)
[7101-1571-002](#) [7105-1521-002](#) [7203-1571-003](#) [7209-1511-011](#) [7210-1511-040](#) [7242-1511-000](#) [7405-1521-005](#) [7405-1521-802](#)
[804S01D04M040](#) [8527](#) [8547](#) [FS11V](#) [877931](#) [8808-1511-001](#) [9049-9513-000](#) [9074-9513-000](#) [PL11C-026](#) [PL40-36](#) [9408-1113-000](#) [980-](#)
[8666-005](#) [11 SMA-50-2-6 / 111 NE](#) [11 SMA-50-3-6 / 111 NE](#) [1-201144-1](#) [120919](#) [R107003010W](#) [R112186000](#) [R113053000W](#) [R113082097](#)
[R113236000](#) [R114083000](#) [R114670000W](#) [R123415000W](#) [R124076320](#) [R124076450](#) [R124175123](#) [R125075000W](#) [R125075001](#)
[R125172000W](#) [R125415030](#) [R141007161](#)