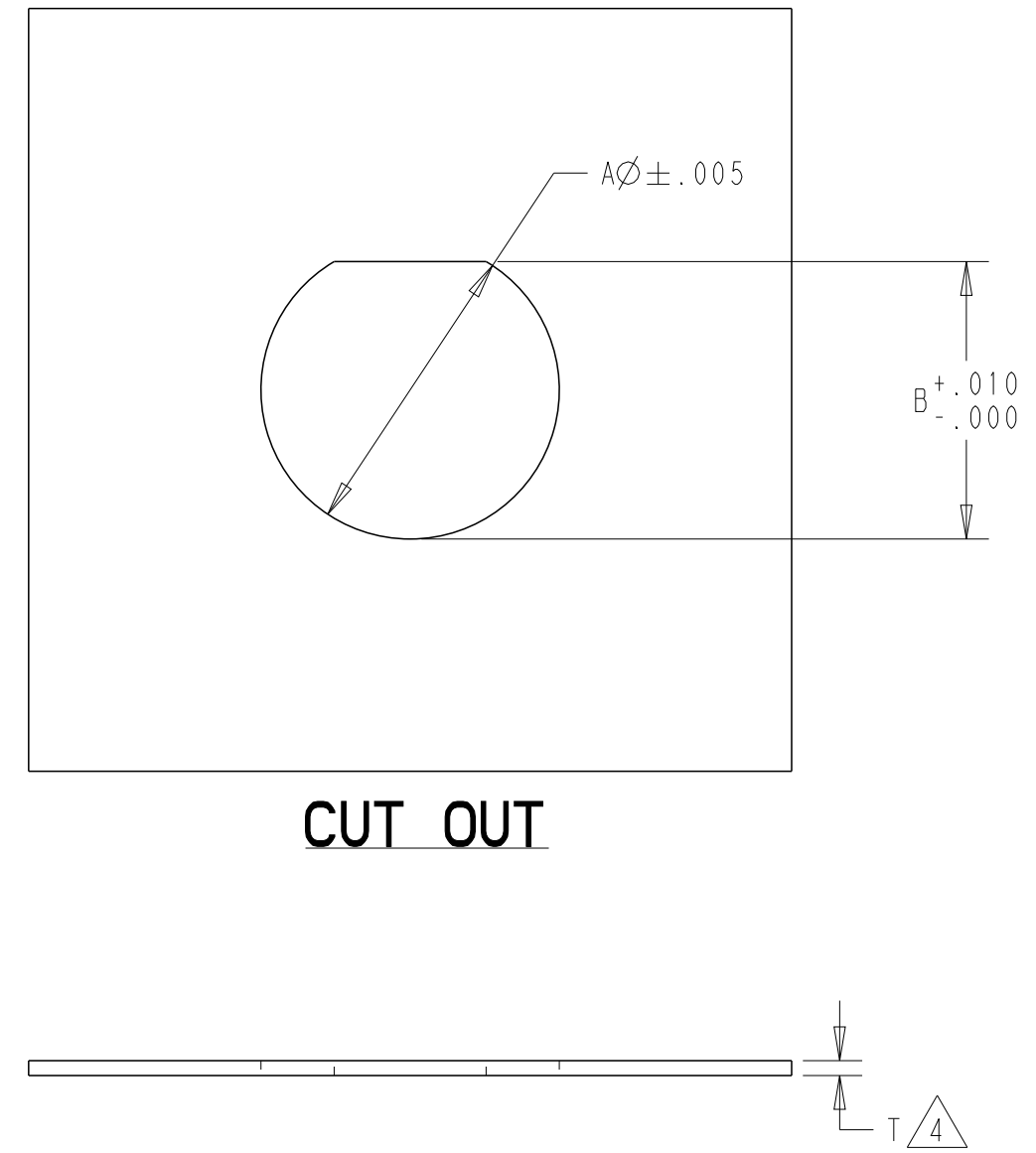
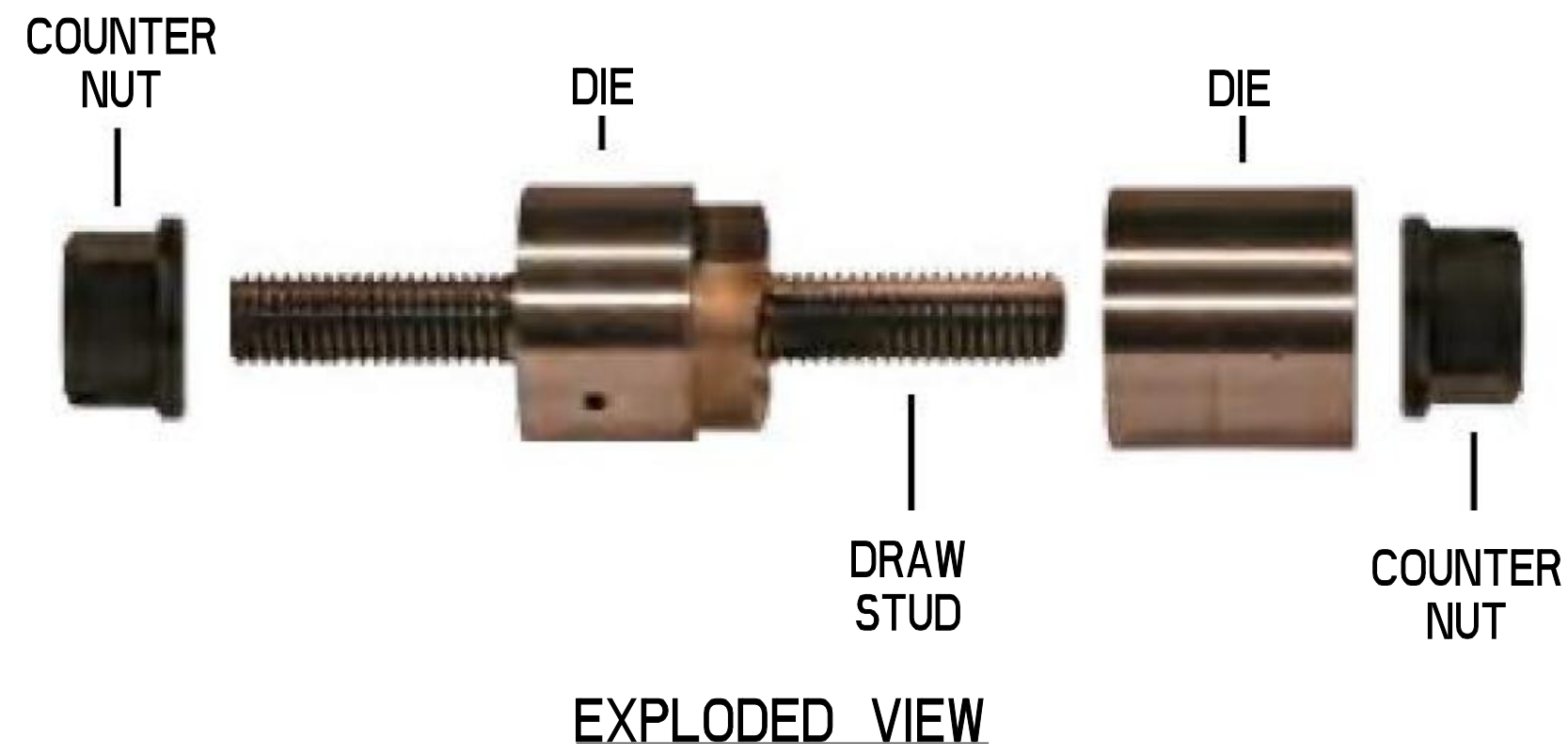


P	LTR	DESCRIPTION	DATE	DWN	APVD
	A	INITIAL RELEASE	1JUL2020	AP	IG



6. TOOL MATERIAL: A2 MATERIAL HEAT TREATED TO A ROCKWELL HARDNESS OF 60 TO 62
5. THE RODS INCLUDED WITH THE "D" PUNCH HOLE ARE USED TO REMOVE THE CUTOUT AND NOT USED IN THE CUTTING PROCESS.
4. PUNCHABLE MATERIAL: MILD STEEL OR ALUMINIUM: T = UP TO .078"
 PLASTIC, WOOD, PANELING OR OTHER SOFT MATERIAL: T = UP TO .1875"
3. THE TOOL CAN BE SHARPENED IF NEEDED.
2. TOOL SIZE (ROUGH DIMENSIONS): 5.5"L x 2"H x 2"D
1. USABILITY: A .625" MINIMUM PILOT HOLE IS REQUIRED TO ACCOMMODATE THE DRAW STUD.
 AIR TOOLS CAN BE USED.

NOTES:

RECOMMENDED SIZE OF MOUNTING HOLE			ORDERING INFORMATION	
SHELL SIZE	A ϕ	B	PART NUMBER	SHELL SIZE
18	1.507	1.442	18-D-PUNCH	18 SHELL
24	1.696	1.632	24-D-PUNCH	24 SHELL

THIS DRAWING IS A CONTROLLED DOCUMENT.		DWN A POLO 1JUL2020	TE Connectivity	
DIMENSIONS: INCHES		CHK I GRANICHAROVA 1JUL2020		
TOLERANCES UNLESS OTHERWISE SPECIFIED:		APVD I GRANICHAROVA 1JUL2020	NAME D-HOLE PUNCH SIZE 24 AND SIZE 18	
0 PLC \pm		PRODUCT SPEC	APPLICATION SPEC	
1 PLC \pm		WEIGHT 1274 G	SIZE A2	CAGE CODE 00779
2 PLC $\pm .025$		CUSTOMER DRAWING	DRAWING NO C-18-24-D-PUNCH	RESTRICTED TO -
3 PLC \pm		SCALE 1:1	SHEET 1 OF 1	REV A
4 PLC \pm				
ANGLES \pm				
FINISH				
MATERIAL 6				

X-ON Electronics

Largest Supplier of Electrical and Electronic Components

Click to view similar products for [Punches & Dies](#) category:

Click to view products by [TE Connectivity](#) manufacturer:

Other Similar products are found below :

[58510-1](#) [63454-1601](#) [63457-0056](#) [63457-3401](#) [730-5/8](#) [730BB-1-3/8](#) [PV-670508-001](#) [1328](#) [1338](#) [13782656](#) [13782673](#) [13782686](#) [AR-19](#)
[AR-24](#) [1528-TL](#) [1583609-1](#) [1720](#) [1762951-1](#) [2063500-2](#) [19031-0168](#) [AR-20](#) [AR-23](#) [313336-3](#) [11-19-3122](#) [539663-1](#) [63446-2241](#) [TL-18](#)
[0634451912](#) [1762674-1](#) [63454-0123](#) [68240-1](#) [68247-1](#) [734252](#) [313183-1](#) [PA2029](#) [119174-001](#) [23846-1](#) [11-40-5342](#) [68010-2](#) [690370015](#)
[730BB-1-1/8](#) [730BB-1-1/16](#) [19032-0048](#) [63465-0023](#) [11-40-4438](#) [63457-0041](#) [2906252-01](#) [19032-0202](#) [11-11-0054](#) [11-11-0052](#)