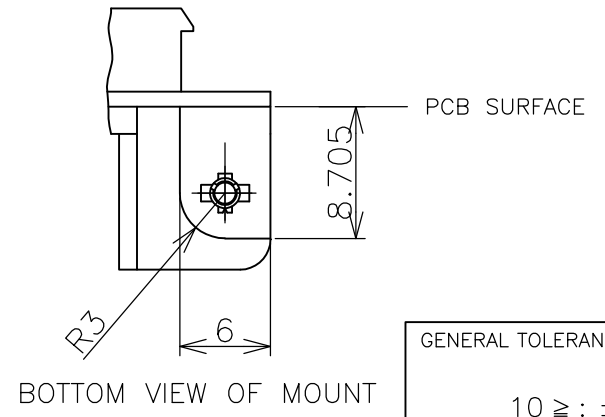
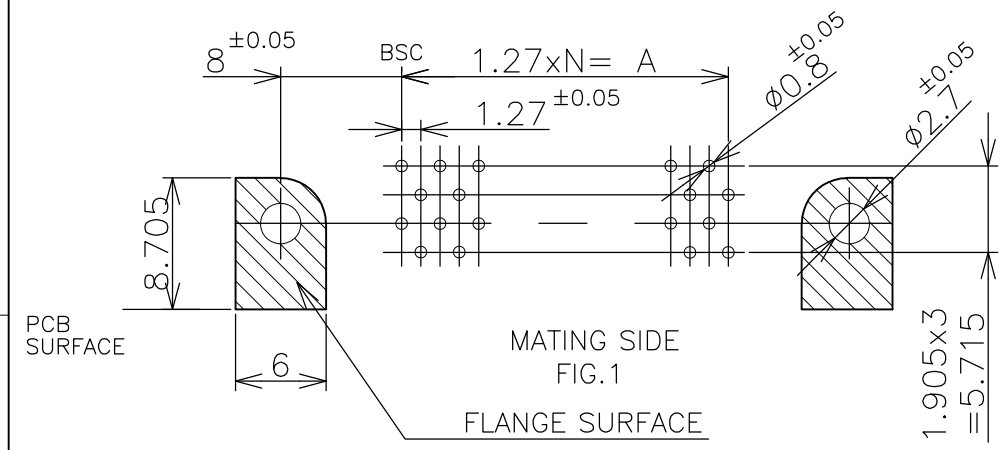
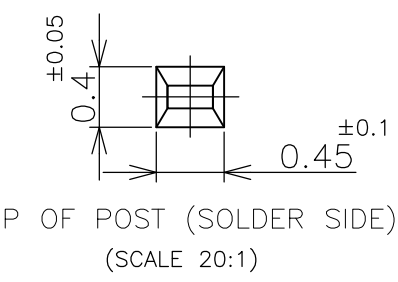
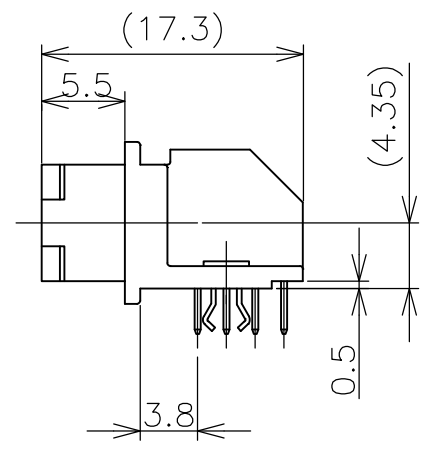
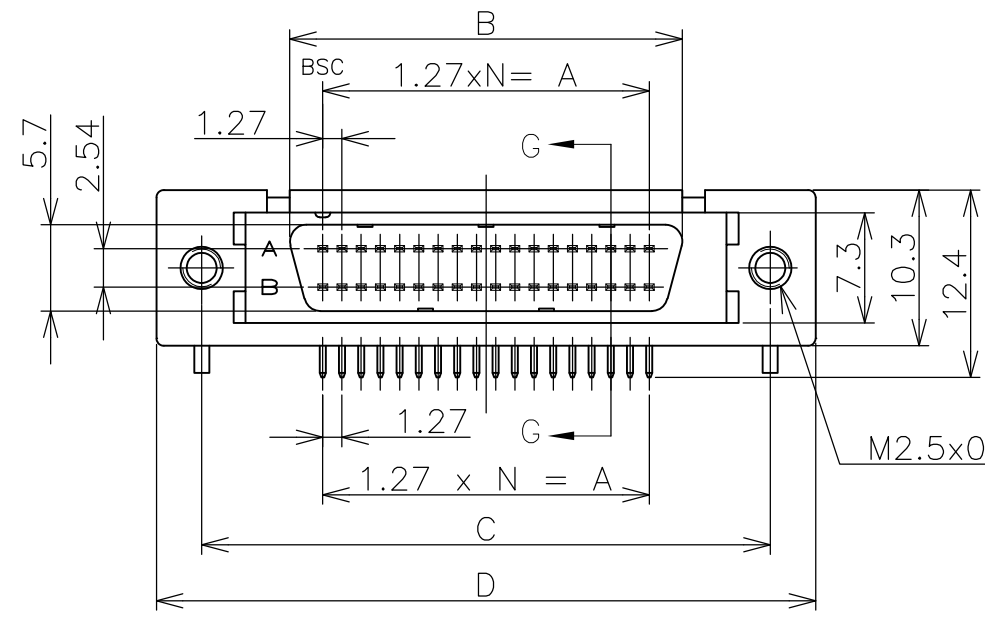
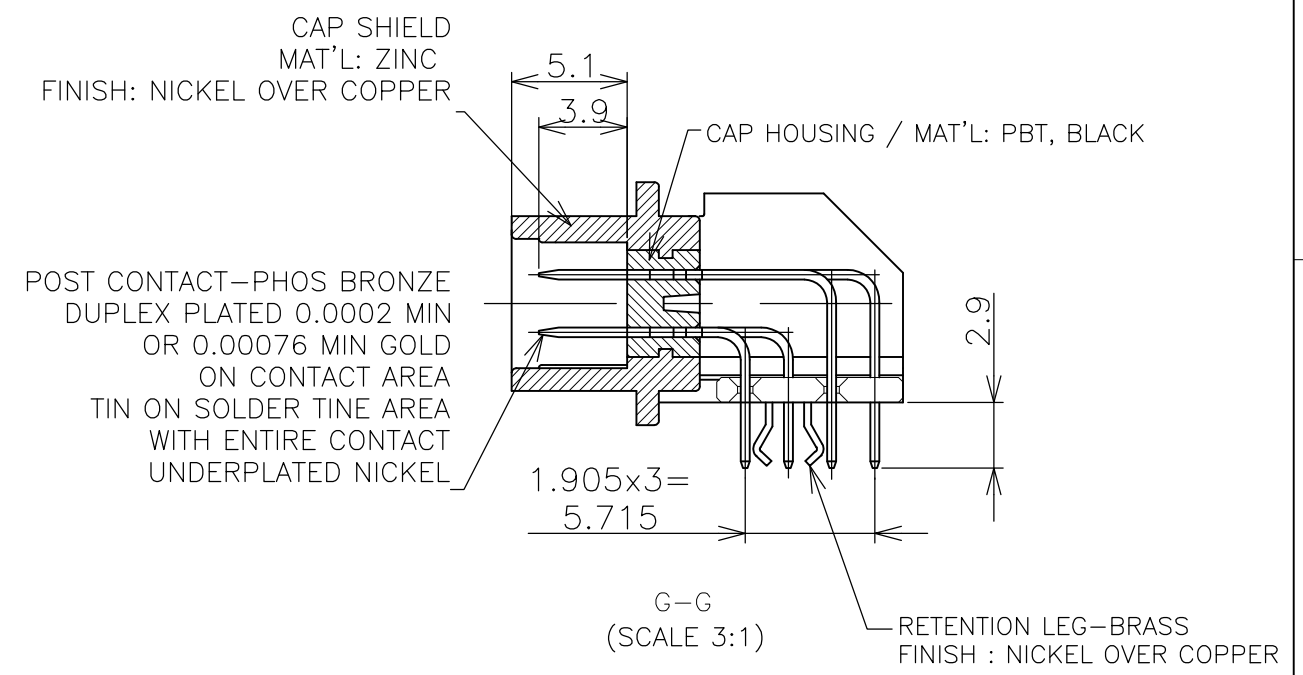
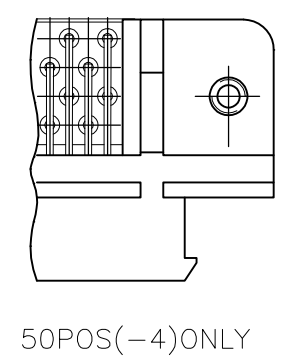
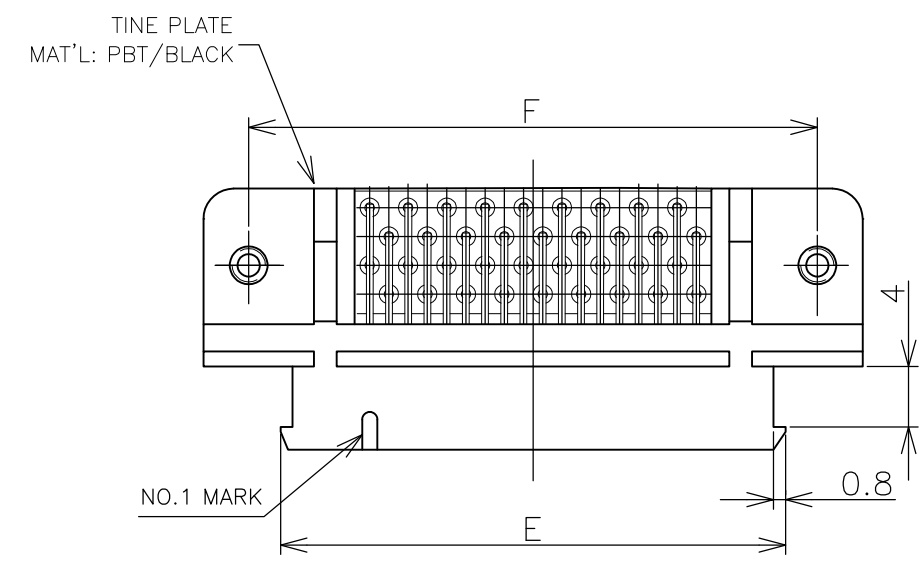


THIS DRAWING IS UNPUBLISHED. RELEASED FOR PUBLICATION APR , 1988.
 © COPYRIGHT 1988 BY TYCO ELECTRONICS CORPORATION. ALL RIGHTS RESERVED.

LOC	DIST	REVISIONS			
P	LTR	DESCRIPTION	DATE	DWN	APVD
J		A	REVISED ECR-05-006022	1JUL05	L.Z S.Y
		A1	REVISED PER ECO-09-024927	09NOV09	KK AEG



GENERAL TOLERANCE

10 ≥ : ±0.2
 30 ≥ > 10: ±0.25
 100 ≥ > 30: ±0.3
 ANGLES: ±3°

POS	N	A	B	C	D	E	F	GOLD THK	PART NO.
96	47	59.69	64.06	75.7	81.7	71.49	75.7	0.00076 MIN	4-2-6
68	33	41.91	46.28	57.9	63.9	53.71	57.9		2--5
50	24	30.48	34.85	46.5	52.5	42.28	46.5		4-2-4
28	13	16.51	20.88	32.5	38.5	28.31	32.5		4-2-2
20	9	11.43	15.8	27.4	33.4	23.23	27.4	0.0002 MIN	4-2-1
96	47	59.69	64.06	75.7	81.7	71.49	75.7		4--6
68	33	41.91	46.28	57.9	63.9	53.71	57.9		4--5
50	24	30.48	34.85	46.5	52.5	42.28	46.5		4--4
36	17	21.59	25.96	37.6	43.6	33.39	37.6	0.0002 MIN	4--3
28	13	16.51	20.88	32.5	38.5	28.31	32.5		4--2
20	9	11.43	15.8	27.4	33.4	23.23	27.4		4--1

- 1 P.C BOARD HOLE LAY-OUT AS SHOWN FIG.1
- 2 USED SCREW SIZE; M2.5 PANHEAD SCREW
- 3 CONNECTOR TO BE MATED;
X-5174340-X
- 4 OBSOLETE PARTS: OBSOLETE CIS STREAMLINING PER D.RENAUD/D.SINISI

THIS DRAWING IS A CONTROLLED DOCUMENT.

DWN Roy Hao 17Aug04
 CHK Steven Yao 17Aug04
 APVD I.Enomoto 17Aug04

Tyco Electronics Tyco Electronics AMP K.K. Kawasaki, Japan

NAME: POST HEADER (HORIZONTAL, WITH R/L) AMPLIMITE .050 SERIES II CONN. TYPE B

PRODUCT SPEC: 108-60037-1

APPLICATION SPEC

SIZE: A3 CAGE CODE: 00779 DRAWING NO: C-5174341 RESTRICTED TO

MATERIAL: SEE ABOVE FINISH: SEE ABOVE

WEIGHT

CUSTOMER DRAWING SCALE: 2:1 SHEET: 1 OF 1 REV: A1

X-ON Electronics

Largest Supplier of Electrical and Electronic Components

Click to view similar products for [D-Sub High Density Connectors](#) category:

Click to view products by [TE Connectivity](#) manufacturer:

Other Similar products are found below :

[1484349-1](#) [163A16769X](#) [163A16809X](#) [163A17089X](#) [164A17199X](#) [164A17209X](#) [164A17479X](#) [164A18209X](#) [17BH-044S-AA110](#) [K86X-AD-26S](#) [KF66X-A26P-NJ](#) [KF66X-E15P-N](#) [241A17320X](#) [242A18390X](#) [242A25740X](#) [L717HDB44POL2R210](#) [L717HDCH62POL2RM5](#) [L717HDEH15POL2](#) [L777HDE15P](#) [L77HDC62S](#) [L77HDE15SC309](#) [163A16779X](#) [163A16839X](#) [163A17049X](#) [163A17079X](#) [164A17309X](#) [164A17329X](#) [164A18219X](#) [241A16440X](#) [241A16550X](#) [241A16680X](#) [241A17390X](#) [241A20810X](#) [241A25740X](#) [CT25-44P](#) [K66X-E15S-N30](#) [K86X-BA-44S](#) [K86X-ED-15S-BR15](#) [K86X-ED-15SK](#) [L177HDE15SOL2RM23](#) [L177HRC62S](#) [L177HRC62SVFM](#) [L177HRCG62S](#) [L717HDBH44POL2RM5](#) [L717HDEG15POL2RM5](#) [L77HDA26SVF](#) [L77HDE15SD1CO](#) [L77HDEH15SOL2RM832](#) [DAMA-15S-WS](#)
[443895-3](#)