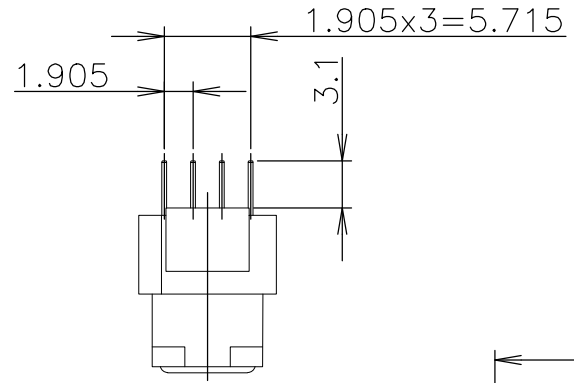
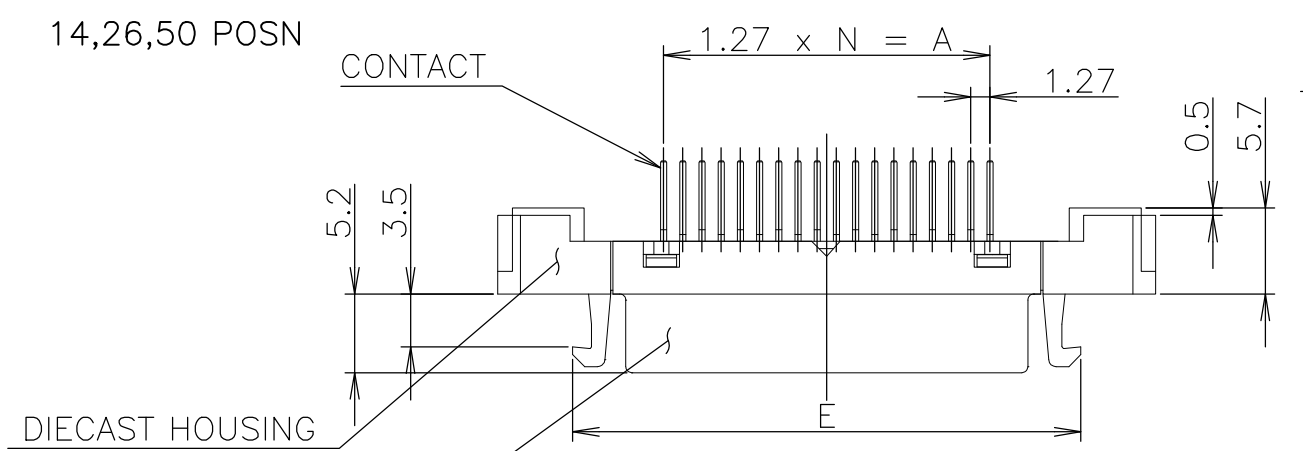
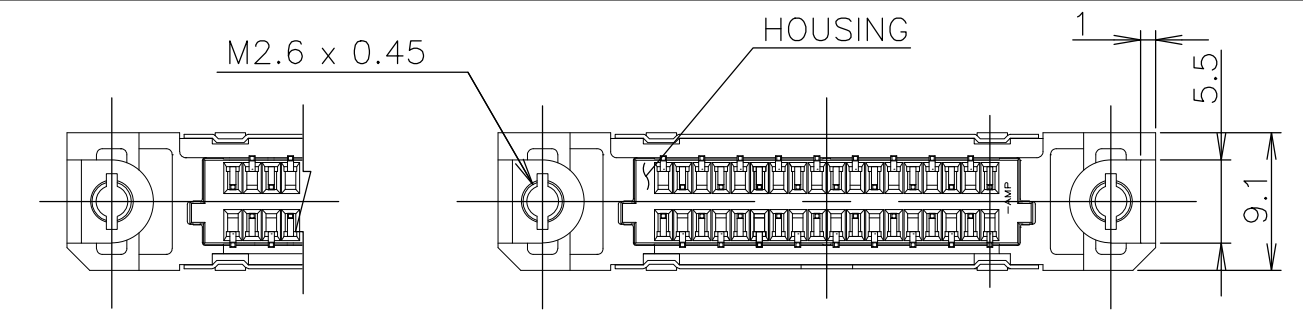


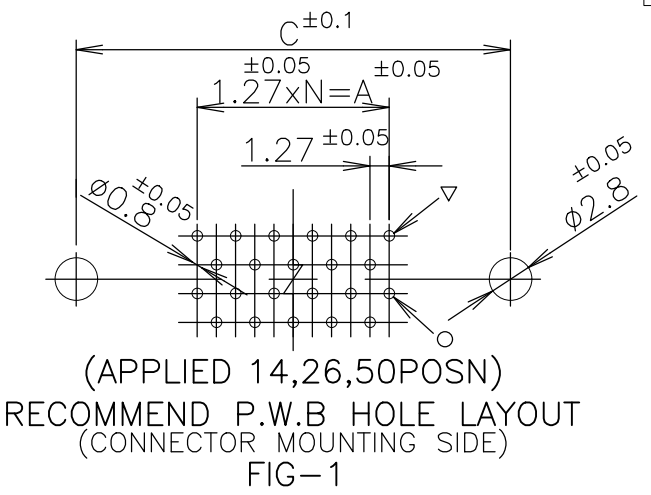
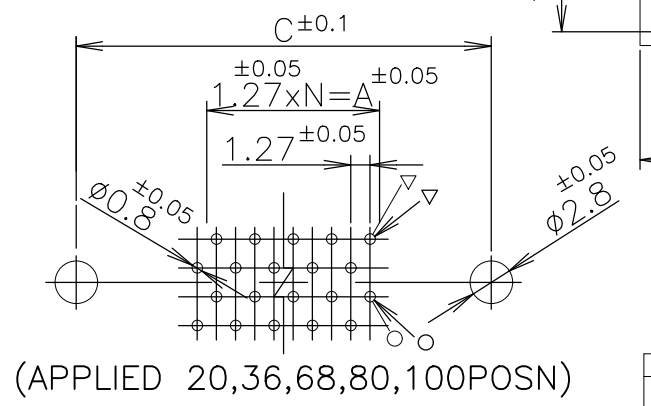
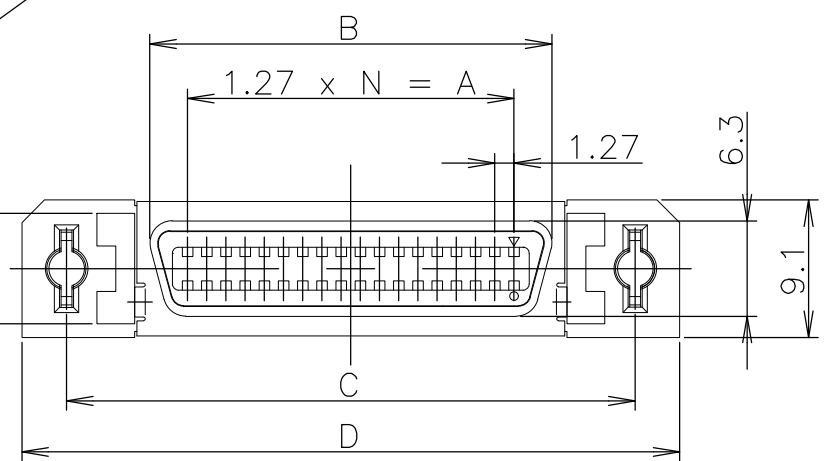
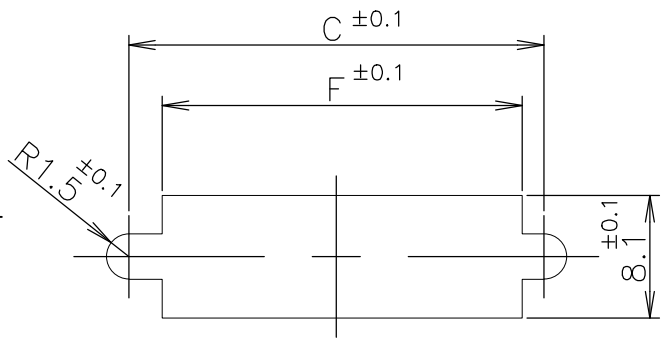
THIS DRAWING IS UNPUBLISHED. RELEASED FOR PUBLICATION .SEP 2004
 © COPYRIGHT 2004 By - ALL RIGHTS RESERVED.

REVISIONS					
P	LTR	DESCRIPTION	DATE	DWN	APVD
	R	REVISED PER ECO-17-008763	23JAN2018	RG	SH

- 1 USED SCREW SIZE; M2.6 PANHEAD SCREW.
- 2 CONNECTOR TO BE MATED; 175677,517571
- △ MATERIAL AND FINISH;
 - * CONTACT; PHOS-BRONZE
FINISH: Au PLATING OVER Ni UNDER PLATING ON CONTACT AREA.
TIN PLATING OVER Ni UNDER PLATING ON SOLDER TINE AREA.
 - * METAL SHELL: STEEL
FINISH: Ni PLATING OVER COPPER UNDER PLATING.
 - * DIECAST HOUSING; ZINC
FINISH: Ni PLATING OVER COPPER UNDER PLATING.
 - * HOUSING; THERMOPLASTIC, UL94V-0, BLACK
- 4 RECOMMEND P.W.B THICKNESS; 1.6mm



PANEL CUTOUT (THK; 2mm MAX.) FIG-2



LEAD FREE

POSN	39	49	33	24	17	12	9	6	39	49	33	24	17	12	9	6	POSN	PART NO.
0.00076	61.90	74.60	54.20	42.80	33.90	27.60	23.80	19.90	61.55	74.25	53.93	42.50	33.61	27.26	23.45	19.64	80	3-5175887-0
	71.45	84.15	63.83	52.40	43.51	37.16	33.35	29.54	65.55	78.25	63.83	52.40	43.51	37.16	27.45	23.64	100	2-5175887-9
	54.53	67.23	46.91	35.48	26.59	20.24	16.43	12.62	54.53	67.23	46.91	35.48	26.59	20.24	16.43	12.62	68	2-5175887-8
	49.53	62.23	41.91	30.48	21.59	15.24	11.43	7.62	49.53	62.23	41.91	30.48	21.59	15.24	11.43	7.62	50	2-5175887-7
	80	100	68	50	36	26	20	14	80	100	68	50	36	26	20	14	36	2-5175887-5
0.0003	61.90	74.60	54.20	42.80	33.90	27.60	23.80	19.90	61.55	74.25	53.93	42.50	33.61	27.26	23.45	19.64	80	1-5175887-0
	71.45	84.15	63.83	52.40	43.51	37.16	33.35	29.54	65.55	78.25	63.83	52.40	43.51	37.16	27.45	23.64	100	5175887-9
	54.53	67.23	46.91	35.48	26.59	20.24	16.43	12.62	54.53	67.23	46.91	35.48	26.59	20.24	16.43	12.62	68	5175887-8
	49.53	62.23	41.91	30.48	21.59	15.24	11.43	7.62	49.53	62.23	41.91	30.48	21.59	15.24	11.43	7.62	50	5175887-7
	80	100	68	50	36	26	20	14	80	100	68	50	36	26	20	14	36	5175887-5
	39	49	33	24	17	12	9	6	39	49	33	24	17	12	9	6	26	5175887-4
	61.90	74.60	54.20	42.80	33.90	27.60	23.80	19.90	61.55	74.25	53.93	42.50	33.61	27.26	23.45	19.64	20	5175887-2
	71.45	84.15	63.83	52.40	43.51	37.16	33.35	29.54	65.55	78.25	63.83	52.40	43.51	37.16	27.45	23.64	14	5175887-1
AU PLATING	N	F	E	D	C	B	A	POSN										

THIS DRAWING IS A CONTROLLED DOCUMENT.

DIMENSIONS: mm	TOLERANCES UNLESS OTHERWISE SPECIFIED: 0 PLC ± 0.2 1 PLC ± 0.2 2 PLC ± 0.2 3 PLC ± 0.2 4 PLC ± 0.2 ANGLES ± 3°	DWN COREL WANG 01SEP04 CHK STEVEN YAO 01SEP04 APVD I.ENOMOTO 01SEP04 PRODUCT SPEC 108-60043 APPLICATION SPEC	NAME REC HEADER ASSY, VERTICAL CHAMP .050 SERIES (II) STD-TYPE (M2.6)
MATERIAL SEE NOTE 3	FINISH SEE NOTE 3	WEIGHT 0.000000	SIZE A3 CAGE CODE 00779 DRAWING NO C-5175887 RESTRICTED TO
CUSTOMER DRAWING		SCALE 2:1	SHEET 1 OF 1 REV R

STE TE Connectivity Ltd.

X-ON Electronics

Largest Supplier of Electrical and Electronic Components

Click to view similar products for [Headers & Wire Housings](#) category:

Click to view products by [TE Connectivity](#) manufacturer:

Other Similar products are found below :

[892-18-020-10-001101](#) [58102-G61-06LF](#) [582553-1](#) [0009485154](#) [009176003701906](#) [0050291907](#) [LY20-4P-DT1-P1E-BR](#) [02.125.8002.8](#)
[609-3404](#) [61062-3](#) [61082-181009](#) [622-3653LF](#) [63453-116](#) [636-1030](#) [636-1427](#) [636-3427](#) [636-4007](#) [641938-9](#) [641991-4](#) [644827-2](#) [65817-010LF](#) [65817-015LF](#) [65863-015LF](#) [66207-023LF](#) [67095-007LF](#) [67601157](#) [68645-018](#) [68648-049](#) [70.362.1628.0](#) [70-4210](#) [70-4226B](#) [70-4853B](#) [707-5020](#) [707-5028](#) [71.350.2428.0](#) [71918-208LF](#) [71961-016LF](#) [733-134](#) [733-162](#) [754199-000](#) [760-3052](#) [787-8014-00](#) [79531-3000](#)
[FCN-360C032-B](#) [FCN-367T-T012/H](#) [FCN-723D010/2](#) [80.063.4001.1](#) [800-90-001-10-001000](#) [800-90-010-10-002000](#) [801-43-002-10-013000](#)