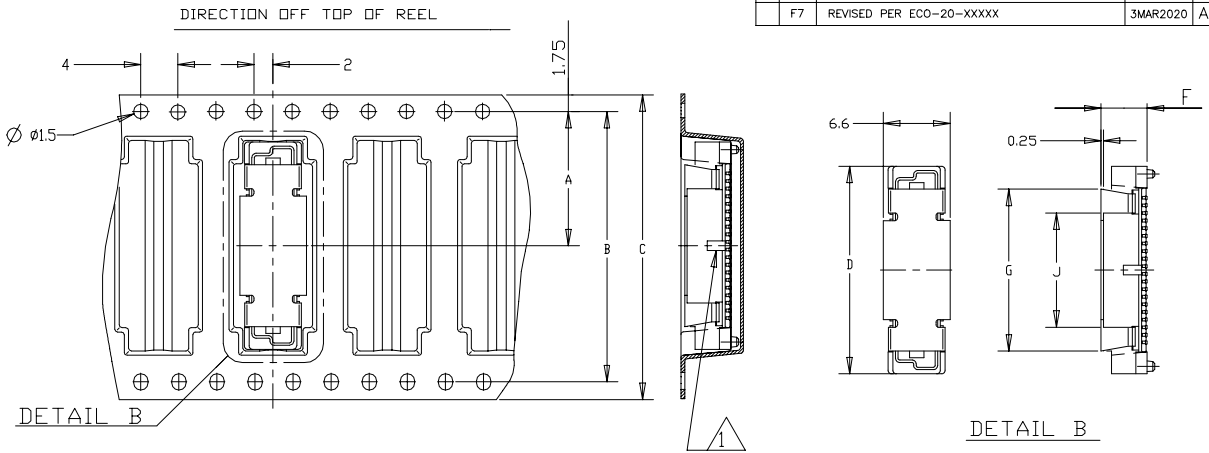


Notes:

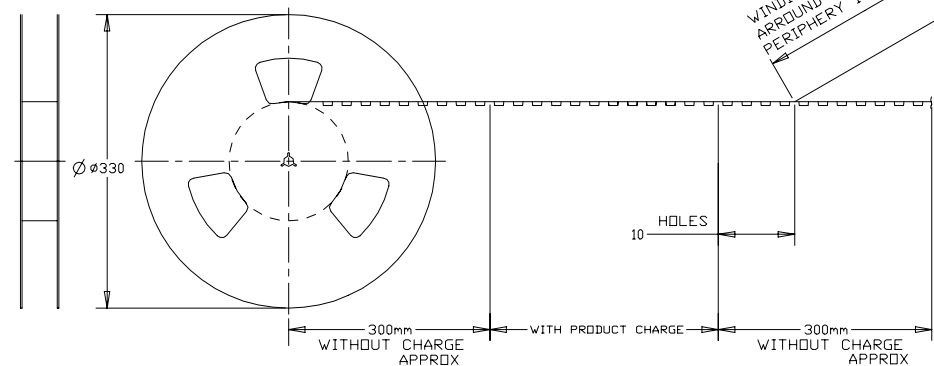
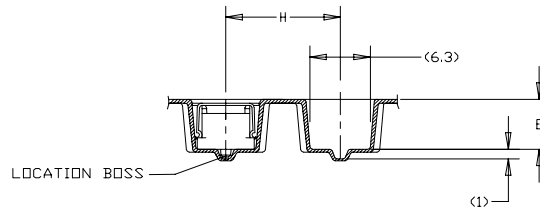
- 1 CUTOUT FEATURE AVAILABLE ONLY ON 5H ASSY P/N -1 (40P) AND -2 (60P).
- 2 0.00038 MIN GOLD PLATING (15u INCHES GOLD PLATING)
- 3 CONNECTOR DIMENSIONS REFERENCED FROM DRAWING WHICH CONN. P/Ns BASED
- 4 CONNECTOR WITH BLACK HOUSING
- 5 MATERIAL: HOUSING: L.C.P. UL 94-V0. COLOR: NATURAL EXCEPT FOR NOTE 4 CONTACT: BRASS

LOW HALOGEN

REVISIONS					
P	LTR	DESCRIPTION	DATE	DWN	APVD
F7		REVISED PER ECO-20-XXXX	3MAR2020	A.L	H.L



REMARKS	QTY	WEIGHT	Y	X	J	H	G	F	E	D	C	B	A	POS	SALEABLE PART NO.
			1.2	4.6	12	12	17	4.85	5.25	21.8	32	28.4	14.2	40	5177986-1
			2.6	5.6	12	16	17	5.85	6.25	69.8	88	84.4	42.2	160	9-5177986-8
			2.6	5.6	12	16	17	5.85	6.25	53.8	72	68.4	34.2	120	9-5177986-5
			1.2	4.6	12	12	17	4.85	5.25	37.8	56	52.4	26.2	80	8-5177986-3
			3.6	6.6	12	16	17	6.85	7.25	53.8	72	68.4	34.2	120	4-5177986-5
										85.8				200	4-0
										77.8	104	100.4	50.2	180	3-9
										69.8				160	3-8
										61.8	88	84.4	42.2	140	3-6
										53.8				120	3-5
										45.8	72	68.4	34.2	100	3-4
										37.8	56	52.4	26.2	80	3-3
										29.8	44	40.4	20.2	60	3-2
			4.6	7.6	12	12	17	7.85	8.25	21.8	32	28.4	14.2	40	3-5177986-1
										85.8				200	3-0
										77.8	104	100.4	50.2	180	2-9
										69.8				160	2-8
										61.8	88	84.4	42.2	140	2-6
										53.8				120	2-5
										45.8	72	68.4	34.2	100	2-4
										37.8	56	52.4	26.2	80	2-3
										29.8	44	40.4	20.2	60	2-2
			2.6	5.6	12	12	17	5.85	6.25	21.8	32	28.4	14.2	40	2-5177986-1
										85.8				200	1-5177986-0
										77.8	104	100.4	50.2	180	1-6
										69.8				160	1-5
										61.8	88	84.4	42.2	140	1-4
										53.8				120	1-3
										45.8	72	68.4	34.2	100	1-2
										37.8	56	52.4	26.2	80	1-1
			2.6	5.6	12	12	17	5.85	6.25	21.8	32	28.4	14.2	40	1-5177986-1
										85.8				200	1-5177986-0
										77.8	104	100.4	50.2	180	1-6
										69.8				160	1-5
										61.8	88	84.4	42.2	140	1-4
										53.8				120	1-3
										45.8	72	68.4	34.2	100	1-2
										37.8	56	52.4	26.2	80	1-1
			2.6	5.6	12	12	17	5.85	6.25	21.8	32	28.4	14.2	40	1-5177986-1
										85.8				200	1-5177986-0
										77.8	104	100.4	50.2	180	1-6
										69.8				160	1-5
										61.8	88	84.4	42.2	140	1-4
										53.8				120	1-3
										45.8	72	68.4	34.2	100	1-2
										37.8	56	52.4	26.2	80	1-1
			1.2	4.6	12	12	17	4.85	5.25	21.8	32	28.4	14.2	40	5177986-1



STEEL COVER

WINDING THE COVER TAPE AROUND THE OUTER PERIPHERY IN A TURN.

THIS DRAWING IS A CONTROLLED DOCUMENT.		DWG: FLORENCE TAN CHK: ERIC TING	30AUG2004 30MAY2012	TE Connectivity Ltd.	
DIMENSIONS: mm	TOLERANCES UNLESS OTHERWISE SPECIFIED:	APVD: SF LEONG	30MAY2012	NAME: PLUG ASSEMBLY, FH 0.8 ON TAPING (EMBOSS) 0.5 BOSS LENGTH	
0 PLC ±	1 PLC ± 0.2	PRODUCT SPEC: 108-5390		SIZE: A2	
2 PLC ± 0.15	3 PLC ± 0.1	APPLICATION SPEC:		CAGE CODE: 00779	
4 PLC ±	ANGLES ± 3'			DRAWING NO: 5177986	
MATERIAL: SEE NOTE	FINISH: SEE NOTE	WEIGHT: -		RESTRICTED TO: -	
		CUSTOMER DRAWING	SCALE: 1:1	SHEET: 1 of 4	REV: F7

4

3

2

1

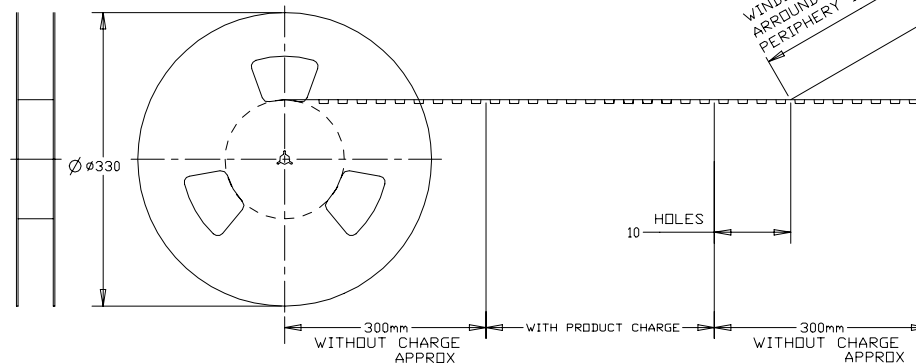
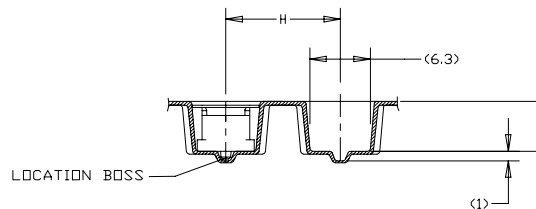
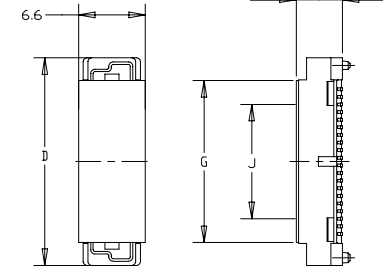
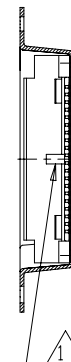
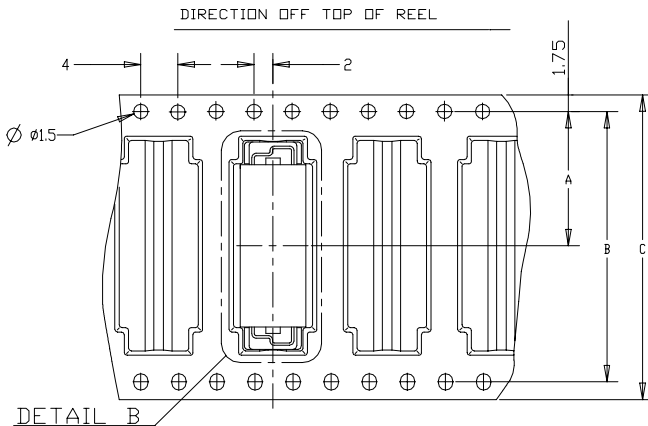
© - TE Connectivity. All Rights Reserved.

LOW HALOGEN

Notes:

6 0.0002 MIN GOLD PLATING
(7.8u INCHES GOLD PLATING)

REVISIONS					
P	LTR	DESCRIPTION	DATE	DWN	APVD
-	-	SEE SHEET 1	-	-	-



WINDING THE COVER TAPE
AROUND THE OUTER
PERIPHERY IN A TURN.

POLYIMIDE COVER

800	6H	2.6	5.6	12	12	17	5.85	6.25	37.8	56	52.4	26.2	80	9-5177986-3	
650	5H	1.2	4.6	12	16	17	4.85	5.25	61.8	88	84.4	42.2	140	9-5177986-6	
REMARKS	QTY	WEIGHT TYPE	Y	X	J	H	G	F	E	D	C	B	A	POS	SALEABLE PART NO.

1471-9 (1/15)

THIS DRAWING IS A CONTROLLED DOCUMENT.		DWN: FLORENCE TAN CHK: ERIC TING	30AUG2004 30MAY2012	TE Connectivity Ltd.	
DIMENSIONS: mm		APVD: SF LEONG 30MAY2012		NAME: PLUG ASSEMBLY, FH 0.8 ON TAPING (EMBOSS) 0.5 BOSS LENGTH	
TOLERANCES UNLESS OTHERWISE SPECIFIED: 0 PLC ± - 1 PLC ± 0.2 2 PLC ± 0.15 3 PLC ± 0.1 4 PLC ± -		PRODUCT SPEC: 108-5390		SIZE: A2	
MATERIAL: SEE NOTE		FINISH: SEE NOTE		CAGE CODE: 00779	
		CUSTOMER DRAWING		DRAWING NO: C=5177986	
				RESTRICTED TO: -	
				SCALE: 1:1	
				SHEET: 2 of 4	
				REV: F7	

5177986

4

3

2

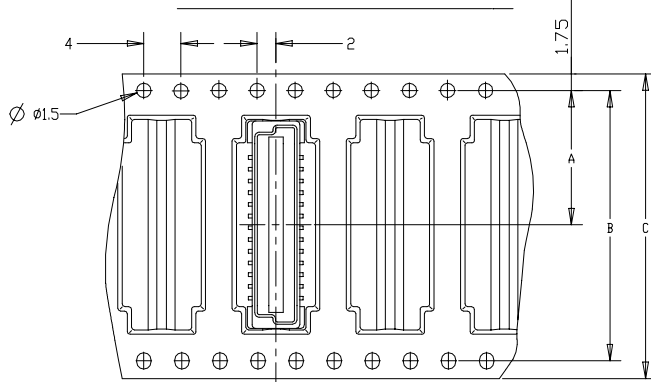
1

© - TE Connectivity. All Rights Reserved.

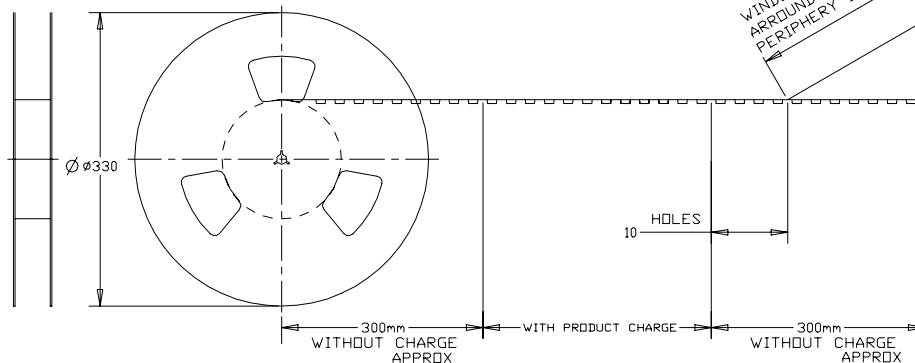
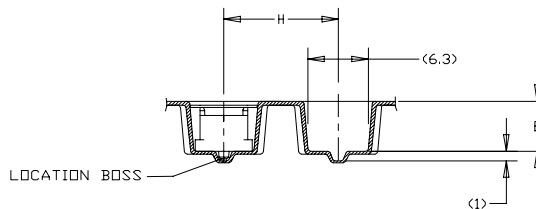
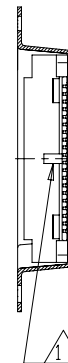
LOW HALOGEN

Notes:
△ 0.00038 MIN GOLD PLATING
(15μ INCHES GOLD PLATING)

DIRECTION OFF TOP OF REEL



REVISIONS					
P	LTR	DESCRIPTION	DATE	DWN	APVD
-	-	SEE SHEET 1	-	-	-



WINDING THE COVER TAPE AROUND THE OUTER PERIPHERY IN A TURN.

WITHOUT COVER

△	650	5H	1.2	4.6	16	5.25	88	84.4	42.2	160	8-5177986-8
	650	5H	1.2	4.6	16	5.25	72	68.4	34.2	120	8-5177986-5
REMARKS	QTY	WEIGHT TYPE	Y	X	H	E	C	B	A	POS	SALEABLE PART NO.

1471-9 (1/15)

THIS DRAWING IS A CONTROLLED DOCUMENT.		DWN: FLORENCE TAN CHK: ERIC TING	30AUG2004 30MAY2012	TE Connectivity Ltd.	
DIMENSIONS: mm		TOLERANCES UNLESS OTHERWISE SPECIFIED:		APVD: SF LEONG PRODUCT SPEC: 108-5390 APPLICATION SPEC: -	
		0 PLC ± - 1 PLC ± 0.2 2 PLC ± 0.15 3 PLC ± 0.1 4 PLC ± - ANGLES ± 3° FINISH: SEE NOTE		NAME: PLUG ASSEMBLY, FH 0.8 ON TAPING (EMBOSS) 0.5 BOSS LENGTH SIZE: A2 CAGE CODE: 00779 DRAWING NO: C=5177986 RESTRICTED TO: -	
MATERIAL: SEE NOTE		WEIGHT: -		CUSTOMER DRAWING	
		SCALE: 1:1		SHEET 3 of 4 REV F7	

5177986

4

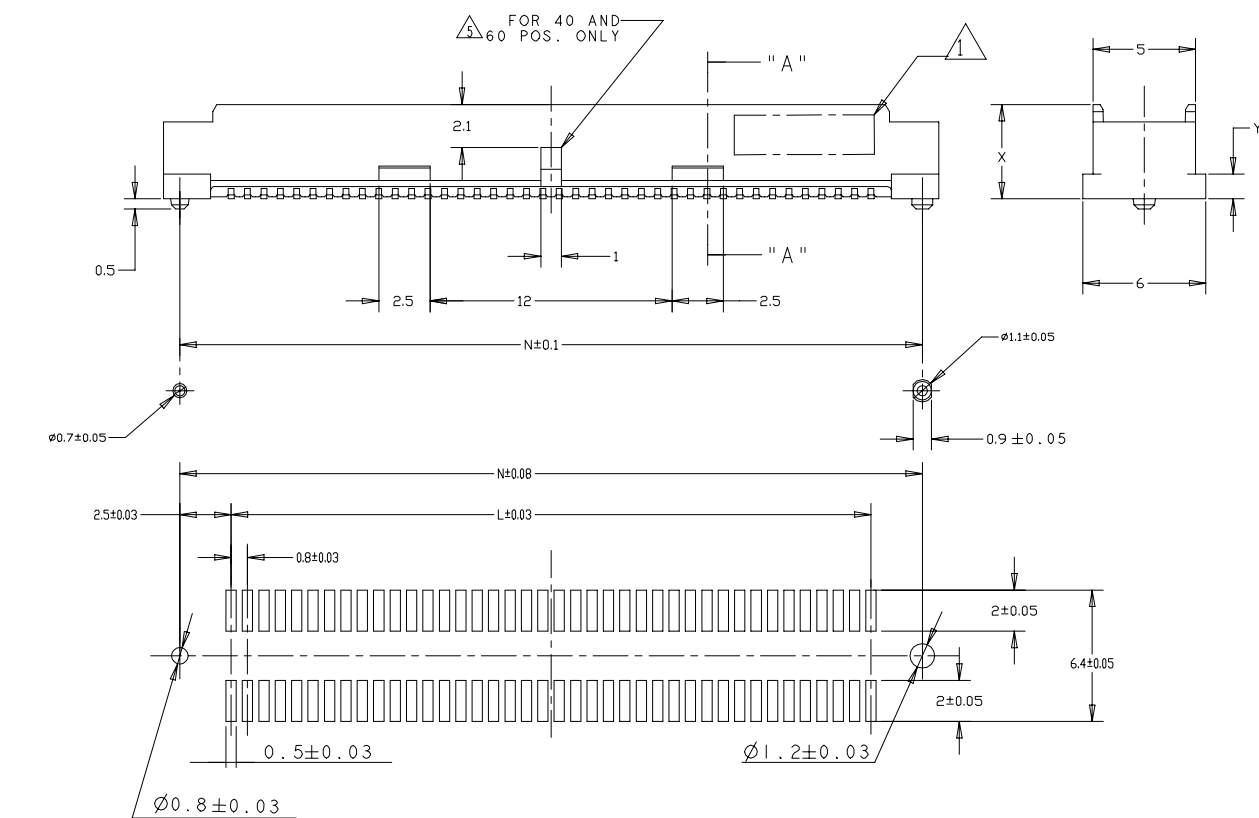
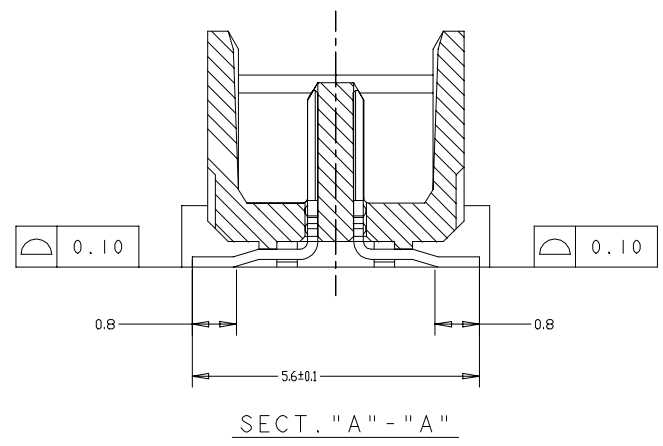
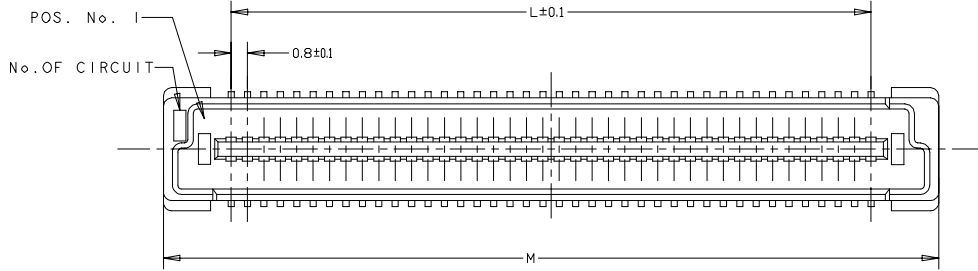
3

2

1

© - TE Connectivity. All Rights Reserved.

REVISIONS					
P	LTR	DESCRIPTION	DATE	DWN	APVD
-	-	SEE SHEET 1	-	-	-



RECOMMENDED P.C. BOARD LAYOUT

LOW HALOGEN

CONNECTOR ONLY

84.2	85.8	79.2	200
76.2	77.8	71.2	180
68.2	69.8	63.2	160
60.2	61.8	55.2	140
52.2	53.8	47.2	120
44.2	45.8	39.2	100
36.2	37.8	31.2	80
28.2	29.8	23.2	60
20.2	21.8	15.2	40
N	M	L	POS.

THIS DRAWING IS A CONTROLLED DOCUMENT.

DWN: FLORENCE TAN 30AUG2004
 CHK: ERIC TING 30MAY2012

APVD: SF LEONG 30MAY2012

NAME: PLUG ASSEMBLY, FH 0.8 ON TAPING (EMBOSS) 0.5 BOSS LENGTH

PRODUCT SPEC: 108-5390

APPLICATION SPEC: -

SIZE: A2 CAGE CODE: 00779 DRAWING NO: 5177986 RESTRICTED TO: -

WEIGHT: -

MATERIAL: SEE NOTE FINISH: SEE NOTE

CUSTOMER DRAWING

SCALE: 1:1 SHEET: 4 of 4 REV: F7

X-ON Electronics

Largest Supplier of Electrical and Electronic Components

Click to view similar products for [Board to Board & Mezzanine Connectors](#) category:

Click to view products by [TE Connectivity](#) manufacturer:

Other Similar products are found below :

[589158040000018](#) [MDF7C-18P-2.54DSA\(55\)](#) [FCN-230C068-11](#) [FCN-268F012-G/BD](#) [FCN-268F036-G/BD](#) [FCN-268M012-G/0D](#) [FCN-268M024-G/1D](#) [FCN-723J004/1](#) [MIS-048-01-F-D-DP-K](#) [832-10-034-10-001000](#) [FX4C-80S-1.27DSA](#) [FCN-214Q030-G/0](#) [FCN-234P048-G/0](#) [FCN-235D050-G/C](#) [210-93-314-41-105000](#) [2-22603-0](#) [MDF7-40DP-2.54DSA\(55\)](#) [AXG720047](#) [5031084030](#) [MIT-114-03-F-D-K](#) [55323-1519](#) [DF33-2P-3.3DSA\(24\)](#) [YFT-20-05-H-03-SB-K](#) [503308-3040](#) [026-6203-PDB](#) [027-6203-PDB](#) [069159702701000](#) [10123981-102LF](#) [101A10019X](#) [55650-0588-C](#) [68682-310LF](#) [68684-306](#) [75140-7012](#) [87471-650](#) [YTW-30-07-H-Q-410-140](#) [194261-1](#) [FCN-268F024-G0D](#) [10124054-515LF](#) [68685-603](#) [8-1616154-3](#) [MIS-019-01-F-D](#) [FCN-268M024-G/3D](#) [20021832-06016C1LF](#) [KX15-20KLDL-E1000E](#) [MDF7-16DP-2.54DSA\(55\)](#) [AXE810124](#) [FCN-214J100-G/0](#) [FCN-230C068-E/S](#) [AXE812124](#) [AXE816124](#)