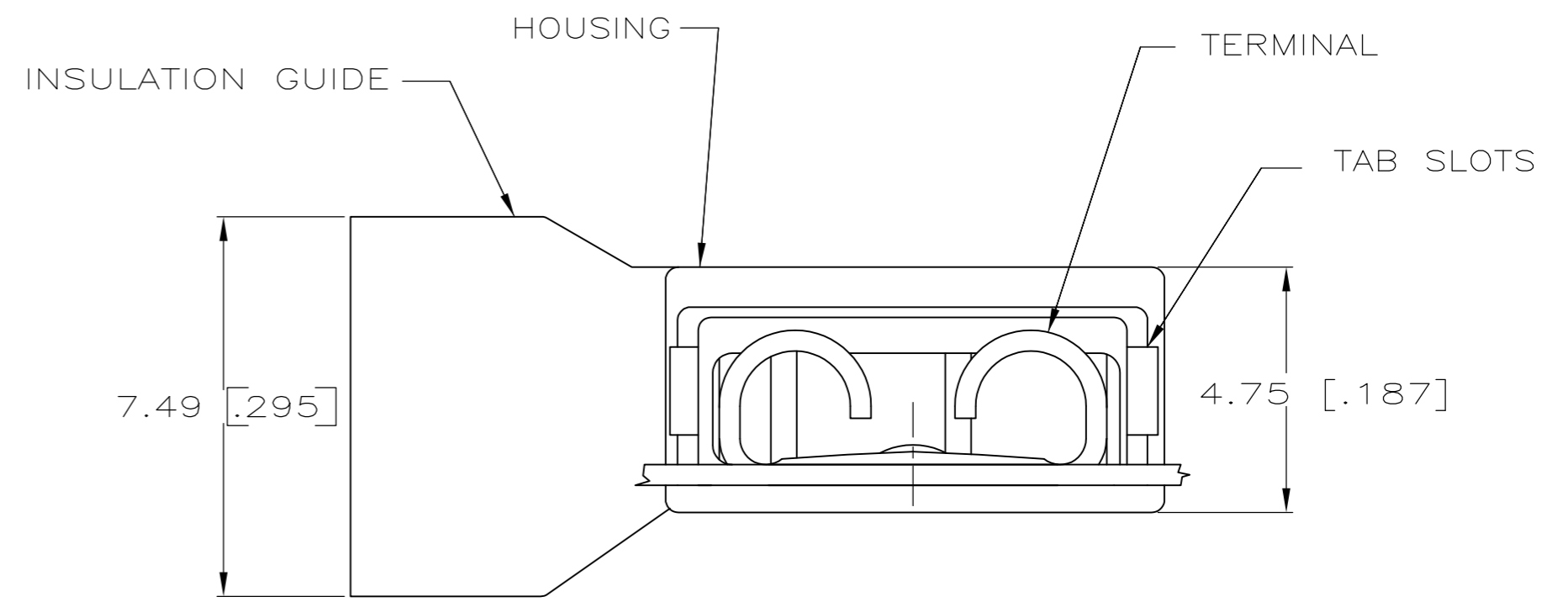
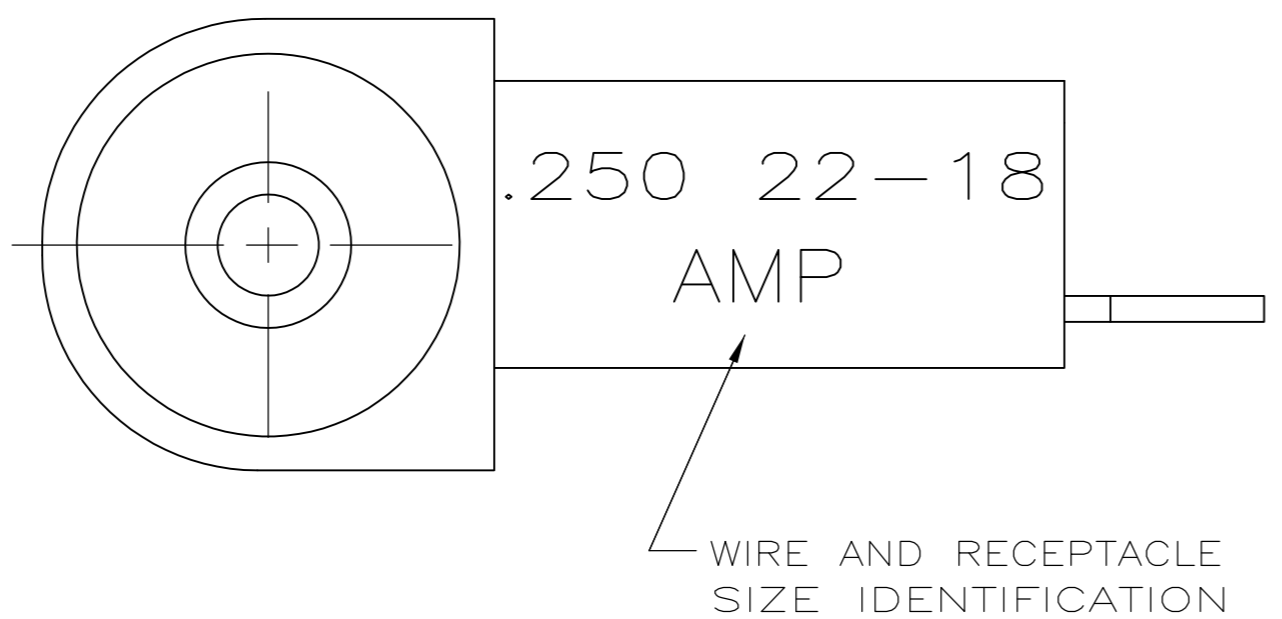
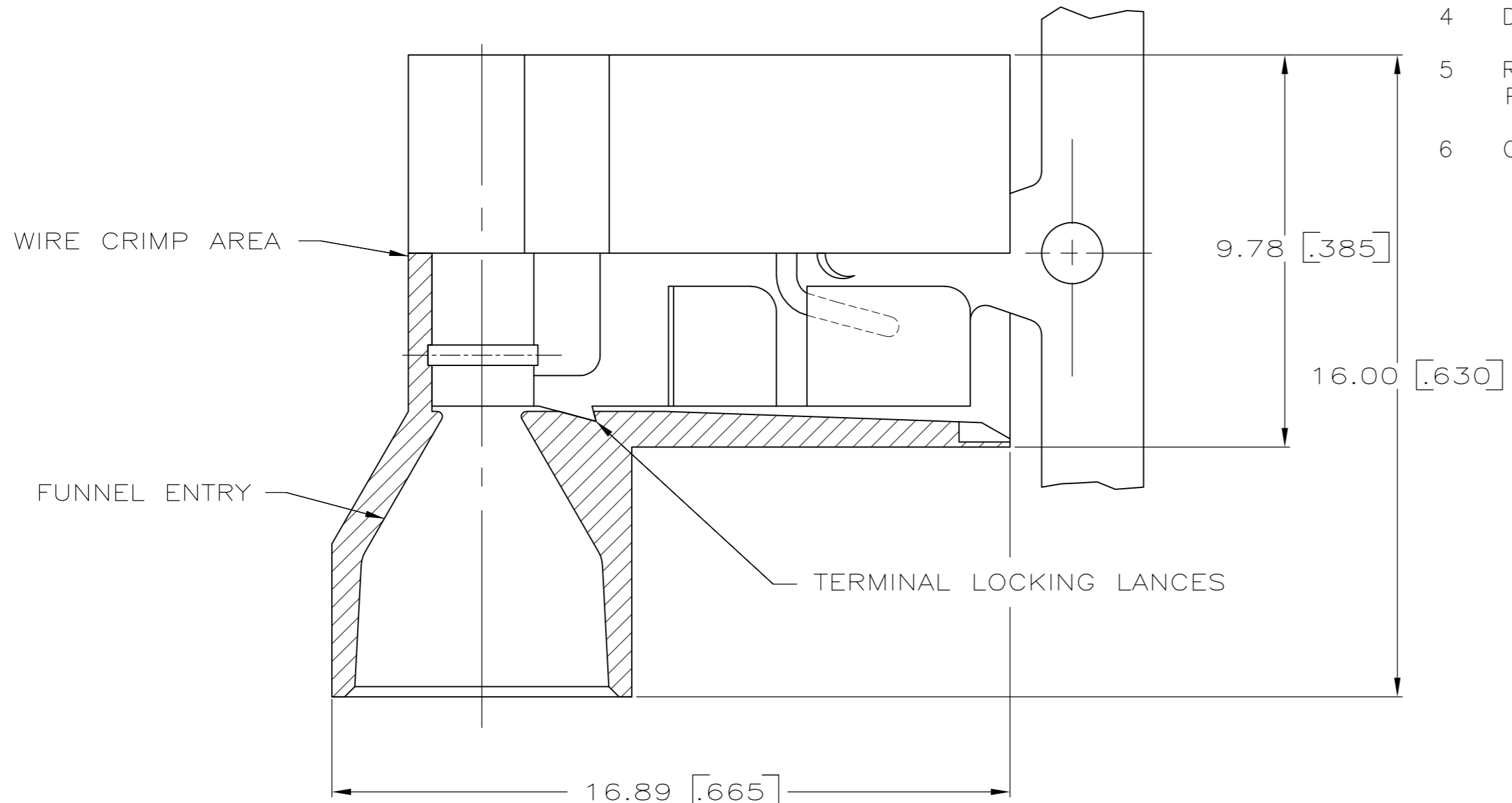


THIS DRAWING IS UNPUBLISHED. RELEASED FOR PUBLICATION  
 © COPYRIGHT - By - ALL RIGHTS RESERVED.

LOC		DIST		REVISIONS			
P	LTR	DESCRIPTION		DATE	DWN	APVD	
AF	50	G		REVISED PER ECR-13-004343	30JUL13	KH	KR

- 1 FITS 0.81±0.025 X 6.35 [.032±.001 X .250] TAB
- 2 WIRE SIZE: 0.3 – 0.9mm<sup>2</sup> [22–18 AWG] (STRANDED ONLY)  
STRIP LENGTH: ONE WIRE 7.94 [.312]  
TWO WIRES 8.51 [.335]
- 3 INSULATION SIZE: 5.84 [.230] MAX DIA.
- 4 DIMENSIONS IN BRACKETS ARE IN INCHES OR AWG.
- 5 REFER TO PRODUCT SPEC 108-2043 FOR PERFORMANCE DATA.
- 6 CONTINUOUS STRIP



RED TRANSLUCENT FINISH	6/6 NYLON MATERIAL	TIN FINISH	BRASS MATERIAL	2-520856-2 PART NO
THIS DRAWING IS A CONTROLLED DOCUMENT.		DWN JR RUTH 8/25/86	TE Connectivity	
DIMENSIONS: mm [INCHES]	TOLERANCES UNLESS OTHERWISE SPECIFIED:	CHK G YETTER 8/25/86	NAME	
	0 PLC ± -	APVD K RANDOLPH 9/2/86	PRODUCT SPEC	
	1 PLC ± -	108-2043	APPLICATION SPEC	
	2 PLC ± -	114-2123	SIZE	CAGE CODE
	3 PLC ± 0.38 [.015]	WEIGHT	A2	00779
MATERIAL SEE ABOVE	FINISH SEE ABOVE	4 PLC ± -	DRAWING NO	RESTRICTED TO
		ANGLES ± -	C=520856	1 of 1
		FINISH	SCALE	REV
			NTS	G

## X-ON Electronics

Largest Supplier of Electrical and Electronic Components

*Click to view similar products for [Terminals](#) category:*

*Click to view products by [TE Connectivity](#) manufacturer:*

Other Similar products are found below :

[00-054007-01074-6](#) [00-054007-70206-1](#) [00-054007-70210-8](#) [00-054007-70217-7](#) [00-054007-70226-9](#) [00-054007-70228-3](#) [00-054007-70248-1](#) [00-054007-70256-6](#) [00-054007-70301-3](#) [00-054007-70316-7](#) [0-0320562-0](#) [00-054007-49560-4](#) [00-054007-70209-2](#) [00-054007-70225-2](#) [00-054007-70227-6](#) [00-054007-70231-3](#) [00-054007-70241-2](#) [00-054007-70242-9](#) [00-054007-70244-3](#) [00-054007-70246-7](#) [00-054007-70263-4](#) [00-054007-70288-7](#) [00-054007-70290-0](#) [00-054007-70300-6](#) [00-054007-70304-4](#) [01-2065-1-0216](#) [01-2900-1-04412](#) [00581P0075](#) [600TS-10](#) [60205-1](#) [604200-1](#) [605601-1](#) [60598-1-CUT-TAPE](#) [61314-6-C](#) [61810-3](#) [61-S](#) [61-SN](#) [626-0194](#) [62-NBM-A](#) [62-SN](#) [62-SP](#) [63-S](#) [640179-1](#) [M55155/059I03](#) [M55155/079C01](#) [M55155/099H02](#) [M55155/109H01](#) [M55155/109H02](#) [M55155/12XH05](#) [M55155/16XH02](#)