

4

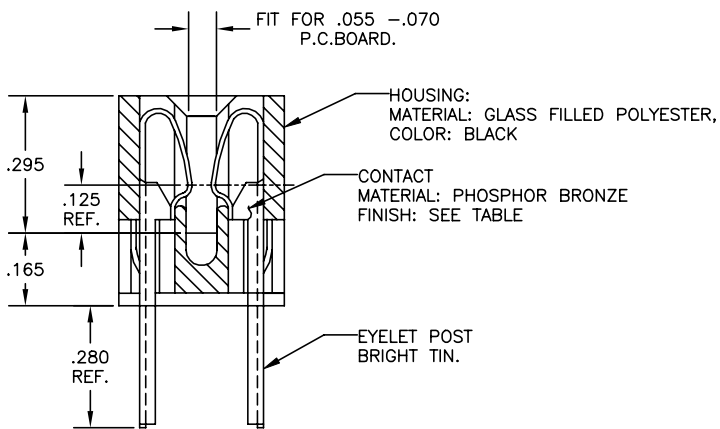
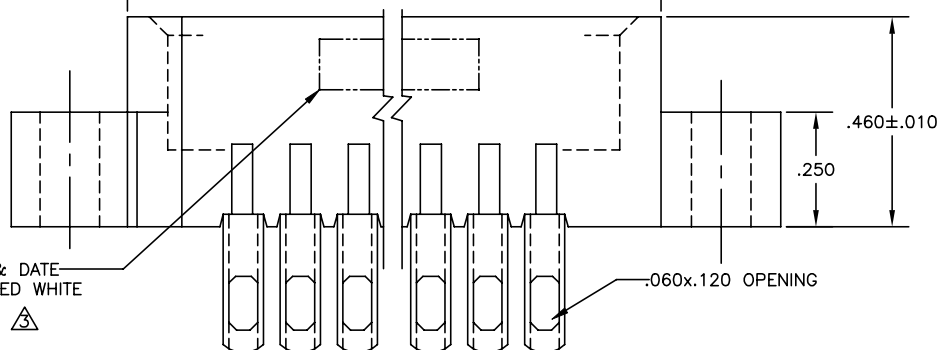
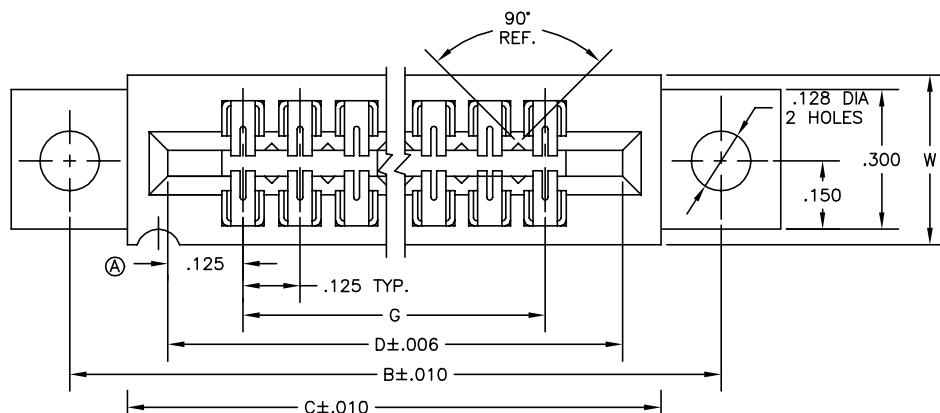
3

2

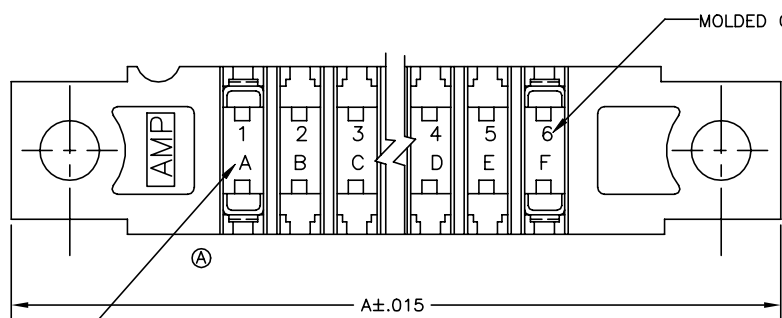
1

© - TE Connectivity. All Rights Reserved.

REVISIONS				
P	LTR	DESCRIPTION	DATE	DRN APVD
M2		REVISED PER ECO-20-000170	21MAY2020	KR JO



"AMP" PART NO & DATE CODE, INK STAMPED WHITE OR HOT STAMP (NO WHITE TAPE) IN THIS AREA. (SIDE OPTIONAL)



MOLDED CHARACTERS (UPPER & LOWER CASE LETTERS OMITTING LETTERS G, I, O & Q).

1. SLEEVING MAY BE REQUIRED ON ALTERNATE CONTACTS,

THIS DRAWING IS A CONTROLLED DOCUMENT.		DRN: RUMBLE 04APR75	TE Connectivity Ltd.																						
		CHK: RUMBLE 04APR75																							
DIMENSIONS: INCHES		APVD: R SHOUIMER 04APR75	NAME: HOUSING ASSY LOW PROFILE EDGE CONNECTOR, WITHSOLDER EYELET .125 CENTERS.																						
TOLERANCES UNLESS OTHERWISE SPECIFIED:		PRODUCT SPEC: -	SIZE: A2																						
<table border="0"> <tr><td>0 PLC</td><td>±</td><td>-</td></tr> <tr><td>1 PLC</td><td>±</td><td>-</td></tr> <tr><td>2 PLC</td><td>±</td><td>-</td></tr> <tr><td>3 PLC</td><td>±</td><td>-</td></tr> <tr><td>4 PLC</td><td>±</td><td>-</td></tr> <tr><td>ANGLES</td><td>±</td><td>-</td></tr> <tr><td>FINISH</td><td>-</td><td>-</td></tr> </table>		0 PLC	±	-	1 PLC	±	-	2 PLC	±	-	3 PLC	±	-	4 PLC	±	-	ANGLES	±	-	FINISH	-	-	APPLICATION SPEC: -	DRAWING NO: 00779	
0 PLC	±	-																							
1 PLC	±	-																							
2 PLC	±	-																							
3 PLC	±	-																							
4 PLC	±	-																							
ANGLES	±	-																							
FINISH	-	-																							
MATERIAL: -		WEIGHT: -	CAGE CODE: C=530664																						
		CUSTOMER DRAWING	SCALE: 5:1	SHEET: 1 of 2																					
			REV: M2	RESTRICTED TO: -																					

530664

REVISIONS				
P	LTR	DESCRIPTION	DATE	DWN APVD
-	-	SEE SHEET 1	-	-

NOTES:

- 1 .000015 MIN GOLD OVER.00005 MIN. NICKEL IN CONTACT AREA.
- 2 .000030 MIN GOLD OVER.00005 MIN. NICKEL IN CONTACT AREA.
- 3 ALL PARTS ASSEMBLED IN MEXICO MUST BE STAMPED "ASSY IN MEXICO" THE WORD "MEXICO" CAN BE SUBSTITUTED ONLY WHERE PART SIZE PROHIBITS STAMPING "ASSY IN MEXICO" INK IS STAMP COLOR WHITE OR HOT STAMP (NO WHITE TAPE) 115-9009, APPROX, WHERE SHOWN, SIDE OPTIONAL,
- 4 MATTE TIN PLATED CONTACT TAILS.
- 5 OBSOLETE PARTS: OBSOLETE CIS STREAMLINING PER D.RENAUD/D.SINISI

<del>4</del> <del>5</del>	OBSOLETE	<del>8</del> 530664 <del>2</del>	6.125	.437	6.375	6.535	6.795	7.055	50	-
<del>4</del> <del>5</del>	OBSOLETE	<del>8</del> 530664 <del>0</del>	4.875	.437	5.125	5.285	5.545	5.805	40	-
<del>4</del> <del>5</del>	OBSOLETE	<del>7</del> 530664 <del>6</del>	3.375	.437	3.625	3.785	4.045	4.305	28	-
<del>4</del> <del>5</del>	OBSOLETE	<del>7</del> 530664 <del>5</del>	2.625	.437	2.875	3.035	3.295	3.555	22	-
4		7-530664-3	1.750	.437	2.000	2.160	2.420	2.680	15	-
	OBSOLETE	<del>3</del> 530664 <del>2</del>	6.125	.437	6.375	6.535	6.795	7.055	50	<del>1-530664-2</del>
	OBSOLETE	<del>3</del> 530664 <del>1</del>	5.250	.437	5.500	5.660	5.920	6.180	43	<del>1-530664-1</del>
	OBSOLETE	<del>3</del> 530664 <del>0</del>	4.875	.437	5.125	5.285	5.545	5.805	40	<del>1-530664-0</del>
	OBSOLETE	<del>2</del> 530664 <del>9</del>	4.375	.370	4.625	4.785	5.045	5.305	36	<del>530664-9</del>
	OBSOLETE	<del>2</del> 530664 <del>8</del>	3.750		4.000	4.160	4.420	4.680	31	<del>530664-8</del>
	OBSOLETE	<del>2</del> 530664 <del>7</del>	3.625		3.875	4.035	4.295	4.555	30	<del>530664-7</del>
	OBSOLETE	<del>5</del> 2-530664 <del>6</del>	3.375		3.625	3.785	4.045	4.305	28	<del>530664-6</del>
	OBSOLETE	<del>2</del> 530664 <del>5</del>	2.625		2.875	3.035	3.295	3.555	22	<del>530664-5</del>
	OBSOLETE	<del>2</del> 530664 <del>4</del>	2.125		2.375	2.535	2.795	3.055	18	<del>530664-4</del>
	OBSOLETE	<del>2</del> 530664 <del>3</del>	1.750		2.000	2.160	2.420	2.680	15	<del>530664-3</del>
	OBSOLETE	<del>2</del> 530664 <del>2</del>	1.125		1.375	1.535	1.795	2.055	10	<del>530664-2</del>
	OBSOLETE	<del>2</del> 530664 <del>1</del>	6.25	.370	8.75	1.035	1.295	1.555	6	<del>530664-1</del>

PART NO.	2	G	W	D	C	B	A	NO.POS	PART NO.	1
THIS DRAWING IS A CONTROLLED DOCUMENT.		DWG RUMBLE 04APR75		CHK RUMBLE 04APR75		APVD		NAME		
DIMENSIONS: INCHES		TOLERANCES UNLESS OTHERWISE SPECIFIED:		PRODUCT SPEC		APPLICATION SPEC		HOUSING ASSY LOW PROFILE EDGE CONNECTOR, WITH SOLDER EYELET .125 CENTERS.		
MATERIAL		FINISH		WEIGHT		SCALE		RESTRICTED TO		
						A2 00779 C=530664		M2		
						CUSTOMER DRAWING		SCALE 1:1 SHEET 2 of 2 REV M2		

530664

## X-ON Electronics

Largest Supplier of Electrical and Electronic Components

*Click to view similar products for [Standard Card Edge Connectors](#) category:*

*Click to view products by [TE Connectivity](#) manufacturer:*

Other Similar products are found below :

[CR7E-30DB-3.96E\(72\)](#) [6364499-1](#) [6565204-6](#) [PKC-156](#) [1437274-4](#) [147889-1](#) [1489165-4](#) [EBT15622B2X](#) [1-582587-1](#) [284-0102-12100](#)  
[286-0052-12101A](#) [306022901000000](#) [307-012-502-202](#) [307-056-520-300](#) [2129318-1](#) [245-062-520-350](#) [287-0032-12101](#) [306-028-525-102](#)  
[307-072-526-202](#) [345-060-559-303](#) [392-008-559-201](#) [534671-1](#) [341-240-317](#) [345-044-500-300](#) [346-240-318](#) [395-100-524-300](#) [09-07-2032](#)  
[10035388-802LF](#) [10115859-011LF](#) [10122859-009LF](#) [10127905-B04B24BLF](#) [530555-1](#) [5-678046-1](#) [73726-0005](#) [66308-1](#) [1-1437275-6](#)  
[PEC-07-02-T-S-A](#) [346-014-520-801](#) [307-048-502-202](#) [CE100F22-9-C](#) [CE100F26-7-C](#) [CE100F28-3-D](#) [CE156F18-9-C](#) [CE156F22-5-D](#)  
[CE156F22-9-C](#) [CT100F22-2-D](#) [CT100F22-3-D](#) [CT100F24-2-D](#) [CT100F24-3-D](#) [CT100F24-6-C](#)