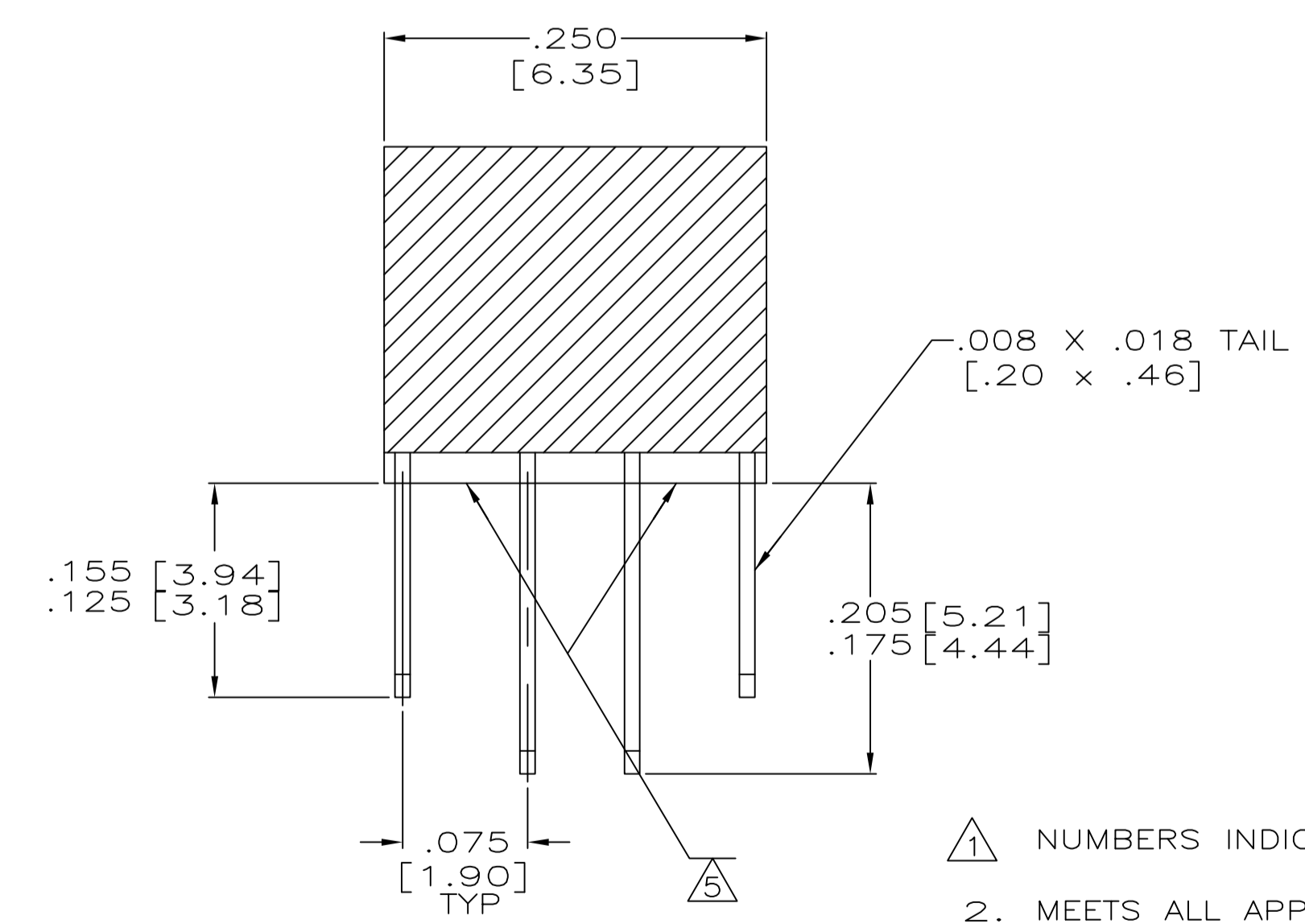
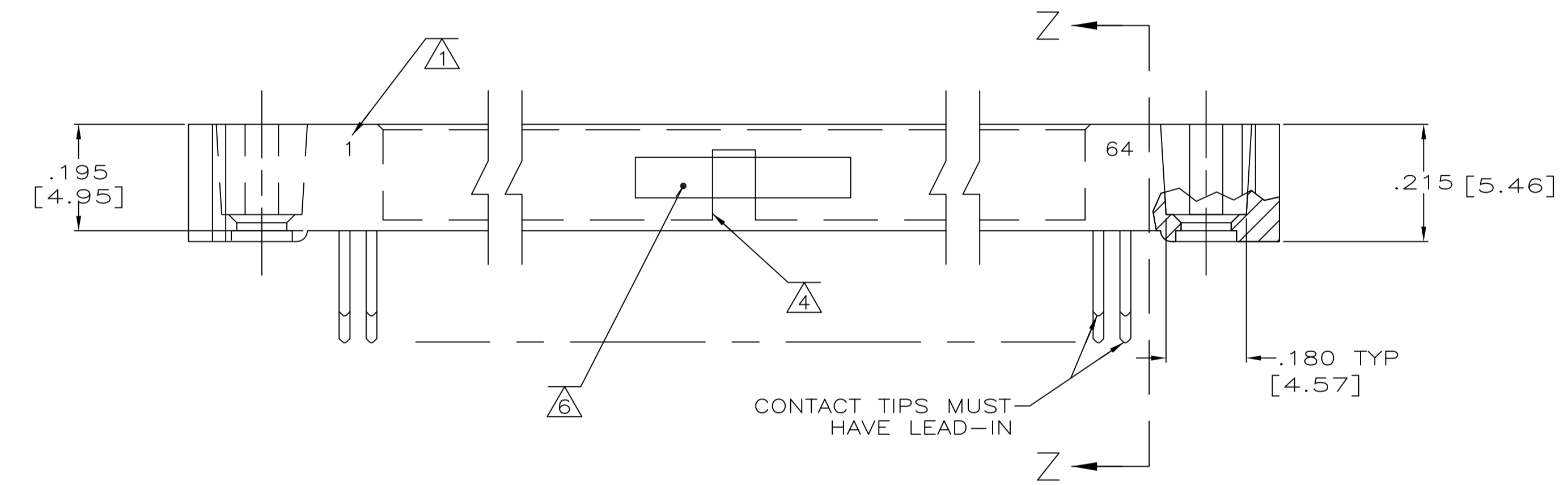
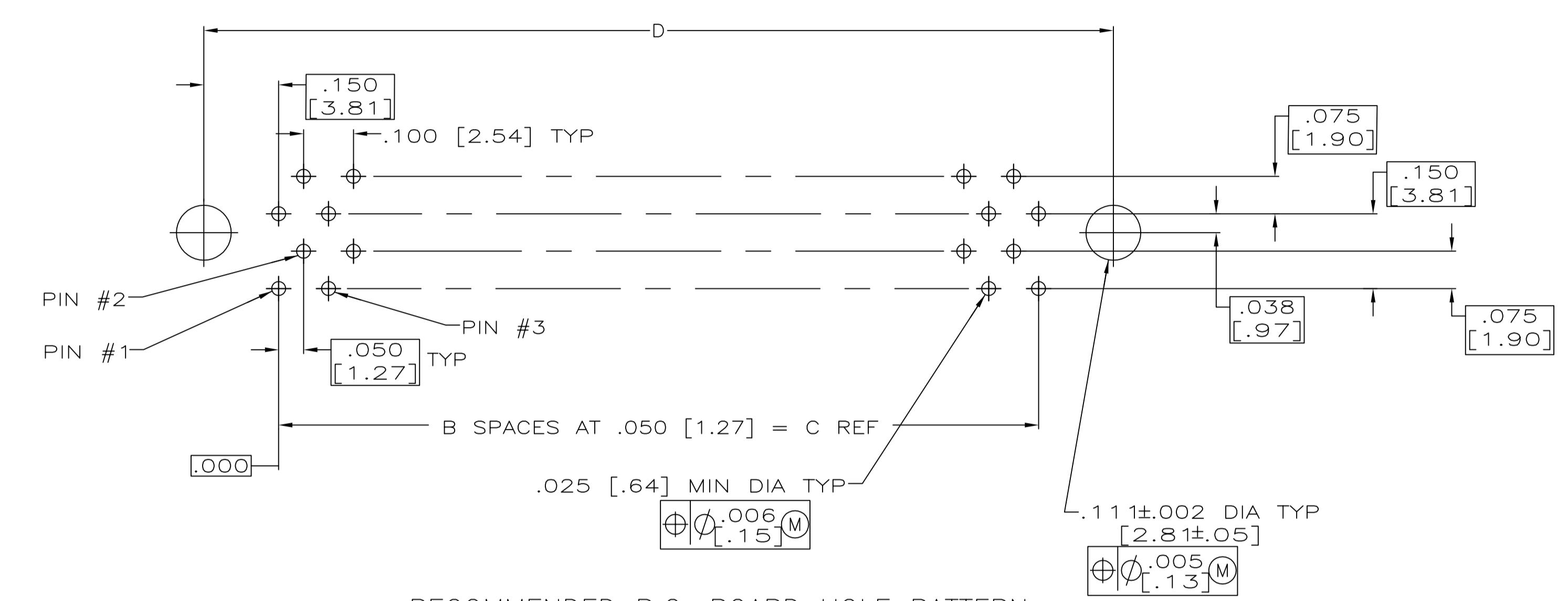
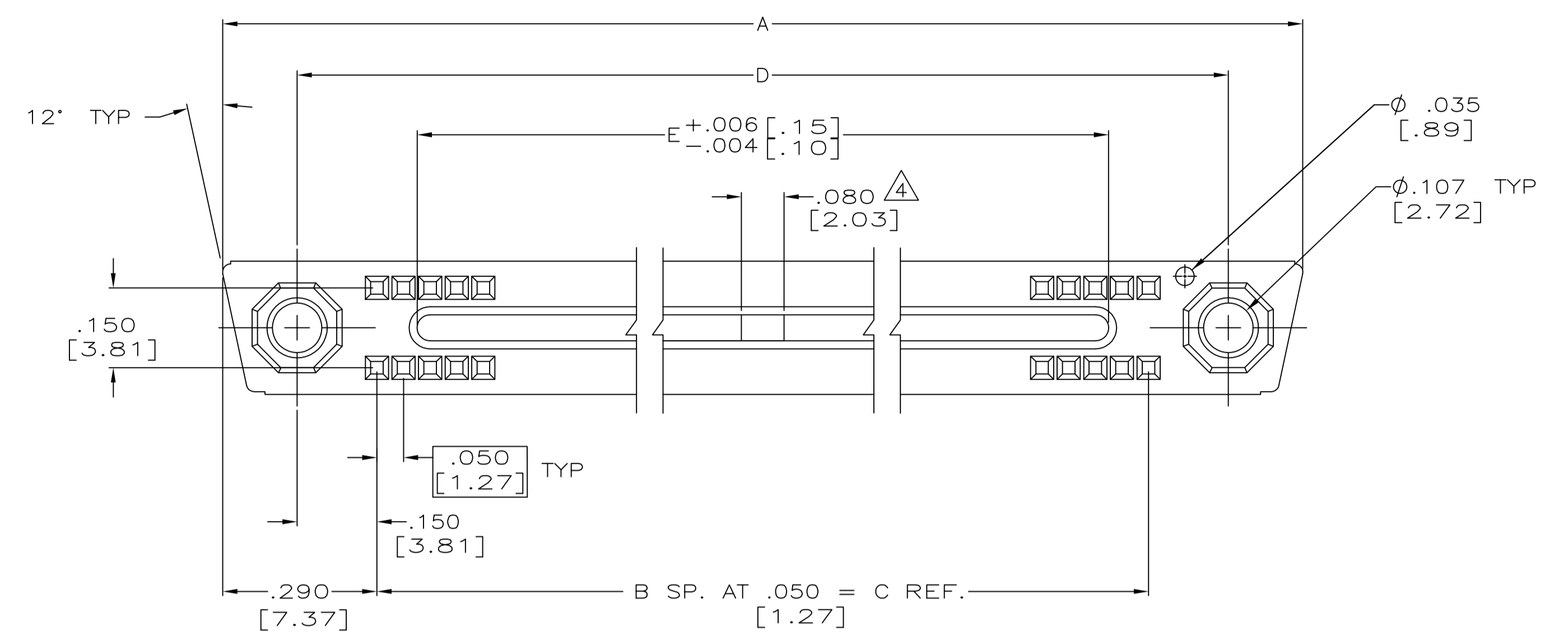


REVISIONS				
P	LTR	DESCRIPTION	DATE	OWN APVD
P		REVISED PER ECO-16-017894	27APR2017	PHM CT



- ① NUMBERS INDICATING END POSITIONS MARKED THIS SIDE ONLY.
- 2. MEETS ALL APPLICABLE REQUIREMENTS OF MIL-C-55302.
- ③ HOUSING MATERIAL: LIQUID CRYSTAL POLYMER PER MIL-M-24519, GLCP-30F; COLOR: GRAY.
- ④ BRIDGE IN GROOVE N/A FOR 20 THRU 50 POSITIONS.
- ⑤ EPOXY IS ADDED TO BOTTOM OF HOUSING FOR INCREASED CONTACT RETENTION.
- ⑥ AMP, 00779, PART NO., MILITARY P/N AND DATE CODE MARKED IN THIS APPROXIMATE AREA.
- ⑦ CONNECTOR HAS NO EPOXY ADDED FOR CONTACT RETENTION OR SEALING.

REMARKS	HSG MAT'L	MILITARY P/N	CAVITY ID	E	D	C	A	POSN.
⑤	③	M55302/119-11	1 - 64	3.000 [76.20]	3.450 [87.63]	3.150 [80.01]	63	3.740 [95.00]
		M55302/119-10	1 - 55	2.550 [64.77]	3.000 [76.20]	2.700 [68.58]	54	3.290 [83.57]
		M55302/119-09	1 - 50	2.300 [58.42]	2.750 [69.85]	2.450 [62.23]	49	3.040 [77.22]
		M55302/119-08	1 - 45	2.050 [52.07]	2.500 [63.50]	2.200 [55.88]	44	2.790 [70.87]
		M55302/119-07	1 - 40	1.800 [45.72]	2.250 [57.15]	1.950 [49.53]	39	2.540 [64.52]
		M55302/119-06	1 - 35	1.550 [39.37]	2.000 [50.80]	1.700 [43.18]	34	2.290 [58.17]
		M55302/119-05	1 - 30	1.300 [33.02]	1.750 [44.45]	1.450 [36.83]	29	2.040 [51.82]
		M55302/119-04	1 - 25	1.050 [26.67]	1.500 [38.10]	1.200 [30.48]	24	1.790 [45.47]
		M55302/119-03	1 - 20	.800 [20.32]	1.250 [31.75]	.950 [24.13]	19	1.540 [39.12]
		M55302/119-02	1 - 15	.550 [13.97]	1.000 [25.40]	.700 [17.78]	14	1.290 [32.77]
		M55302/119-01	1 - 10	.300 [7.62]	.750 [19.05]	.450 [11.43]	9	1.040 [26.42]
		M55302/119-11	1 - 64	3.000 [76.20]	3.450 [87.63]	3.150 [80.01]	63	3.740 [95.00]
		M55302/119-10	1 - 55	2.550 [64.77]	3.000 [76.20]	2.700 [68.58]	54	3.290 [83.57]
		M55302/119-09	1 - 50	2.300 [58.42]	2.750 [69.85]	2.450 [62.23]	49	3.040 [77.22]
		M55302/119-08	1 - 45	2.050 [52.07]	2.500 [63.50]	2.200 [55.88]	44	2.790 [70.87]
		M55302/119-07	1 - 40	1.800 [45.72]	2.250 [57.15]	1.950 [49.53]	39	2.540 [64.52]
		M55302/119-06	1 - 35	1.550 [39.37]	2.000 [50.80]	1.700 [43.18]	34	2.290 [58.17]
		M55302/119-05	1 - 30	1.300 [33.02]	1.750 [44.45]	1.450 [36.83]	29	2.040 [51.82]
		M55302/119-04	1 - 25	1.050 [26.67]	1.500 [38.10]	1.200 [30.48]	24	1.790 [45.47]
		M55302/119-03	1 - 20	.800 [20.32]	1.250 [31.75]	.950 [24.13]	19	1.540 [39.12]
		M55302/119-02	1 - 15	.550 [13.97]	1.000 [25.40]	.700 [17.78]	14	1.290 [32.77]
		M55302/119-01	1 - 10	.300 [7.62]	.750 [19.05]	.450 [11.43]	9	1.040 [26.42]

SECTION Z-Z
SCALE 10:1

THIS DRAWING IS A CONTROLLED DOCUMENT.

MANUFACTURED BY: MANJUNATH G. M. (06JUN2015)
 DWG: CHARLES THOMAS (06JUN2015)
 APVD: CHARLES THOMAS (06JUN2015)
 PRODUCT SPEC: -
 APPLICATION SPEC: -
 MATERIAL: -
 FINISH: -

TE Connectivity
 RECEPTACLE ASSY, MINI BOX
 MILITARY, WITH LOW FORCE CONTACTS

SIZE: A1
 CAGE CODE: 00779
 DRAWING NO: C=530745
 SCALE: 5:1
 SHEET: 1 OF 1
 REV: P

X-ON Electronics

Largest Supplier of Electrical and Electronic Components

Click to view similar products for te connectivity manufacturer:

Other Similar products are found below :

[570416-000](#) [CLTEQ-M81CE-SSRELAY-4-20V](#) [4-1633138-8](#) [D38999/24FJ4AN](#) [4-1195131-0](#) [650069-000](#) [SMD100-2](#) [2EDL4CM](#)
[DTS20W19-11PD-3028](#) [DTS20W19-11PD-3028-LC](#) [DTS20W19-32SD-3028-LC](#) [DTS20W19-32SD-3028](#) [NC6-P104-06](#) [TXR64AB90-](#)
[3616AI](#) [DTS26F21-41HE](#) [DTS26F21-41AE](#) [DTS26F21-41PE-LC](#) [DTS26F21-11SE-3028-LC](#) [D38999/24WF32JE](#) [D38999/24WF32SE-LC](#)
[DTS24W19-32HE](#) [D38999/20JB35HA](#) [D38999/24WJ20PA](#) [164-8033-08](#) [D38999/24FF32JE](#) [D38999/24FF32SE-LC](#) [D38999/24WF32JB](#)
[D38999/24WG11HA](#) [D38999/24WG11HN](#) [MS27467T21F11H](#) [DJT16E21-11HA](#) [DTS24F19-32HE](#) [DTS20W19-32SA-3028-LC](#) [DTS24F19-](#)
[11SC-3028-LC](#) [DTS24F19-11SC-3028](#) [DJT14E13-98HB](#) [D38999/20WC8BB](#) [1-330599-5](#) [DTS24F21-41HN-LC](#) [DTS24F21-41HN](#)
[DTS24F21-41AN](#) [DTS24F21-39HN](#) [DTS24F21-41PN-LC](#) [AFD50-10-6SN-1A-LC](#) [DJT10F17-26HC](#) [DTS24W19-32HB](#) [ACT20JE99HA](#)
[DJT10E17-26HC](#) [DJT10E17-26HN](#) [DJT10F17-26HA](#)