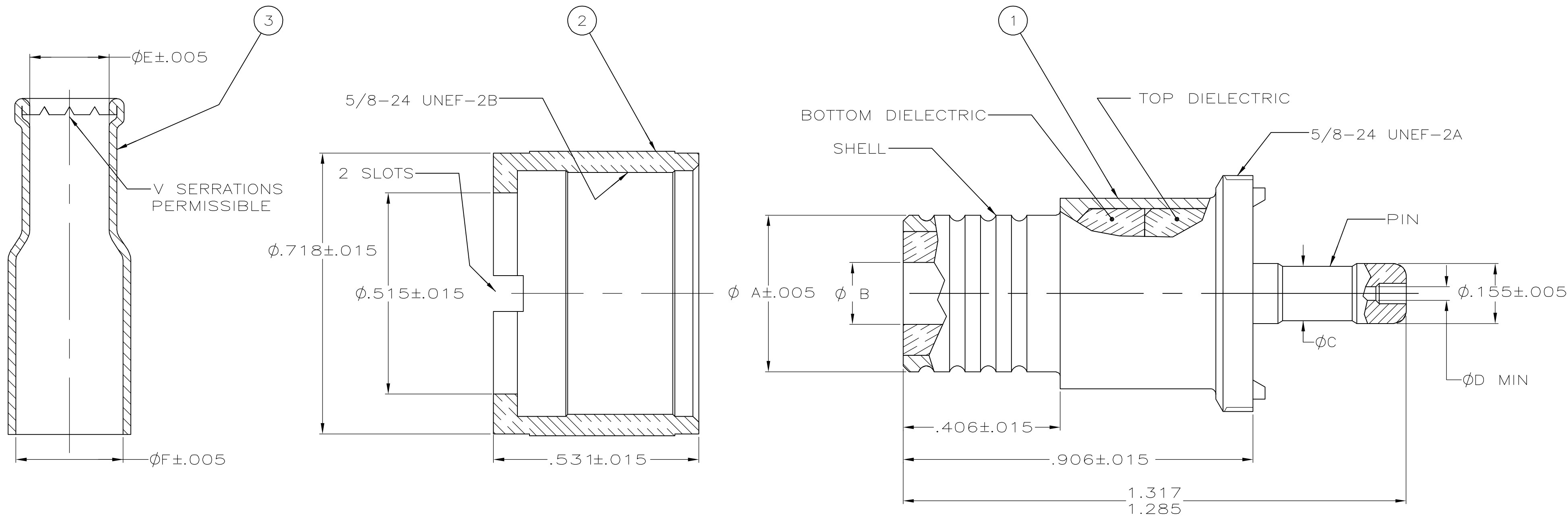


THIS DRAWING IS UNPUBLISHED. RELEASED FOR PUBLICATION
 © COPYRIGHT BY TYCO ELECTRONICS CORPORATION. ALL RIGHTS RESERVED.

LOC	DIST	REVISIONS					
AJ	16	P	LTR	DESCRIPTION	DATE	DWN	APVD
		A		REV PER ECO 06-002539	06APR06	GB	JH



.705 OZ	.875	.277	.205	.057	.141	.130	.233	RG-58/U	9-330915-1	9-330914-0	9-330913-1	2-5330830-4
-	.875	.448	.425	.088	-	.295	.405	RG-8, RG-8A, RG-213/U	9-330915-0	9-330914-0	9-330913-0	5330830
WEIGHT	G	F	E	D	C	B	A	CABLE SIZE	FERRULE QTY=1	COLLAR QTY=1	PLUG ASSY QTY=1	PART NUMBER

ITEM	MATERIAL AND FINISH
1	COPPER PER QQ-C-576 SILVER PL PER QQ-S-365 .0002 MIN. EXT THK.
2	BRASS PER ASTM B 16 SILVER PL PER QQ-S-365 .0002 MIN. EXT THK.
3	PIN: BRONZE PER ASTM-B-140 SILVER PL PER QQ-S-365 .0002 MIN. EXT THK. DIELECTRIC, TOP & BOTTOM: POLYPROPYLENE (GENERAL PURPOSE) SHELL: BRASS PER ASTM B 16 SILVER PL PER QQ-S-365 .0002 MIN. EXT THK.

THIS DRAWING IS A CONTROLLED DOCUMENT.

DWN	L. VARELA - DOCK5	21APR2005
CHK	J. HAVENER	21APR2005
APVD	G. MICHAEL	21APR2005

NAME: COAXICON CONNECTOR UHF PLUG

SIZE: A2 CAGE CODE: 00779 DRAWING NO: C=5330830

WEIGHT: SEE TABLE SCALE: 2:1 SHEET: 1 of 1

CUSTOMER DRAWING

5330830

X-ON Electronics

Largest Supplier of Electrical and Electronic Components

Click to view similar products for [RF Connectors / Coaxial Connectors](#) category:

Click to view products by [TE Connectivity](#) manufacturer:

Other Similar products are found below :

[8915-1511-000](#) [89674-0827](#) [6001-7071-019](#) [6002-7051-003](#) [6002-7551-202](#) [6059674-1](#) [619550-1](#) [630059-000](#) [M39030/3-01N](#) [6500-7071-046](#) [6769](#) [CX050L2AQ](#) [7002-1541-010](#) [7002-1542-011](#) [7004-1512-000](#) [7009-1511-004](#) [7010-1511-000](#) [7029-1511-060](#) [7101-1541-010](#) [7101-1571-002](#) [7105-1521-002](#) [7145-1521-002](#) [7203-1571-003](#) [7209-1511-011](#) [7210-1511-015](#) [7210-1511-019](#) [73137-5015](#) [73216-2241](#) [73404-2300](#) [7405-1521-005](#) [7405-1521-802](#) [8527](#) [8547](#) [FS11V](#) [877931](#) [9049-9513-000](#) [9074-9513-000](#) [9101-9573-002](#) [910A205F](#) [9130-9573-002](#) [PL11SC-026](#) [PL375-33](#) [PL40-5](#) [PL74C-221](#) [PL75MC-217](#) [PL803-7](#) [1200690078](#) [1-201144-1](#) [R107003010W](#) [R110A172100](#)