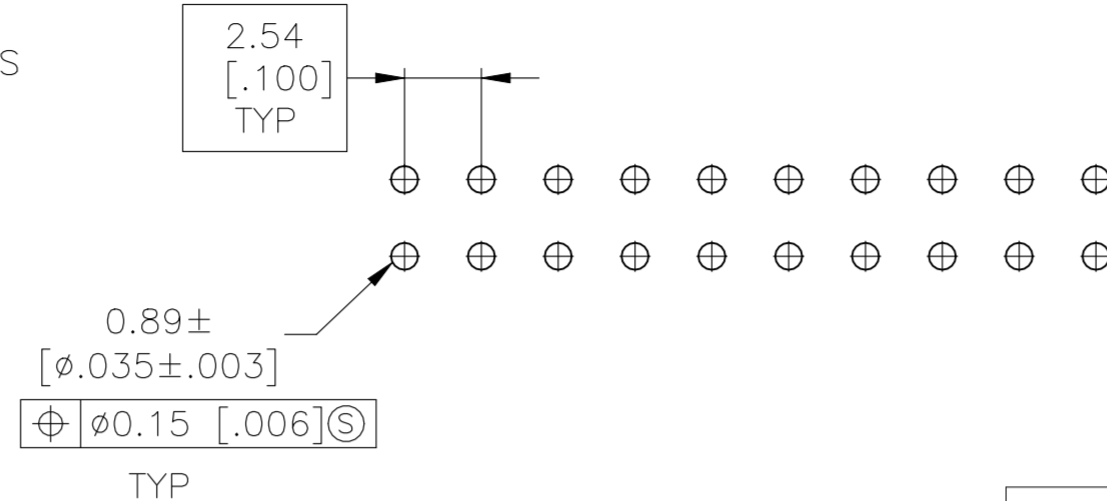
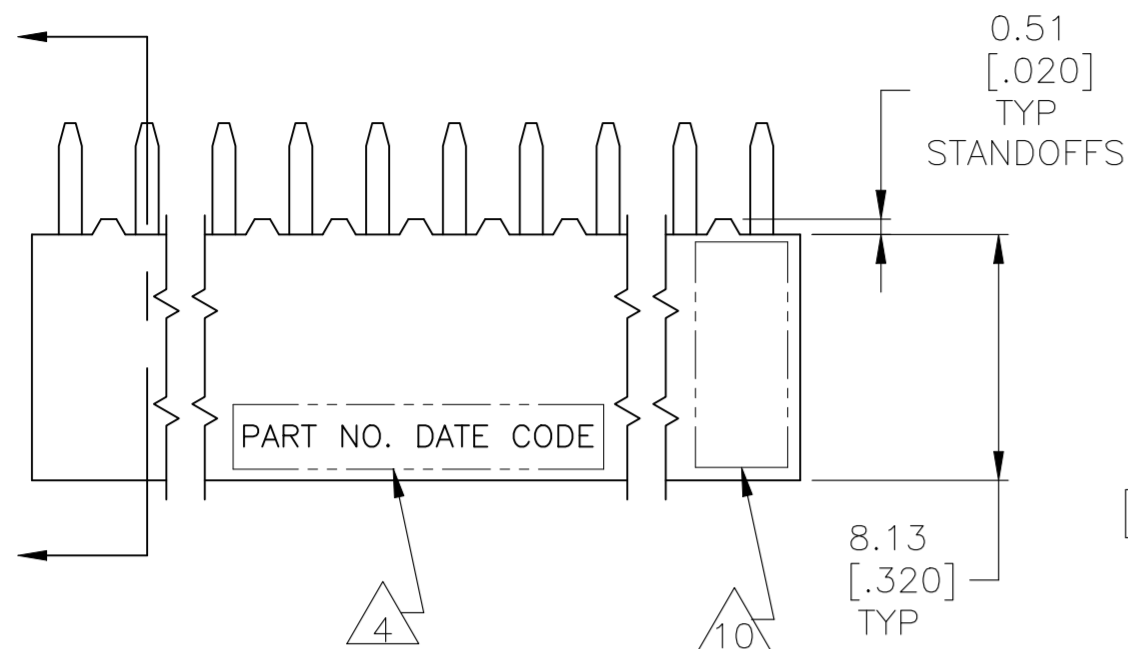
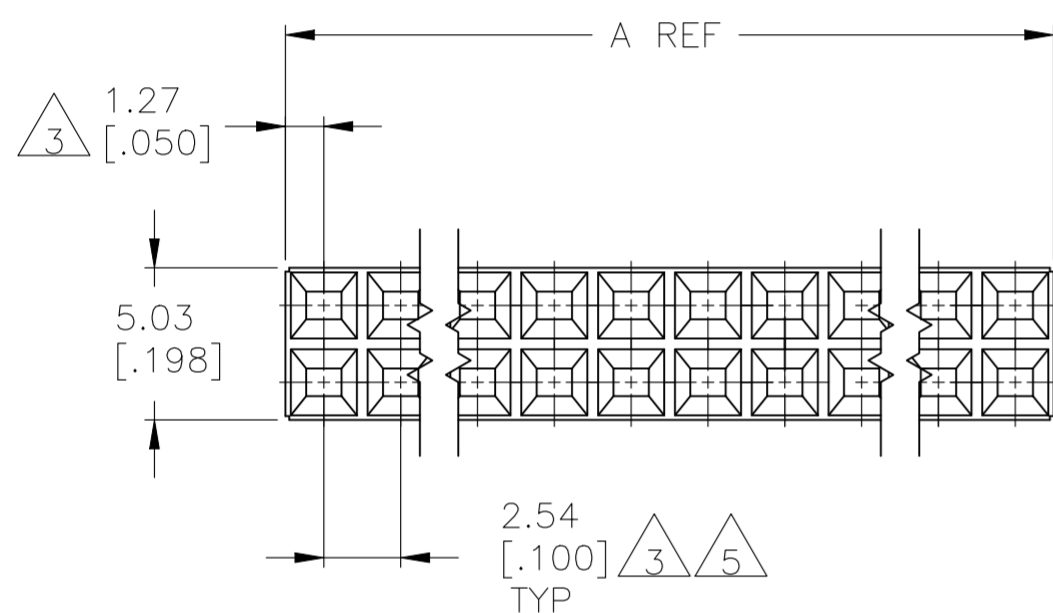


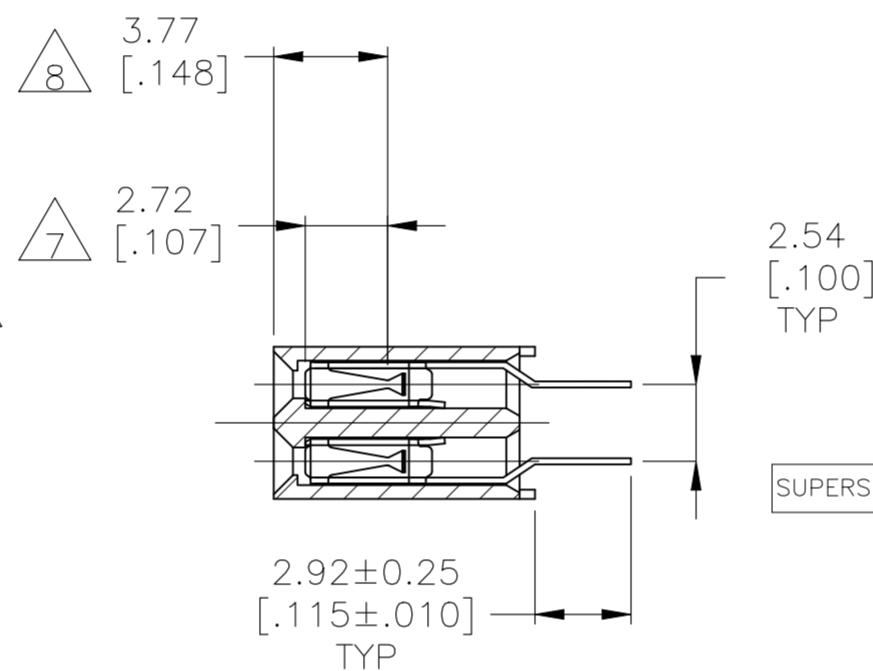
REVISIONS				
P	LTR	DESCRIPTION	DATE	APVD
S		RESIN SUPPLIER CHANGE FOR THE HOUSING	09NOV2021	SCB KJK



RECOMENDED PC BOARD HOLE PATTERN
PC BOARD THICKNESS 1.57[.062]



2.54±0.25
[.100±.010] 5



SUPERSEDED BY 8-534206-5

SUPERSEDED BY 7-534206-1

2	99.06[3.900]	101.60[4.000]	80	4-534206-0
2	96.52[3.800]	99.06[3.900]	78	3-534206-9
2	93.98[3.700]	96.52[3.800]	76	3-534206-8
2	91.44[3.600]	93.98[3.700]	74	3-534206-7
2	88.90[3.500]	91.44[3.600]	72	3-534206-6
2	86.36[3.400]	88.90[3.500]	70	3-534206-5
2	83.82[3.300]	86.36[3.400]	68	3-534206-4
2	81.28[3.200]	83.82[3.300]	66	3-534206-3
2	78.74[3.100]	81.28[3.200]	64	3-534206-2
2	76.20[3.000]	78.74[3.100]	62	3-534206-1
2	73.66[2.900]	76.20[3.000]	60	3-534206-0
2	71.12[2.800]	73.66[2.900]	58	2-534206-9
2	68.58[2.700]	71.12[2.800]	56	2-534206-8
2	66.04[2.600]	68.58[2.700]	54	2-534206-7
2	63.50[2.500]	66.04[2.600]	52	2-534206-6
2	60.96[2.400]	63.50[2.500]	50	2-534206-5
2	58.42[2.300]	60.96[2.400]	48	2-534206-4
2	55.88[2.200]	58.42[2.300]	46	2-534206-3
2	53.34[2.100]	55.88[2.200]	44	2-534206-2
2	50.80[2.000]	53.34[2.100]	42	2-534206-1
2	48.26[1.900]	50.80[2.000]	40	2-534206-0
2	45.72[1.800]	48.26[1.900]	38	1-534206-9
2	43.18[1.700]	45.72[1.800]	36	1-534206-8
2	40.64[1.600]	43.18[1.700]	34	1-534206-7
2	38.10[1.500]	40.64[1.600]	32	1-534206-6
2	35.56[1.400]	38.10[1.500]	30	1-534206-5
2	33.02[1.300]	35.56[1.400]	28	1-534206-4
2	30.48[1.200]	33.02[1.300]	26	1-534206-3
2	27.94[1.100]	30.48[1.200]	24	1-534206-2
2	25.40[1.000]	27.94[1.100]	22	1-534206-1
2	22.86[.900]	25.40[1.000]	20	1-534206-0
2	20.32[.800]	22.86[.900]	18	534206-9
2	17.78[.700]	20.32[.800]	16	534206-8
2	15.24[.600]	17.78[.700]	14	534206-7
2	12.70[.500]	15.24[.600]	12	534206-6
2	10.16[.400]	12.70[.500]	10	534206-5
2	7.62[.300]	10.16[.400]	8	534206-4
2	5.08[.200]	7.62[.300]	6	534206-3
2	2.54[.100]	5.08[.200]	4	534206-2
2	-	2.54[.100]	2	534206-1

FINISH	B	A	NO OF .POSN	PART NUMBER

- 1 HOUSING: FLAME RETARDANT, GLASS FILLED, POLYESTER, COLOR: BLACK. CONTACT: PHOSPHOR BRONZE
- 2 CONTACT: DUPLEX PLATED 0.76µm[.000030] GOLD IN CONTACT AREA, 3.81-7.62µm[.000150-.000300] BRIGHT TIN-LEAD ON LEADS ALL OVER 1.27µm[.000050] MINIMUM NICKEL
- 3 THESE DIMENSIONS PERTAIN TO CAVIITY CENTERLINES ONLY - NOT TO CONTACT LOCATIONS
- 4 PART NUMBER AND DATE CODE ARE MARKED IN APPROXIMATE LOCATION SHOWN,EITHER SIDE.
- 5 TOLERANCE IS NON-CUMULATIVE.
- 6 2 POSITION DATE CODE IS MARKED OPPOSITE SIDE OF TE CONNECTIVITY LOGO.
- 7 POINT-OF-MEASUREMENT DIMENSION FOR PLATING THICKNESS (INSIDE CONTACT BEAM).
- 8 POINT-OF-CONTACT DIMENSION.
- 9 NO PART NUMBER MARKING REQUIRED FOR THIS PART.
- 10 TE LOGO AND CSA LOGO ARE MOLDED INTO HOUSING.
- 11 CONTACT: DUPLEX PLATED 0.76µm[.000030] MIN GOLD IN CONTACT AREA, 3.81-7.62µm[.000150-.000300] MATTE TIN ON LEADS ALL OVER 1.27µm[.000050] MIN NICKEL
- 12 ROHS 2002 /95/EC COMPLIANT.

THIS DRAWING IS A CONTROLLED DOCUMENT.

DWN M.BINNER 06NOV2002
CHK J.OLSON 06NOV02
APVD J.OLSON 06NOV02

TE Connectivity Ltd.

RECEPTACLE ASSEMBLY, MOD II,
DOUBLE ROW, DUAL ENTRY, .100X.100CL,
VERTICAL MOUNT, AMPMODU

108-25022
114-25018

SCALE 4:1 SHEET 1 OF 2 REV S

REVISIONS

P	LTR	DESCRIPTION	DATE	DWN	APVD
-	-	SEE SHEET 1	-	-	-

FINISH	B	A	NO OF POSN	PART NUMBER
11	99.06[3.900]	101.60[4.000]	80	9-534206-0
11	96.52[3.800]	99.06[3.900]	78	8-534206-9
11	93.98[3.700]	96.52[3.800]	76	8-534206-8
11	91.44[3.600]	93.98[3.700]	74	8-534206-7
11	88.90[3.500]	91.44[3.600]	72	8-534206-6
11	86.36[3.400]	88.90[3.500]	70	8-534206-5
11	83.82[3.300]	86.36[3.400]	68	8-534206-4
11	81.28[3.200]	83.82[3.300]	66	8-534206-3
11	78.74[3.100]	81.28[3.200]	64	8-534206-2
11	76.20[3.000]	78.74[3.100]	62	8-534206-1
11	73.66[2.900]	76.20[3.000]	60	8-534206-0
11	71.12[2.800]	73.66[2.900]	58	7-534206-9
11	68.58[2.700]	71.12[2.800]	56	7-534206-8
11	66.04[2.600]	68.58[2.700]	54	7-534206-7
11	63.50[2.500]	66.04[2.600]	52	7-534206-6
11	60.96[2.400]	63.50[2.500]	50	7-534206-5
11	58.42[2.300]	60.96[2.400]	48	7-534206-4
11	55.88[2.200]	58.42[2.300]	46	7-534206-3
11	53.34[2.100]	55.88[2.200]	44	7-534206-2
11	50.80[2.000]	53.34[2.100]	42	7-534206-1
11	48.26[1.900]	50.80[2.000]	40	7-534206-0
11	45.72[1.800]	48.26[1.900]	38	6-534206-9
11	43.18[1.700]	45.72[1.800]	36	6-534206-8
11	40.64[1.600]	43.18[1.700]	34	6-534206-7
11	38.10[1.500]	40.64[1.600]	32	6-534206-6
11	35.56[1.400]	38.10[1.500]	30	6-534206-5
11	33.02[1.300]	35.56[1.400]	28	6-534206-4
11	30.48[1.200]	33.02[1.300]	26	6-534206-3
11	27.94[1.100]	30.48[1.200]	24	6-534206-2
11	25.40[1.000]	27.94[1.100]	22	6-534206-1
11	22.86[.900]	25.40[1.000]	20	6-534206-0
11	20.32[.800]	22.86[.900]	18	5-534206-9
11	17.78[.700]	20.32[.800]	16	5-534206-8
11	15.24[.600]	17.78[.700]	14	5-534206-7
11	12.70[.500]	15.24[.600]	12	5-534206-6
9	10.16[.400]	12.70[.500]	10	5-534206-5
9	7.62[.300]	10.16[.400]	8	5-534206-4
9	5.08[.200]	7.62[.300]	6	5-534206-3
9	2.54[.100]	5.08[.200]	4	5-534206-2
9	-	2.54[.100]	2	5-534206-1

534206

D

A

THIS DRAWING IS A CONTROLLED DOCUMENT.		DWN M.BINNER 06NOV2002	TE Connectivity Ltd.	
DIMENSIONS: mm [INCHES]		CHK J.OLSON 06NOV02		
TOLERANCES UNLESS OTHERWISE SPECIFIED:		APVD J.OLSON 06NOV02	NAME	
0 PLC ± -		PRODUCT SPEC	RECEPTACLE ASSEMBLY, MOD II, DOUBLE ROW, DUAL ENTRY, .100X.100CL, VERTICAL MOUNT, AMPMODU	
1 PLC ± -		108-25022	SIZE	CAGE CODE
2 PLC ± 0.13[.005]		APPLICATION SPEC	A2	00779
3 PLC ± -		114-25018	DRAWING NO	
4 PLC ± -		WEIGHT	C=534206	
ANGLES ± -		-	RESTRICTED TO	-
MATERIAL	FINISH	CUSTOMER DRAWING		
1	2 11	SCALE	SHEET	REV
		4:1	2 OF 2	S

X-ON Electronics

Largest Supplier of Electrical and Electronic Components

Click to view similar products for [Headers & Wire Housings](#) category:

Click to view products by [TE Connectivity](#) manufacturer:

Other Similar products are found below :

[57102-F02-18ULF](#) [58102-G61-06LF](#) [582553-1](#) [009176003701906](#) [0050291907](#) [02.125.8002.8](#) [609-3404](#) [61062-3](#) [622-0430](#) [622-3653LF](#)
[63453-116](#) [636-1030](#) [636-1427](#) [636-3427](#) [636-4007](#) [641938-9](#) [65495-038](#) [65692-001LF](#) [65781-018](#) [65781-047](#) [65817-010LF](#) [65817-015LF](#)
[66207-023LF](#) [67016-026LF](#) [67095-007LF](#) [68631-112](#) [68645-018](#) [68648-049](#) [699319-000](#) [M90C108951C](#) [70.362.1628.0](#) [70-4210](#) [70-4226B](#)
[70-4853B](#) [707-5020](#) [707-5028](#) [71.350.2428.0](#) [71961-016LF](#) [733-134](#) [754199-000](#) [760-3052](#) [787-8014-00](#) [FCN-367T-T012/H](#)
[80.063.4001.1](#) [800-90-001-10-001000](#) [801-43-002-10-013000](#) [801-43-006-10-002000](#) [803-41-018-10-001000](#) [803-43-014-20-001000](#)
[803-43-024-10-001000](#)