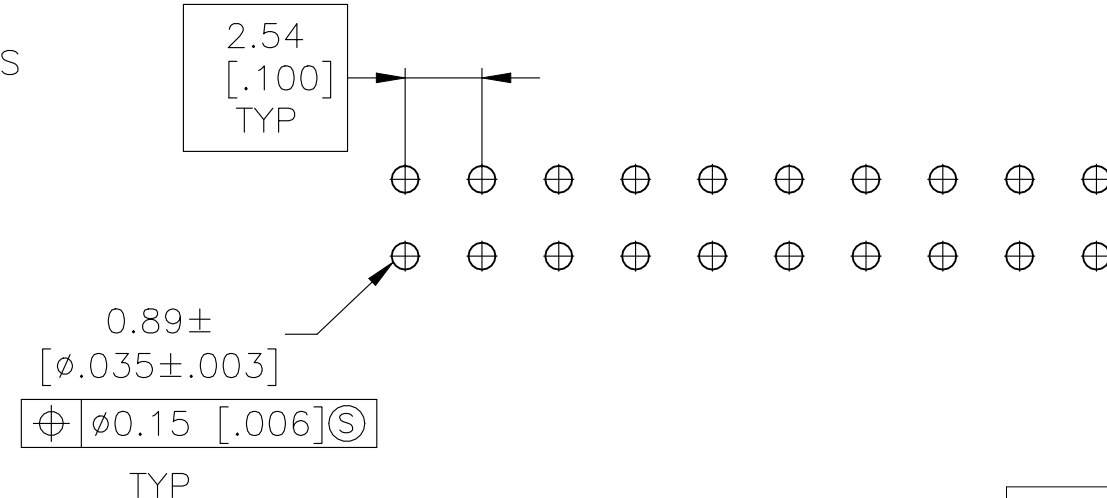
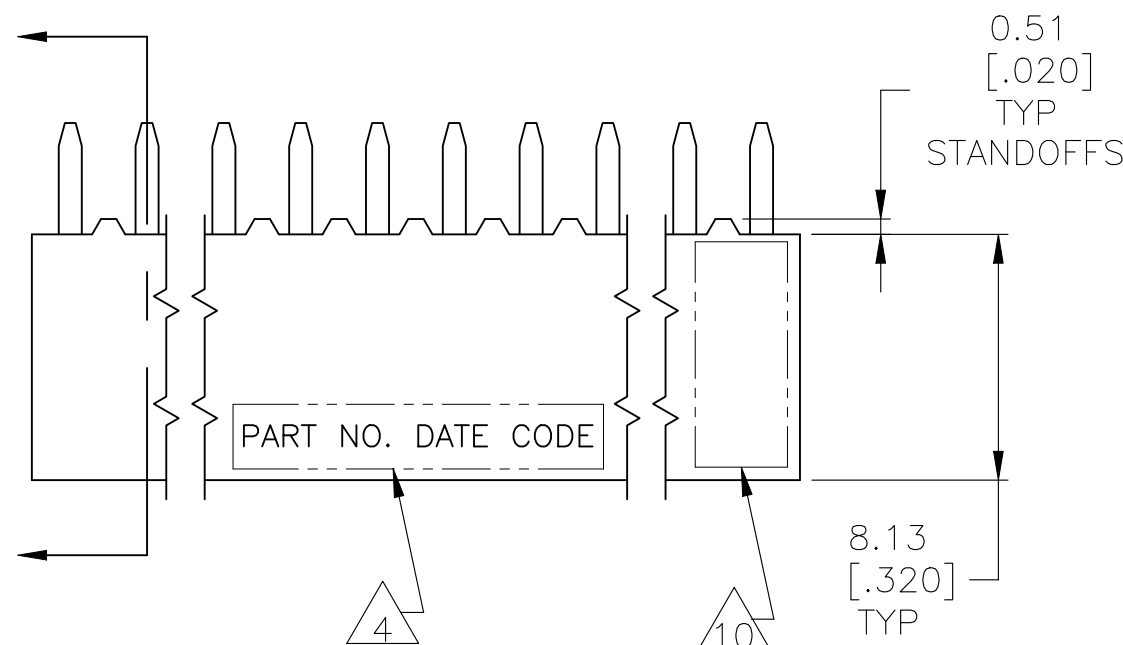
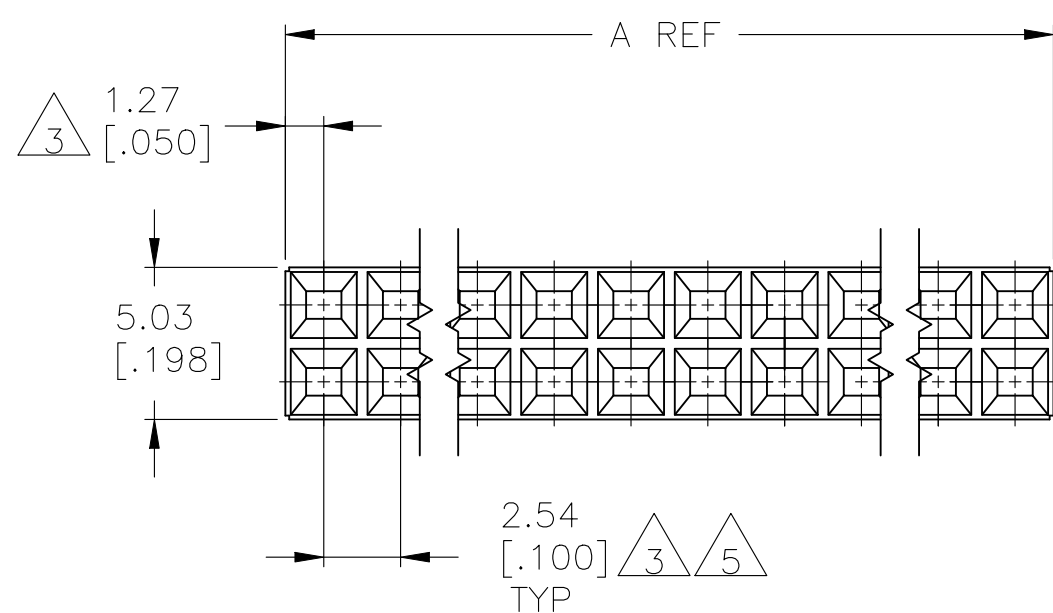


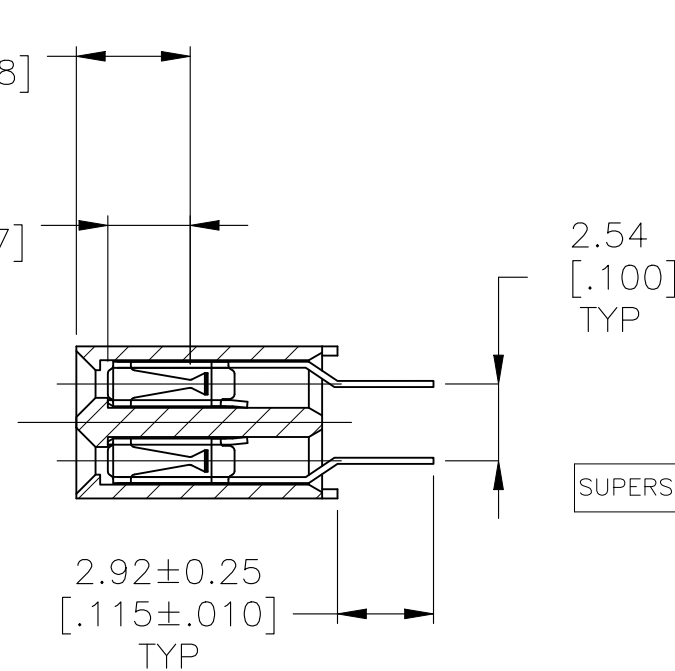
| REVISIONS | | | | |
|-----------|-----|---------------------------------------|-----------|----------|
| P | LTR | DESCRIPTION | DATE | DWN APVD |
| S | | RESIN SUPPLIER CHANGE FOR THE HOUSING | 09NOV2021 | SCB KJK |



RECOMENDED PC BOARD HOLE PATTERN
PC BOARD THICKNESS 1.57[.062]



2.54±0.25
[.100±.010] 5



SUPERSEDED BY 8-534206-5

SUPERSEDED BY 7-534206-1

| | | | | |
|---|--------------|---------------|----|------------|
| 2 | 99.06[3.900] | 101.60[4.000] | 80 | 4-534206-0 |
| 2 | 96.52[3.800] | 99.06[3.900] | 78 | 3-534206-9 |
| 2 | 93.98[3.700] | 96.52[3.800] | 76 | 3-534206-8 |
| 2 | 91.44[3.600] | 93.98[3.700] | 74 | 3-534206-7 |
| 2 | 88.90[3.500] | 91.44[3.600] | 72 | 3-534206-6 |
| 2 | 86.36[3.400] | 88.90[3.500] | 70 | 3-534206-5 |
| 2 | 83.82[3.300] | 86.36[3.400] | 68 | 3-534206-4 |
| 2 | 81.28[3.200] | 83.82[3.300] | 66 | 3-534206-3 |
| 2 | 78.74[3.100] | 81.28[3.200] | 64 | 3-534206-2 |
| 2 | 76.20[3.000] | 78.74[3.100] | 62 | 3-534206-1 |
| 2 | 73.66[2.900] | 76.20[3.000] | 60 | 3-534206-0 |
| 2 | 71.12[2.800] | 73.66[2.900] | 58 | 2-534206-9 |
| 2 | 68.58[2.700] | 71.12[2.800] | 56 | 2-534206-8 |
| 2 | 66.04[2.600] | 68.58[2.700] | 54 | 2-534206-7 |
| 2 | 63.50[2.500] | 66.04[2.600] | 52 | 2-534206-6 |
| 2 | 60.96[2.400] | 63.50[2.500] | 50 | 2-534206-5 |
| 2 | 58.42[2.300] | 60.96[2.400] | 48 | 2-534206-4 |
| 2 | 55.88[2.200] | 58.42[2.300] | 46 | 2-534206-3 |
| 2 | 53.34[2.100] | 55.88[2.200] | 44 | 2-534206-2 |
| 2 | 50.80[2.000] | 53.34[2.100] | 42 | 2-534206-1 |
| 2 | 48.26[1.900] | 50.80[2.000] | 40 | 2-534206-0 |
| 2 | 45.72[1.800] | 48.26[1.900] | 38 | 1-534206-9 |
| 2 | 43.18[1.700] | 45.72[1.800] | 36 | 1-534206-8 |
| 2 | 40.64[1.600] | 43.18[1.700] | 34 | 1-534206-7 |
| 2 | 38.10[1.500] | 40.64[1.600] | 32 | 1-534206-6 |
| 2 | 35.56[1.400] | 38.10[1.500] | 30 | 1-534206-5 |
| 2 | 33.02[1.300] | 35.56[1.400] | 28 | 1-534206-4 |
| 2 | 30.48[1.200] | 33.02[1.300] | 26 | 1-534206-3 |
| 2 | 27.94[1.100] | 30.48[1.200] | 24 | 1-534206-2 |
| 2 | 25.40[1.000] | 27.94[1.100] | 22 | 1-534206-1 |
| 2 | 22.86[.900] | 25.40[1.000] | 20 | 1-534206-0 |
| 2 | 20.32[.800] | 22.86[.900] | 18 | 534206-9 |
| 2 | 17.78[.700] | 20.32[.800] | 16 | 534206-8 |
| 2 | 15.24[.600] | 17.78[.700] | 14 | 534206-7 |
| 2 | 12.70[.500] | 15.24[.600] | 12 | 534206-6 |
| 2 | 10.16[.400] | 12.70[.500] | 10 | 534206-5 |
| 2 | 7.62[.300] | 10.16[.400] | 8 | 534206-4 |
| 2 | 5.08[.200] | 7.62[.300] | 6 | 534206-3 |
| 2 | 2.54[.100] | 5.08[.200] | 4 | 534206-2 |
| 2 | - | 2.54[.100] | 2 | 534206-1 |

- 1 HOUSING: FLAME RETARDANT, GLASS FILLED, POLYESTER, COLOR: BLACK. CONTACT: PHOSPHOR BRONZE
- 2 CONTACT: DUPLEX PLATED 0.76µm[.000030] GOLD IN CONTACT AREA, 3.81-7.62µm[.000150-.000300] BRIGHT TIN-LEAD ON LEADS ALL OVER 1.27µm[.000050] MINIMUM NICKEL
- 3 THESE DIMENSIONS PERTAIN TO CAVIITY CENTERLINES ONLY - NOT TO CONTACT LOCATIONS
- 4 PART NUMBER AND DATE CODE ARE MARKED IN APPROXIMATE LOCATION SHOWN,EITHER SIDE.
- 5 TOLERANCE IS NON-CUMULATIVE.
- 6 2 POSITION DATE CODE IS MARKED OPPOSITE SIDE OF TE CONNECTIVITY LOGO.
- 7 POINT-OF-MEASUREMENT DIMENSION FOR PLATING THICKNESS (INSIDE CONTACT BEAM).
- 8 POINT-OF-CONTACT DIMENSION.
- 9 NO PART NUMBER MARKING REQUIRED FOR THIS PART.
- 10 TE LOGO AND CSA LOGO ARE MOLDED INTO HOUSING.
- 11 CONTACT: DUPLEX PLATED 0.76µm[.000030] MIN GOLD IN CONTACT AREA, 3.81-7.62µm[.000150-.000300] MATTE TIN ON LEADS ALL OVER 1.27µm[.000050] MIN NICKEL
- 12 ROHS 2002 /95/EC COMPLIANT.

| FINISH | B | A | NO OF .POSN | PART NUMBER |
|--------|---|---|-------------|-------------|
| | | | | |

THIS DRAWING IS A CONTROLLED DOCUMENT.


| | |
|--|---|
| DWN M.BINNER 06NOV2002 | TE Connectivity Ltd. |
| CHK J.OLSON 06NOV02 | |
| APVD J.OLSON 06NOV02 | |
| PRODUCT SPEC 108-25022 | |
| MATERIAL 1 | NAME RECEPTACLE ASSEMBLY, MOD II, DOUBLE ROW, DUAL ENTRY, .100X.100CL, VERTICAL MOUNT, AMPMODU |
| TOLERANCES UNLESS OTHERWISE SPECIFIED: 0 PLC ± - 1 PLC ± - 2 PLC ± 0.13[.005] 3 PLC ± - 4 PLC ± - ANGLES ± - | APPLICATION SPEC 114-25018 |
| WEIGHT - | SIZE A2 |
| CUSTOMER DRAWING | CAGE CODE 00779 |
| | DRAWING NO C=534206 |
| | RESTRICTED TO - |
| | SCALE 4:1 |
| | SHEET 1 of 2 |
| | REV S |

REVISIONS

| P | LTR | DESCRIPTION | DATE | DWN | APVD |
|---|-----|-------------|------|-----|------|
| - | - | SEE SHEET 1 | - | - | - |

| | | | | | |
|----|---------------|----------------|----|------|------------|
| 11 | 99.06 [3.900] | 101.60 [4.000] | 80 | 12 | 9-534206-0 |
| 11 | 96.52 [3.800] | 99.06 [3.900] | 78 | 12 | 8-534206-9 |
| 11 | 93.98 [3.700] | 96.52 [3.800] | 76 | 12 | 8-534206-8 |
| 11 | 91.44 [3.600] | 93.98 [3.700] | 74 | 12 | 8-534206-7 |
| 11 | 88.90 [3.500] | 91.44 [3.600] | 72 | 12 | 8-534206-6 |
| 11 | 86.36 [3.400] | 88.90 [3.500] | 70 | 12 | 8-534206-5 |
| 11 | 83.82 [3.300] | 86.36 [3.400] | 68 | 12 | 8-534206-4 |
| 11 | 81.28 [3.200] | 83.82 [3.300] | 66 | 12 | 8-534206-3 |
| 11 | 78.74 [3.100] | 81.28 [3.200] | 64 | 12 | 8-534206-2 |
| 11 | 76.20 [3.000] | 78.74 [3.100] | 62 | 12 | 8-534206-1 |
| 11 | 73.66 [2.900] | 76.20 [3.000] | 60 | 12 | 8-534206-0 |
| 11 | 71.12 [2.800] | 73.66 [2.900] | 58 | 12 | 7-534206-9 |
| 11 | 68.58 [2.700] | 71.12 [2.800] | 56 | 12 | 7-534206-8 |
| 11 | 66.04 [2.600] | 68.58 [2.700] | 54 | 12 | 7-534206-7 |
| 11 | 63.50 [2.500] | 66.04 [2.600] | 52 | 12 | 7-534206-6 |
| 11 | 60.96 [2.400] | 63.50 [2.500] | 50 | 12 | 7-534206-5 |
| 11 | 58.42 [2.300] | 60.96 [2.400] | 48 | 12 | 7-534206-4 |
| 11 | 55.88 [2.200] | 58.42 [2.300] | 46 | 12 | 7-534206-3 |
| 11 | 53.34 [2.100] | 55.88 [2.200] | 44 | 12 | 7-534206-2 |
| 11 | 50.80 [2.000] | 53.34 [2.100] | 42 | 12 | 7-534206-1 |
| 11 | 48.26 [1.900] | 50.80 [2.000] | 40 | 12 | 7-534206-0 |
| 11 | 45.72 [1.800] | 48.26 [1.900] | 38 | 12 | 6-534206-9 |
| 11 | 43.18 [1.700] | 45.72 [1.800] | 36 | 12 | 6-534206-8 |
| 11 | 40.64 [1.600] | 43.18 [1.700] | 34 | 12 | 6-534206-7 |
| 11 | 38.10 [1.500] | 40.64 [1.600] | 32 | 12 | 6-534206-6 |
| 11 | 35.56 [1.400] | 38.10 [1.500] | 30 | 12 | 6-534206-5 |
| 11 | 33.02 [1.300] | 35.56 [1.400] | 28 | 12 | 6-534206-4 |
| 11 | 30.48 [1.200] | 33.02 [1.300] | 26 | 12 | 6-534206-3 |
| 11 | 27.94 [1.100] | 30.48 [1.200] | 24 | 12 | 6-534206-2 |
| 11 | 25.40 [1.000] | 27.94 [1.100] | 22 | 12 | 6-534206-1 |
| 11 | 22.86 [.900] | 25.40 [1.000] | 20 | 12 | 6-534206-0 |
| 11 | 20.32 [.800] | 22.86 [.900] | 18 | 12 | 5-534206-9 |
| 11 | 17.78 [.700] | 20.32 [.800] | 16 | 12 | 5-534206-8 |
| 11 | 15.24 [.600] | 17.78 [.700] | 14 | 12 | 5-534206-7 |
| 11 | 12.70 [.500] | 15.24 [.600] | 12 | 12 | 5-534206-6 |
| 9 | 10.16 [.400] | 12.70 [.500] | 10 | 12 | 5-534206-5 |
| 9 | 7.62 [.300] | 10.16 [.400] | 8 | 12 | 5-534206-4 |
| 9 | 5.08 [.200] | 7.62 [.300] | 6 | 12 | 5-534206-3 |
| 9 | 2.54 [.100] | 5.08 [.200] | 4 | 12 | 5-534206-2 |
| 9 | - | 2.54 [.100] | 2 | 6/12 | 5-534206-1 |

| FINISH | B | A | NO OF POSN | PART NUMBER |
|--------|---|---|------------|-------------|
|--------|---|---|------------|-------------|

| | | | | |
|--|--|------------------------------|--|---------------|
| THIS DRAWING IS A CONTROLLED DOCUMENT. | | DWN M.BINNER 06NOV2002 |  TE Connectivity Ltd. | |
| DIMENSIONS: mm [INCHES] | | CHK J.OLSON 06NOV02 | | |
| TOLERANCES UNLESS OTHERWISE SPECIFIED: | | APVD J.OLSON 06NOV02 | NAME | |
| 0 PLC ± - | | PRODUCT SPEC | RECEPTACLE ASSEMBLY, MOD II, | |
| 1 PLC ± - | | 108-25022 | DOUBLE ROW, DUAL ENTRY, .100X.100CL, | |
| 2 PLC ± 0.13 [.005] | | APPLICATION SPEC | VERTICAL MOUNT, AMPMODU | |
| 3 PLC ± - | | 114-25018 | SIZE | RESTRICTED TO |
| 4 PLC ± - | | WEIGHT | A2 00779 | - |
| ANGLES ± - | | FINISH | CAGE CODE | DRAWING NO |
| MATERIAL | | 1 | 00779 | C=534206 |
| FINISH | | 2 11 | SCALE | SHEET |
| CUSTOMER DRAWING | | 4:1 | 2 OF 2 | REV S |

X-ON Electronics

Largest Supplier of Electrical and Electronic Components

Click to view similar products for [Headers & Wire Housings](#) category:

Click to view products by [TE Connectivity](#) manufacturer:

Other Similar products are found below :

[57102-F02-18ULF](#) [58102-G61-06LF](#) [582553-1](#) [009176003701906](#) [01.001.5753.1](#) [0050291907](#) [02.125.8002.8](#) [609-3404](#) [61062-3](#) [622-0430](#)
[622-3653LF](#) [63453-116](#) [636-1030](#) [636-1427](#) [636-3427](#) [636-4007](#) [641938-9](#) [65495-038](#) [65692-001LF](#) [65781-018](#) [65781-047](#) [65817-010LF](#)
[65817-015LF](#) [66207-023LF](#) [67095-007LF](#) [68631-112](#) [68645-018](#) [68648-049](#) [699319-000](#) [M90C108951C](#) [70.362.1628.0](#) [70-4210](#) [70-4226B](#)
[70-4853B](#) [707-5020](#) [707-5028](#) [71.350.2428.0](#) [71961-016LF](#) [733-134](#) [754199-000](#) [760-3052](#) [80.063.4001.1](#) [800-90-001-10-001000](#)
[801-43-002-10-013000](#) [801-43-006-10-002000](#) [803-41-018-10-001000](#) [803-43-014-20-001000](#) [803-43-024-10-001000](#) [803-93-012-10-001000](#)
[8-1437020-4](#)