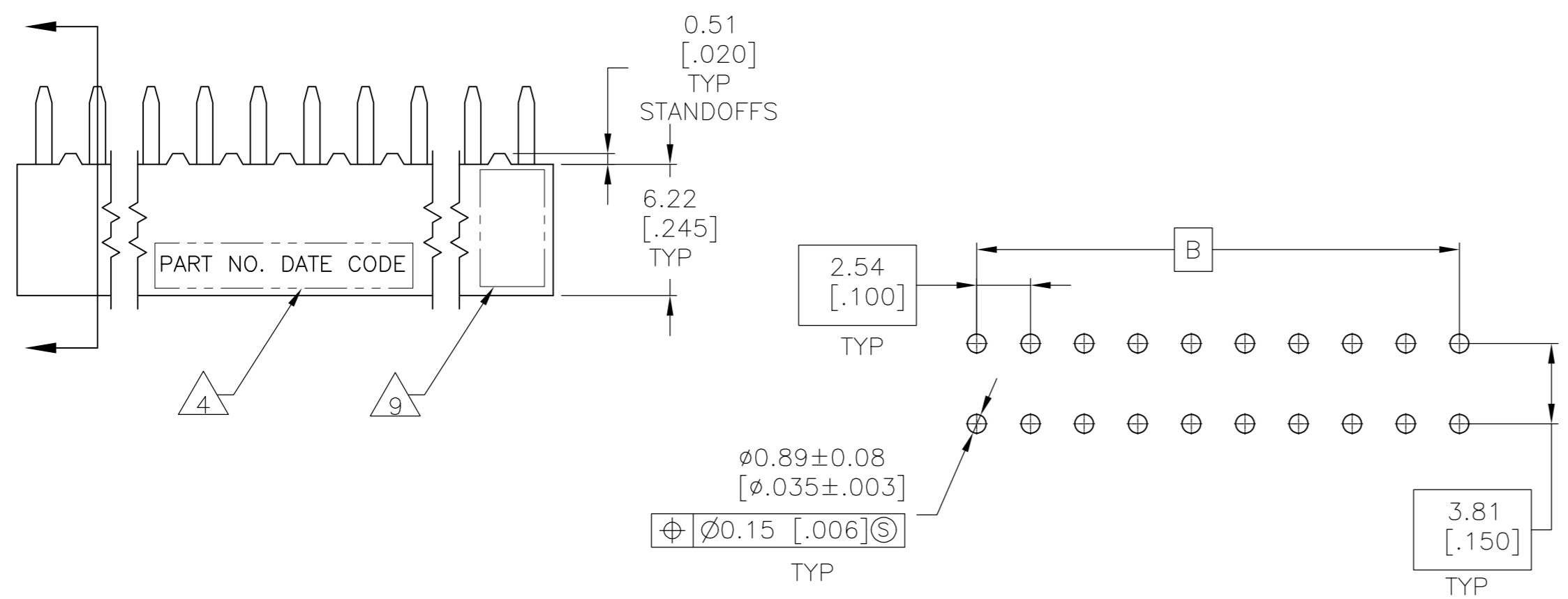
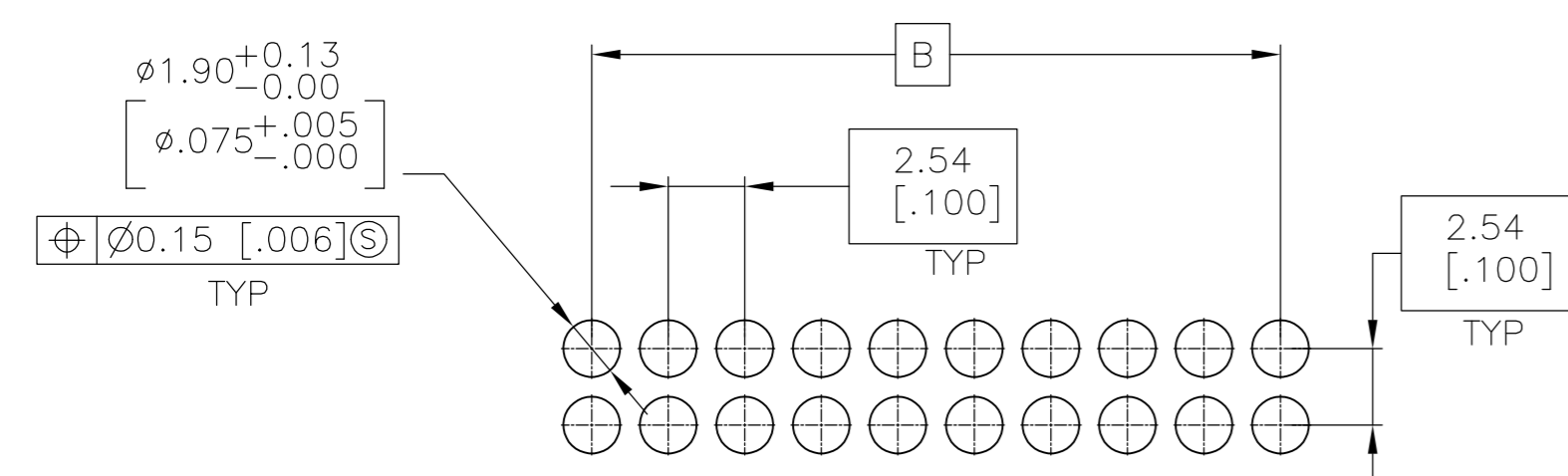
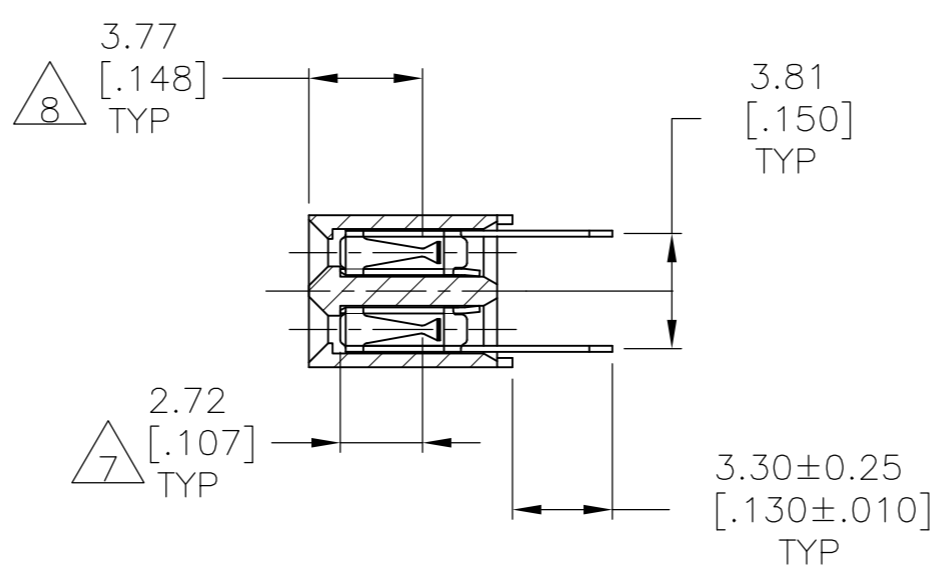
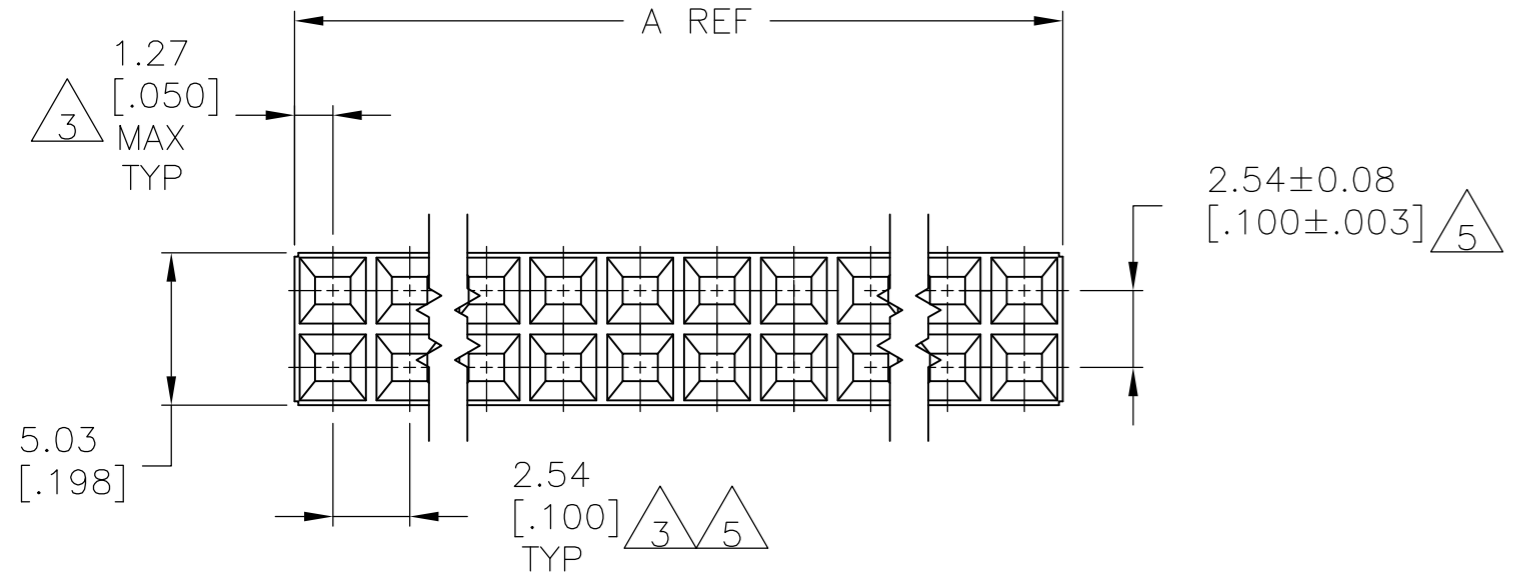


THIS DRAWING IS UNPUBLISHED. RELEASED FOR PUBLICATION
 © COPYRIGHT - By - ALL RIGHTS RESERVED.

| LOC | | DIST | | REVISIONS | | | |
|-----|-----|-------------|---------------------------|-----------|------|----|--|
| P | LTR | DESCRIPTION | DATE | DWN | APVD | | |
| AD | 00 | U5 | REVISED PER ECO-13-005565 | 30MAR13 | KH | JO | |



PC BOARD LAYOUT FOR TOP ENTRY
 PC BOARD THICKNESS 1.57 [.062]



PC BOARD LAYOUT FOR BOTTOM ENTRY
 PC BOARD THICKNESS 1.57 [.062]

- 1 HOUSING: FLAME RETARDANT, GLASS FILLED, POLYESTER, COLOR: BLACK. CONTACT: PHOSPHOR BRONZE
- 2 CONTACT: DUPLEX PLATED 0.76µm[.000030] GOLD IN CONTACT AREA, 3.81-7.62µm[.000150-.000300] BRIGHT TIN-LEAD ON LEADS, ALL OVER 1.27µm[.000050] MINIMUM NICKEL.
- 3 THESE DIMENSIONS PERTAIN TO CAVITY CENTERLINES ONLY - NOT TO CONTACT LOCATIONS
- 4 MARK PART NUMBER AND DATE CODE ARE MARKED IN APPROXIMATE LOCATION SHOWN, EITHER SIDE.
- 5 TOLERANCE IS NON-CUMULATIVE.
- 6 2 POSITION DATE CODE IS MARKED OPPOSITE SIDE OF TE LOGO.
- 7 POINT-OF-MEASUREMENT DIMENSION FOR PLATING THICKNESS (INSIDE CONTACT BEAM).
- 8 POINT-OF-CONTACT DIMENSION.
- 9 TE CONNECTIVITY TRADEMARK AND CSA LOGO ARE MOLDED INTO HOUSING, THIS LOCATION.
- 10 NO PART NUMBER MARKING REQUIRED FOR THIS PART.
- 11 CONTACT: DUPLEX PLATED 0.76 MICROMETERS (.000030) GOLD IN CONTACT AREA, 3.81-7.62 MICROMETERS (.000150-.000300) MATTE TIN ON LEADS, ALL OVER 1.27 MICROMETERS (.000050) MINIMUM NICKEL
- 12 ROHS 2002/95/EC COMPLIANT

| | | | | |
|--|----------------|-------------------------------|---|--------------------|
| THIS DRAWING IS A CONTROLLED DOCUMENT. | | DWN M.BINNER 06NOV2002 | | |
| DIMENSIONS: mm [INCHES] | | CHK J.OLSON 06NOV02 | | |
| TOLERANCES UNLESS OTHERWISE SPECIFIED: | | APVD J.OLSON 06NOV02 | NAME RECEPTACLE ASSEMBLY, MOD IV, DOUBLE ROW, DUAL ENTRY, .100X.100CL, VERTICAL MOUNT, AMPMODU | |
| 0 PLC ± - | 1 PLC ± - | PRODUCT SPEC 108-25022 | SIZE A2 | CAGE CODE 00779 |
| 2 PLC ± 0.13[.005] | 3 PLC ± - | APPLICATION SPEC 114-25018 | DRAWING NO C=535542 | RESTRICTED TO - |
| 4 PLC ± - | ANGLES ± - | WEIGHT - | SCALE 4:1 | SHEET 1 OF 2 |
| MATERIAL 1 | FINISH 2 11 | CUSTOMER DRAWING | REV U5 | |


THIS DRAWING IS UNPUBLISHED. RELEASED FOR PUBLICATION
 © COPYRIGHT - By - ALL RIGHTS RESERVED.

| LOC | DIST | REVISIONS | | | | | |
|-----|------|-----------|-----|-------------|------|-----|------|
| AD | 00 | P | LTR | DESCRIPTION | DATE | DWN | APVD |
| | | - | | SEE SHEET 1 | - | - | - |

| | | | | | | | |
|--------|-------|---------|------------|-------------|----|----|------------|
| 11 | 99.06 | [3.900] | 101.60 | [4.000] | 80 | 12 | 9-535542-0 |
| 11 | 96.52 | [3.800] | 99.06 | [3.900] | 78 | 12 | 8-535542-9 |
| 11 | 93.98 | [3.700] | 96.52 | [3.800] | 76 | 12 | 8-535542-8 |
| 11 | 91.44 | [3.600] | 93.98 | [3.700] | 74 | 12 | 8-535542-7 |
| 11 | 88.90 | [3.500] | 91.44 | [3.600] | 72 | 12 | 8-535542-6 |
| 11 | 86.36 | [3.400] | 88.90 | [3.500] | 70 | 12 | 8-535542-5 |
| 11 | 83.82 | [3.300] | 86.36 | [3.400] | 68 | 12 | 8-535542-4 |
| 11 | 81.28 | [3.200] | 83.82 | [3.300] | 66 | 12 | 8-535542-3 |
| 11 | 78.74 | [3.100] | 81.28 | [3.200] | 64 | 12 | 8-535542-2 |
| 11 | 76.20 | [3.000] | 78.74 | [3.100] | 62 | 12 | 8-535542-1 |
| 11 | 73.66 | [2.900] | 76.20 | [3.000] | 60 | 12 | 8-535542-0 |
| 11 | 71.12 | [2.800] | 73.66 | [2.900] | 58 | 12 | 7-535542-9 |
| 11 | 68.58 | [2.700] | 71.12 | [2.800] | 56 | 12 | 7-535542-8 |
| 11 | 66.04 | [2.600] | 68.58 | [2.700] | 54 | 12 | 7-535542-7 |
| 11 | 63.50 | [2.500] | 66.04 | [2.600] | 52 | 12 | 7-535542-6 |
| 11 | 60.96 | [2.400] | 63.50 | [2.500] | 50 | 12 | 7-535542-5 |
| 11 | 58.42 | [2.300] | 60.96 | [2.400] | 48 | 12 | 7-535542-4 |
| 11 | 55.88 | [2.200] | 58.42 | [2.300] | 46 | 12 | 7-535542-3 |
| 11 | 53.34 | [2.100] | 55.88 | [2.200] | 44 | 12 | 7-535542-2 |
| 11 | 50.80 | [2.000] | 53.34 | [2.100] | 42 | 12 | 7-535542-1 |
| 11 | 48.26 | [1.900] | 50.80 | [2.000] | 40 | 12 | 7-535542-0 |
| 11 | 45.72 | [1.800] | 48.26 | [1.900] | 38 | 12 | 6-535542-9 |
| 11 | 43.18 | [1.700] | 45.72 | [1.800] | 36 | 12 | 6-535542-8 |
| 11 | 40.64 | [1.600] | 43.18 | [1.700] | 34 | 12 | 6-535542-7 |
| 11 | 38.10 | [1.500] | 40.64 | [1.600] | 32 | 12 | 6-535542-6 |
| 11 | 35.56 | [1.400] | 38.10 | [1.500] | 30 | 12 | 6-535542-5 |
| 11 | 33.02 | [1.300] | 35.56 | [1.400] | 28 | 12 | 6-535542-4 |
| 11 | 30.48 | [1.200] | 33.02 | [1.300] | 26 | 12 | 6-535542-3 |
| 11 | 27.94 | [1.100] | 30.48 | [1.200] | 24 | 12 | 6-535542-2 |
| 11 | 25.40 | [1.000] | 27.94 | [1.100] | 22 | 12 | 6-535542-1 |
| 11 | 22.86 | [.900] | 25.40 | [1.000] | 20 | 12 | 6-535542-0 |
| 11 | 20.32 | [.800] | 22.86 | [.900] | 18 | 12 | 5-535542-9 |
| 11 | 17.78 | [.700] | 20.32 | [.800] | 16 | 12 | 5-535542-8 |
| 11 | 15.24 | [.600] | 17.78 | [.700] | 14 | 12 | 5-535542-7 |
| 11 | 12.70 | [.500] | 15.24 | [.600] | 12 | 12 | 5-535542-6 |
| 10 | 10.16 | [.400] | 12.70 | [.500] | 10 | 12 | 5-535542-5 |
| 10 | 7.62 | [.300] | 10.16 | [.400] | 8 | 12 | 5-535542-4 |
| 10 | 5.08 | [.200] | 7.62 | [.300] | 6 | 12 | 5-535542-3 |
| 10 | 2.54 | [.100] | 5.08 | [.200] | 4 | 12 | 5-535542-2 |
| 10 | - | | 2.54 | [.100] | 2 | 12 | 5-535542-1 |
| FINISH | B | A | NO OF POSN | PART NUMBER | | | |

| | | | | | | | |
|--------|-------|---------|------------|-------------|----|---|------------|
| 2 | 99.06 | [3.900] | 101.60 | [4.000] | 80 | 2 | 4-535542-0 |
| 2 | 96.52 | [3.800] | 99.06 | [3.900] | 78 | 2 | 3-535542-9 |
| 2 | 93.98 | [3.700] | 96.52 | [3.800] | 76 | 2 | 3-535542-8 |
| 2 | 91.44 | [3.600] | 93.98 | [3.700] | 74 | 2 | 3-535542-7 |
| 2 | 88.90 | [3.500] | 91.44 | [3.600] | 72 | 2 | 3-535542-6 |
| 2 | 86.36 | [3.400] | 88.90 | [3.500] | 70 | 2 | 3-535542-5 |
| 2 | 83.82 | [3.300] | 86.36 | [3.400] | 68 | 2 | 3-535542-4 |
| 2 | 81.28 | [3.200] | 83.82 | [3.300] | 66 | 2 | 3-535542-3 |
| 2 | 78.74 | [3.100] | 81.28 | [3.200] | 64 | 2 | 3-535542-2 |
| 2 | 76.20 | [3.000] | 78.74 | [3.100] | 62 | 2 | 3-535542-1 |
| 2 | 73.66 | [2.900] | 76.20 | [3.000] | 60 | 2 | 3-535542-0 |
| 2 | 71.12 | [2.800] | 73.66 | [2.900] | 58 | 2 | 2-535542-9 |
| 2 | 68.58 | [2.700] | 71.12 | [2.800] | 56 | 2 | 2-535542-8 |
| 2 | 66.04 | [2.600] | 68.58 | [2.700] | 54 | 2 | 2-535542-7 |
| 2 | 63.50 | [2.500] | 66.04 | [2.600] | 52 | 2 | 2-535542-6 |
| 2 | 60.96 | [2.400] | 63.50 | [2.500] | 50 | 2 | 2-535542-5 |
| 2 | 58.42 | [2.300] | 60.96 | [2.400] | 48 | 2 | 2-535542-4 |
| 2 | 55.88 | [2.200] | 58.42 | [2.300] | 46 | 2 | 2-535542-3 |
| 2 | 53.34 | [2.100] | 55.88 | [2.200] | 44 | 2 | 2-535542-2 |
| 2 | 50.80 | [2.000] | 53.34 | [2.100] | 42 | 2 | 2-535542-1 |
| 2 | 48.26 | [1.900] | 50.80 | [2.000] | 40 | 2 | 2-535542-0 |
| 2 | 45.72 | [1.800] | 48.26 | [1.900] | 38 | 2 | 1-535542-9 |
| 2 | 43.18 | [1.700] | 45.72 | [1.800] | 36 | 2 | 1-535542-8 |
| 2 | 40.64 | [1.600] | 43.18 | [1.700] | 34 | 2 | 1-535542-7 |
| 2 | 38.10 | [1.500] | 40.64 | [1.600] | 32 | 2 | 1-535542-6 |
| 2 | 35.56 | [1.400] | 38.10 | [1.500] | 30 | 2 | 1-535542-5 |
| 2 | 33.02 | [1.300] | 35.56 | [1.400] | 28 | 2 | 1-535542-4 |
| 2 | 30.48 | [1.200] | 33.02 | [1.300] | 26 | 2 | 1-535542-3 |
| 2 | 27.94 | [1.100] | 30.48 | [1.200] | 24 | 2 | 1-535542-2 |
| 2 | 25.40 | [1.000] | 27.94 | [1.100] | 22 | 2 | 1-535542-1 |
| 2 | 22.86 | [.900] | 25.40 | [1.000] | 20 | 2 | 1-535542-0 |
| 2 | 20.32 | [.800] | 22.86 | [.900] | 18 | 2 | 535542-9 |
| 2 | 17.78 | [.700] | 20.32 | [.800] | 16 | 2 | 535542-8 |
| 2 | 15.24 | [.600] | 17.78 | [.700] | 14 | 2 | 535542-7 |
| 2 | 12.70 | [.500] | 15.24 | [.600] | 12 | 2 | 535542-6 |
| 2 | 10.16 | [.400] | 12.70 | [.500] | 10 | 2 | 535542-5 |
| 2 | 7.62 | [.300] | 10.16 | [.400] | 8 | 2 | 535542-4 |
| 2 | 5.08 | [.200] | 7.62 | [.300] | 6 | 2 | 535542-3 |
| 2 | 2.54 | [.100] | 5.08 | [.200] | 4 | 2 | 535542-2 |
| 2 | - | | 2.54 | [.100] | 2 | 2 | 535542-1 |
| FINISH | B | A | NO OF POSN | PART NUMBER | | | |

THIS DRAWING IS A CONTROLLED DOCUMENT.

| | | | | | | |
|---|--|-------------------------------|-------------|--------------------|------------------------|--------------------|
| DWN M.BINNER 06NOV2002 |  TE Connectivity | | | | | |
| CHK J.OLSON 06NOV02 | | | | | | |
| APVD J.OLSON 06NOV02 | | | | | | |
| NAME RECEPTACLE ASSEMBLY, MOD IV, DOUBLE ROW, DUAL ENTRY, .100X.100CL, VERTICAL MOUNT, AMPMODU | | | | | | |
| DIMENSIONS: mm [INCHES] | TOLERANCES UNLESS OTHERWISE SPECIFIED: | PRODUCT SPEC 108-25022 | SIZE A2 | CAGE CODE 00779 | DRAWING NO C=535542 | RESTRICTED TO - |
| MATERIAL 1 | FINISH 2 11 | APPLICATION SPEC 114-25018 | WEIGHT - | SCALE 1:1 | SHEET 2 of 2 | REV U5 |
| CUSTOMER DRAWING | | | | | | |

X-ON Electronics

Largest Supplier of Electrical and Electronic Components

Click to view similar products for [Headers & Wire Housings](#) category:

Click to view products by [TE Connectivity](#) manufacturer:

Other Similar products are found below :

[892-18-020-10-001101](#) [58102-G61-06LF](#) [582553-1](#) [0009485154](#) [009176003701906](#) [0050291907](#) [LY20-4P-DT1-P1E-BR](#) [02.125.8002.8](#)
[609-3404](#) [61062-3](#) [61082-181009](#) [622-3653LF](#) [63453-116](#) [636-1030](#) [636-1427](#) [636-3427](#) [636-4007](#) [641938-9](#) [641991-4](#) [644827-2](#) [65817-](#)
[010LF](#) [65817-015LF](#) [65863-015LF](#) [66207-023LF](#) [67095-007LF](#) [67601157](#) [68645-018](#) [68648-049](#) [70.362.1628.0](#) [70-4210](#) [70-4226B](#) [70-](#)
[4853B](#) [707-5020](#) [707-5028](#) [71.350.2428.0](#) [71918-208LF](#) [71961-016LF](#) [733-134](#) [733-162](#) [754199-000](#) [760-3052](#) [787-8014-00](#) [79531-3000](#)
[FCN-360C032-B](#) [FCN-367T-T012/H](#) [FCN-723D010/2](#) [80.063.4001.1](#) [800-90-001-10-001000](#) [800-90-010-10-002000](#) [801-43-002-10-013000](#)