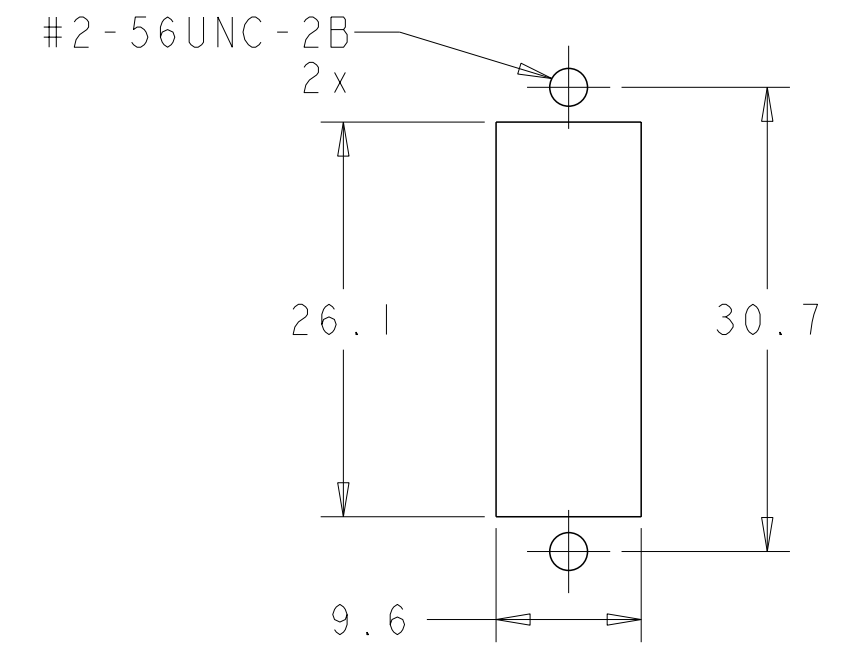
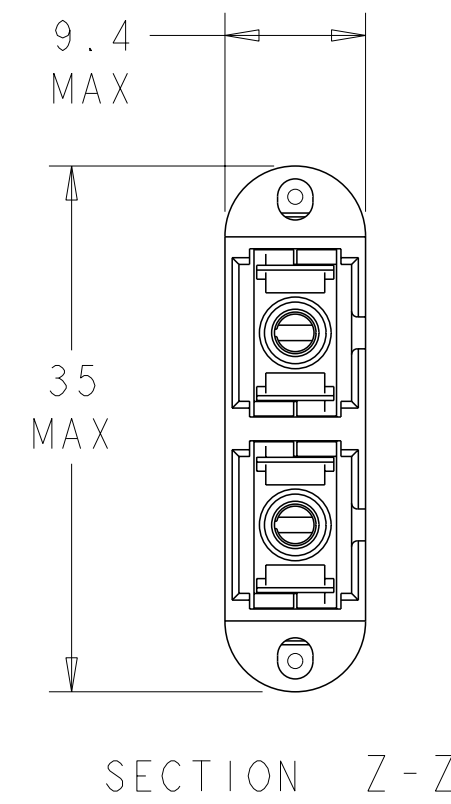
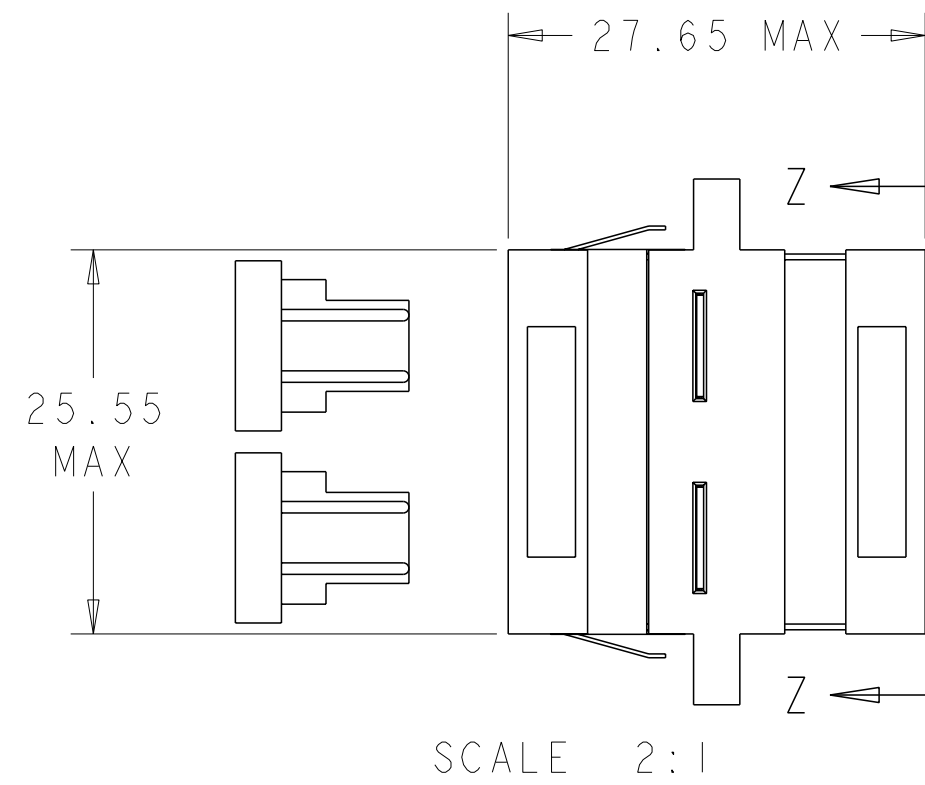
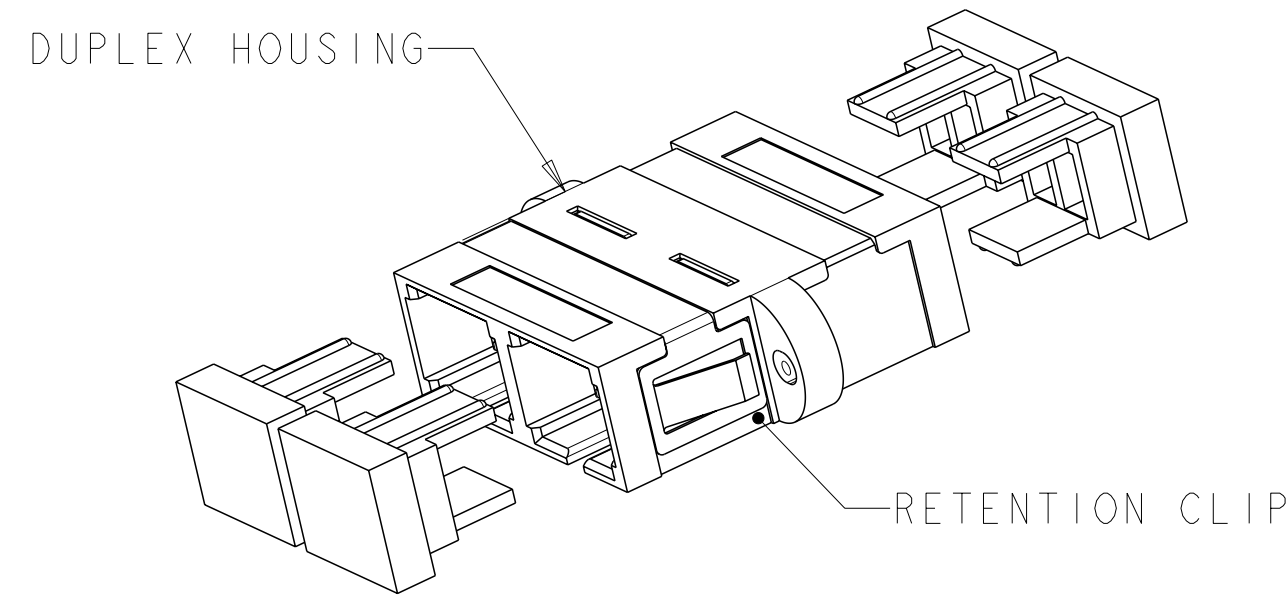


THIS DRAWING IS UNPUBLISHED. RELEASED FOR PUBLICATION 20  
 © 2016 COMMSCOPE INC. CONFIDENTIAL NOTICE: THESE DRAWINGS AND SPECIFICATIONS ARE THE PROPRIETARY PROPERTY OF COMMSCOPE, INC. AND MAY BE USED ONLY FOR THE SPECIFIC PURPOSE AUTHORIZED IN WRITING BY COMMSCOPE, INC.

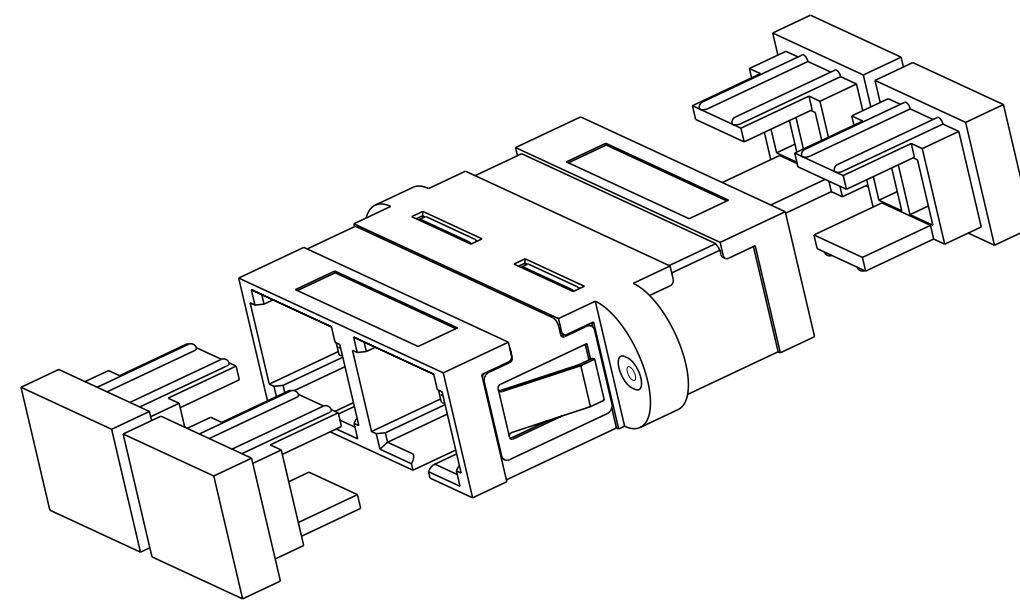
REVISIONS				
P	LTR	DESCRIPTION	DATE	APVD
C		REV; 40033035MCO	23AUG2016	GG TE



SUGGESTED PANEL CUTOUT  
 MAX PANEL THICKNESS 1.7



5502276-7/-8/-9/1-0/1-1/  
 1-2/1-3/2-2/2-3/2-5/2-6  
 (WITHOUT TE LOGO)



3-5502276-0/3-5502276-1  
 (WITH TE LOGO)

RETENTION CLIP	CERAMIC	GREEN	3-5502776-1
RETENTION CLIP	CERAMIC	BLUE	3-5502776-0
RETENTION CLIP	CERAMIC	AQUA	2-5502776-6
RETENTION CLIP	METAL	AQUA	2-5502776-5
RETENTION CLIP	CERAMIC	GREEN	2-5502776-3
NONE	CERAMIC	GREEN	2-5502776-2
RETENTION CLIP	METAL	BLACK	1-5502776-3
RETENTION CLIP	CERAMIC	BEIGE	1-5502776-2
RETENTION CLIP	CERAMIC	BLUE	1-5502776-1
RETENTION CLIP	CERAMIC	BLACK	1-5502776-0
RETENTION CLIP	METAL	BEIGE	5502776-9
RETENTION CLIP	METAL	BLUE	5502776-8
RETENTION CLIP	METAL	BLACK	5502776-7
INCLUDED HARDWARE	ALIGNMENT SLEEVE	COLOR	PART NUMBER

1 MATERIAL:  
 HOUSING: PBT-GF30, SEE DASH NUMBERS FOR COLOR.\*  
 RETAINER: PEI-GF30, COLOR: BLACK.\*  
 RETENTION CLIP: STAINLESS STEEL.  
 ALIGNMENT SLEEVE: SEE DASH NUMBERS.  
 PROTECTIVE COVER: TPE, COLOR: BLACK.\*  
 \*UL94 V-0 RATED AT QUALIFYING THICKNESS.

2 BULK PACKAGE.

THIS DRAWING IS A CONTROLLED DOCUMENT.		DWN B. BRIGGS 13MAY2005	<b>COMMSCOPE, INC.</b>	
		CHK S. MILLER 13MAY2005		
DIMENSIONS: mm		APVD S. BUCHTER 13MAY2005	NAME RECEPTACLE ASSEMBLY, DUPLEX, SC TO SC	
TOLERANCES UNLESS OTHERWISE SPECIFIED: 0 PLC ± 1 PLC ±0.1 2 PLC ±0.05 3 PLC ± 4 PLC ± ANGLES ± FINISH		PRODUCT SPEC -	SIZE A200779	
MATERIAL 1		APPLICATION SPEC -	CAGE CODE C-5502776	RESTRICTED TO -
		WEIGHT -	DRAWING NO C-5502776	SCALE 4:1 SHEET 1 OF 1 REV C
		CUSTOMER DRAWING		

## X-ON Electronics

Largest Supplier of Electrical and Electronic Components

*Click to view similar products for [Fibre Optic Connectors](#) category:*

*Click to view products by [TE Connectivity](#) manufacturer:*

Other Similar products are found below :

[0004700001](#) [6100-R](#) [6313](#) [F709034706](#) [F709722200](#) [F709730000](#) [F718183204](#) [F727403500](#) [F727752800](#) [8119](#) [9440F20-27S-190](#) [944-120-6001](#) [9441F10SL-3S](#) [9444W28-21S](#) [9444W36-10S](#) [9446F10SL-4S](#) [9446W20-16S](#) [953-101-5310-P](#) [954-101-57202B](#) [A0270169](#) [12-9122](#) [12-5702](#) [AX101713](#) [AX102420](#) [AX103923](#) [AX104024](#) [AX104193](#) [AX104230](#) [AX104562](#) [AX105203-B25](#) [AX105205-S1](#) [EHSC2M](#) [181-011-126](#) [181-011-S](#) [181-057-126](#) [HRFC-R2\(40\)](#) [NKSOPBUY](#) [20500002116](#) [2064996-1](#) [20800001065](#) [2170](#) [9132](#) [2612](#) [2620](#) [9291](#) [9440F16-10S](#) [9440F20-18S](#) [9446F16-10S-190](#) [953-106-50231](#) [953-120-5003](#)