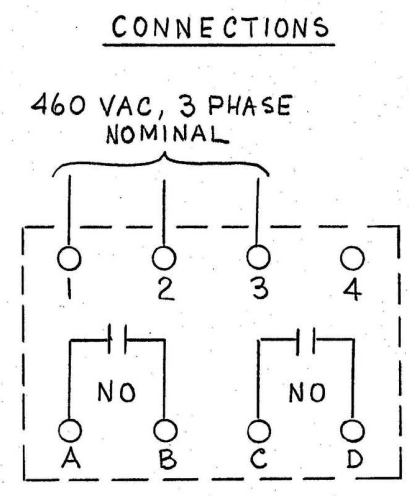
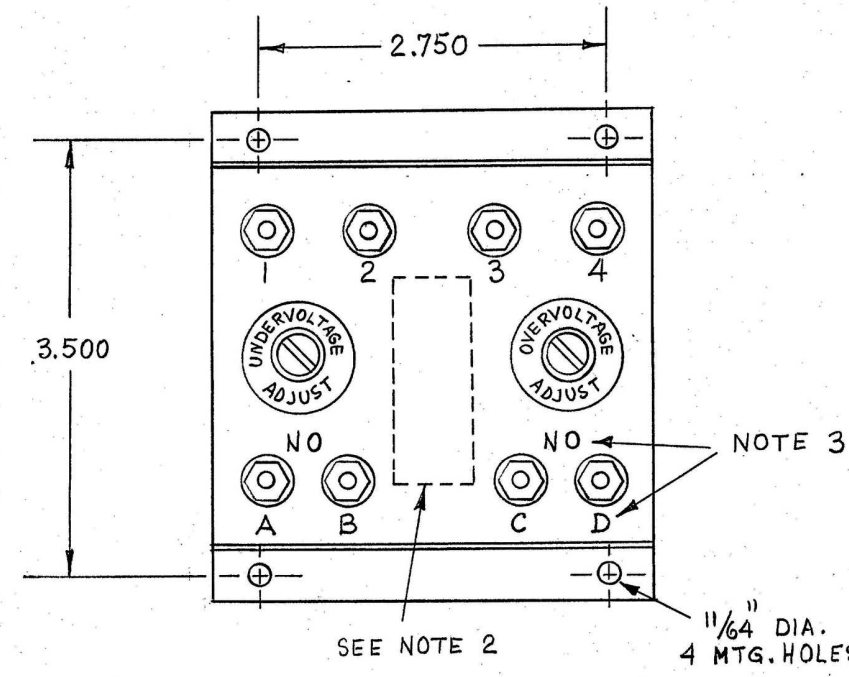
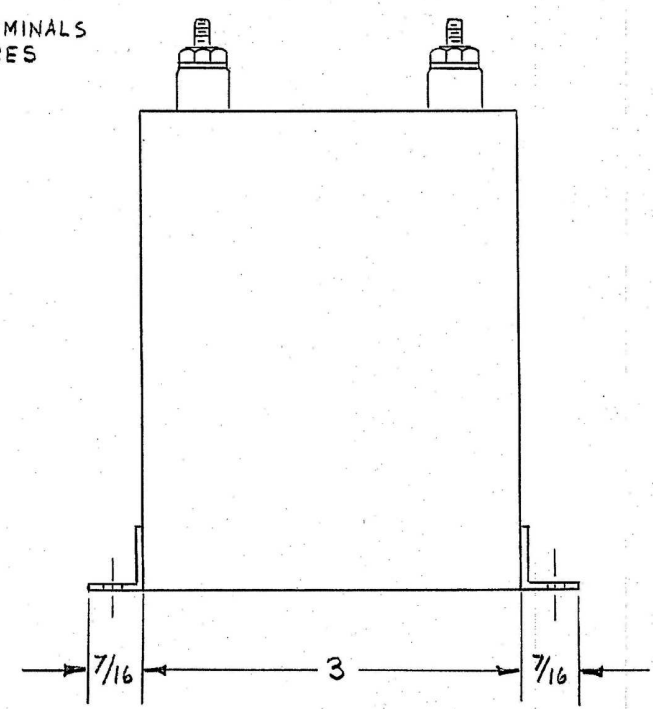
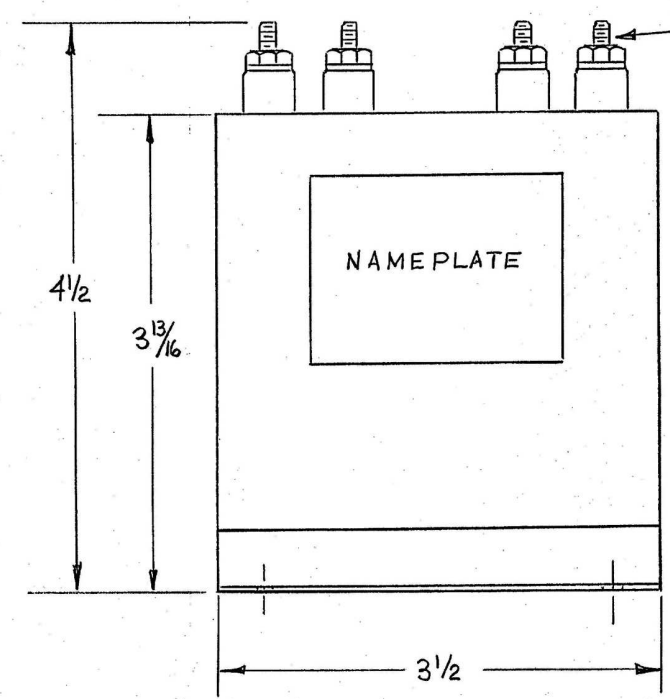


REVISIONS				
ZONE	LTR	DESCRIPTION	DATE	APPROVED
	A	DATE ADDED TO NOTE 2	8/25/78	C.M.



SPECIFICATIONS

NOMINAL VOLTAGE: 460 VOLTS L-L, 3 PHASE
 NOMINAL FREQUENCY: 50 - 400 Hz.
 TRIP POINT RANGE:
 UNDERVOLTAGE: 325 - 460 VOLTS, SCREWDRIVER ADJUSTABLE.
 OVERVOLTAGE: 460 - 575 VOLTS, " "
 PICK-UP TO DROP-OUT DIFFERENTIAL: 3% MAX.
 OPERATING TEMPERATURE: -20°C TO +85°C
 TEMPERATURE DRIFT: ±1% MAXIMUM VOLTAGE ERROR OVER THE TEMPERATURE RANGE.
 OUTPUT CONTACTS: TWO SETS NORMALLY OPEN.
 CONTACT RATING: 5 AMP RESISTIVE AT 120VAC OR 28VDC
 OPERATION: THE CONTACTS ENERGIZE (CLOSE) AT NOMINAL VOLTAGE.
 THE CONTACTS DE-ENERGIZE (OPEN) AT OVERVOLTAGE AND UNDERVOLTAGE.
 CONSTRUCTION: SOLID STATE SENSOR WITH RELAY OUTPUT ENCLOSED IN A SEALED STEEL CAN.



NOTES

- THE VOLTAGE TRIP POINTS ARE FACTORY SET AS FOLLOWS:
 UNDERVOLTAGE: 430 ± 10 VOLTS
 OVERVOLTAGE: 530 ± 10 VOLTS
- "EMD P/N 9333490", DATE AND SERIAL NO. TO BE STAMPED IN AREA SHOWN ON FACE OF RELAY.
- STAMP LETTERS NO, NO, A, B, C & D IN LOCATIONS SHOWN.
- REMOVE SCREWS FOR ACCESS TO UNDERVOLTAGE AND OVERVOLTAGE TRIP ADJUSTMENTS. CLOCKWISE ROTATION OF THE ADJUSTMENT POTENTIOMETER WILL RAISE THE TRIP POINT.
- CONTACTS RESISTANCE IS FACTORY TESTED NOT TO EXCEED 100 mΩ AT 100 mA AND 28 VDC.

CUSTOMER DRAWING
SD- 255-4X Rev. A

QTY REQD.	SYM	DESCRIPTION	CODE IDENT NO.	PART NO.	SPEC	MATERIAL OR NOTE	ITEM NO.
LIST OF MATERIAL							
UNLESS OTHERWISE SPECIFIED DIMENSIONS ARE IN INCHES. TOLERANCES ON FRACTIONS DECIMALS ANGLES ±1/32 ±.010 ±1/2°		CONTRACT NO. DRAWN E.R.H 10-4-77 CHECKED [Signature] 10-4-77		<div style="text-align: center;"> WILMAR ELECTRONICS, INC. 2430 AMSLER STREET TORRANCE, CALIFORNIA 90505 </div>			
MATERIAL		DESIGN APPROVAL		OVER/UNDERVOLTAGE RELAY MODEL 255-4X			
		PROJECT APPROVAL		SIZE C	CODE IDENT NO. 25248	DWG. NO. 21-355	
		DESIGN ACTIVITY APPROVAL		SCALE	WEIGHT	SHEET	
		APPROVAL					

X-ON Electronics

Largest Supplier of Electrical and Electronic Components

Click to view similar products for [Safety Relays](#) category:

Click to view products by [TE Connectivity](#) manufacturer:

Other Similar products are found below :

[7-1618103-5](#) [1351-1X](#) [1618089-2](#) [C200HDA003](#) [C200HMR432](#) [C200HMR832](#) [C200HMR833](#) [20-050-36X](#) [C500OD415CN](#) [2-1618068-0](#)
[25994](#) [9-1618103-2](#) [SP10-ETL01](#) [21-890](#) [3-1618060-0](#) [C200HNC112](#) [C200HOD214](#) [C500CN812N](#) [1100X](#) [1100-42X](#) [1-1618062-0](#) [6-](#)
[1618082-4](#) [7-1618103-6](#) [50.12.9.110.1000](#) [SP16DRD](#) [SP16DRA](#) [XPSAXE5120P](#) [XPSECPE5131P](#) [C500-CE243](#) [607.5111.020](#) [439390016](#)
[607.5111.009](#) [607.5111.010](#) [PSR-MM25-1NO-2DO-24DC-SC](#) [NXSL5500](#) [600PSR-165/300-CU](#) [SR4D4110](#) [J73KN-AM-22](#) [G7SA-3A1B](#)
[DC12](#) [G7SA-4A2B](#) [DC12](#) [G7SA-3A1B](#) [DC48](#) [G7SA-2A2B](#) [DC48](#) [ES-FA-9AA](#) [50.12.9.024.5000](#) [44510-2310](#) [V23047-A1036-A501](#) [44510-](#)
[1081](#) [44510-2021](#) [44510-2232](#) [WUF-12-5060-T](#)