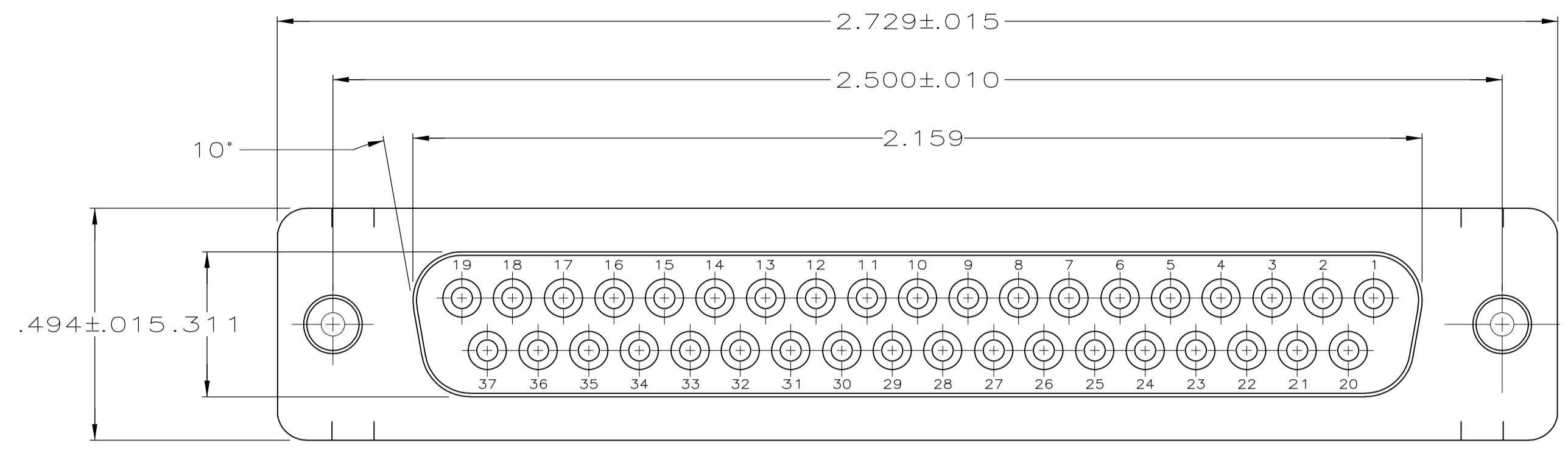
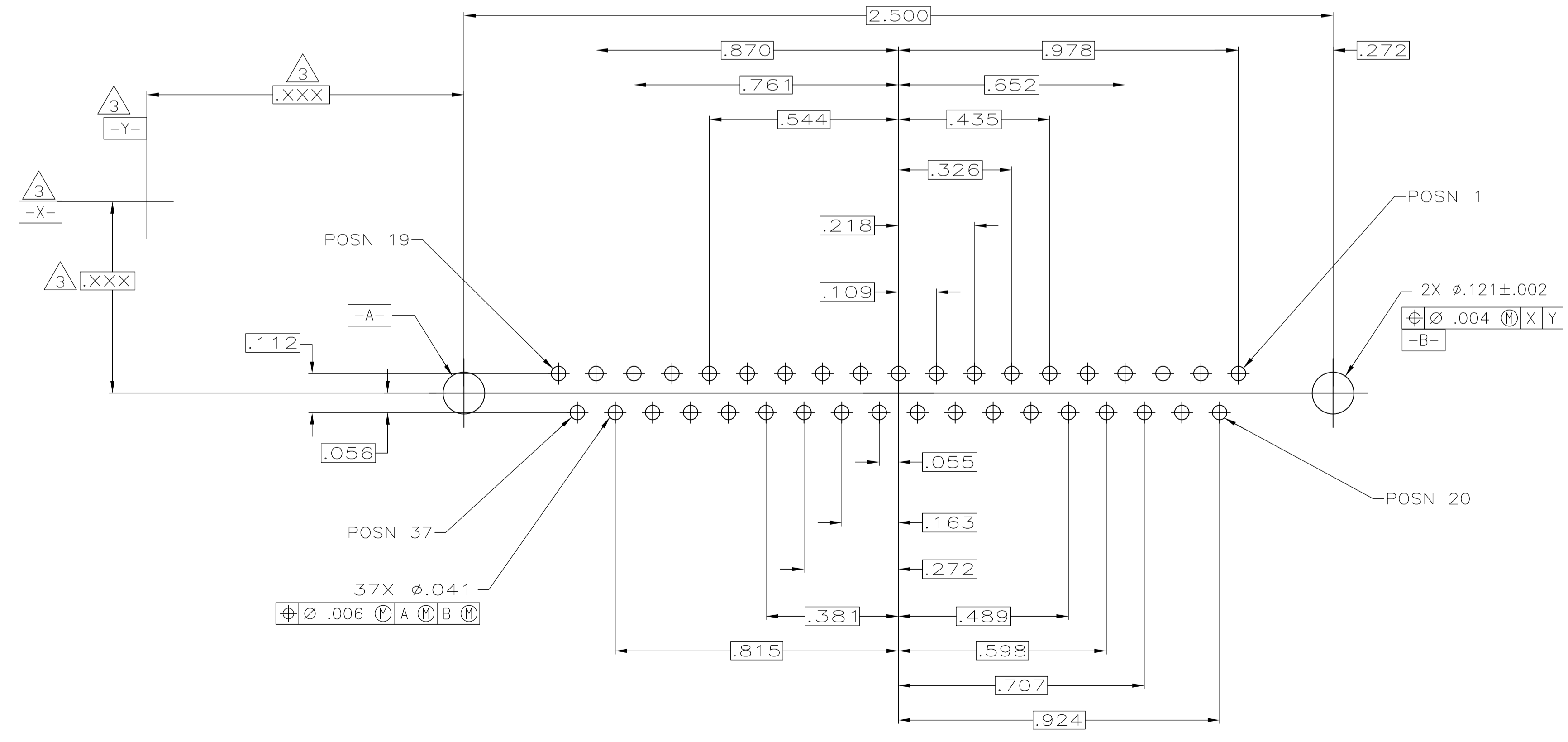
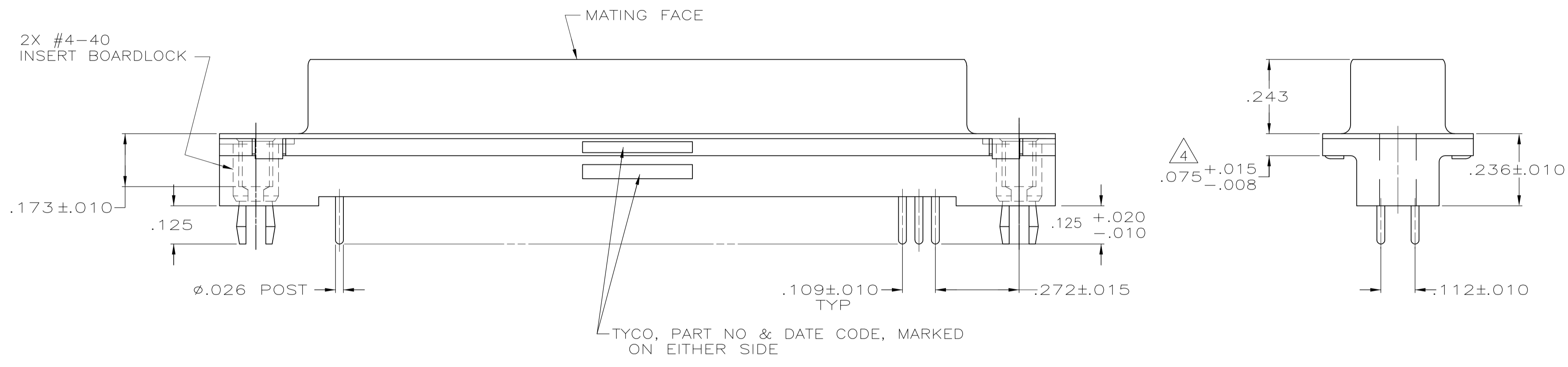


REVISIONS					
P	LTR	DESCRIPTION	DATE	DMN	APVD
B		REVISED PER ECO-16-001548	24FEB2016	AP	DG



- 1 HOUSING: POLYESTER, UL 94V-0 RATED, COLOR BLACK.
SHELL: CARBON STEEL.
CONTACTS: PHOS. BRONZE.
INSERT BOARDLOCKS: BRASS.
- 2 SHELL: .000200 MIN TIN OVER .000100 MIN COPPER.
CONTACTS: .000030 MIN GOLD FOR LENGTH OF .100 MIN FROM MATING END, .000100 MIN TIN ON TERMINATION END, ALL OVER .000050 MIN NICKEL ON ENTIRE CONTACT.
INSERT BOARDLOCKS: .000150 MIN TIN OVER .000100 MIN COPPER.
- 3 DATUMS AND BASIC DIMENSIONS ESTABLISHED BY CUSTOMER.
- 4 .110 MAX IN SHELL TAB CLINCH AREAS.



RECOMMENDED PC BOARD MOUNTING DIMENSIONS

2-5747709-0
PART NO

THIS DRAWING IS A CONTROLLED DOCUMENT.		DIN B LATTUCA 27SEPT05	 TE Connectivity
DIMENSIONS: INCHES		CHK S BOLASH 27SEPT05	
TOLERANCES UNLESS OTHERWISE SPECIFIED:		APPD M WALMSLEY 27SEPT05	NAME
0 PLC ± -			RECEPTACLE ASSEMBLY, SIZE 4, 37 POS., VERTICAL, .026 DIA. POSTS, FRONT SHELL RETENTION INSERTS, AMPLIMITE HD-20
1 PLC ± -			PRODUCT SPEC
2 PLC ± -			108-40025
3 PLC ± .005			APPLICATION SPEC
4 PLC ANGLES ± -			114-40023
MATERIAL	FINISH	WEIGHT	SIZE
1	2	A1 00779	C=5747709
CUSTOMER DRAWING		SCALE 4:1	SHEET 1 OF 1 REV B

X-ON Electronics

Largest Supplier of Electrical and Electronic Components

Click to view similar products for [D-Sub Standard Connectors](#) category:

Click to view products by [TE Connectivity](#) manufacturer:

Other Similar products are found below :

[56F711-015](#) [012-9507-004](#) [LV242999-142T12](#) [015-0341-000](#) [015-0372-005](#) [015-0372-008](#) [015-8755-001](#) [020419-0104](#) [012-0467-000](#) [012-0515-000](#) [012-9507-034](#) [012-9507-114](#) [020745-0008](#) [609-25P](#) [M24308/2-23Z](#) [CT2-14S-2PCA34](#) [CT2-18-11PCAU](#) [CT2-36-15SC](#) [CT6-14S-2SC](#) [CT6E14SA7SC](#) [CT6E22-14PC](#) [CT6E22-14PS](#) [CT6E22-22PS](#) [M83513/01-FC](#) [M85049/48-3-2F](#) [6STD09PCM99B70X](#) [6STD09SCM99B30X](#) [6STD09SCT99S40X](#) [6STD15PCT99S40X](#) [6STD15SCM99B30X](#) [6STD15SCT99S40X](#) [6STF09PCM05B70X](#) [7-135760-9](#) [MC11E-10-6SN](#) [747552-3](#) [MD1-21PS](#) [MDM-15SCBRM7-F222](#) [MDM96517-699](#) [MDM96521-744](#) [MDVB1-21SL1](#) [MIK0-1-7SH003](#) [MIKQ6-7SH076](#) [MIKQ7-7PH077](#) [MIKQ7-7PH11](#) [MIKQ7-7PH32](#) [MJSV-28SL61](#) [MKJ4A1F14-55S](#) [8-135760-3](#) [8STD09PCM99B30X](#) [PG-KV/PV-16-GROM-SEALING](#)