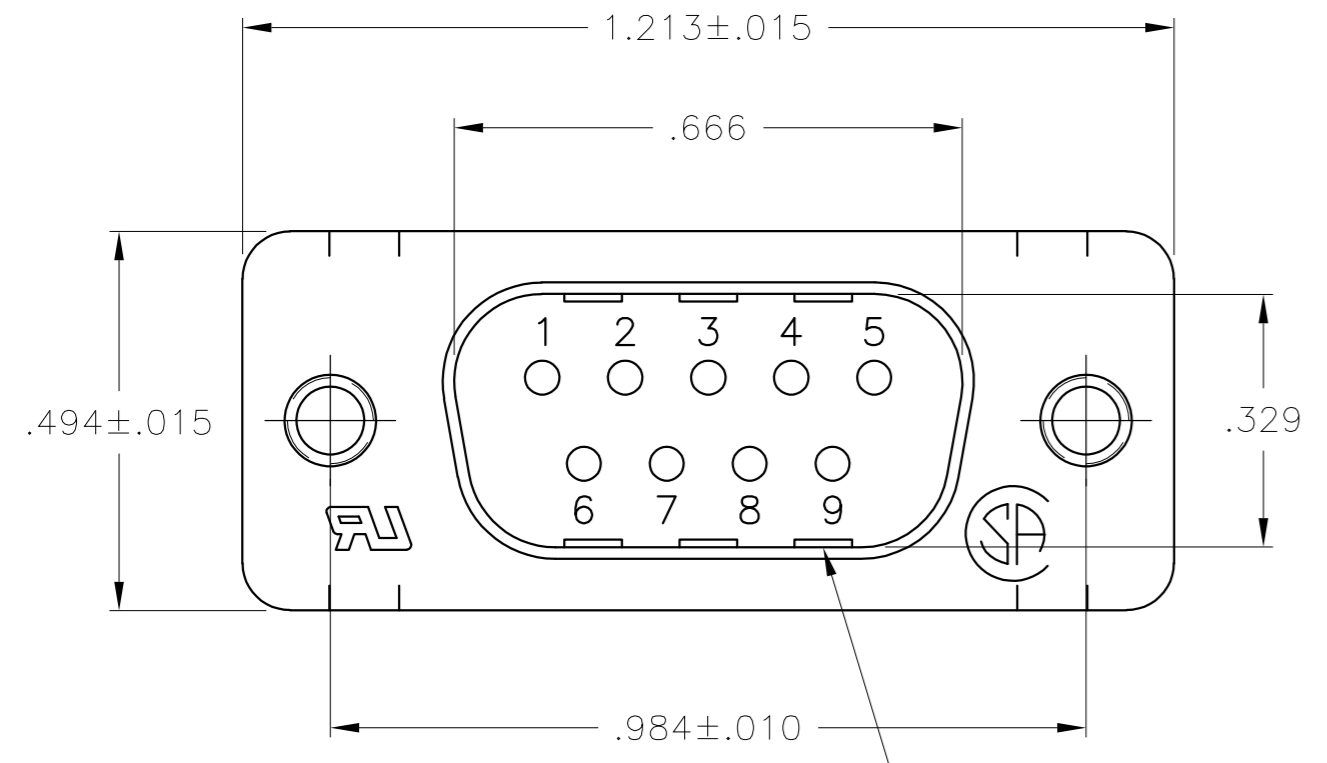


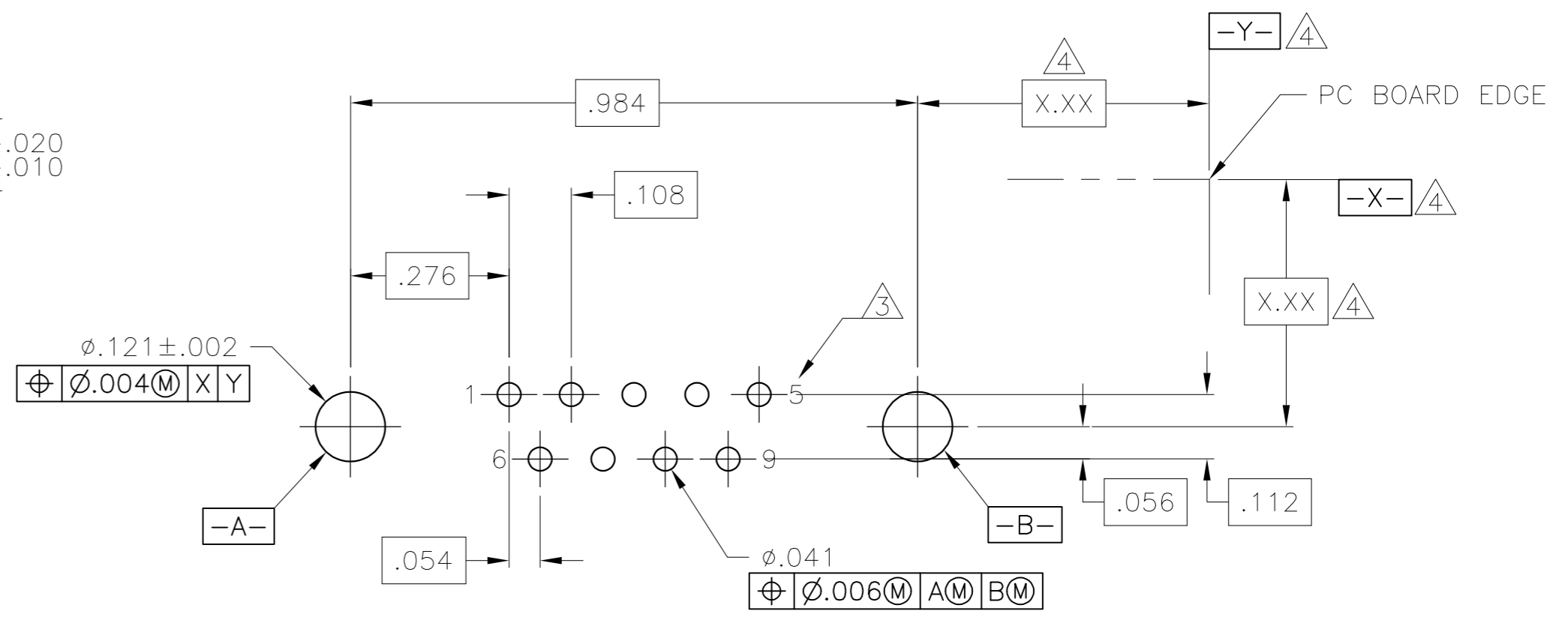
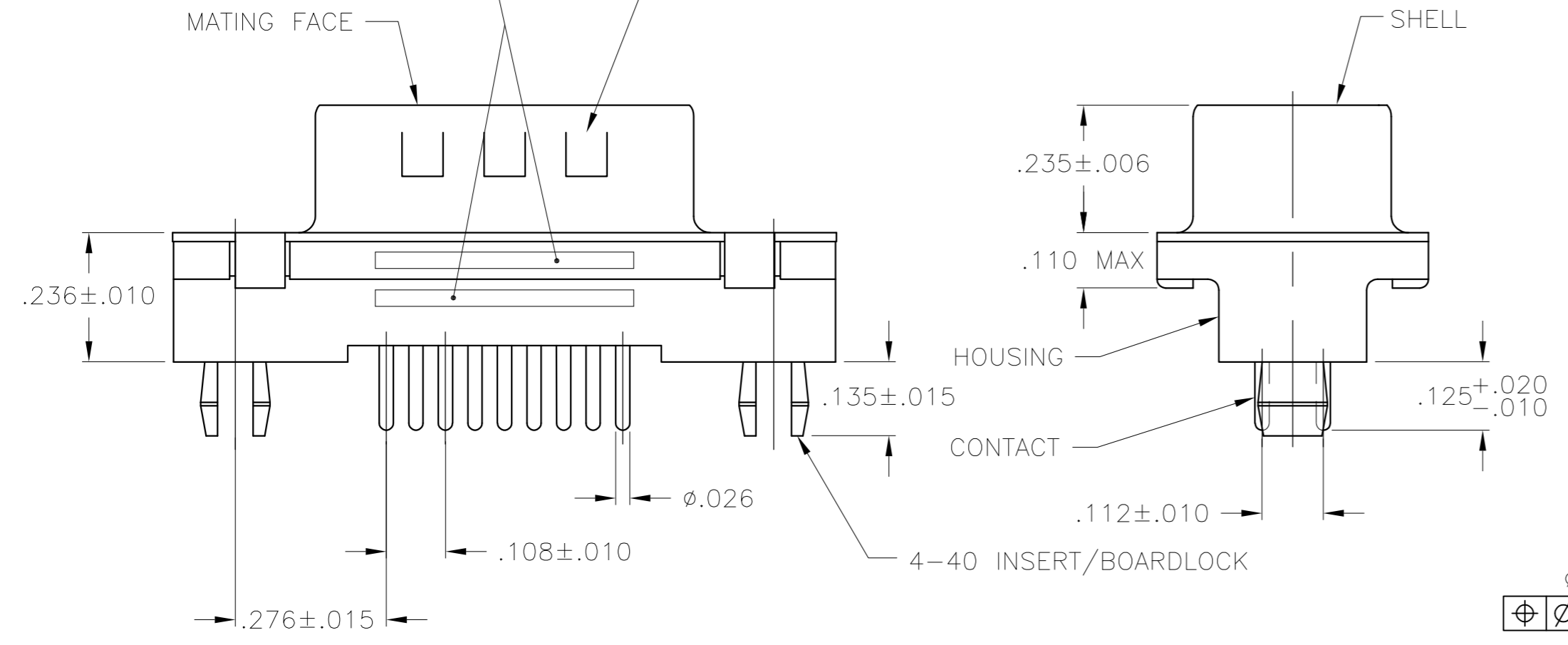
THIS DRAWING IS UNPUBLISHED. RELEASED FOR PUBLICATION  
 © COPYRIGHT - By - ALL RIGHTS RESERVED.

LOC		DIST		REVISIONS			
P	LTR	DESCRIPTION		DATE	DWN	APVD	
GP	00	B1	REVISED PER ECO-11-004835		11MAR11	RK	HMR



- ① HOUSING: FLAME RETARDANT THERMOPLASTIC, 94V-0 RATED, COLOR BLACK.  
SHELL: CARBON STEEL.  
CONTACTS: BRASS.  
INSERT/BOARDLOCKS: BRASS.
- ② SHELL: 0.00508[.000200] MIN TIN OVER 0.00254[.000100] MIN COPPER.  
CONTACTS: 0.00076 [0.000030] MIN GOLD ON MATING END,  
0.00254 [0.000100] MIN TIN ON SOLDER END, ALL OVER 0.00127  
[0.000050] MIN NICKEL ON ENTIRE CONTACT.  
-OR-  
GOLD FLASH OVER 0.00076 [0.000030] MIN PALLADIUM NICKEL ON  
MATING END, 0.00254 [0.000100] MIN TIN ON SOLDER END, ALL  
OVER 0.00127 [0.000050] MIN NICKEL ON ENTIRE CONTACT.  
INSERT/BOARDLOCKS: 0.00381[.000150] MIN TIN OVER 0.00254[.000100] MIN  
COPPER.
- ③ POSITION NUMBERS SHOWN FOR REFERENCE ONLY.
- ④ DATUMS AND BASIC DIMENSIONS TO BE ESTABLISHED BY CUSTOMER.
- 5. RECOMMENDED SCREWLOCK FOR #4-40 INSERT/BOARDLOCK IS 5747877-3.

TYCO, PART NUMBER & DATE CODE MARKED IN AREAS INDICATED, ON EITHER SIDE



RECOMMENDED PC BOARD LAYOUT  
 .062 PC BOARD  
 (VIEWED FROM CONNECTOR SIDE)

2-5748003-0  
 PART NUMBER

**COPYRIGHT 2005  
 TE CONNECTIVITY CORP  
 ALL RIGHTS RESERVED**

THIS DRAWING IS A CONTROLLED DOCUMENT.		DWN	J.GERACE	23MAR05	 TE Connectivity	NAME		PLUG ASSEMBLY, SIZE 1, 9 POS, VERTICAL, FRONT METAL SHELL, AMPLIMITE HD-20					
DIMENSIONS: INCHES		CHK	S.BOLASH	23MAR05		PRODUCT SPEC		108-40025	SIZE	A2			
TOLERANCES UNLESS OTHERWISE SPECIFIED:		APVD	M.WALMSLEY	23MAR05		APPLICATION SPEC		114-40023	CAGE CODE	00779			
0 PLC ± - 1 PLC ± - 2 PLC ± - 3 PLC ± 0.13[.005] 4 PLC ± - ANGLES ± - FINISH		MATERIAL		WEIGHT		DRAWING NO		C=5748003		RESTRICTED TO			
		①		②		CUSTOMER DRAWING		SCALE	4:1	SHEET	1 of 1	REV	B1

## X-ON Electronics

Largest Supplier of Electrical and Electronic Components

*Click to view similar products for [D-Sub Standard Connectors](#) category:*

*Click to view products by [TE Connectivity](#) manufacturer:*

Other Similar products are found below :

[56F711-015](#) [012-9507-004](#) [LV242999-142T12](#) [015-0341-000](#) [015-0372-005](#) [015-0372-008](#) [015-8755-001](#) [020419-0104](#) [012-0467-000](#) [012-0515-000](#) [012-9507-034](#) [012-9507-114](#) [020745-0008](#) [609-25P](#) [M24308/2-23Z](#) [CT2-14S-2PCA34](#) [CT2-18-11PCAU](#) [CT2-36-15SC](#) [CT6-14S-2SC](#) [CT6E14SA7SC](#) [CT6E22-14PC](#) [CT6E22-14PS](#) [CT6E22-22PS](#) [M83513/01-FC](#) [M85049/48-3-2F](#) [6STD09PCM99B70X](#) [6STD09SCM99B30X](#) [6STD09SCT99S40X](#) [6STD15PCT99S40X](#) [6STD15SCM99B30X](#) [6STD15SCT99S40X](#) [6STF09PCM05B70X](#) [7-135760-9](#) [MC11E-10-6SN](#) [747552-3](#) [MD1-21PS](#) [MDM-15SCBRM7-F222](#) [MDM96517-699](#) [MDM96521-744](#) [MDVB1-21SL1](#) [MIK0-1-7SH003](#) [MIKQ6-7SH076](#) [MIKQ7-7PH077](#) [MIKQ7-7PH11](#) [MIKQ7-7PH32](#) [MJSV-28SL61](#) [MKJ4A1F14-55S](#) [8-135760-3](#) [8STD09PCM99B30X](#) [PG-KV/PV-16-GROM-SEALING](#)