

THIS DRAWING IS UNPUBLISHED.

RELEASED FOR PUBLICATION

20

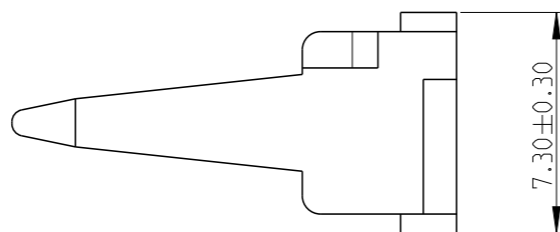
© COPYRIGHT 2020

TE Connectivity. All Rights Reserved.

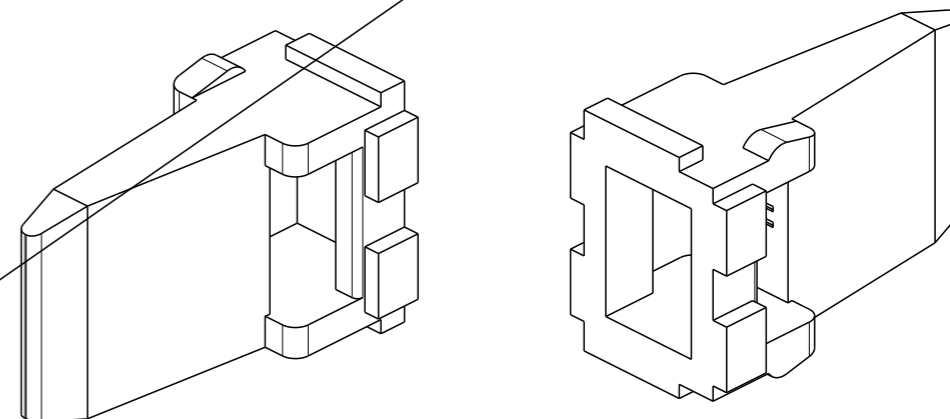
ALL RIGHTS RESERVED.

REVISIONS

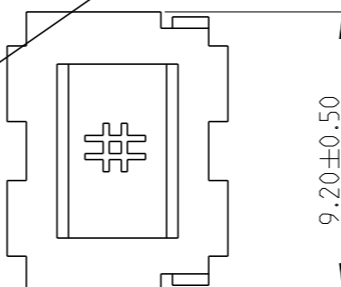
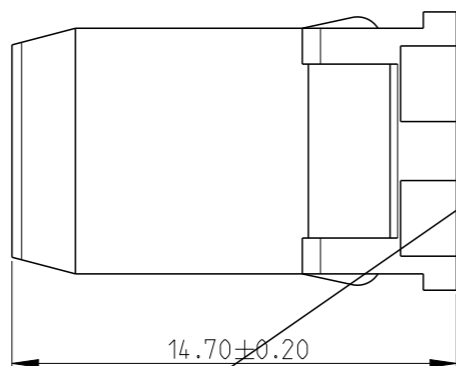
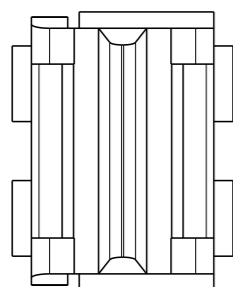
P	LTR	DESCRIPTION	DATE	DWN	APVD
	A	INITIAL RELEASE	19 JUN 2020	J.G	I.Y
	A1	ECR-20-010349	26 JUL 2020	J.G	I.Y
	A2	ECN-22-139062	15 FEB 2022	J.G	Z.Z



PN 2600032-1
NO KEY
COLOUR GREEN



OBSOLETE



- 1. MATERIAL: NYLON GF30, DESCRIPTION AND COLOUR SEE TABLE
- 2. THIS PRODUCT IS USED FOR 4CCT RECEPTACLE, PN X-2600030-X

2600032-5	934473047	4CCT RECEPTACLE WEDGELOCK KEY D	BROWN
2600032-4	934473033	4CCT RECEPTACLE WEDGELOCK KEY C	GREEN
2600032-3	934473021	4CCT RECEPTACLE WEDGELOCK KEY B	BLACK
2600032-2	934473012	4CCT RECEPTACLE WEDGELOCK KEY A	GREY
2600032-1	934473003	4CCT RECEPTACLE WEDGELOCK NO KEY	GREEN
TE PN	ALIAS PN	DESCRIPTION	COLOUR

THIS DRAWING IS A CONTROLLED DOCUMENT.

DWN J.GU 26 JUL 2020

CHK E. JIANG 26 JUL 2020

APVD I.YIN 26 JUL 2020

PRODUCT SPEC 108-160026

APPLICATION SPEC 114-160017

WEIGHT -



NAME 4CCT DT-XT RECEPTACLE WEDGELOCK

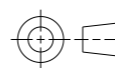
SIZE	CAGE CODE	DRAWING NO	RESTRICTED TO
------	-----------	------------	---------------

A3	00779	©-2600032	-
----	-------	-----------	---

CUSTOMER DRAWING; RESTRICTED CUSTOMER	SCALE 4:1	SHEET 1 OF 2	REV A2
---------------------------------------	-----------	--------------	--------

DIMENSIONS:

mm



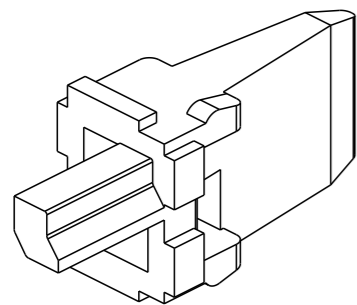
TOLERANCES UNLESS OTHERWISE SPECIFIED:

- 0 PLC ±
- 1 PLC ±
- 2 PLC ±
- 3 PLC ±
- 4 PLC ±
- ANGLES ±

MATERIAL NOTE 1

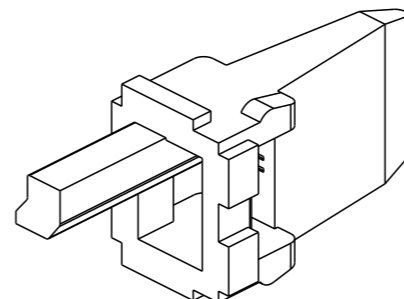
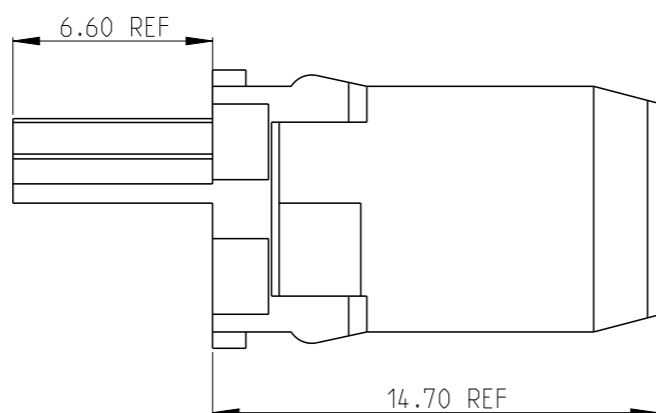
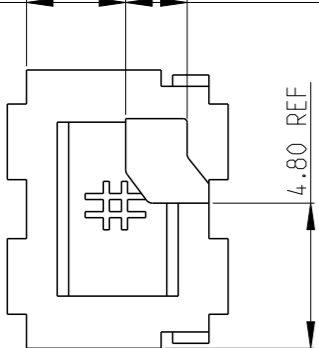
FINISH -

P	LTR	DESCRIPTION	DATE	DWN	APVD
		SEE SHEET 1			



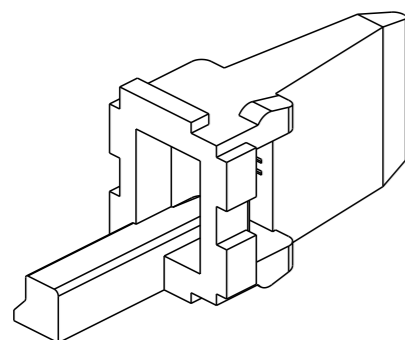
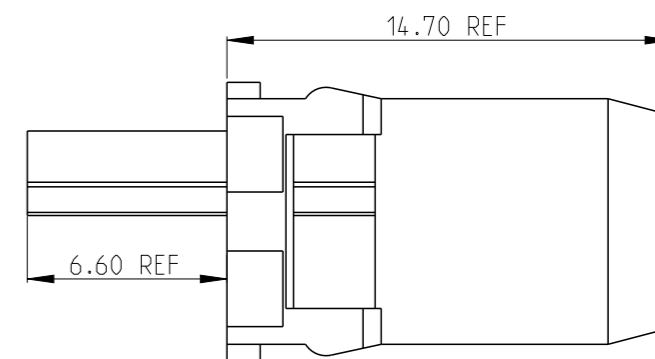
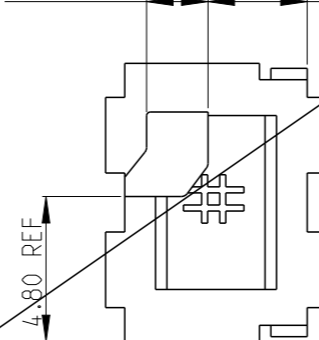
PN 2600032-2
KEY A
COLOUR GREY

3.28 REF 2.03 REF

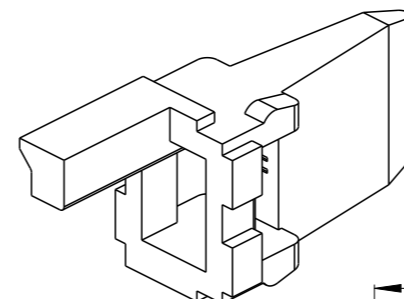
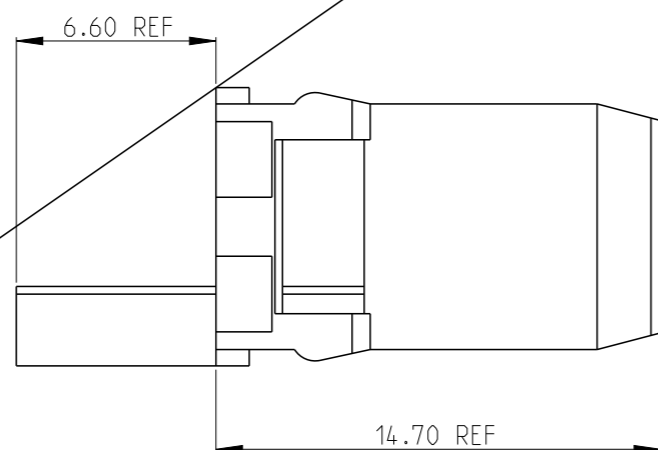
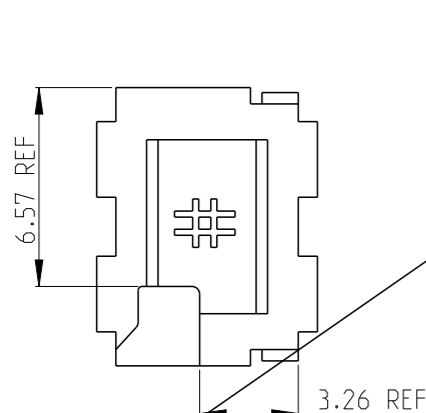


PN 2600032-3
KEY B
COLOUR BLACK

2.03 REF 3.28 REF

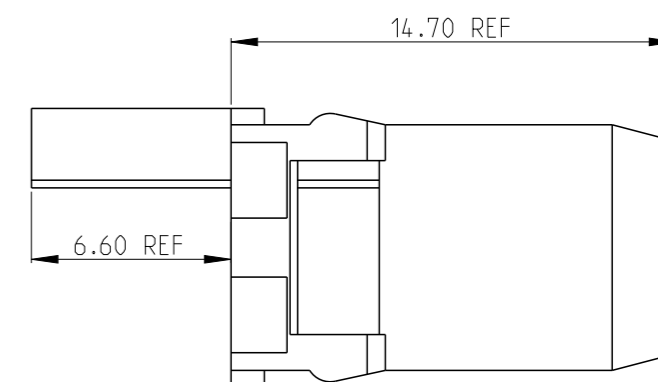
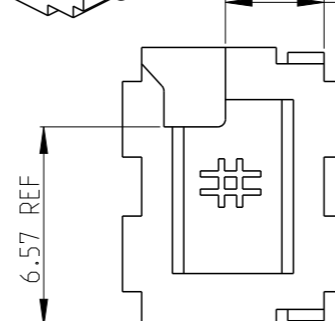


PN 2600032-4
KEY C
COLOUR GREEN



PN 2600032-5
KEY D
COLOUR BROWN

3.26 REF



OBSOLETE

THIS DRAWING IS A CONTROLLED DOCUMENT.

DWN	J.GU	26JUL2020
CHK	E. JIANG	26JUL2020
APVD	L.YIN	26JUL2020



DIMENSIONS: mm	TOLERANCES UNLESS OTHERWISE SPECIFIED:
	0 PLC ±
	1 PLC ±
	2 PLC ±
	3 PLC ±
	4 PLC ±
	ANGLES ±
MATERIAL	FINISH
-	-

PRODUCT SPEC	108-160026
APPLICATION SPEC	114-160017
WEIGHT	-

NAME 4CCT DT-XT RECEPTACLE WEDGELOCK			
SIZE	CAGE CODE	DRAWING NO	RESTRICTED TO
A3	00779	C=2600032	-
CUSTOMER DRAWING;RESTRICTED CUSTOMER		SCALE	SHEET
		4:1	2 OF 2
			REV A2

X-ON Electronics

Largest Supplier of Electrical and Electronic Components

Click to view similar products for [Automotive Connectors](#) category:

Click to view products by [TE Connectivity](#) manufacturer:

Other Similar products are found below :

[003-018-000](#) [60993906-B](#) [72.330.1035.1](#) [776880-1](#) [827153-1](#) [9-1326729-8](#) [9-221607-5](#) [925474-1](#) [928905-1](#) [964562-4](#) [968782-1](#) [98891-1012](#) [12004468](#) [12004475-L](#) [12004483](#) [12052466](#) [12066163](#) [12015909](#) [12077753](#) [1-21030-1](#) [12047957](#) [12047958](#) [12084688](#) [12185550](#) [12336-12](#) [1-326211-1](#) [13681974](#) [13688972](#) [13755420](#) [13779834](#) [13783086](#) [13843152](#) [13522378](#) [13581967](#) [13669624](#) [13675513](#) [13753471](#) [13946876](#) [13953457](#) [13955963](#) [13964573](#) [13971791](#) [13790534-L](#) [13797473](#) [13805590](#) [13888202](#) [1428188-1](#) [1437287-3](#) [1428188-2](#) [DS07-19S-5020](#)