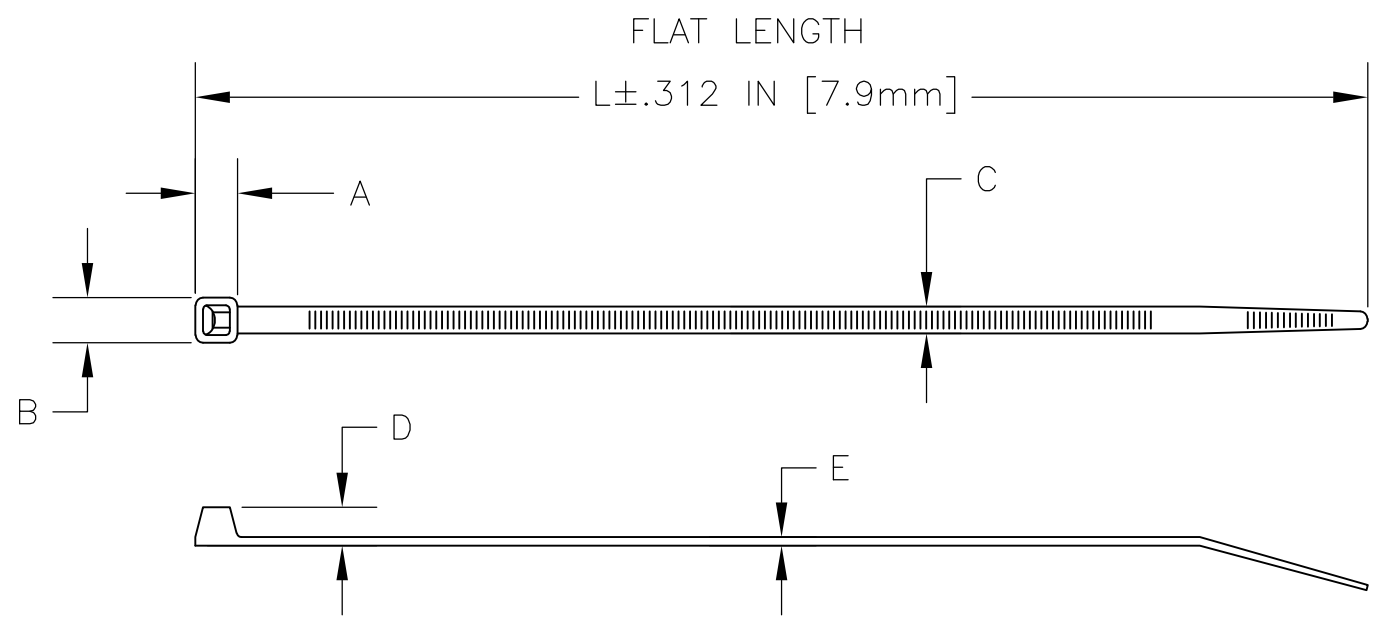


THIS DRAWING IS UNPUBLISHED. RELEASED FOR PUBLICATION
 © COPYRIGHT BY TYCO ELECTRONICS CORPORATION. ALL RIGHTS RESERVED.

LOC	DIST	REVISIONS					
CM	00	P	LTR	DESCRIPTION	DATE	DWN	APVD
		J2		REV PER ECR 10-010357	13MAY10	JR	TM

- 1 PACKAGED IN HEAT SEALED 3 MIL PLOYBAG
- 2 MIL NO. MS3367-5
- 3 OBSOLETE PARTS, OBSOLETE CIS STREAMLINING PER D.RENAUD / D.SINISI

UNIT OF MEASURE	A	B	C	D	E	L	MAX BUNDLE DIAMETER	MIN TENSILE STRENGTH
INCHES	.232	.236	.142	.169	.043	5.83	1.25	30 LBS
MM	5.9	6.0	3.6	4.28	1.1	148	31.75	13.608 KG



1000	NATURAL	2-603227-9
1000	BLACK	2-603227-0
100	NATURAL	1-603227-9
100	BLACK	1-603227-0
3	OBSOLETE	1 NATURAL 603227-2
3	OBSOLETE	1 BLACK 603227-1
QTY/BAG	COLOR	PART NO

THIS DRAWING IS A CONTROLLED DOCUMENT.		DWN jr_ruth 13MAY10	Tyco Electronics Corporation Harrisburg, PA 17105-3608	
DIMENSIONS: MM [INCHES]	TOLERANCES UNLESS OTHERWISE SPECIFIED:	CHK T MICHELUTTI 13MAY10	NAME CABLE TIE, 6 INCH	
	0 PLC ± - 1 PLC ± - 2 PLC ± .03 [0.8] 3 PLC ± - 4 PLC ± - ANGLES ± -	APVD T MICHELUTTI 13MAY10	PRODUCT SPEC -	
MATERIAL NYLON 6/6	FINISH -	APPLICATION SPEC -	SIZE A3	CAGE CODE 00779
		WEIGHT -	DRAWING NO G-603227	RESTRICTED TO -
CUSTOMER DRAWING			SCALE 1:1	SHEET 1 OF 1
			REV J2	

X-ON Electronics

Largest Supplier of Electrical and Electronic Components

Click to view similar products for [Cable Ties](#) category:

Click to view products by [TE Connectivity](#) manufacturer:

Other Similar products are found below :

[65034-C](#) [65037-C](#) [770-1751-10](#) [REL50L0C2](#) [20093-0](#) [SF600-120X](#) [SJ3518FR-1x50](#) [SJ3526N-Beige-2"x50yd](#) [SJ3526N BLACK 58" X 50YD](#) [SJ3571](#) [SJ-3571-1"x50yd-Black](#) [PLT2S-C4](#) [34-455-C](#) [3722](#) [561-B110120](#) [561-N3510](#) [TYZ528M](#) [34-463-C](#) [URT20S-M](#) [06226](#) [08350-0](#) [08600-0](#) [08376-0](#) [10325-0](#) [10362-0](#) [10606-0](#) [561-EZ250](#) [561-EZ625](#) [SJ3527N-Beige-2"x50yd](#) [SJ3527N-LOOP-BLACK-1](#) [SJ3572-2"x50yd-Black](#) [CF5625-000](#) [65004-C](#) [65005-C](#) [65007-C](#) [65036-C](#) [157-00039](#) [770-1708](#) [770-1753-10](#) [770-1752](#) [SPNY-041-9](#) [SF400-120X](#) [3719](#) [08582-0](#) [08386-0](#) [10431-0](#) [08359-0](#) [10620-0](#) [10345-0](#) [08416-0](#)