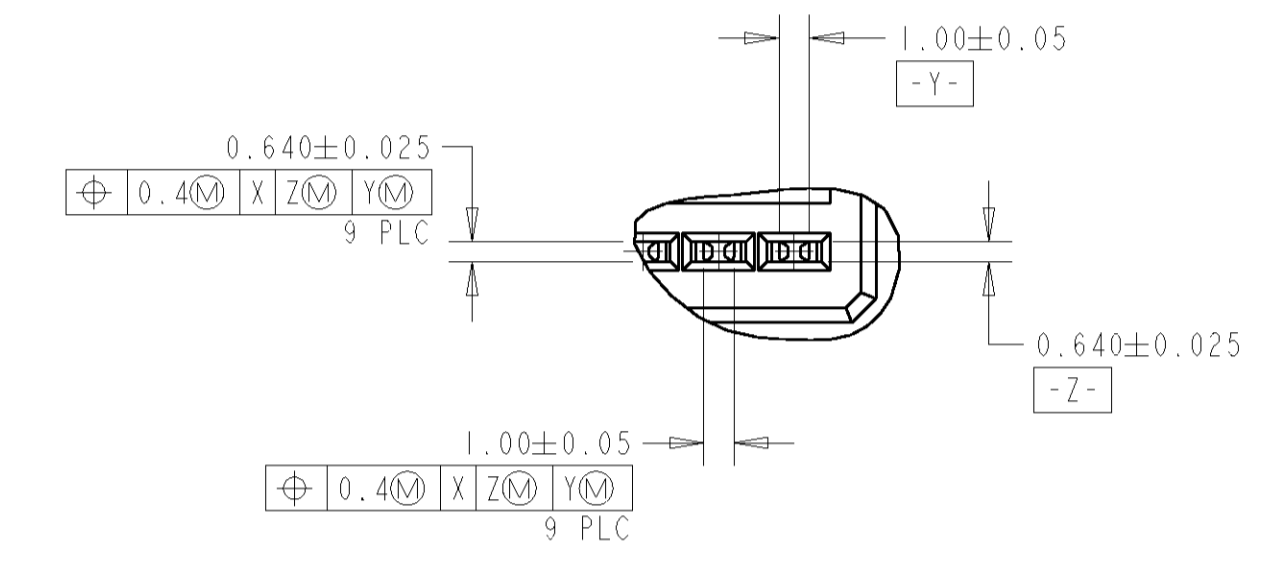
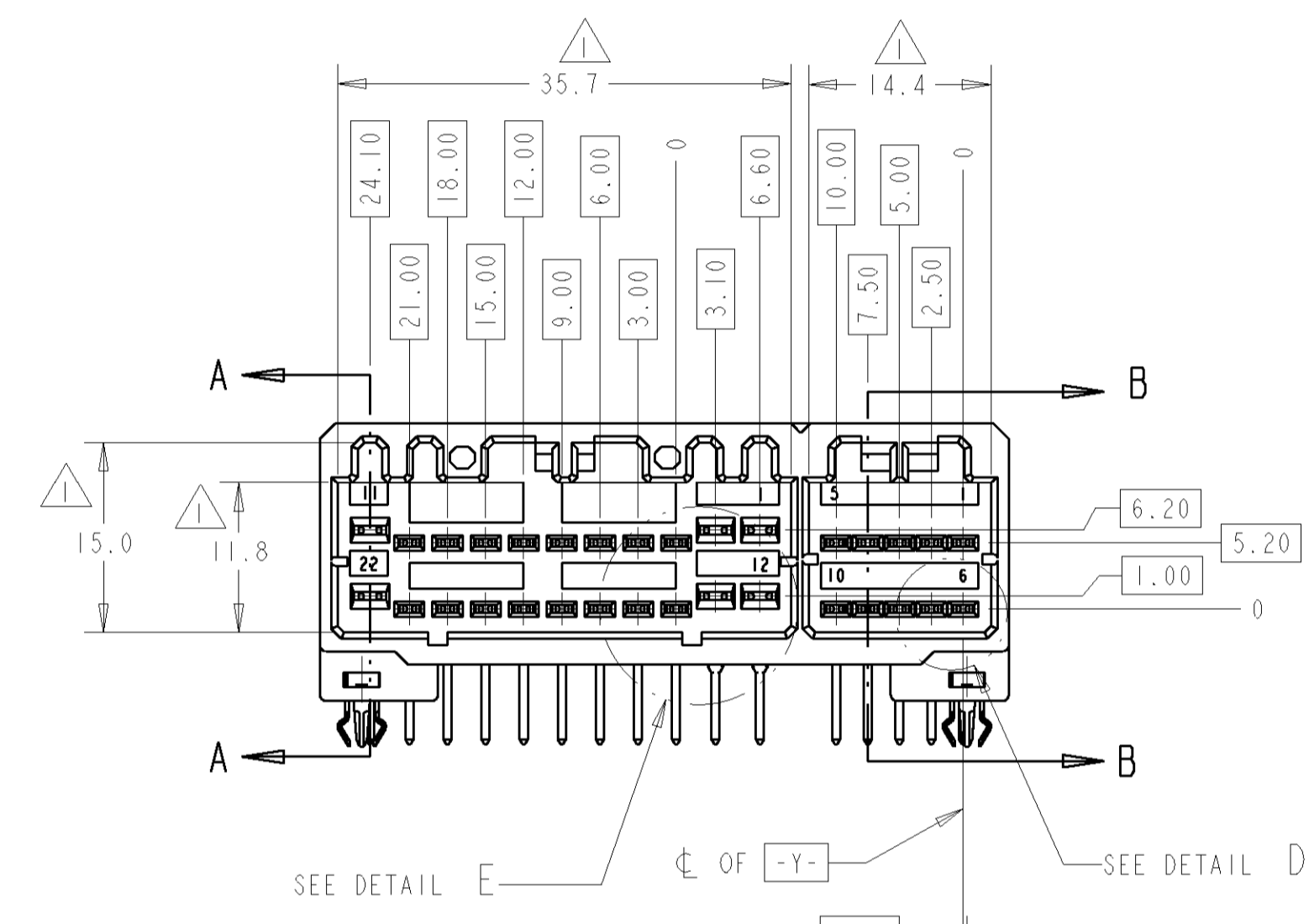
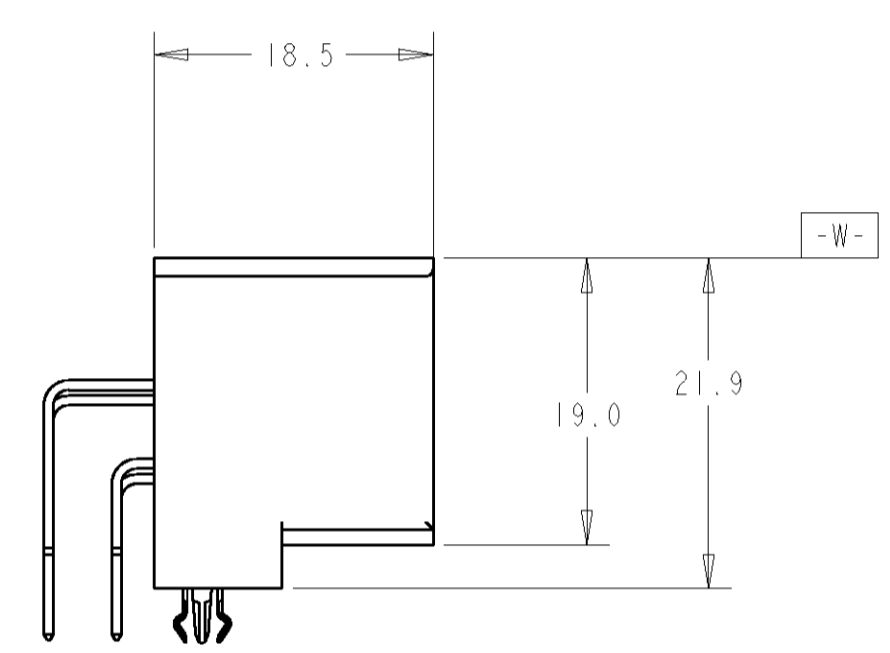
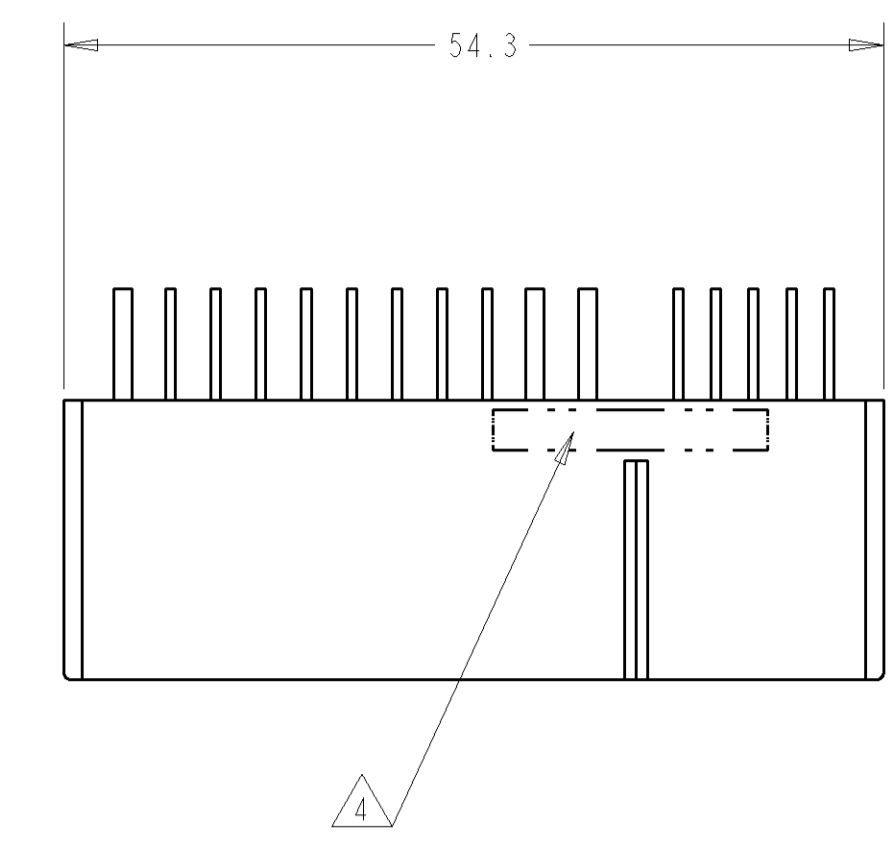
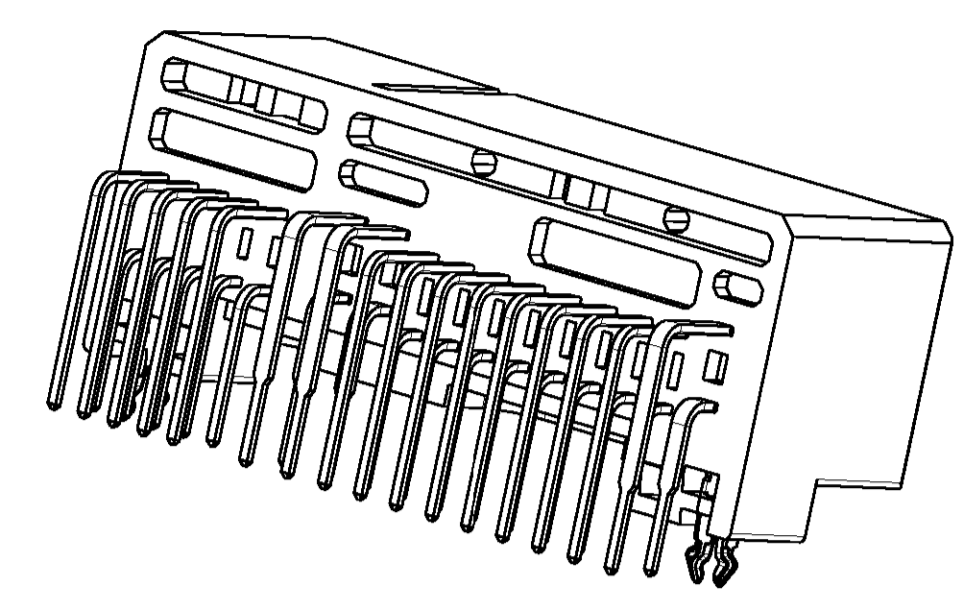
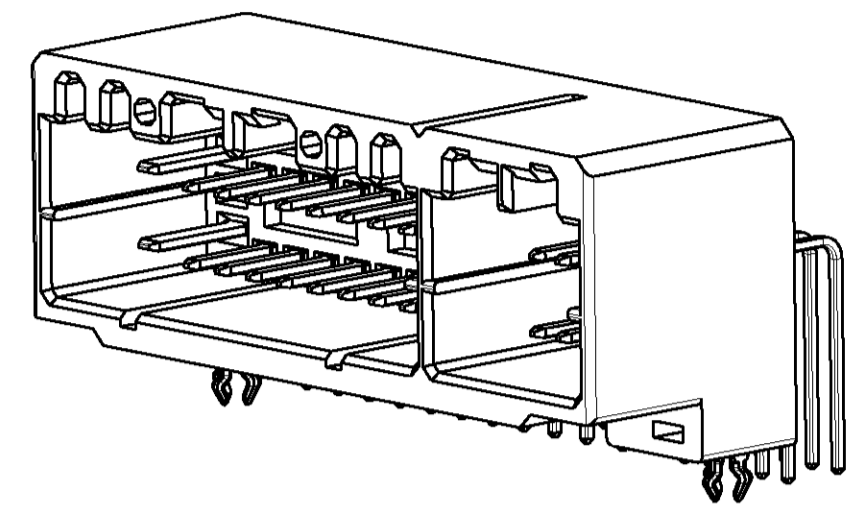
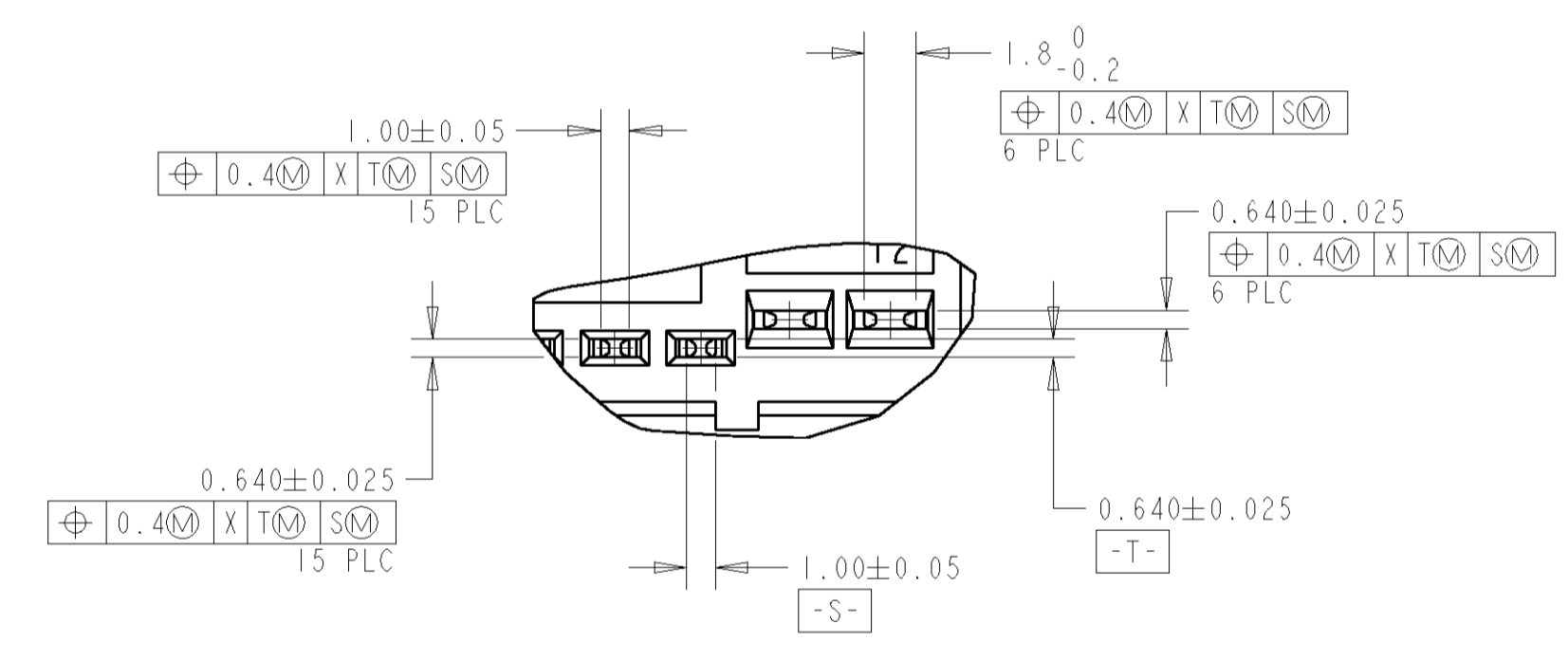


LOC	DIST	REVISIONS			
F	LTR	DESCRIPTION	DATE	DWN	APPD
0		RELEASED PER EC 0K80-0020-00	17FEB00	JRB	RAS
A		REVISED PER EC 0K80-0109-00	26APR2000	JRB	RAS
A1		REVISED PER EC 0K80-0171-04	12MAR2004	DLD	RMC

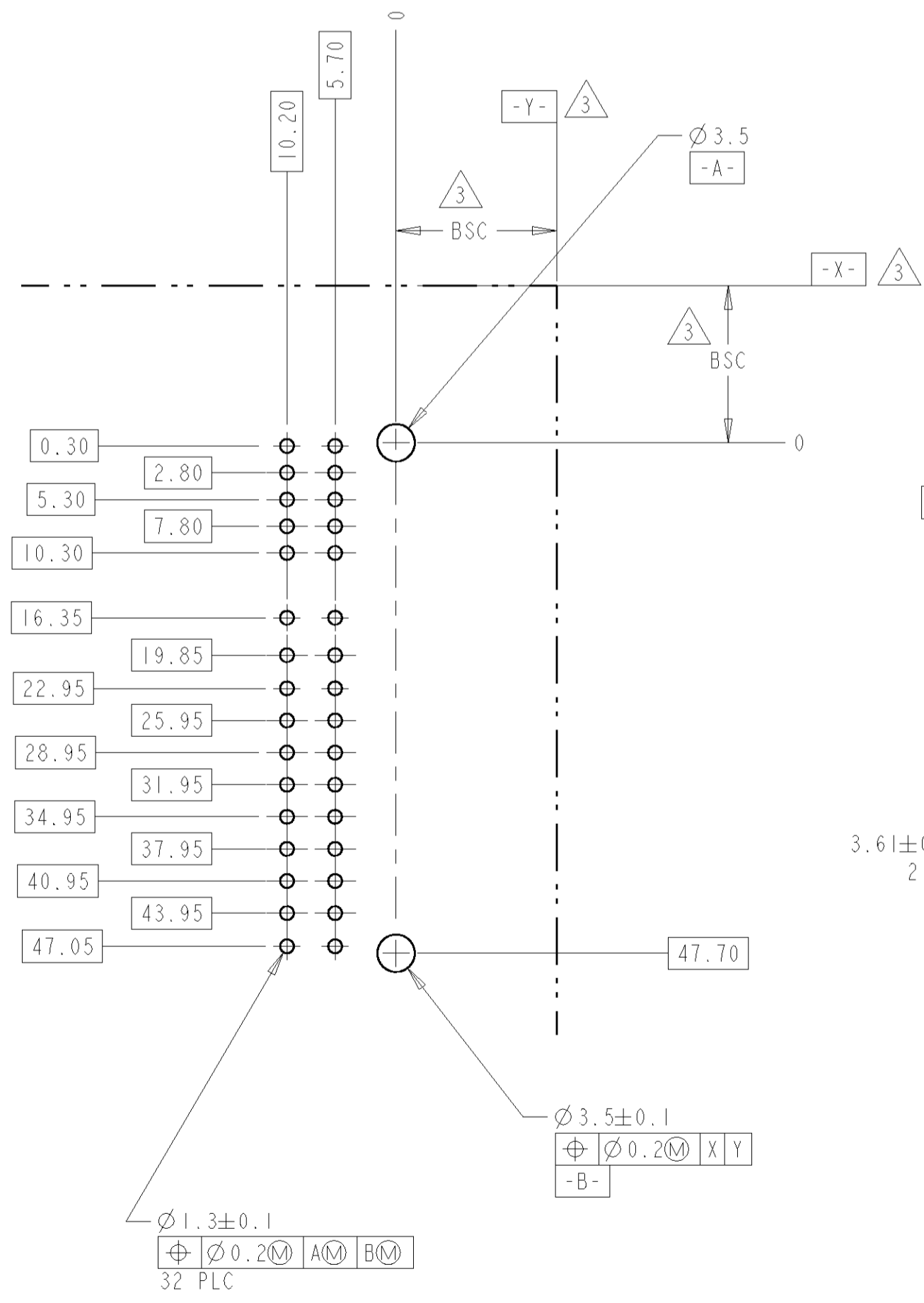
- △ DIMENSION MUST BE HELD BETWEEN $-X-$ AND 2.0mm FROM $-X-$
- 2. MATING PLUGS: 22 POS 917989-1 THRU -6
10 POS 638207-6
- △ DATUMS AND BASIC DIMENSIONS ESTABLISHED BY CUSTOMER.
- △ DATE CODE



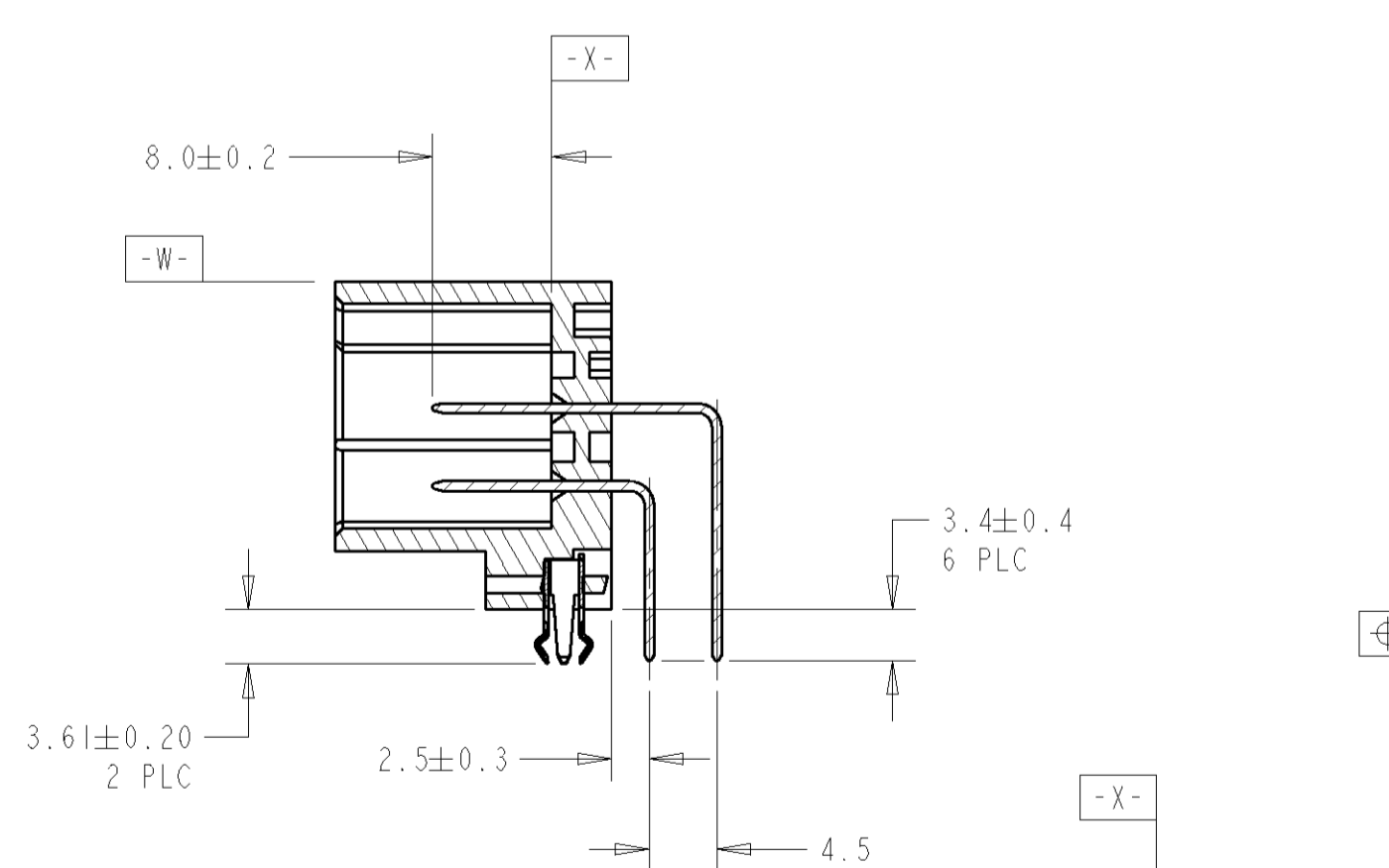
DETAIL D
SCALE 4:1



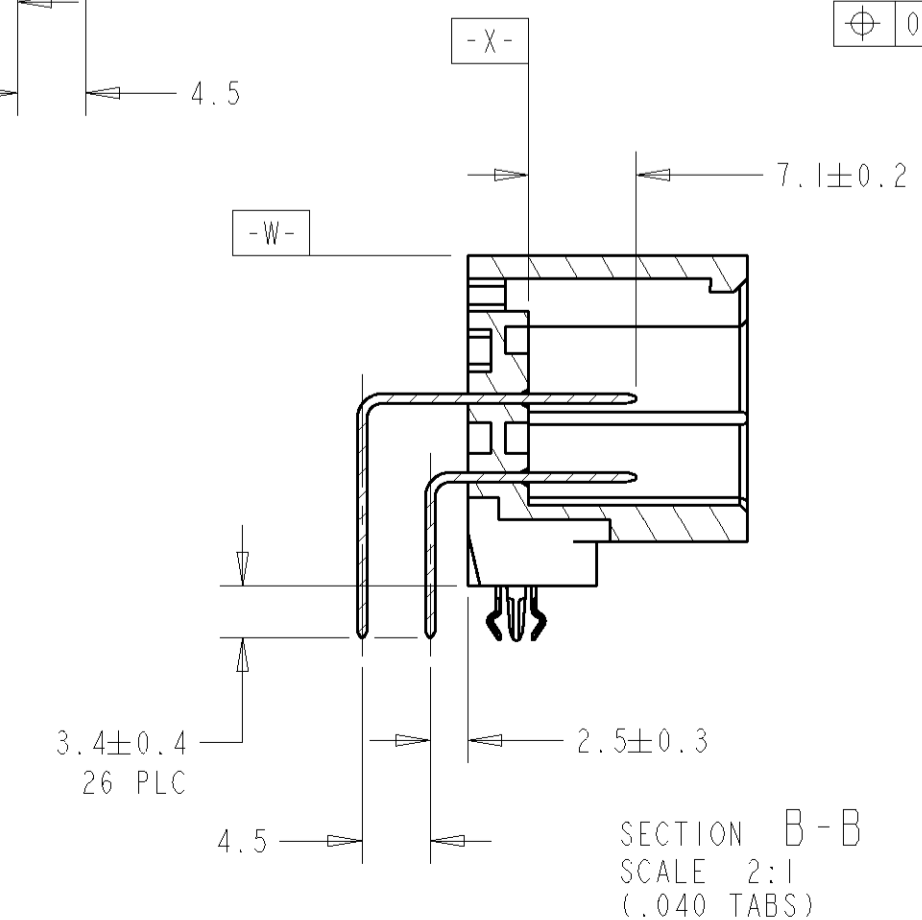
DETAIL E
SCALE 4:1



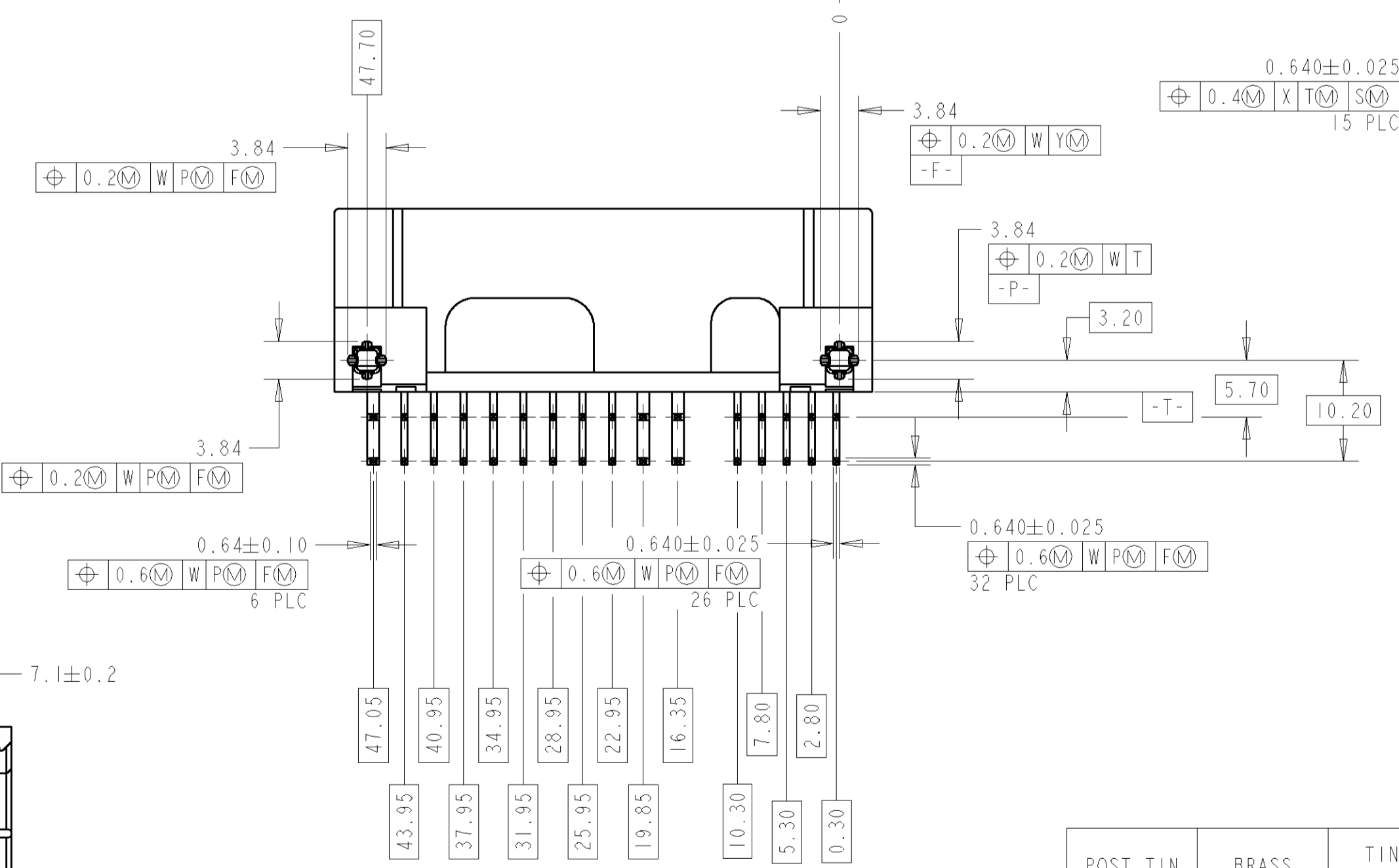
P.C. BOARD LAYOUT
COMPONENT SIDE
(RECOMMENDED BOARD THICKNESS 1.57mm)



SECTION A-A
SCALE 2:1
(.070 TABS)



SECTION B-B
SCALE 2:1
(.040 TABS)



POST TIN	BRASS	TIN OVER NICKEL GOLD OVER NICKEL	BRASS	GRAY	PBT	2-638611-6
BOARDLOCK FINISH	BOARDLOCK MATERIAL	CONTACT FINISH	CONTACT MATERIAL	COLOR	HOUSING MATERIAL	PART NUMBER
DIMENSIONS: mm		TOLERANCES UNLESS OTHERWISE SPECIFIED:		DWN Y. PETERSON 23AUG99 CRW R. SMITH 23AUG99 APD R. SMITH 23AUG99 PRODUCT SPEC 108-5342 APPLICATION SPEC - ANGLES - MATERIAL SEE TABLE FINISH SEE TABLE WEIGHT - SIZE CASE CODE DRAWING NO A1 00779 C=638611 RESTRICTED TO - SCALE 2:1 SHEET 1 OF 1 REV A1		
0 PLC ±0.3 1 PLC ±0.3 2 PLC ±0.15 3 PLC ± 4 PLC ± ANGLES ±		AMP Tyco Electronics Harrisburg, PA 17105-3608 NAME 040/070 32 POSITION CAP ASSY II, HORIZONTAL WITH BOARDLOCKS SIZE CASE CODE DRAWING NO A1 00779 C=638611				RESTRICTED TO

X-ON Electronics

Largest Supplier of Electrical and Electronic Components

Click to view similar products for [Automotive Connectors](#) category:

Click to view products by [TE Connectivity](#) manufacturer:

Other Similar products are found below :

[003-018-000](#) [600858](#) [60403001](#) [60993906-B](#) [60993913-B](#) [629515004020001](#) [M83723/71R1808N L/C](#) [M902-2131](#) [M902-2161](#) [M902-2344](#)
[72.330.1035.1](#) [73.353.4028.0](#) [F118010](#) [F119300-B](#) [F132210](#) [F166900](#) [F180100](#) [F258300](#) [F258300-B](#) [F294300-B](#) [F339100](#) [F339700](#)
[F358300-B](#) [F374110](#) [F407400](#) [F412210](#) [F444110](#) [F487000](#) [F495100](#) [F500900-B](#) [F509500B-B](#) [770444-1](#) [827153-1](#) [881735-1](#)
[8N1515-32-24P](#) [9-1326729-8](#) [925467-1](#) [925474-1](#) [928905-1](#) [936398-2](#) [964562-4](#) [964731-2](#) [968782-1](#) [GT17SA-8DS-HU](#) [GT17VS-10DP-](#)
[5.2CF](#) [98315-0001](#) [98315-0010](#) [98891-1012](#) [98895-2014](#) [98936-1039](#)