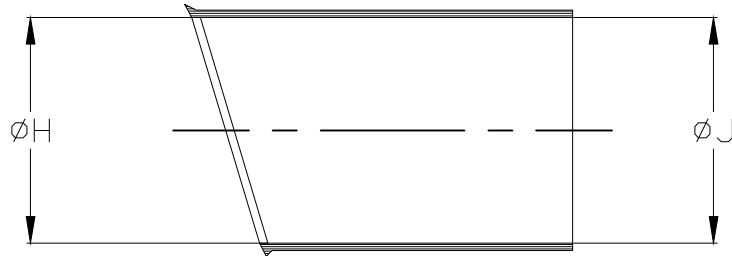
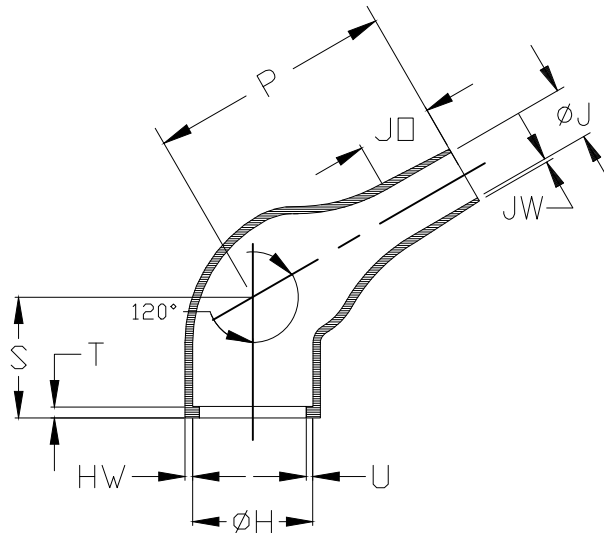


REVISIONS				
P	LTR	DESCRIPTION	DATE	APVD
	2	PRODUCTION ISSUE	04FEB2019	PNT MT

a) Part as supplied



b) Part after unrestricted recovery



DIMENSIONS TABLE


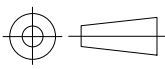
PART No.	H		J		P	S	T	U	JØ	HW	JW
	Min	Max	Min	Max	$\pm 10\%$	$\pm 10\%$	$\pm 10\%$	$\pm 10\%$	$\pm 10\%$	$\pm 20\%$	$\pm 20\%$
	a	b	a	b	b	b	b	b	b	b	b
263W042	60 [2.36]	33.8 [1.33]	60 [2.36]	14.8 [.58]	65 [2.56]	32 [1.26]	3.0 [.12]	1.8 [.07]	18 [.70]	2.0 [.08]	1.0 [.039]

RELEASED FOR PUBLICATION

ALL RIGHTS RESERVED.

© COPYRIGHT - TE Connectivity Ltd.

THIS DRAWING IS UNPUBLISHED.

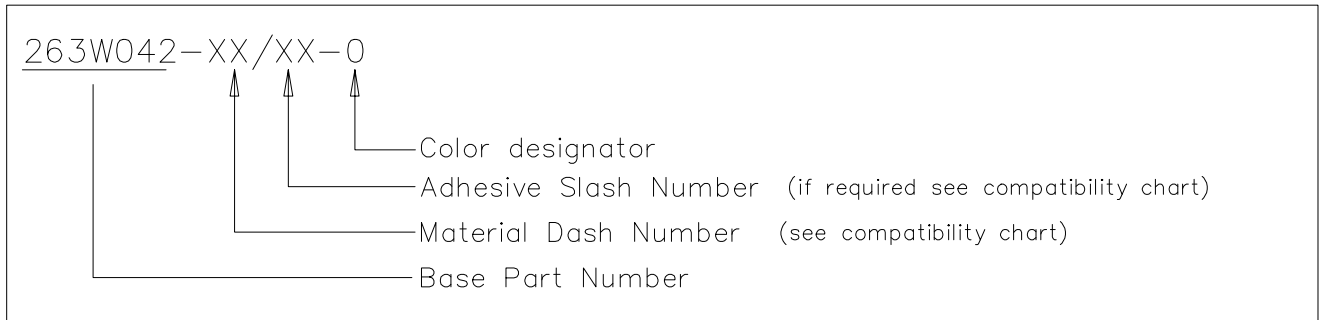
DIMENSIONS: mm [INCHES]	DWN	04FEB2019	MATERIAL	SEE SHEET 2	FINISH	-
	PRAVEEN N T	04FEB2019	CHK	N NAGAR	 TE Connectivity Ltd.	
TOLERANCES UNLESS OTHERWISE SPECIFIED:	APVD	04FEB2019	APVD	M TAYLOR		
	0 PLC $\pm -$	1 PLC $\pm -$	2 PLC $\pm -$	3 PLC $\pm -$	4 PLC $\pm -$	ANGLES $\pm -$
	PRODUCT SPEC	-	NAME	30 DEGREE BOOT		
	APPLICATION SPEC	-	SIZE	CAGE CODE	DRAWING NO	RESTRICTED TO
WEIGHT	A4	00779	G-263W042-XX-0		-	
CUSTOMER DRAWING				SCALE	DNS	SHEET 1 of 2
				REV	2	

REVISIONS					
P	LTR	DESCRIPTION	DATE	DWN	APVD
	-	SEE SHEET 1	-	-	-

COMPATIBILITY CHART

Material Dash Number	Material Description	RT Spec	Coating Slash No.	Coating S No.
-3	POLYOLEFIN, SEMI-RIGID	RT-301	/42, /86, /180	S1017; S1048; S1030
-4	POLYOLEFIN, FLEXIBLE	RT-1304	/42, /86, /180	S1017; S1048; S1030
-25	ELASTOMER, FLUID RESISTANT	RW-2070	/42, /86, /225	S1017; S1048; S1206

Ordering Information



NOTES

- As supplied dimensions are for uncoated parts, when coating is added entry diameters will reduce by 1.5mm[.06] Max.

RELEASED FOR PUBLICATION

ALL RIGHTS RESERVED.

© COPYRIGHT - TE Connectivity Ltd.

THIS DRAWING IS UNPUBLISHED.

DIMENSIONS: mm [INCHES]	DWN PRAVEEN N T	04FEB2019	MATERIAL	-	FINISH	-
	CHK N NAGAR	04FEB2019	TE Connectivity Ltd.			
TOLERANCES UNLESS OTHERWISE SPECIFIED:	APVD M TAYLOR	04FEB2019				
0 PLC ± -	PRODUCT SPEC	-	NAME 30 DEGREE BOOT			
1 PLC ± -	APPLICATION SPEC	-				
2 PLC ± -	WEIGHT	-	SIZE	CAGE CODE	DRAWING NO	RESTRICTED TO
3 PLC ± -			A4	00779	263W042-XX-0	-
4 PLC ± -			CUSTOMER DRAWING			SCALE
ANGLES ± -			DNS			SHEET
			2 OF 2			REV
						2

X-ON Electronics

Largest Supplier of Electrical and Electronic Components

Click to view similar products for [Heat Shrink Cable Boots & End Caps](#) category:

Click to view products by [TE Connectivity](#) manufacturer:

Other Similar products are found below :

[577159N001](#) [645494-000](#) [CX4132-000](#) [687025-000](#) [705331-000](#) [718446-000](#) [725666N001](#) [729257-000](#) [F27131-000](#) [F85868-000](#) [770-003S106W2](#) [770-013210W1](#) [770-013311](#) [770-013312](#) [806542N001](#) [807507-000](#) [808059-000](#) [808362-000](#) [808618-000](#) [809125-000](#) [809130-000](#) [809218-000](#) [812014-000](#) [812047-000](#) [813166-000](#) [813767N002](#) [814741-000](#) [819117N001](#) [823026-000](#) [823070-000](#) [825002-000](#) [841189N001](#) [861471-000](#) [866647-000](#) [879515-000](#) [937577-000](#) [957073-000](#) [982033-2](#) [A77813-000](#) [R280576000](#) [D96192-000](#) [163549-000](#) [MTPSRBCL-C](#) [1954015-1](#) [200W531-3-0](#) [202A163-4-0-CS5067](#) [202A343-3-00-0](#) [202B221-13-0](#) [202B231-13-0](#) [202B563-25-07-0](#)