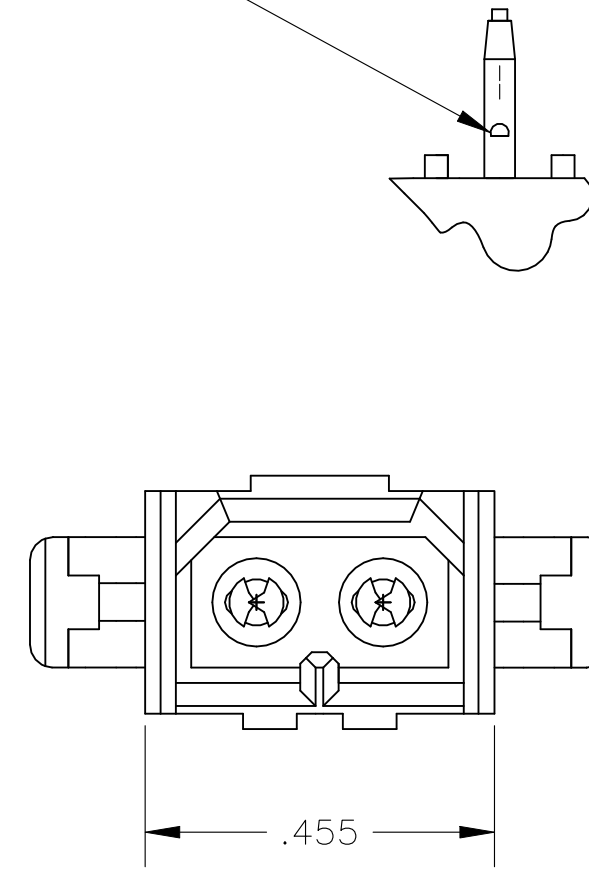
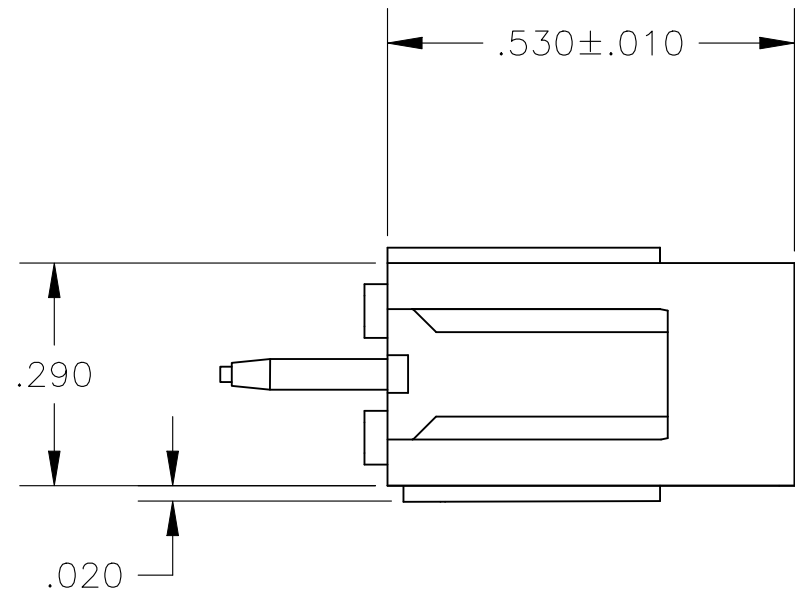
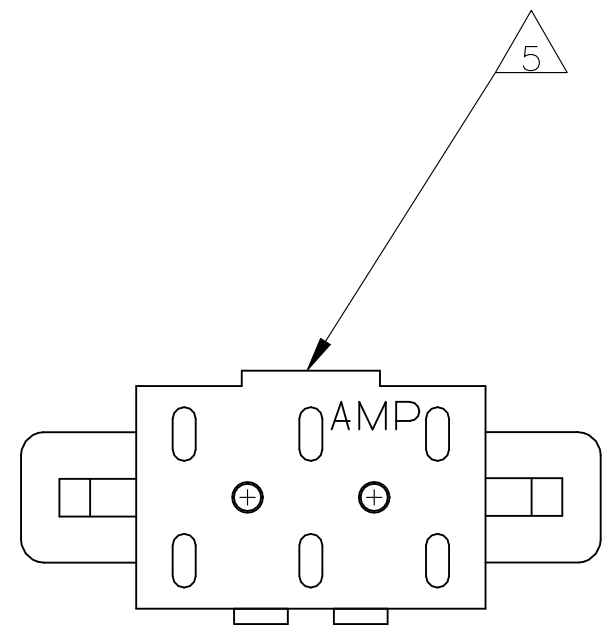
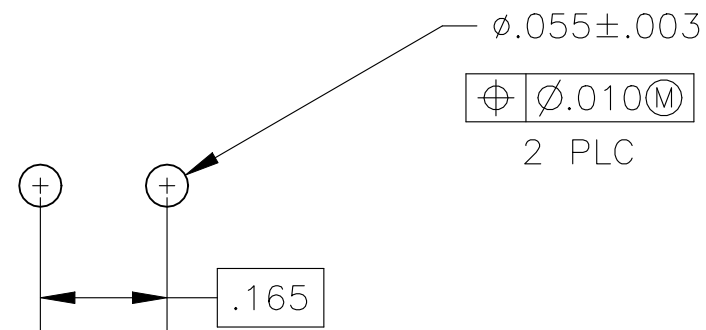
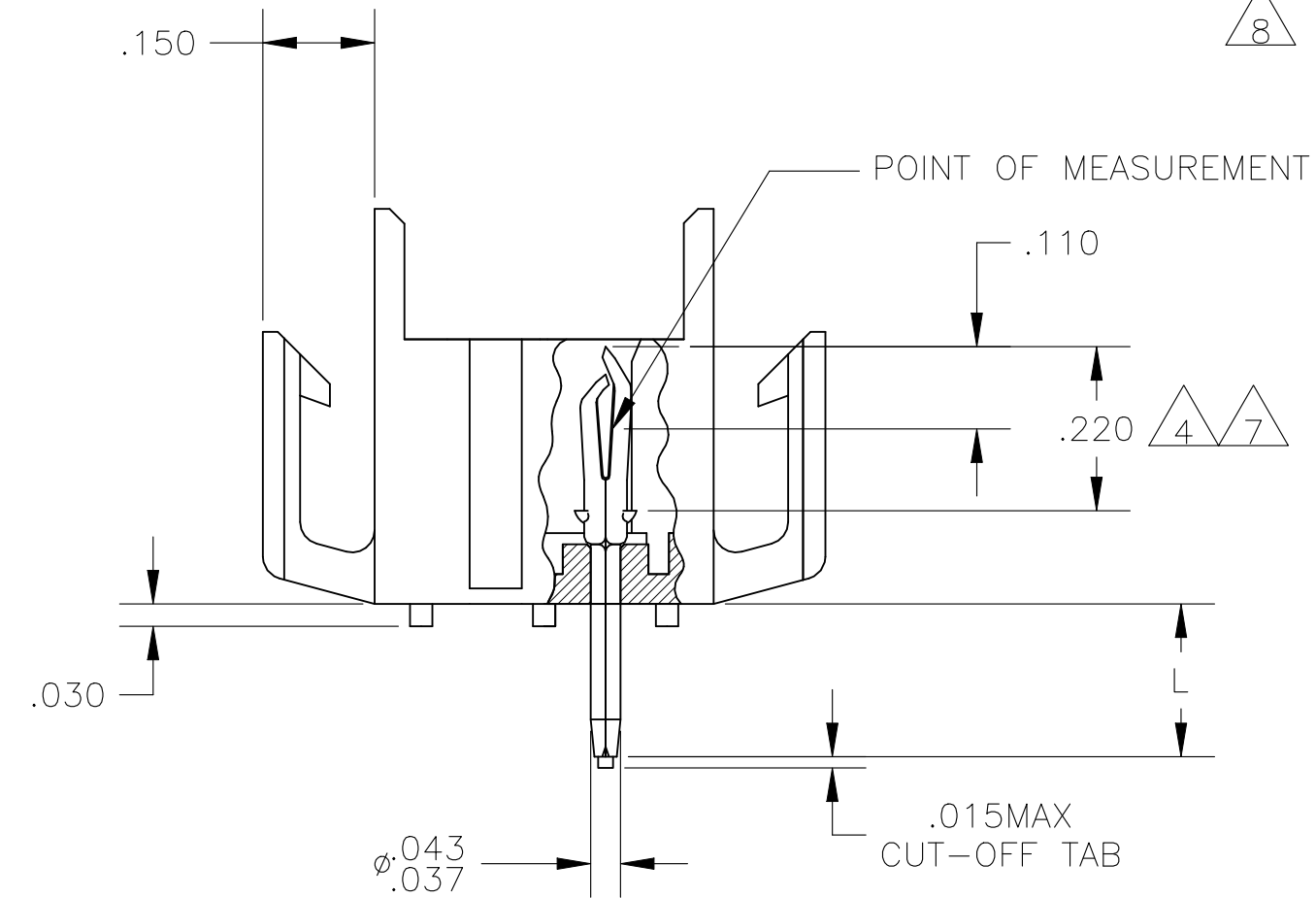


| REVISIONS |     |                           |           |       |
|-----------|-----|---------------------------|-----------|-------|
| P         | LTR | DESCRIPTION               | DATE      | APVD  |
| R         |     | REVISED PER ECO-21-005962 | 19MAY2021 | RK MZ |

ANTI SOLDER WICKING TAB



1. FITS SOCKET HOUSING 640517.
2. ASSEMBLY CONFORMS TO AMP SOLDERABILITY SPEC. 109-11-3.
3. FOR USE WITH .063 THICK P.C. BOARD.
4. CONTACT IS PLATED OVERALL WITH .000050 NICKEL, THEN .000030 GOLD OVER CONTACT LENGTH INDICATED AND .000150 MATTE TIN-LEAD ON SOLDER TAIL END.
5. UL AND CSA LOGO LOCATED ON THIS SURFACE.
6. FOR USE WITH .120 THICK P.C. BOARD.
7. CONTACT IS PLATED OVERALL WITH .000050 NICKEL, THEN .000030 GOLD OVER CONTACT LENGTH INDICATED AND .000150 MATTE TIN ON SOLDER TAIL END.
8. HOUSING MATERIAL: PA66, BLACK, UL 94 V-0 RATED  
CONTACT MATERIAL: PHOSPHOR BRONZE

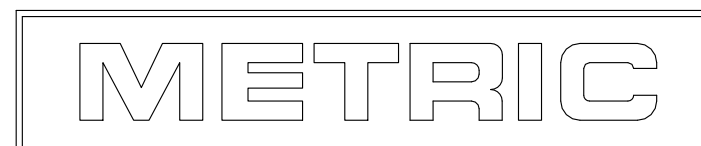


RECOMMENDED P.C. BOARD LAYOUT

| IN      | MM      | IN   | MM    |
|---------|---------|------|-------|
| .043    | 1.09    | .530 | 13.46 |
| .037    | 0.94    | .455 | 11.56 |
| .030    | 0.76    | .290 | 7.37  |
| .020    | 0.51    | .220 | 5.59  |
| .015    | 0.38    | .210 | 5.33  |
| .010    | 0.25    | .165 | 4.19  |
| .008    | 0.20    | .150 | 3.81  |
| .005    | 0.13    | .110 | 2.79  |
| .003    | 0.08    | .063 | 1.60  |
| .000050 | 0.00127 | .055 | 1.40  |

CONVERSION TABLE

|                    |   |            |   |             |
|--------------------|---|------------|---|-------------|
| .210               | 6 | GOLD       | 7 | 2-640497-4  |
| .150               | 3 | GOLD       | 7 | 2-640497-2  |
| .210               | 6 | GOLD       | 4 | 640497-4    |
| .210               | 6 | PRE-TIN    |   | 640497-3    |
| .150               | 3 | GOLD       | 4 | 640497-2    |
| .150               | 3 | PRE-TIN    |   | 640497-1    |
| "L" +.010<br>-.020 |   | PIN FINISH |   | PART NUMBER |



|  |           |                  |                                       |          |
|--|-----------|------------------|---------------------------------------|----------|
| THIS DRAWING IS A CONTROLLED DOCUMENT. |           | DWN              | J. HUFFMAN                            | 27APR98  |
| DIMENSIONS: INCHES                     |           | CHK              | R. SWING                              | 27APR98  |
| TOLERANCES UNLESS OTHERWISE SPECIFIED: |           | APVD             | T. BEDDICK                            | 27APR98  |
| 0 PLC                                  | ± -       | PRODUCT SPEC     | NAME                                  |          |
| 1 PLC                                  | ± -       | APPLICATION SPEC | HEADER ASSEMBLY, PIN, 2 POSITION, MR. |          |
| 2 PLC                                  | ± -       | WEIGHT           | SIZE                                  | A2       |
| 3 PLC                                  | ± .005    | WEIGHT           | CAGE CODE                             | 00779    |
| 4 PLC                                  | ± -       | WEIGHT           | DRAWING NO                            | C=640497 |
| ANGLES                                 | ± 0°30'   | WEIGHT           | RESTRICTED TO                         | -        |
| MATERIAL                               | SEE TABLE | CUSTOMER DRAWING | SCALE                                 | 4:1      |
|  |           |                  | SHEET                                 | 1 OF 1   |
|  |           |                  | REV                                   | R        |

## X-ON Electronics

Largest Supplier of Electrical and Electronic Components

*Click to view similar products for [Headers & Wire Housings](#) category:*

*Click to view products by [TE Connectivity](#) manufacturer:*

Other Similar products are found below :

[892-18-020-10-001101](#) [58102-G61-06LF](#) [582553-1](#) [0009485154](#) [009176003701906](#) [0050291907](#) [LY20-4P-DT1-P1E-BR](#) [02.125.8002.8](#)  
[609-3404](#) [61062-3](#) [61082-181009](#) [622-3653LF](#) [63453-116](#) [636-1030](#) [636-1427](#) [636-3427](#) [636-4007](#) [641938-9](#) [641991-4](#) [644827-2](#) [65817-](#)  
[010LF](#) [65817-015LF](#) [65863-015LF](#) [66207-023LF](#) [67095-007LF](#) [67601157](#) [68645-018](#) [68648-049](#) [70.362.1628.0](#) [70-4210](#) [70-4226B](#) [70-](#)  
[4853B](#) [707-5020](#) [707-5028](#) [71.350.2428.0](#) [71918-208LF](#) [71961-016LF](#) [733-134](#) [733-162](#) [754199-000](#) [760-3052](#) [79531-3000](#) [FCN-](#)  
[360C032-B](#) [FCN-367T-T012/H](#) [FCN-723D010/2](#) [80.063.4001.1](#) [800-90-010-10-002000](#) [801-43-002-10-013000](#) [801-43-006-10-002000](#)  
[801-93-011-10-001000](#)