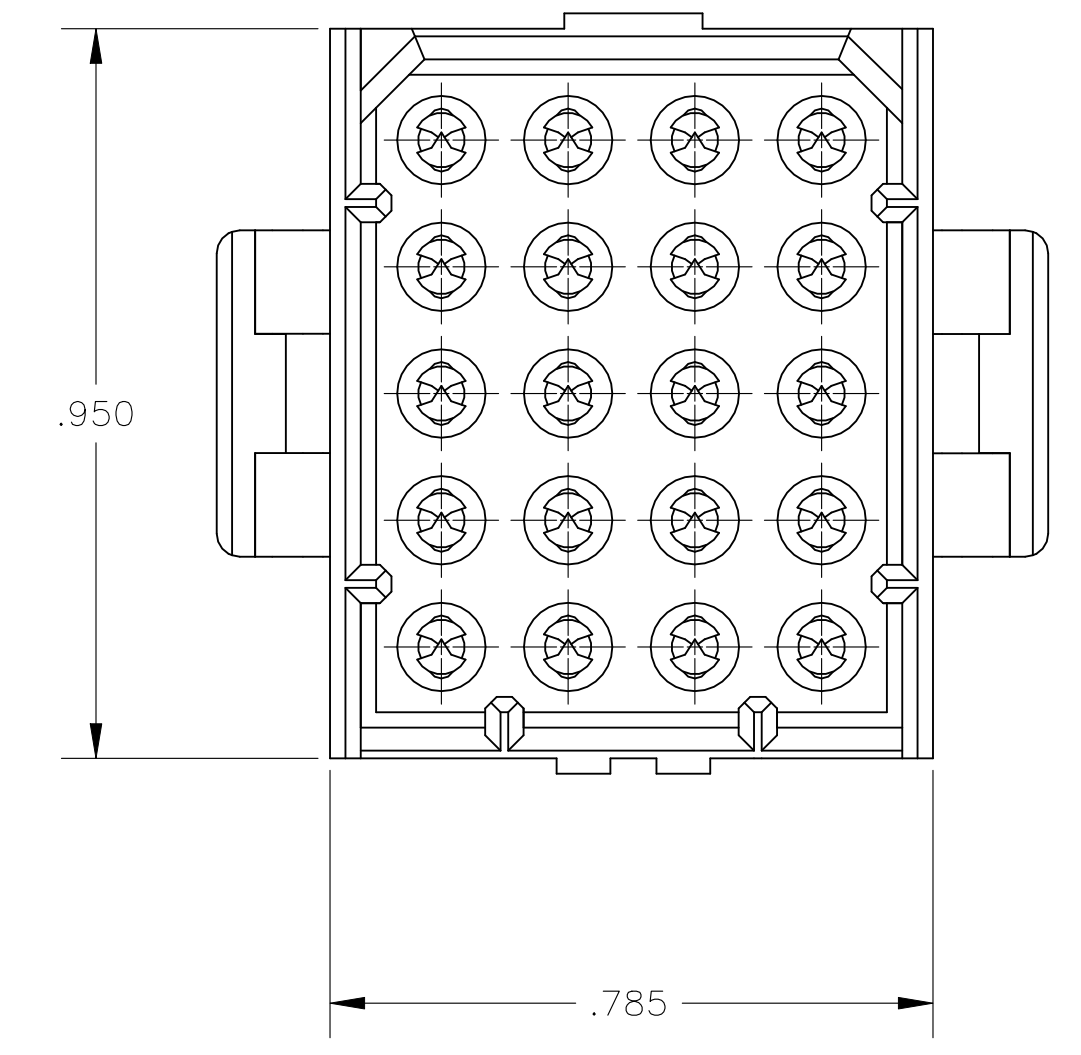
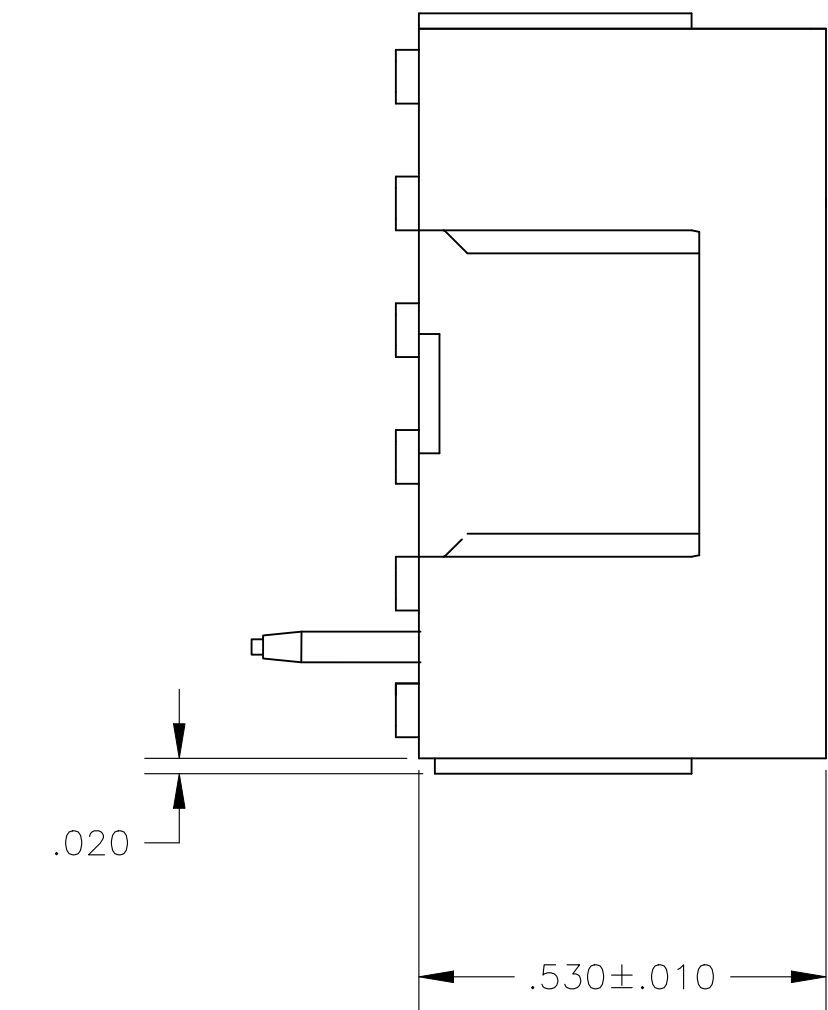
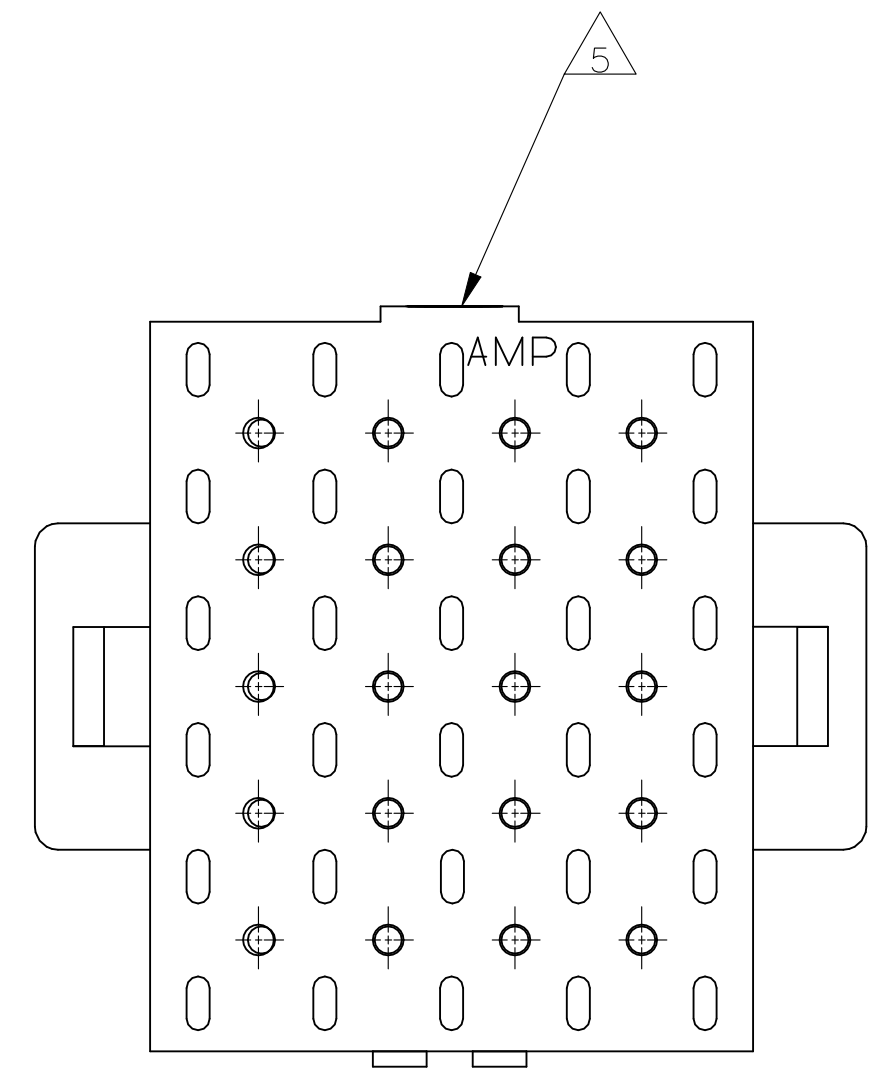
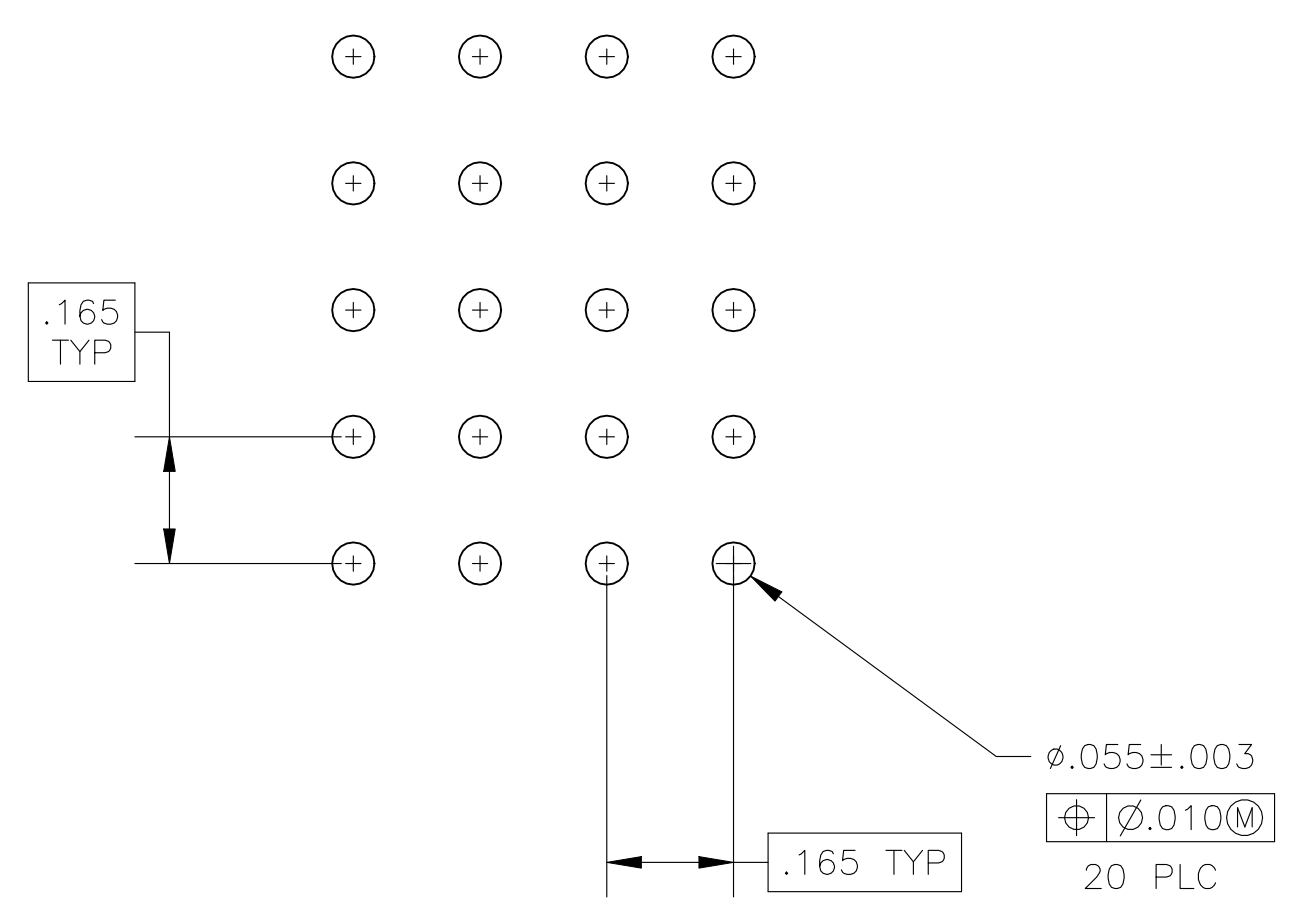


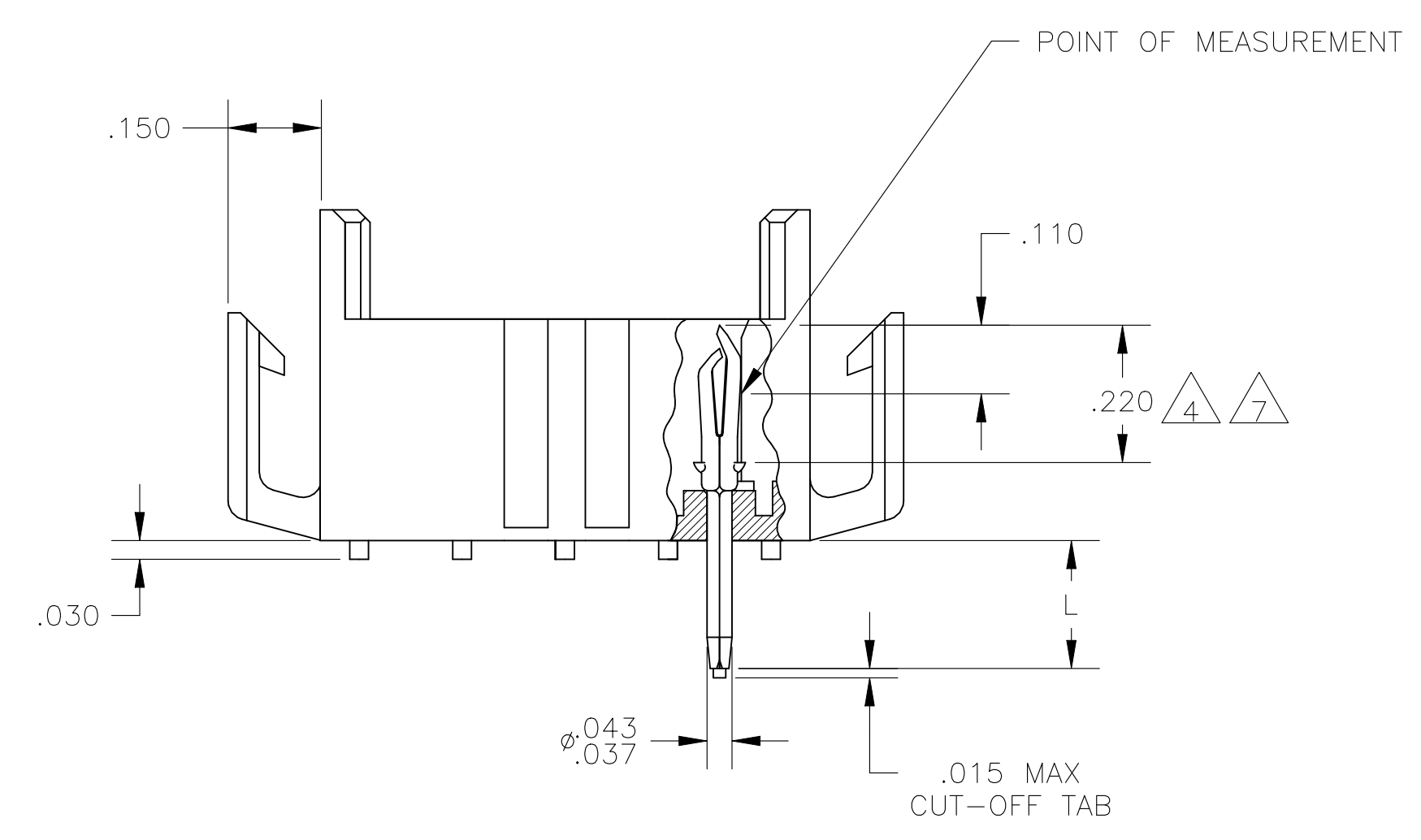
REVISIONS					
P	LTR	DESCRIPTION	DATE	DWN	APVD
S		REVISED PER ECO-21-006898	14DEC2021	RK	MZ



- 1 FITS SOCKET HOUSING 640524.
- 2 ASSEMBLY CONFORMS TO AMP SOLDERABILITY SPEC. 109-11-3.
- 3 FOR USE WITH .063 THICK P.C. BOARD.
- 4 CONTACT IS PLATED OVERALL WITH .000050 NICKEL, THEN .000030 GLD OVER CONTACT LENGTH INDICATED AND .000150 MATTE TIN-LEAD ON SOLDER TAIL END.
- 5 UL AND CSA LOGO LOCATED ON THIS SURFACE.
- 6 FOR USE WITH .120 THICK P.C. BOARD.
- 7 CONTACT IS PLATED OVERALL WITH .000050 NICKEL, THEN .000030 GLD OVER CONTACT LENGTH INDICATED AND .000150 MATTE TIN ON SOLDER TAIL END.
- 8 HOUSING MATERIAL: PA66, BLACK, UL 94 V-0 RATED
CONTACT MATERIAL: PHOSPHOR BRONZE



RECOMMENDED P.C. BOARD LAYOUT



	.210	6	GOLD	7	2-640504-4
	.150	3	GOLD	7	2-640504-2
	.210	6	GOLD	4	640504-4
	.210	6	PRE-TIN		640504-3
OBSOLETE	.150	3	GOLD	4	640504-2
	.150	3	PRE-TIN		640504-1
	"L"	+0.10 -.020	PIN FINISH		PART NUMBER

	.010	0.25	.055	1.40	.220	5.59	-	-
	.008	0.20	.043	1.09	.210	5.33	-	-
	.005	0.13	.037	0.94	.165	4.19	-	-
	.003	0.08	.030	0.76	.150	3.81	.950	24.13
	.000050	0.00127	.020	0.51	.110	2.79	.785	19.94
	.000030	0.00076	.015	0.38	.063	1.60	.530	13.46
	IN	MM	IN	MM	IN	MM	IN	MM

CONVERSION TABLE

THIS DRAWING IS A CONTROLLED DOCUMENT.

DIMENSIONS: INCHES	TOLERANCES UNLESS OTHERWISE SPECIFIED:	DIN J. HUFFMAN 28APR98	TE Connectivity
		CHK: R. SWING 28APR98	
		APVD: T. REDDICK 28APR98	
		NAME: HEADER ASSEMBLY, PIN, 20 POSITION, MR.	
		PRODUCT SPEC: -	
		APPLICATION SPEC: -	
		SIZE: A1	RESTRICTED TO: -
		WEIGHT: -	SCALE: 4:1
		CUSTOMER DRAWING	SHEET 1 of 1

X-ON Electronics

Largest Supplier of Electrical and Electronic Components

Click to view similar products for [Headers & Wire Housings](#) category:

Click to view products by [TE Connectivity](#) manufacturer:

Other Similar products are found below :

[892-18-020-10-001101](#) [58102-G61-06LF](#) [582553-1](#) [0009485154](#) [009176003701906](#) [0050291907](#) [LY20-4P-DT1-P1E-BR](#) [02.125.8002.8](#)
[609-3404](#) [61062-3](#) [61082-181009](#) [622-3653LF](#) [63453-116](#) [636-1030](#) [636-1427](#) [636-3427](#) [636-4007](#) [641938-9](#) [641991-4](#) [644827-2](#) [65817-](#)
[010LF](#) [65817-015LF](#) [65863-015LF](#) [66207-023LF](#) [67095-007LF](#) [67601157](#) [68645-018](#) [68648-049](#) [70.362.1628.0](#) [70-4210](#) [70-4226B](#) [70-](#)
[4853B](#) [707-5020](#) [707-5028](#) [71.350.2428.0](#) [71918-208LF](#) [71961-016LF](#) [733-134](#) [733-162](#) [754199-000](#) [760-3052](#) [787-8014-00](#) [79531-3000](#)
[FCN-360C032-B](#) [FCN-367T-T012/H](#) [FCN-723D010/2](#) [80.063.4001.1](#) [800-90-001-10-001000](#) [800-90-010-10-002000](#) [801-43-002-10-013000](#)