

2-6437285-8 ✓ ACTIVE

AMP | SUPERSEAL 1.0mm

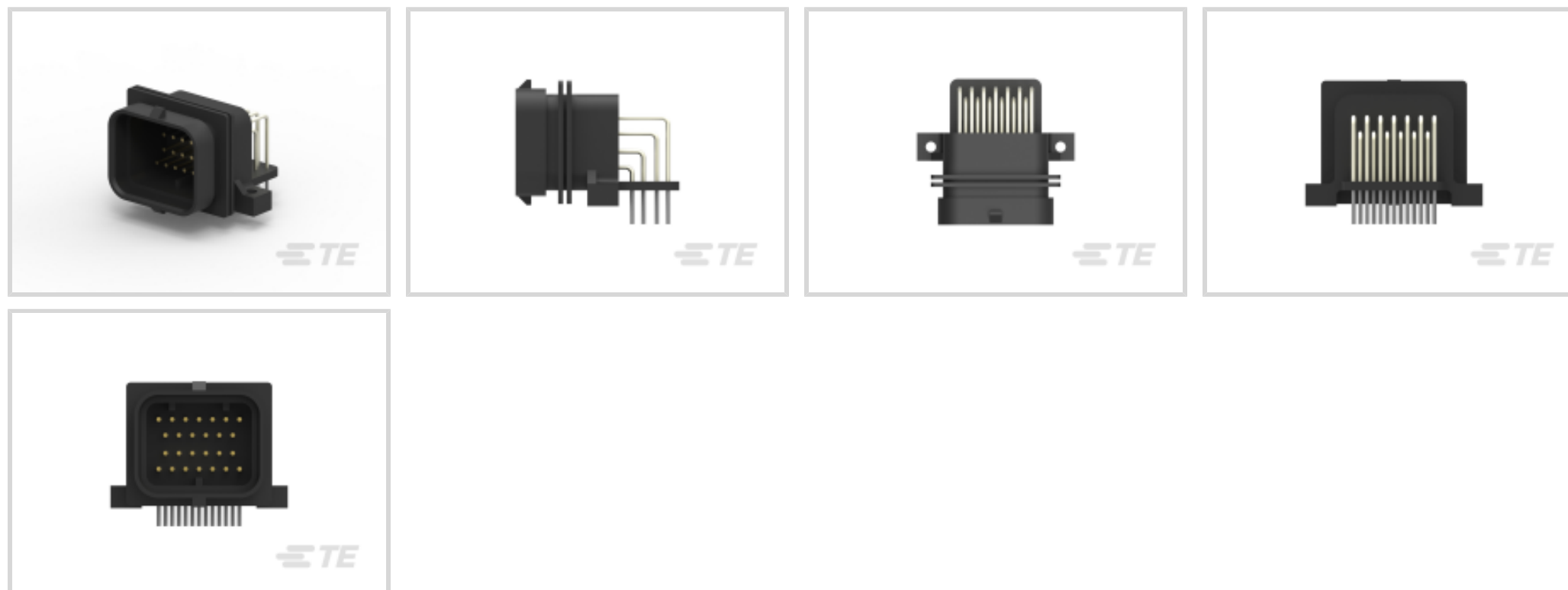
TE Internal #: 2-6437285-8

SUPERSEAL 1.0mm, Automotive Headers, Wire-to-Board / Wire-to-Device, 26 Position, 3mm / 3.5mm [.138in / .118in] Centerline, Sealable, Horizontal

[View on TE.com >](#)



Connectors > Automotive Connectors > Automotive Headers > SUPERSEAL 1.0 HEADERS



Connector System: **Wire-to-Board, Wire-to-Device**

Number of Positions: **26**

Centerline (Pitch): **3 mm, 3.5 mm [.118 in, .138 in]**

Sealable: **Yes**

PCB Mount Orientation: **Horizontal**

[All SUPERSEAL 1.0 HEADERS \(23\)](#)

Features

Product Type Features

| | |
|-----------------------------------|-------------------------------|
| Hybrid Header | No |
| Connector System | Wire-to-Board, Wire-to-Device |
| Sealable | Yes |
| Connector & Contact Terminates To | Printed Circuit Board |

Configuration Features

| | |
|----------------------------|------------|
| Number of Signal Positions | 26 |
| Number of Positions | 26 |
| PCB Mount Orientation | Horizontal |
| Number of Rows | 4 |

Electrical Characteristics

| | |
|------------------------------|-------------------------------|
| Voltage Rating (Max) | 250 VAC |
| Nominal Voltage Architecture | 12 V, 24 V, 42 V, 48 V, 240 V |



| | |
|-------------------|---------|
| Operating Voltage | 250 VAC |
|-------------------|---------|

Body Features

| | |
|-----------------------|-------|
| Primary Product Color | Black |
|-----------------------|-------|

Contact Features

| | |
|---------------------|----------------|
| Mating Pin Diameter | 1 mm [.039 in] |
|---------------------|----------------|

| | |
|--------------------------------------|-----------|
| Contact Mating Area Plating Material | Gold (Au) |
|--------------------------------------|-----------|

Termination Features

| | |
|---|-----------------------|
| Termination Method to Printed Circuit Board | Through Hole - Solder |
|---|-----------------------|

Mechanical Attachment

| | |
|-------------------|------|
| Locking Interface | With |
|-------------------|------|

| | |
|----------------|------|
| Mounting Holes | With |
|----------------|------|

| | |
|---------------------|---------|
| PCB Mount Alignment | Without |
|---------------------|---------|

| | |
|---------------------|---------|
| Panel Mount Feature | Without |
|---------------------|---------|

| | |
|---------------------|---------|
| PCB Mount Retention | Without |
|---------------------|---------|

Housing Features

| | |
|--------------------|---------------------------------|
| Centerline (Pitch) | 3 mm, 3.5 mm [.118 in][.138 in] |
|--------------------|---------------------------------|

Dimensions

| | |
|-------------------------|-------------------|
| Profile Height from PCB | 21.4 mm [.843 in] |
|-------------------------|-------------------|

| | |
|---------------|-----------------|
| Product Width | 23 mm [.906 in] |
|---------------|-----------------|

| | |
|----------------|-------------------|
| Product Length | 39.6 mm [1.56 in] |
|----------------|-------------------|

Usage Conditions

| | |
|-----------------------------|---|
| Operating Temperature (Max) | 65 °C, 70 °C, 75 °C, 80 °C, 85 °C, 90 °C, 100 °C, 105 °C, 110 °C, 120 °C, 125 °C [149 °F][158 °F][167 °F][176 °F][185 °F][194 °F][212 °F][221 °F][230 °F][248 °F][257 °F] |
|-----------------------------|---|

| | |
|-----------------------------|--|
| Operating Temperature Range | -40 – 125 °C, -40 – 125 °C [-40 – 257 °F][-40 – 257 °F] |
|-----------------------------|--|

Operation/Application

| | |
|----------|----|
| Shielded | No |
|----------|----|

Industry Standards

| | |
|----------------------|-----------|
| Degree of Protection | JIS D0203 |
|----------------------|-----------|

| | |
|------------------------|---------|
| UL Flammability Rating | UL 94HB |
|------------------------|---------|

Packaging Features



| | |
|--------------------|------|
| Packaging Type | Tube |
| Packaging Quantity | 16 |

Product Compliance

[For compliance documentation, visit the product page on TE.com>](#)

| | |
|---|---|
| EU RoHS Directive 2011/65/EU | Compliant |
| EU ELV Directive 2000/53/EC | Compliant |
| China RoHS 2 Directive MIIT Order No 32, 2016 | No Restricted Materials Above Threshold |
| EU REACH Regulation (EC) No. 1907/2006 | Current ECHA Candidate List: JAN 2021 (211) Candidate List Declared Against: JAN 2021 (211) Does not contain REACH SVHC |
| Halogen Content | Not Low Halogen - contains Br or Cl > 900 ppm. |
| Solder Process Capability | Not applicable for solder process capability |

Product Compliance Disclaimer

This information is provided based on reasonable inquiry of our suppliers and represents our current actual knowledge based on the information they provided. This information is subject to change. The part numbers that TE has identified as EU RoHS compliant have a maximum concentration of 0.1% by weight in homogenous materials for lead, hexavalent chromium, mercury, PBB, PBDE, DBP, BBP, DEHP, DIBP, and 0.01% for cadmium, or qualify for an exemption to these limits as defined in the Annexes of Directive 2011/65/EU (RoHS2). Finished electrical and electronic equipment products will be CE marked as required by Directive 2011/65/EU. Components may not be CE marked. Additionally, the part numbers that TE has identified as EU ELV compliant have a maximum concentration of 0.1% by weight in homogenous materials for lead, hexavalent chromium, and mercury, and 0.01% for cadmium, or qualify for an exemption to these limits as defined in the Annexes of Directive 2000/53/EC (ELV). Regarding the REACH Regulation, the information TE provides on SVHC in articles for this part number is based on the latest European Chemicals Agency (ECHA) 'Guidance on requirements for substances in articles' posted at this URL: <https://echa.europa.eu/guidance-documents/guidance-on-reach>

Compatible Parts



Also in the Series | **SUPERSEAL 1.0mm**



Automotive Headers(24)



Automotive Housings(11)



Automotive Seals & Cavity Plugs(1)

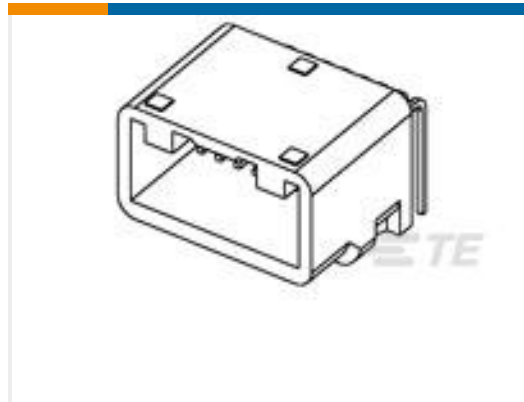


Automotive Terminals(6)

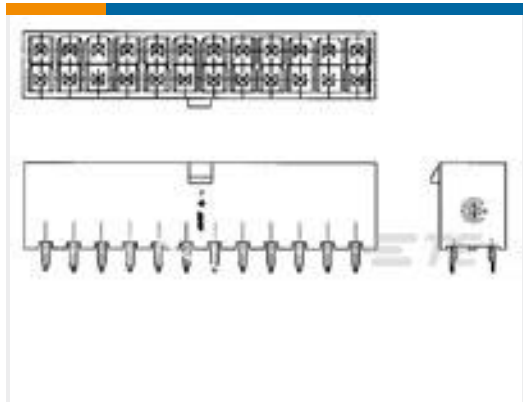
Customers Also Bought



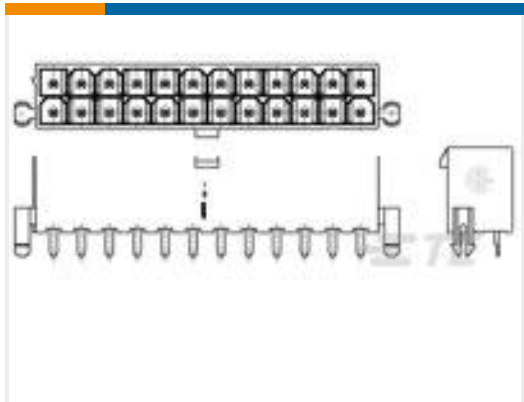
TE Part #DT13-08PB
HDR, 8P, BLK, RA, NI/CU, B



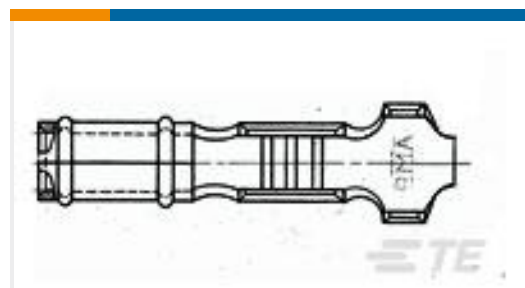
TE Part #1318382-4
025 16POS CAP ASSY H TIN



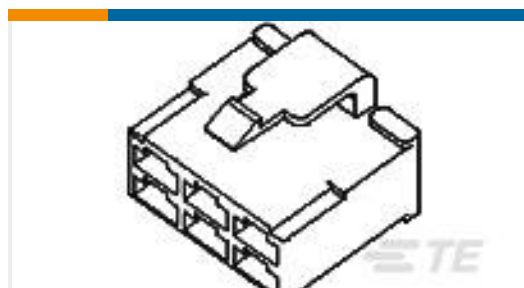
TE Part #1586038-8
8P VRT HDR VAL-U-LOK V0



TE Part #1-1586039-6
16P VAL-U-LOK VRT HDR W/P V2



TE Part #170137-1
.058 DIA P.C.B REC LP



TE Part #171898-4
FF 250 PLUG HSG 6P NYLON GREEN



TE Part #1-1473369-4
SQUIB 11DIA SCR ASSY 8.8MM TYPE



TE Part #1473369-7
SQUIB 11DIA SCR ASSY CODE-A GR



TE Part #1473369-9
SQUIB 11DIA SCR ASSY 8.8MM TYPE



TE Part #172020-1
13P MINI AMPIN HEADER HSG

Documents

Product Drawings

[SUPER SEAL 26POS CAP ASSY H AU](#)

Japanese

CAD Files

Customer View Model

[ENG_CVM_CVM_2-6437285-8_C.2d_dxf.zip](#)

English

[3D PDF](#)



3D

Customer View Model

[ENG_CVM_CVM_2-6437285-8_C.3d_igs.zip](#)

English

Customer View Model

[ENG_CVM_CVM_2-6437285-8_C.3d_stp.zip](#)

English

By downloading the CAD file I accept and agree to the [Terms and Conditions](#) of use.

Datasheets & Catalog Pages

[ICT Terminals and Connectors Catalogue](#)

English

[CONNECTOR SELECTOR](#)

English

Product Specifications

[Receptacle Contact, Super Seal Connector](#)

Japanese

[Application Specification](#)

Japanese

[Super Seal Connector](#)

Japanese

[Application Specification](#)

Japanese

Instruction Sheets

[Instruction Sheet \(non U.S.\)](#)

English

[SUPER SEAL CONNECTOR PLUG HOUSING CONNECTOR](#)

English

X-ON Electronics

Largest Supplier of Electrical and Electronic Components

Click to view similar products for [Automotive Connectors](#) category:

Click to view products by [TE Connectivity](#) manufacturer:

Other Similar products are found below :

[003-018-000](#) [60403001](#) [60993906-B](#) [M902-2131](#) [M902-2161](#) [M902-2344](#) [72.330.1035.1](#) [73.353.4028.0](#) [F119300-B](#) [F166900](#) [F258300-B](#)
[F358300-B](#) [F407400](#) [F444110](#) [F487000](#) [F509500B-B](#) [827153-1](#) [8N1515-32-24P](#) [9-1326729-8](#) [925474-1](#) [928905-1](#) [964562-4](#) [968782-1](#)
[GT17SA-8DS-HU](#) [98891-1012](#) [98947-1016](#) [12004147](#) [12004475-L](#) [12010290](#) [12010309-B](#) [12015454](#) [12020219-B](#) [12041318-B](#) [12052225-](#)
[L](#) [12052466](#) [12064869](#) [12004327-B](#) [12015308](#) [12015384](#) [12015909](#) [1-21030-1](#) [12041254](#) [12041318](#) [12047946-B](#) [12047957](#) [12047957-L](#)
[12059473](#) [12066261](#) [12110546](#) [12110546-B](#)