

2-6447232-3 ✓ ACTIVE

AMP | SUPERSEAL 1.0mm

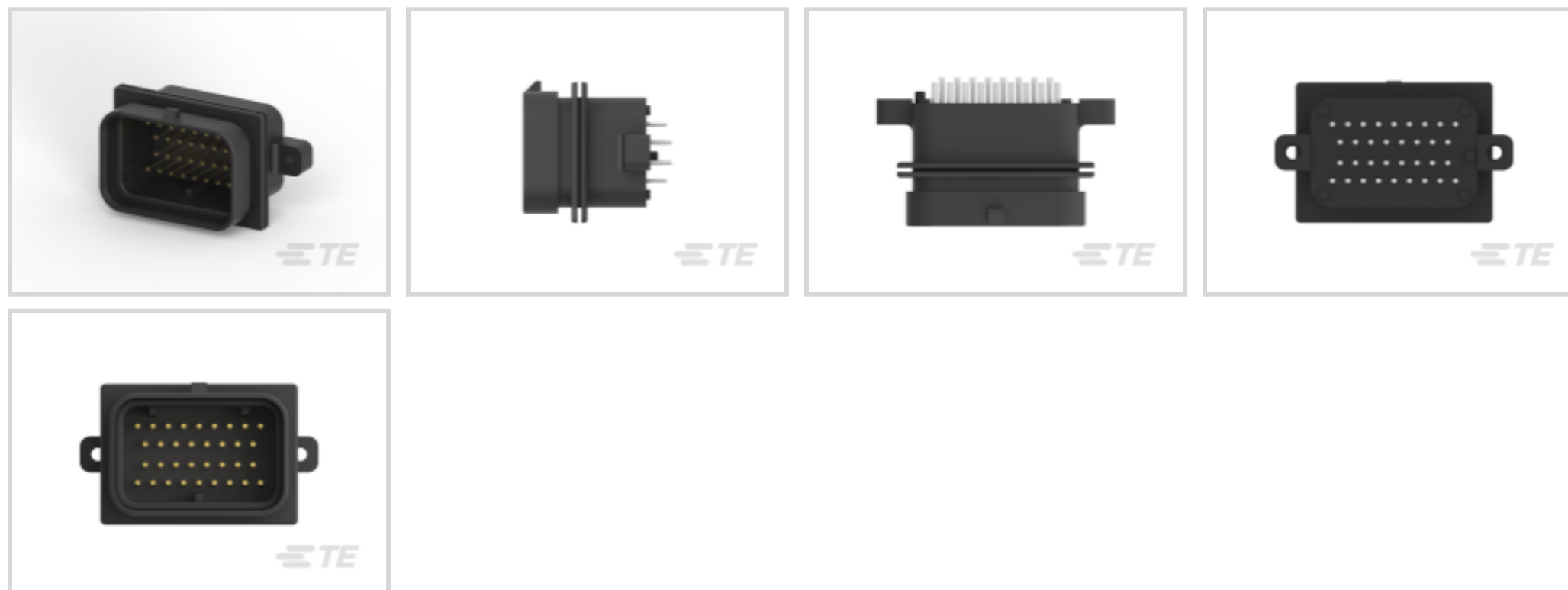
TE Internal #: 2-6447232-3

SUPERSEAL 1.0mm, Automotive Headers, Wire-to-Board / Wire-to-Device, 34 Position, 3mm / 3.5mm [.118in / .138in] Centerline, Sealable, Vertical, 4 Row

[View on TE.com >](#)



Connectors > Automotive Connectors > Automotive Headers > SUPERSEAL 1.0 HEADERS



Connector System: **Wire-to-Board, Wire-to-Device**

Number of Positions: **34**

Centerline (Pitch): **3 mm, 3.5 mm [.118 in, .138 in]**

Sealable: **Yes**

PCB Mount Orientation: **Vertical**

[All SUPERSEAL 1.0 HEADERS \(23\)](#)

Features

Product Type Features

Hybrid Header	No
Connector System	Wire-to-Board, Wire-to-Device
Sealable	Yes
Connector & Contact Terminates To	Printed Circuit Board

Configuration Features

Number of Signal Positions	34
Number of Positions	34
PCB Mount Orientation	Vertical
Number of Rows	4

Electrical Characteristics

Voltage Rating (Max)	250 VAC
Nominal Voltage Architecture	12 V, 24 V, 42 V, 48 V, 240 V



Operating Voltage	250 VAC
-------------------	---------

Body Features

Primary Product Color	Black
-----------------------	-------

Contact Features

Mating Pin Diameter	1 mm [.039 in]
---------------------	----------------

Contact Mating Area Plating Material	Gold (Au)
--------------------------------------	-----------

Termination Features

Termination Method to Printed Circuit Board	Through Hole - Solder
---	-----------------------

Mechanical Attachment

Locking Interface	With
-------------------	------

Mounting Holes	With
----------------	------

PCB Mount Alignment	With
---------------------	------

Panel Mount Feature	Without
---------------------	---------

PCB Mount Retention	Without
---------------------	---------

Housing Features

Centerline (Pitch)	3 mm, 3.5 mm [.118 in][.138 in]
--------------------	---------------------------------

Dimensions

Profile Height from PCB	24 mm [.945 in]
-------------------------	-----------------

Product Width	27.4 mm [1.079 in]
---------------	--------------------

Product Length	38.5 mm [1.515 in]
----------------	--------------------

Usage Conditions

Operating Temperature (Max)	65 °C, 70 °C, 75 °C, 80 °C, 85 °C, 90 °C, 100 °C, 105 °C, 110 °C, 120 °C, 125 °C [149 °F][158 °F][167 °F][176 °F][185 °F][194 °F][212 °F][221 °F][230 °F][248 °F][257 °F]
-----------------------------	---

Operating Temperature Range	-40 – 125 °C, -40 – 125 °C [-40 – 257 °F][-40 – 257 °F]
-----------------------------	--

Operation/Application

Shielded	No
----------	----

Industry Standards

Degree of Protection	JIS D0203
----------------------	-----------

UL Flammability Rating	UL 94HB
------------------------	---------

Packaging Features



Packaging Type	Tube
Packaging Quantity	14

Product Compliance

[For compliance documentation, visit the product page on TE.com>](#)

EU RoHS Directive 2011/65/EU	Compliant
EU ELV Directive 2000/53/EC	Compliant
China RoHS 2 Directive MIIT Order No 32, 2016	No Restricted Materials Above Threshold
EU REACH Regulation (EC) No. 1907/2006	Current ECHA Candidate List: JAN 2021 (211) Candidate List Declared Against: JAN 2021 (211) Does not contain REACH SVHC
Halogen Content	Not Low Halogen - contains Br or Cl > 900 ppm.
Solder Process Capability	Wave solder capable to 240°C

Product Compliance Disclaimer

This information is provided based on reasonable inquiry of our suppliers and represents our current actual knowledge based on the information they provided. This information is subject to change. The part numbers that TE has identified as EU RoHS compliant have a maximum concentration of 0.1% by weight in homogenous materials for lead, hexavalent chromium, mercury, PBB, PBDE, DBP, BBP, DEHP, DIBP, and 0.01% for cadmium, or qualify for an exemption to these limits as defined in the Annexes of Directive 2011/65/EU (RoHS2). Finished electrical and electronic equipment products will be CE marked as required by Directive 2011/65/EU. Components may not be CE marked. Additionally, the part numbers that TE has identified as EU ELV compliant have a maximum concentration of 0.1% by weight in homogenous materials for lead, hexavalent chromium, and mercury, and 0.01% for cadmium, or qualify for an exemption to these limits as defined in the Annexes of Directive 2000/53/EC (ELV). Regarding the REACH Regulation, the information TE provides on SVHC in articles for this part number is based on the latest European Chemicals Agency (ECHA) 'Guidance on requirements for substances in articles' posted at this URL: <https://echa.europa.eu/guidance-documents/guidance-on-reach>

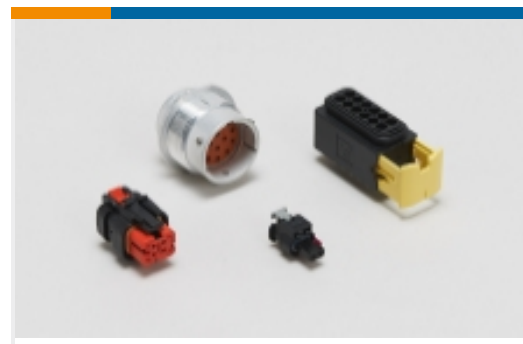
Compatible Parts



Also in the Series | [SUPERSEAL 1.0mm](#)



Automotive Headers(24)



Automotive Housings(11)



Automotive Seals & Cavity Plugs(1)

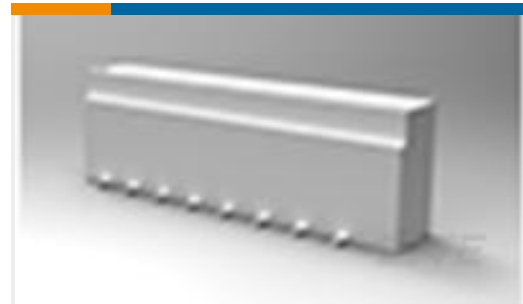


Automotive Terminals(6)

Customers Also Bought



TE Part #1-2199119-5
M.2 0.5PITCH 3.2H KEY M 15U" AU



TE Part #1-1735042-0
1MM FFC SMT V ASSY 10P EMBOSS



TE Part #1-776228-5
AMPSEAL HEADERS



TE Part #DT15-12PA
HDR, 12P, GRY, ST, NI/CU, A



TE Part #1452997-1
76 POS 2-NDRAY LOCK BIG



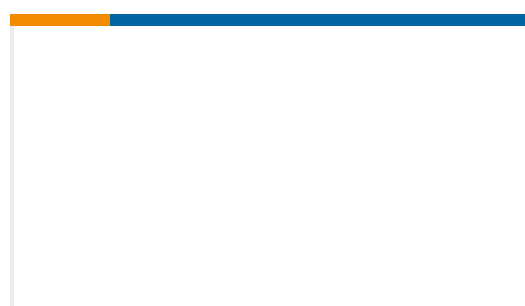
TE Part #1452408-1
2-NDRY F58 POS. CONNECTOR



TE Part #1-1452424-2
BLIND PLUG FOR MCON 1.2 CB (1.



TE Part #1011-118-0405
SEAL RET, 4P, GRY, DTP



TE Part #1-936490-2
ECU 81P HDR ASSY

Documents

Product Drawings

[SUPER SEAL 34POS CAP ASSY V AU](#)

Japanese

CAD Files

[Customer View Model](#)

[ENG_CVM_CVM_2-6447232-3_B.2d_dxf.zip](#)

English

[3D PDF](#)



3D

Customer View Model

[ENG_CVM_CVM_2-6447232-3_B.3d_igs.zip](#)

English

Customer View Model

[ENG_CVM_CVM_2-6447232-3_B.3d_stp.zip](#)

English

By downloading the CAD file I accept and agree to the [Terms and Conditions](#) of use.

Datasheets & Catalog Pages

[ICT Terminals and Connectors Catalogue](#)

English

Product Specifications

[Receptacle Contact, Super Seal Connector](#)

Japanese

[Application Specification](#)

Japanese

[Super Seal Connector](#)

Japanese

[Application Specification](#)

Japanese

Instruction Sheets

[Instruction Sheet \(non U.S.\)](#)

English

[SUPER SEAL CONNECTOR PLUG HOUSING CONNECTOR](#)

English

X-ON Electronics

Largest Supplier of Electrical and Electronic Components

Click to view similar products for [Automotive Connectors](#) category:

Click to view products by [TE Connectivity](#) manufacturer:

Other Similar products are found below :

[003-018-000](#) [60403001](#) [60993906-B](#) [M902-2131](#) [M902-2161](#) [M902-2344](#) [72.330.1035.1](#) [73.353.4028.0](#) [F119300-B](#) [F166900](#) [F258300-B](#)
[F358300-B](#) [F407400](#) [F444110](#) [F487000](#) [F509500B-B](#) [827153-1](#) [8N1515-32-24P](#) [9-1326729-8](#) [925474-1](#) [928905-1](#) [964562-4](#) [968782-1](#)
[GT17SA-8DS-HU](#) [98891-1012](#) [98947-1016](#) [12004147](#) [12004475-L](#) [12010290](#) [12010309-B](#) [12015454](#) [12020219-B](#) [12041318-B](#) [12052225-](#)
[L](#) [12052466](#) [12064869](#) [12004327-B](#) [12015308](#) [12015384](#) [12015909](#) [1-21030-1](#) [12041254](#) [12041318](#) [12047946-B](#) [12047957](#) [12047957-L](#)
[12059473](#) [12066261](#) [12110546](#) [12110546-B](#)