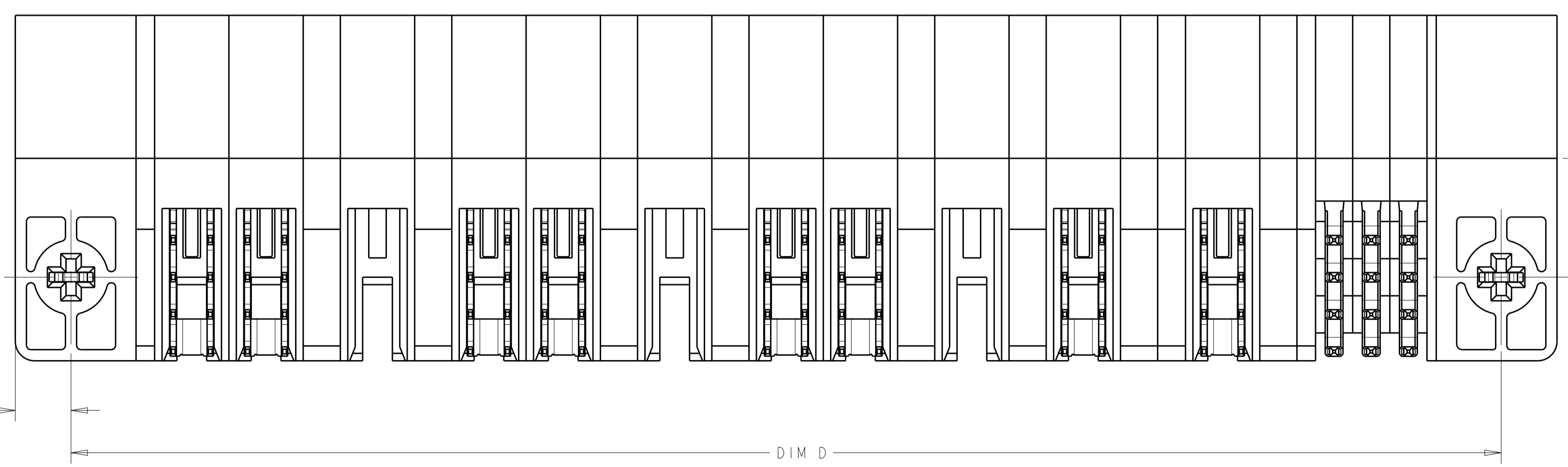
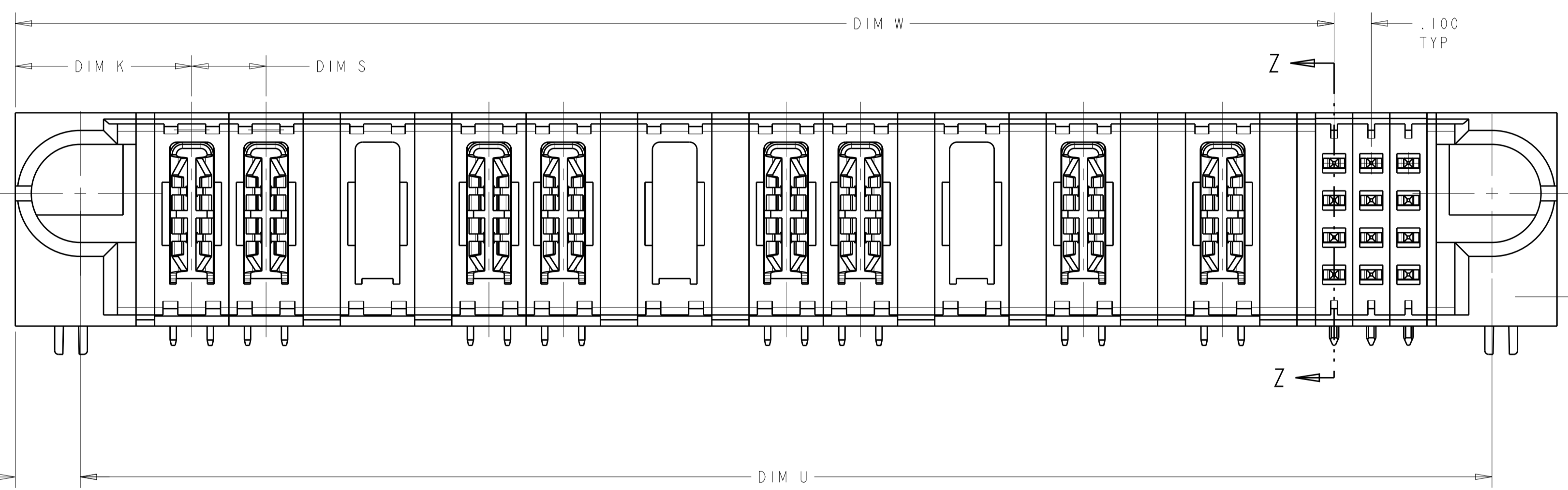
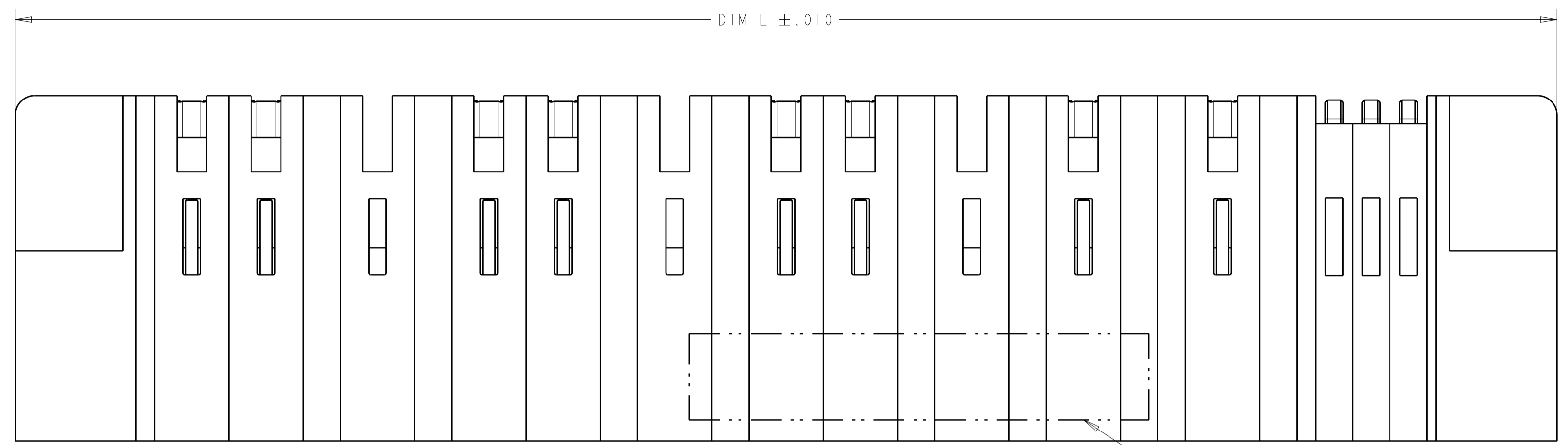
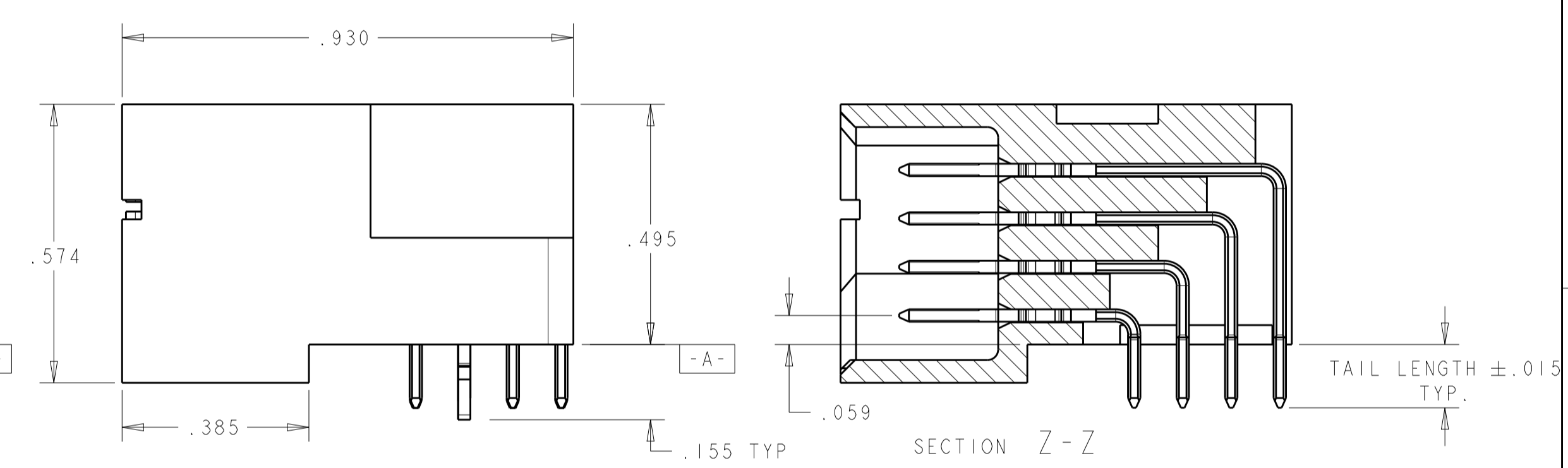


LOC		DIST		REVISIONS			
GP	00	P	LTH	DESCRIPTION	DATE	DWN	APVD
		E8		RELEASE 2-3	10AUG2014	CZ	SZ
		E9		ADD NEW DASH NUMBER 3-0	19AUG2014	CZ	SZ



- 1 "AMP" TRADEMARK, PART NUMBER, AND DATE CODE TO BE MARKED IN AREA SHOWN
- 2 MATERIAL:
HOUSING - GLASS FILLED HIGH TEMP THERMO PLASTIC, UL94 V-0
SIGNAL CONTACT - COPPER ALLOY
POWER CONTACT - HIGH CONDUCTIVITY COPPER ALLOY
- 3 CONTACT PLATING: NOBLE METAL PLATING ON CONTACT FUNCTIONAL AREA OF POWER AND SIGNAL CONTACTS.
- 4 MECHANICAL CONNECTOR KEEP OUT ZONE.
- 5 DATUM AND BASIC DIMENSIONS ESTABLISHED BY CUSTOMER.
- 6 PCB - ALL HOLES DIAMETERS ARE FINISHED HOLE SIZES.
- 7 PCB - .0453±.0010 DRILLED HOLES PLATED WITH .0003 MIN. Sn OVER .001 TO .003 CU PLATING TO ACHIEVE A .040±.003 DIA HOLE.
- 8 NOT RELEASED FOR PRODUCTION
- 9 VARIABLE DIMENSIONS SHOWN ON VIEW (SHEET 2)



THIS DRAWING IS A CONTROLLED DOCUMENT. DWN: R. GRZYBOWSKI 02FEB05
 CHK: M. PERCHERKE 02FEB05

STE TE Connectivity

NAME: RIGHT ANGLE HEADER ASSY W/GUIDES MULTI-BEAM XL

PRODUCT SPEC: 108-1973
 APPLICATION SPEC: 114-13038

SIZE: A1 00779 C=6450122
 CAGE CODE: 6450122


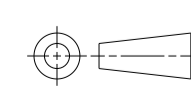
MATERIAL: 2 FINISH: 3

CUSTOMER DRAWING SCALE: 4:1 SHEET 1 OF 10 REV: E9

THIS DRAWING IS UNPUBLISHED. RELEASED FOR PUBLICATION 20
 © COPYRIGHT 20 BY - ALL RIGHTS RESERVED.

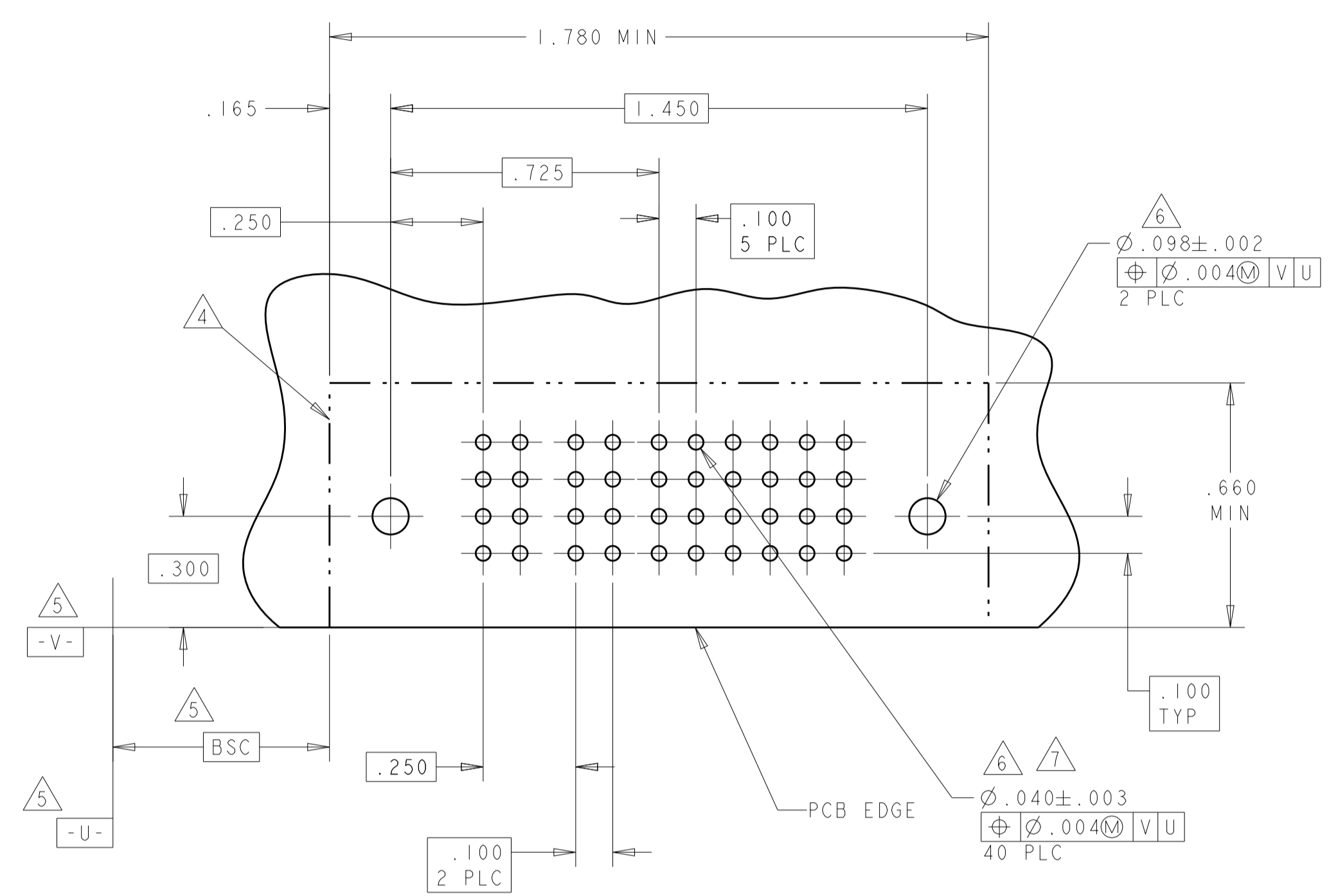
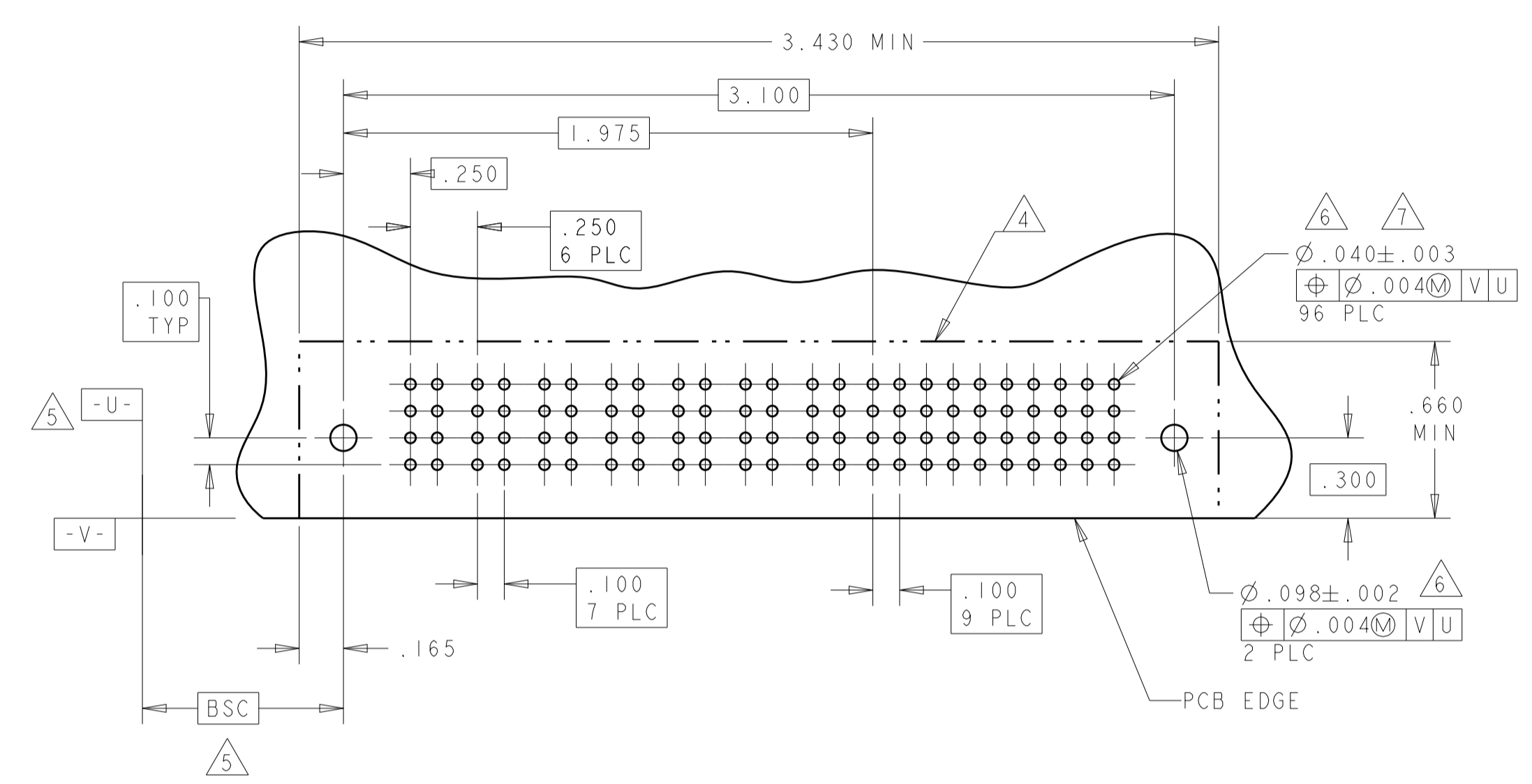
LOC	DIST	REVISIONS					
		P	LTN	DESCRIPTION	DATE	DWN	APVD
GP	00	-	-	SEE SHEET 1	-	-	-

E9	1.700	.250	1.375	1.750	.450	2.050	4P + 16S	3-6450122-0
	2.400	.250	1.875	2.450	.450	2.750	6P + 24S	2-6450122-9
	1.300	.250	1.175	1.350	.450	1.650	3P + 8S	2-6450122-8
	2.050	.250	1.925	2.100	.450	2.400	6P + 8S	2-6450122-7
	4.425	.200	2.200	4.475	.450	4.775	9P + 92S	2-6450122-6
	2.900	.250	2.375	2.950	.450	3.250	8P + 24S	2-6450122-5
	2.700	.250	.875	2.750	.450	3.050	2P + 76S	2-6450122-4
	2.300	.250	1.875	2.350	.450	2.650	6P + 20S	2-6450122-3
	3.200	.250	2.875	3.250	.450	3.550	10P + 16S	2-6450122-2
	1.650	.200	1.225	1.700	.450	2.000	4P + 20S	2-6450122-1
	2.950	.200	2.425	3.000	.450	3.300	10P + 24S	2-6450122-0
	1.800	.250	1.375	1.850	.450	2.150	4P + 20S	1-6450122-9
	2.250	.250	1.975	2.300	.475	2.600	6P + 12S	1-6450122-7
	1.000	.250	.875	1.050	.450	1.350	2P + 8S	1-6450122-6
	1.850	.300	1.325	1.900	.475	2.200	3ACP + 24S	1-6450122-2
	5.900	.250	5.375	5.950	.450	6.250	20P + 24S	1-6450122-1
	1.400	.250	.875	1.450	.450	1.750	2P + 24S	1-6450122-0
	3.050	.250	2.125	3.100	.450	3.400	7P + 40S	6450122-8
	4.425	.250	3.875	4.475	.450	4.775	14P + 24S	6450122-6
	3.800	.250	3.550	3.850	.475	4.150	11P + 12S	6450122-3
	4.600	.250	3.875	4.650	.450	4.950	14P + 32S	6450122-2
	3.800	.250	3.550	3.850	.475	4.150	11P + 12S	6450122-1
	DIM U	DIM S	DIM W	DIM D	DIM K	DIM L	DESCRIPTION	PART NUMBER

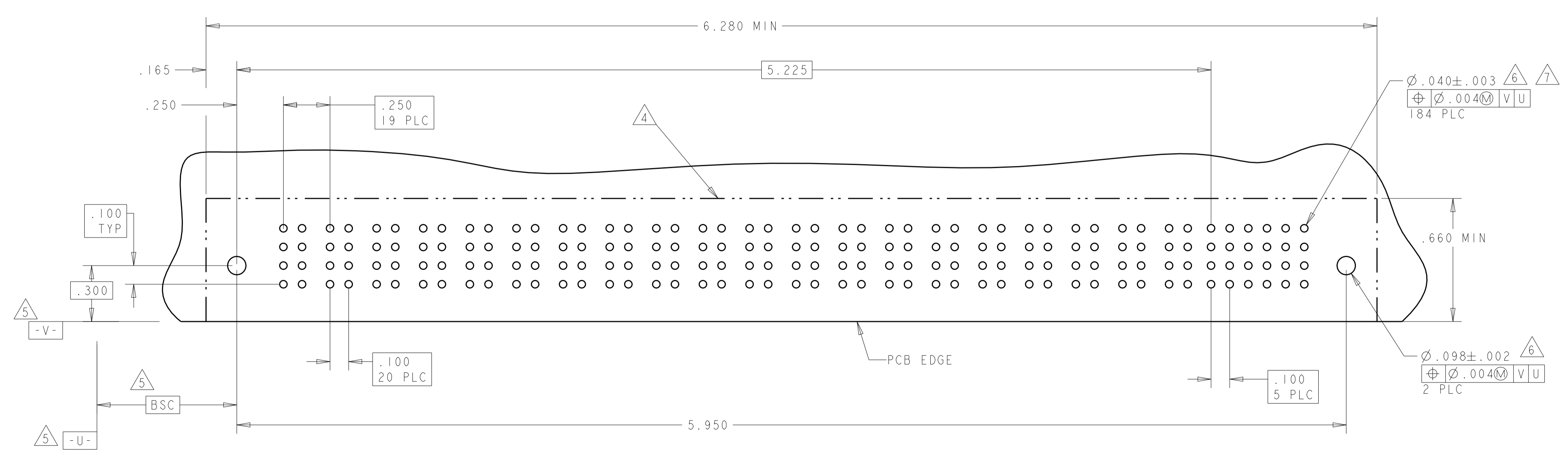
THIS DRAWING IS A CONTROLLED DOCUMENT.		DWN R. GRZYBOWSKI CHK M. PERCHERKE	02FEB05 02FEB05	 TE Connectivity
DIMENSIONS: INCHES	TOLERANCES UNLESS OTHERWISE SPECIFIED:	APVD M. PERCHERKE	NAME RIGHT ANGLE HEADER ASSY W/GUIDES MULTI-BEAM XL	
0 PLC ±. 1 PLC ±.01 2 PLC ±.01 3 PLC ±.005 4 PLC ±.0020 ANGLES ±.2		PRODUCT SPEC 108-1973	APPLICATION SPEC 114-13038	SIZE A100779
MATERIAL	FINISH	WEIGHT	CAGE CODE 6450122	DRAWING NO 6450122
CUSTOMER DRAWING			SCALE 4:1	SHEET 2 OF 10

PART NUMBER	ROWS	POWER							SIGNAL									
		P1	P2	P3	P4	P5	P6	P7	1	2	3	4	5	6	7	8	9	10
6450122-8	D C B A	PM	PM	PM	PM	PM	PM	PM	J	J	J	J	J	J	J	J	J	J
									K	K	K	K	K	K	K	K	K	K
									N	N	N	N	N	N	N	N	N	N
									S	S	S	S	S	S	S	S	S	S
7P + 40S																		

PART NUMBER	ROWS	POWER		SIGNAL					
		P1	P2	1	2	3	4	5	6
1-6450122-0	D C B A	PM	PM	J	J	J	J	J	J
				K	K	K	K	K	K
				N	N	N	N	N	N
				S	S	S	S	S	S
2P + 24S									



PART NUMBER	ROWS	POWER																				SIGNAL					
		P1	P2	P3	P4	P5	P6	P7	P8	P9	P10	P11	P12	P13	P14	P15	P16	P17	P18	P19	P20	1	2	3	4	5	6
1-6450122-1	D C B A	PM	PM	PM	PM	PM	PM	PM	PM	PM	PM	PM	PM	PM	PM	PM	PM	PM	PM	PM	PM	J	J	J	J	J	J
																						K	K	K	K	K	K
																						N	N	N	N	N	N
																						S	S	S	S	S	S
20P + 24S																											

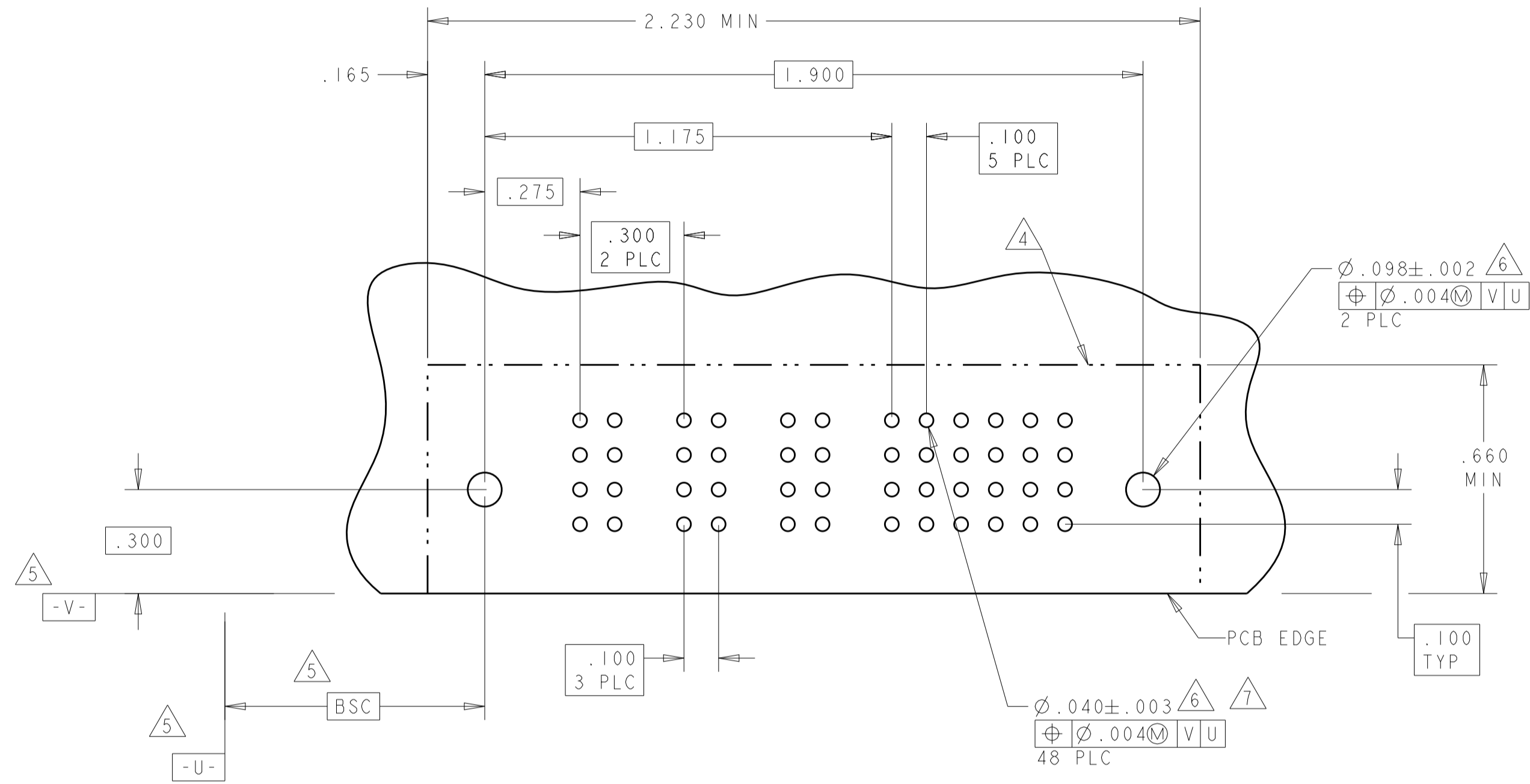


THIS DRAWING IS A CONTROLLED DOCUMENT.

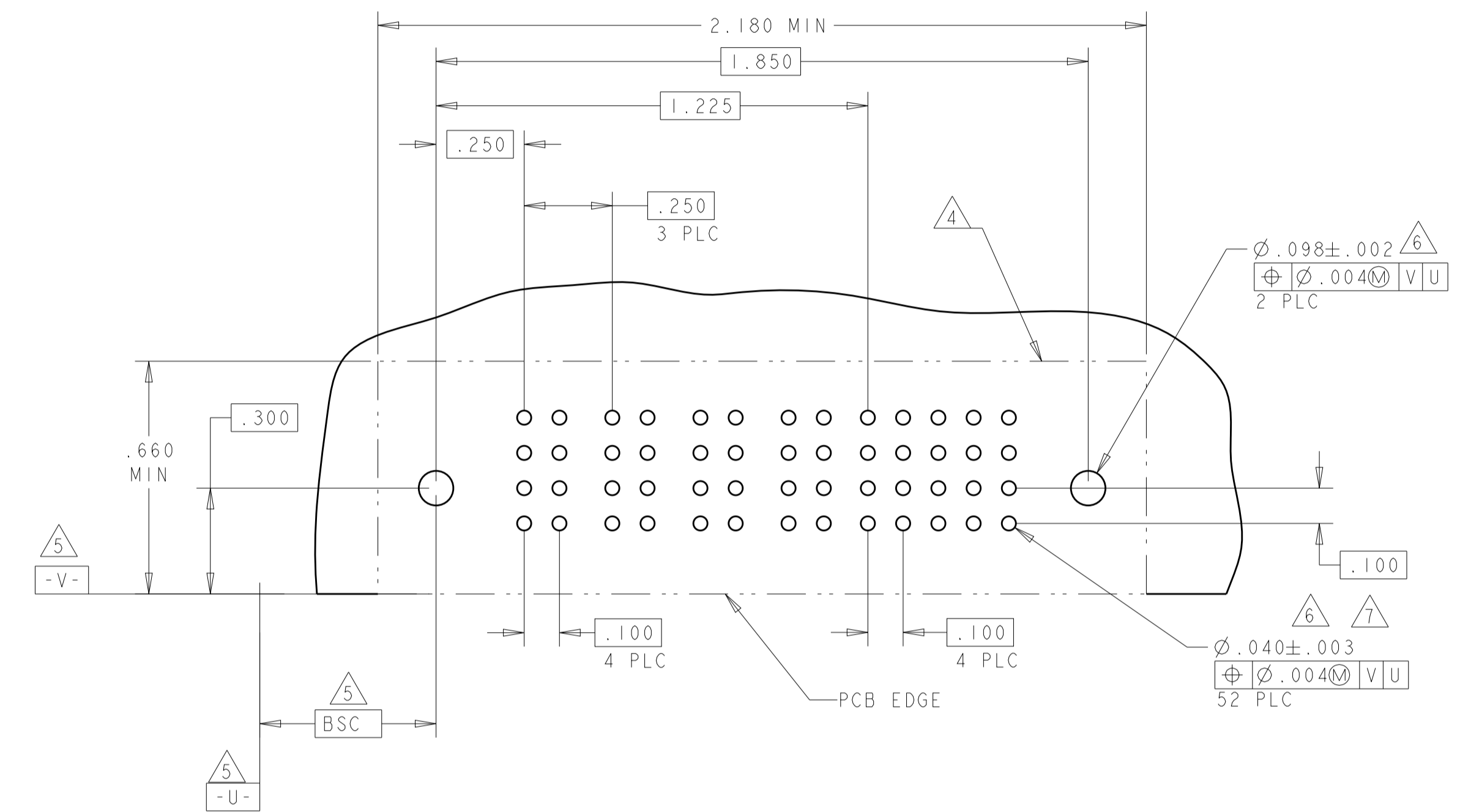
DIMENSIONS: INCHES	TOLERANCES UNLESS OTHERWISE SPECIFIED: 0 PLC ±. 1 PLC ±.01 3 PLC ±.05 4 PLC ±.0020 ANGLES ±.2	OWN: R. GRZYBOWSKI CHK: M. PERCHERKE APVD: M. PERCHERKE	02FEB05 02FEB05	TE Connectivity RIGHT ANGLE HEADER ASSY W/GUIDES MULTI-BEAM XL
MATERIAL:	FINISH:	PRODUCT SPEC: 108-1973	APPLICATION SPEC: 114-13038	
CUSTOMER DRAWING		SCALE: 4:1		SHEET 4 OF 10

LOC	DIST	REVISIONS			
GP	00	REV	DATE	BY	APPV
		1			
		2			
		3			
		4			
		5			
		6			
		7			
		8			
		9			
		10			

PART NUMBER	ROWS	POWER			SIGNAL						
		P1	P2	P3	1	2	3	4	5	6	
1-6450122-2	D	PM	PM	PM	J	J	J	J	J	J	
	C				K	K	K	K	K	K	
	B				N	N	N	N	N	N	
	A				S	S	S	S	S	S	
3ACP + 24S											

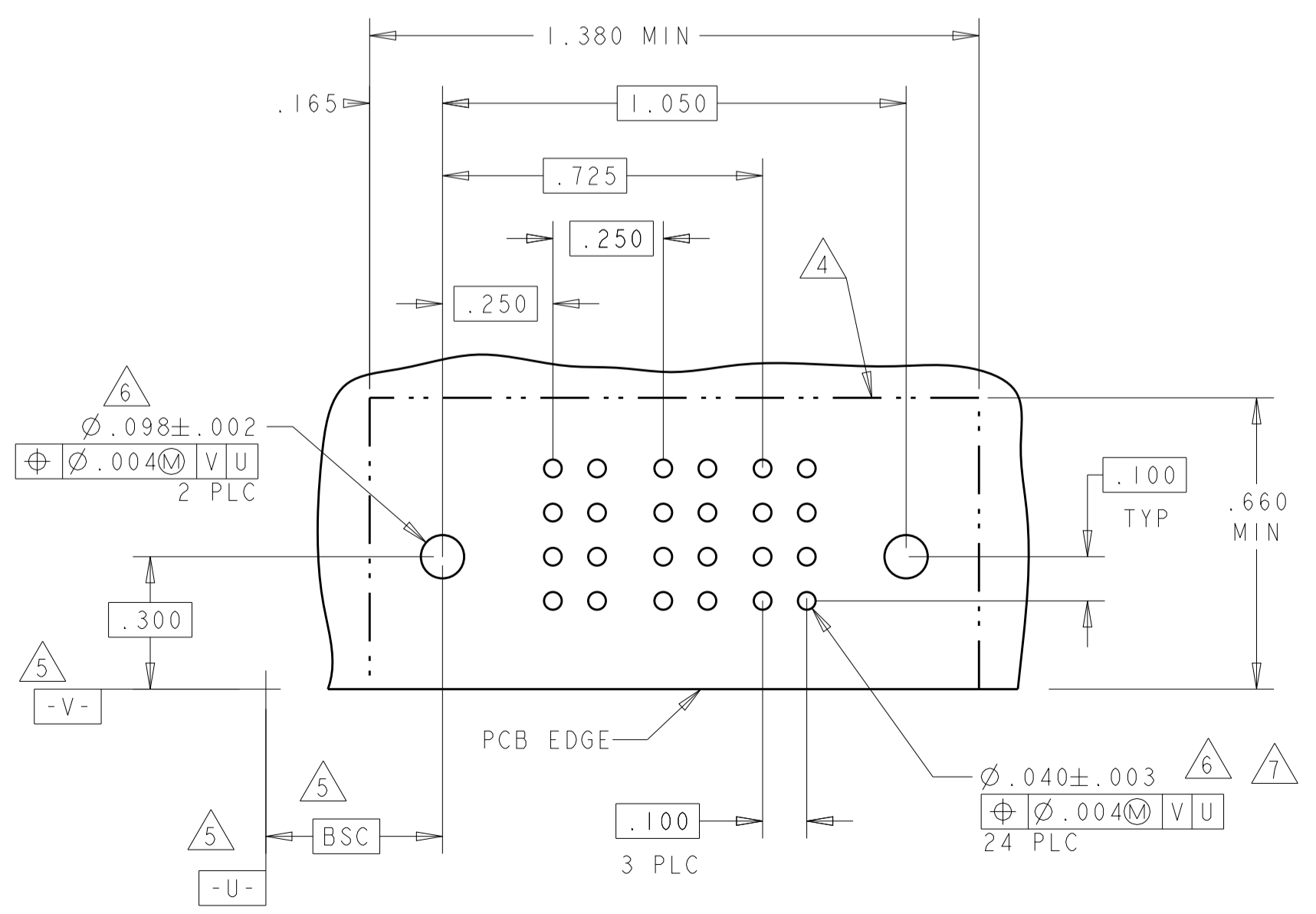


PART NUMBER	ROWS	POWER				SIGNAL					
		P1	P2	P3	P4	1	2	3	4	5	
1-6450122-9	D	PM	PM	PM	PM	J	J	J	J	J	
	C					K	K	K	K	K	
	B					N	N	N	N	N	
	A					S	S	S	S	S	
4P + 20S											

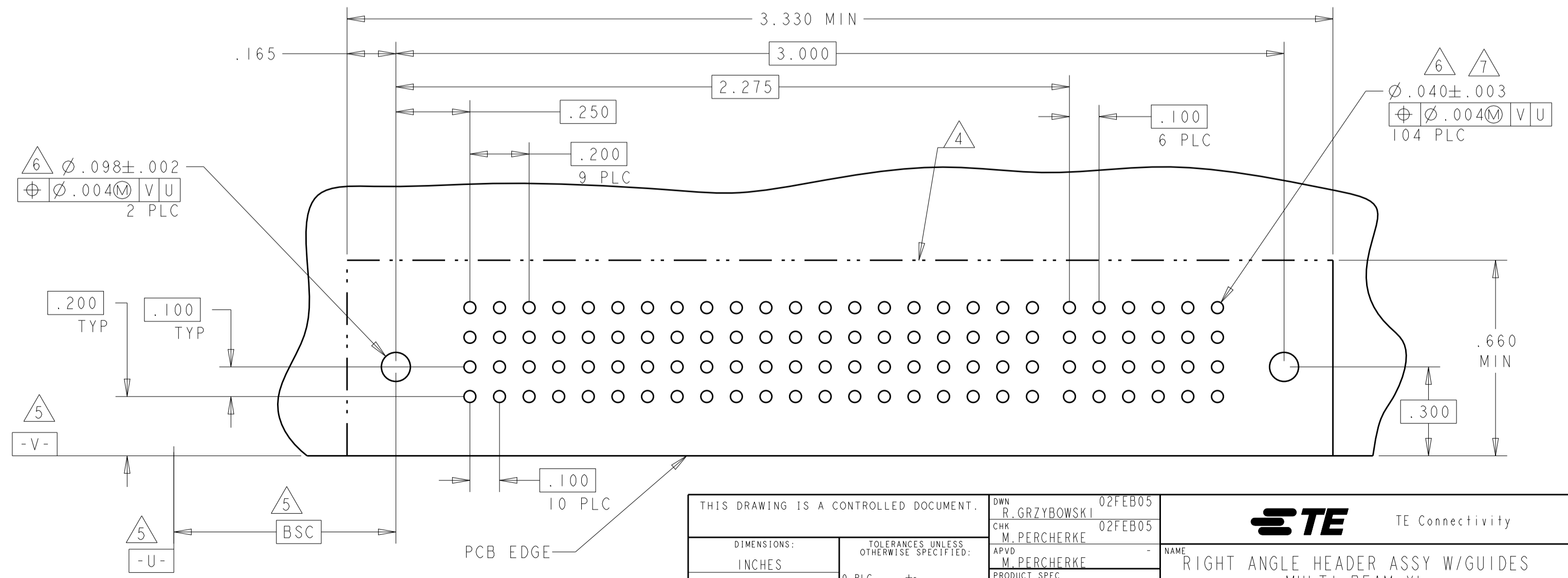


NO CONTACTS LOADED

PART NUMBER	ROWS	POWER		SIGNAL	
		P1	P2	1	2
1-6450122-6	D	PM	PM	J	J
	C			K	K
	B			N	N
	A			S	S
2P + 8S					



PART NUMBER	ROWS	POWER										SIGNAL						
		P1	P2	P3	P4	P5	P6	P7	P8	P9	P10	1	2	3	4	5	6	
2-6450122-0	D	PM	PM	PM	PM	PM	PM	PM	PM	PM	PM	J	J	J	J	J	J	
	C											K	K	K	K	K	K	K
	B											N	N	N	N	N	N	N
	A											S	S	S	S	S	S	S
10P + 24S																		



THIS DRAWING IS A CONTROLLED DOCUMENT.

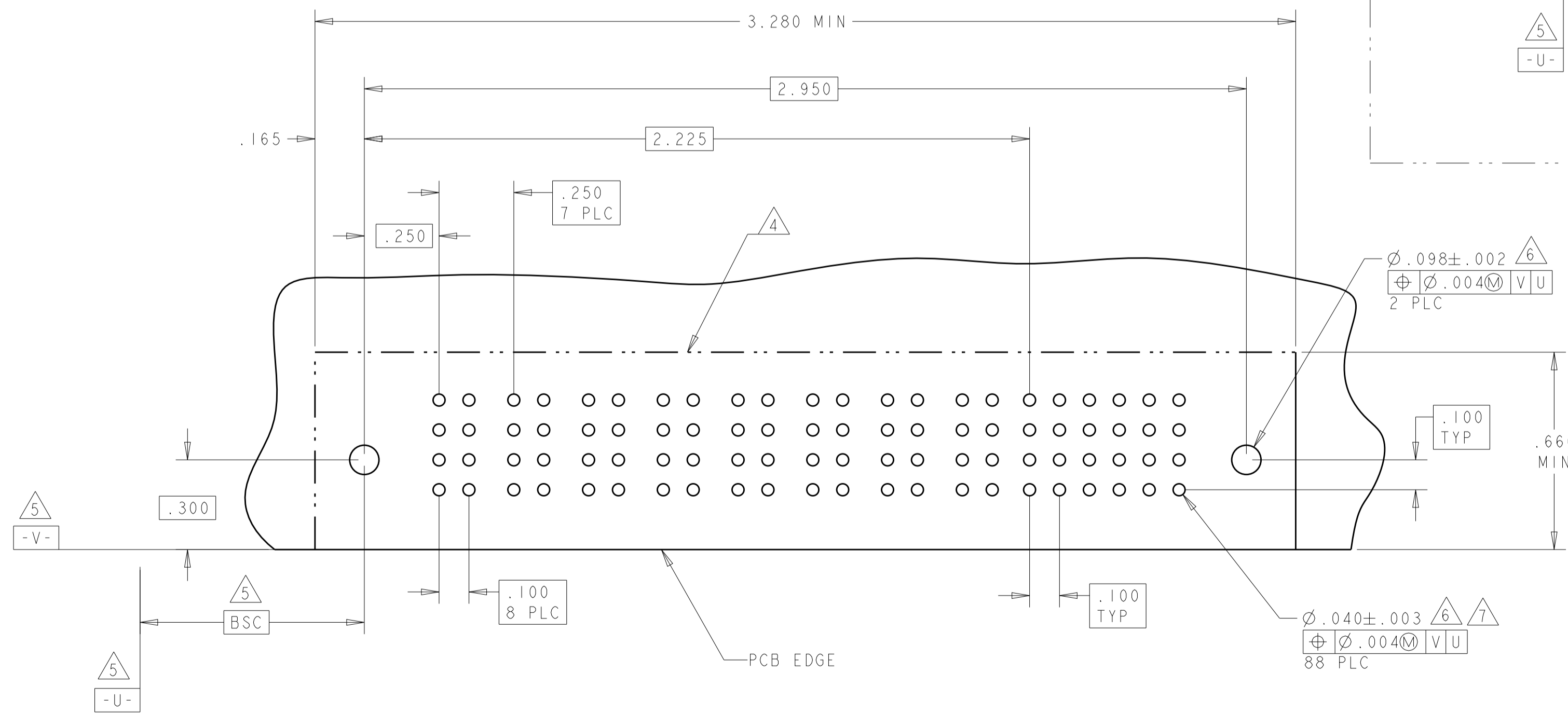
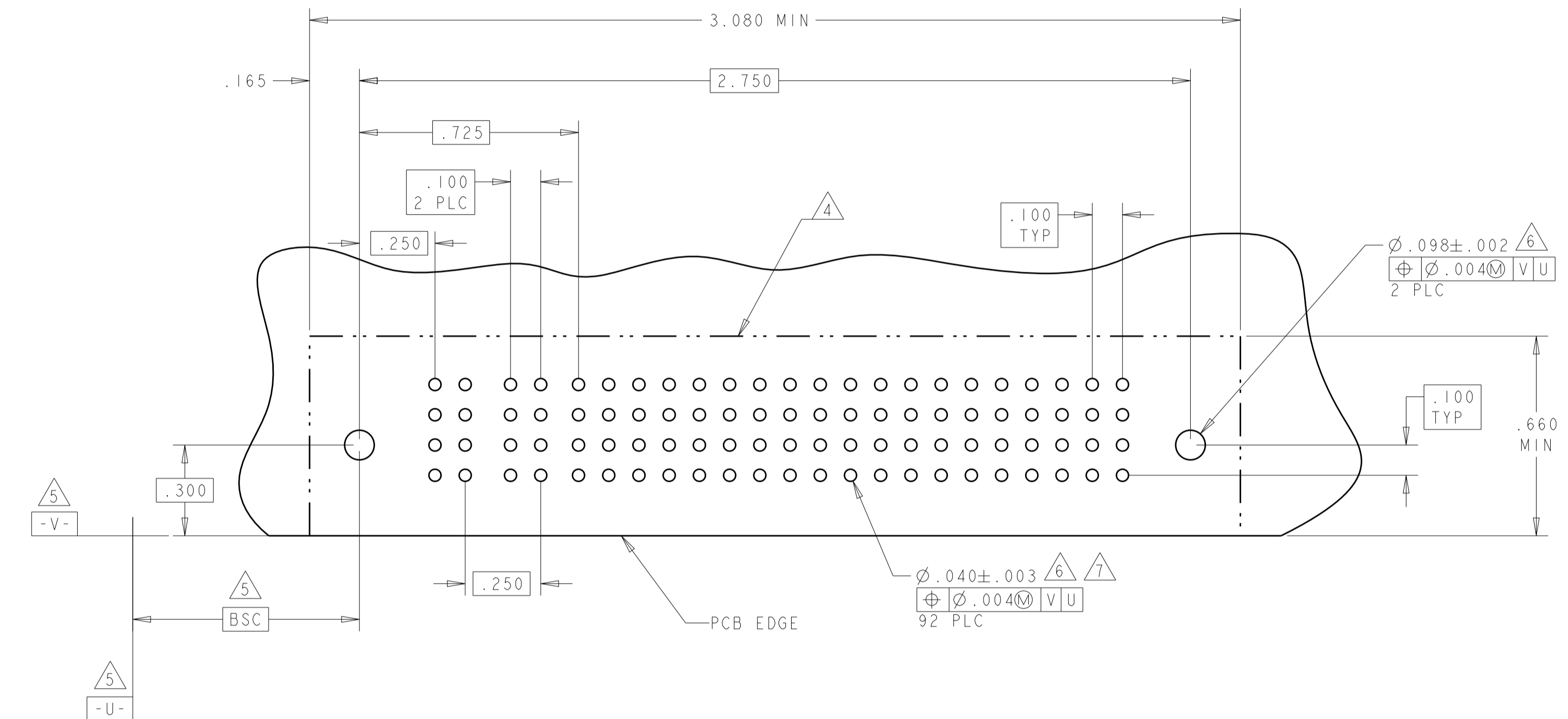
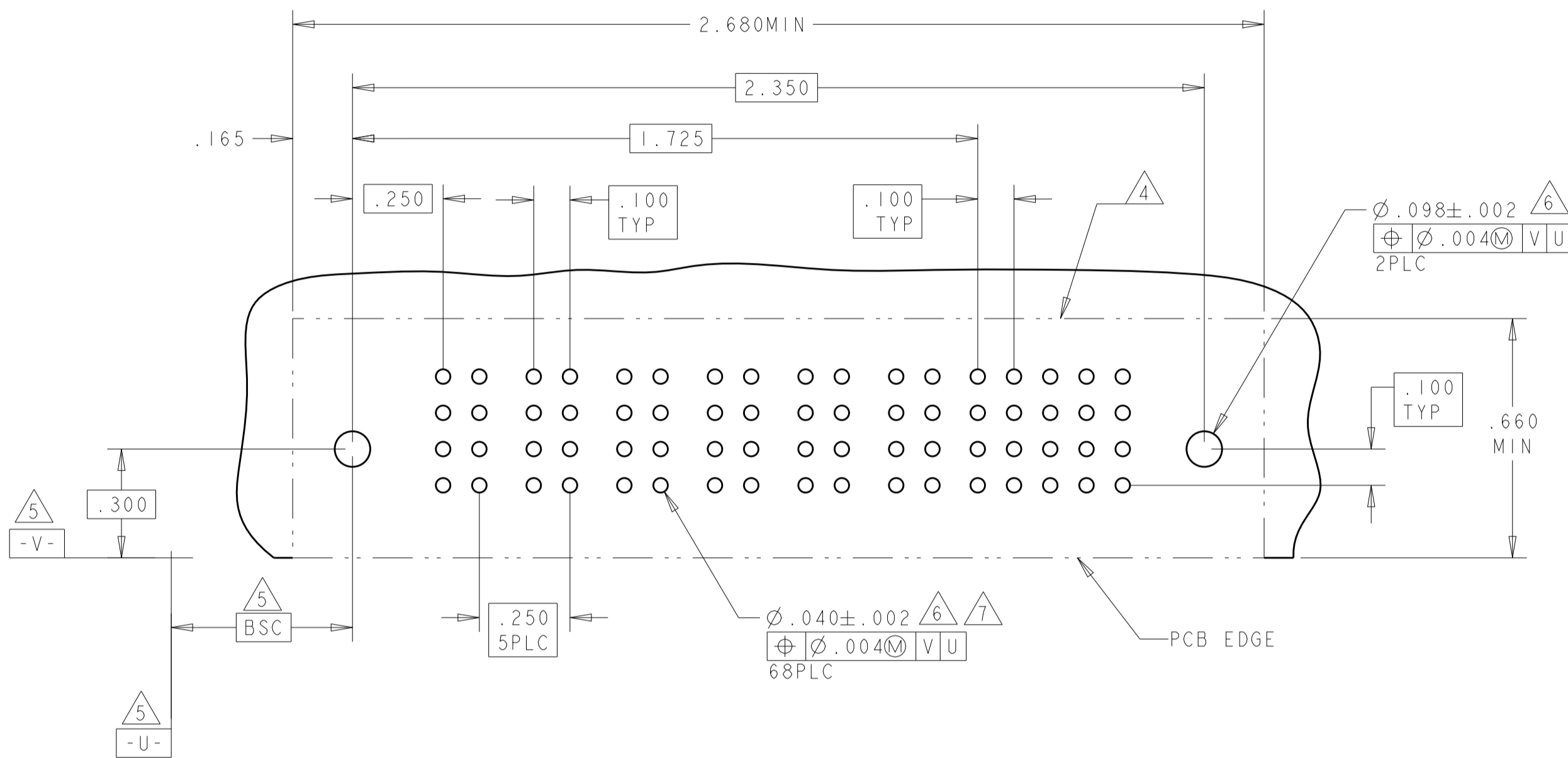
DIMENSIONS:	TOLERANCES UNLESS OTHERWISE SPECIFIED:	OWN: R. GRZYBOWSKI 02FEB05	NAME: RIGHT ANGLE HEADER ASSY W/GUIDES MULTI-BEAM XL
INCHES	0 PLC ±.01	CHK: M. PERCHERKE 02FEB05	PRODUCT SPEC
	1 PLC ±.01	APVD: M. PERCHERKE	108-1973
	2 PLC ±.01	APPLICATION SPEC	114-13038
	3 PLC ±.01	WEIGHT	A100779
	4 PLC ±.01	CUSTOMER DRAWING	SCALE 4:1
	ANGLES ±.002		SHEET 5 OF 10
			REV E9

LOC	DIST	REV	DATE	BY	APPV
GP	00				

REVISIONS		DATE	BY	APPV
1	SEE SHEET 1			

PART NUMBER	ROWS	POWER						SIGNAL				
		P1	P2	P3	P4	P5	P6	1	2	3	4	5
2-6450122-3	D C B A	PM	PM	PM	PM	PM	PM	J	J	J	J	J
		PM	PM	PM	PM	PM	PM	K	K	K	K	K
		PM	PM	PM	PM	PM	PM	N	N	N	N	N
6P + 20S							S	S	S	S	S	

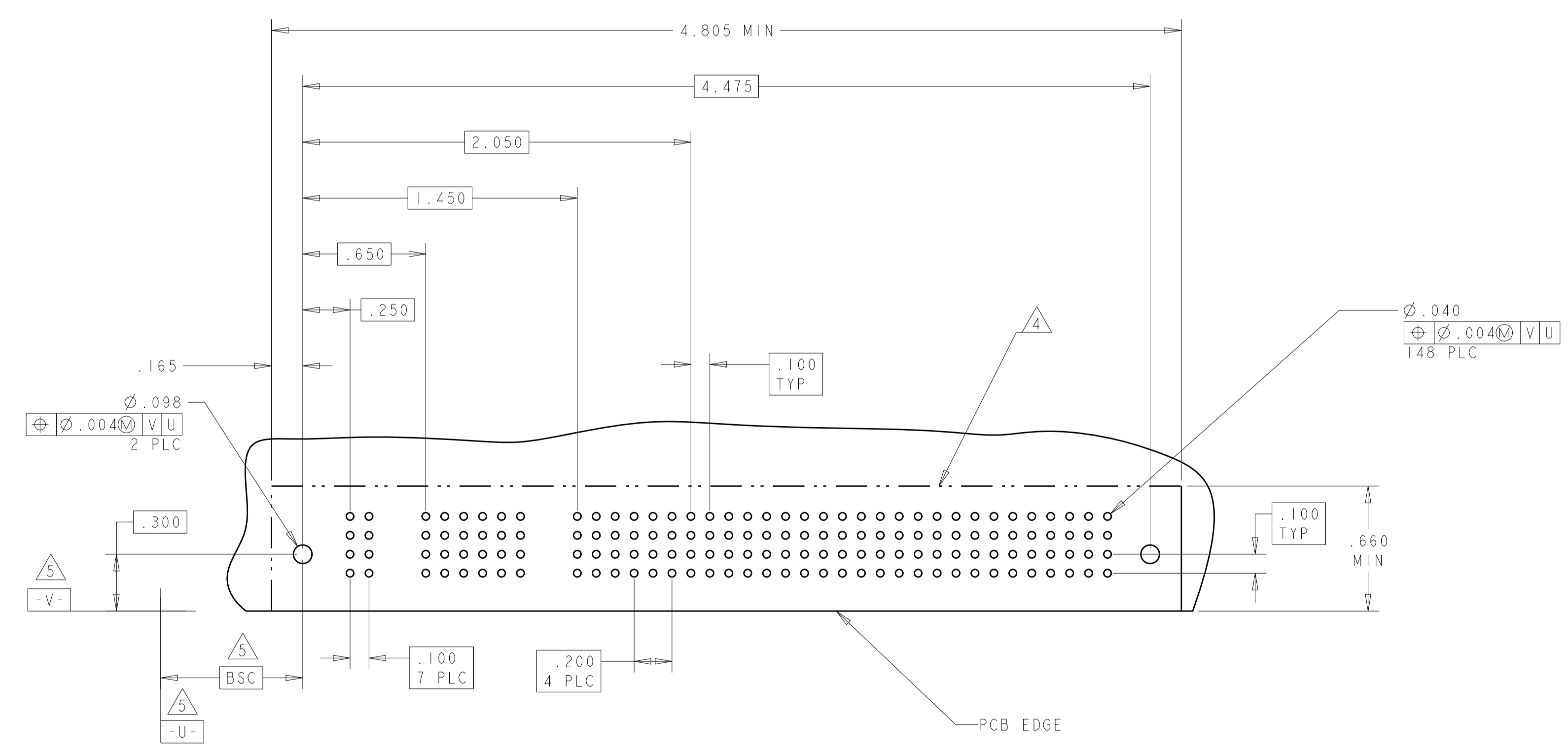
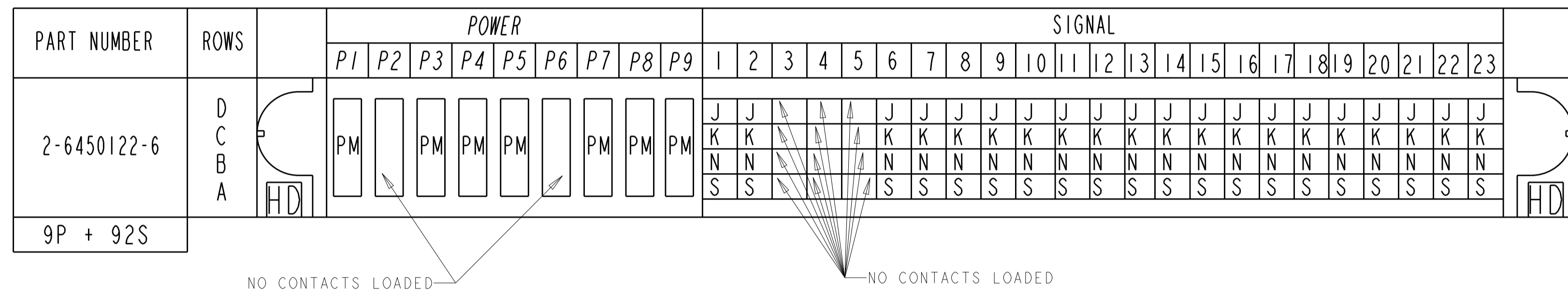
PART NUMBER	ROWS	POWER		SIGNAL																			
		P1	P2	1	2	3	4	5	6	7	8	9	10	11	12	13	14	15	16	17	18	19	
2-6450122-4	D C B A	PA	PA	Z	Z	Z	Z	Z	Z	Z	Z	Z	Z	Z	Z	Z	Z	Z	Z	Z	Z	Z	
		PA	PA	Y	Y	Y	Y	Y	Y	Y	Y	Y	Y	Y	Y	Y	Y	Y	Y	Y	Y	Y	Y
		PA	PA	R	R	R	R	R	R	R	R	R	R	R	R	R	R	R	R	R	R	R	R
2P + 76S																							



PART NUMBER	ROWS	POWER								SIGNAL					
		P1	P2	P3	P4	P5	P6	P7	P8	1	2	3	4	5	6
2-6450122-5	D C B A	PM	PM	PM	PM	PM	PM	PM	PM	J	J	J	J	J	J
		PM	PM	PM	PM	PM	PM	PM	PM	K	K	K	K	K	K
		PM	PM	PM	PM	PM	PM	PM	PM	N	N	N	N	N	N
8P + 24S									S	S	S	S	S	S	

THIS DRAWING IS A CONTROLLED DOCUMENT.		OWN: R. GRZYBOWSKI 02FEB05	 TE Connectivity
DIMENSIONS: INCHES		CHK: M. PERCHERKE 02FEB05	
TOLERANCES UNLESS OTHERWISE SPECIFIED:		APVD: M. PERCHERKE	NAME: RIGHT ANGLE HEADER ASSY W/GUIDES MULTI-BEAM XL
0 PLC ±.01 2 PLC ±.01 3 PLC ±.01 4 PLC ±.005 ANGLES ±.0020		PRODUCT SPEC: 108-1973	SIZE: A1
MATERIAL: FINISH:		APPLICATION SPEC: 114-13038	CAGE CODE: 6450122
		WEIGHT:	RESTRICTED TO: E9
		CUSTOMER DRAWING	SCALE: 4:1 SHEET 7 OF 10

LOC		DIST		REVISIONS			
P	LTN	DESCRIPTION	DATE	DMN	APVD		
-	-	SEE SHEET 1	-	-	-		

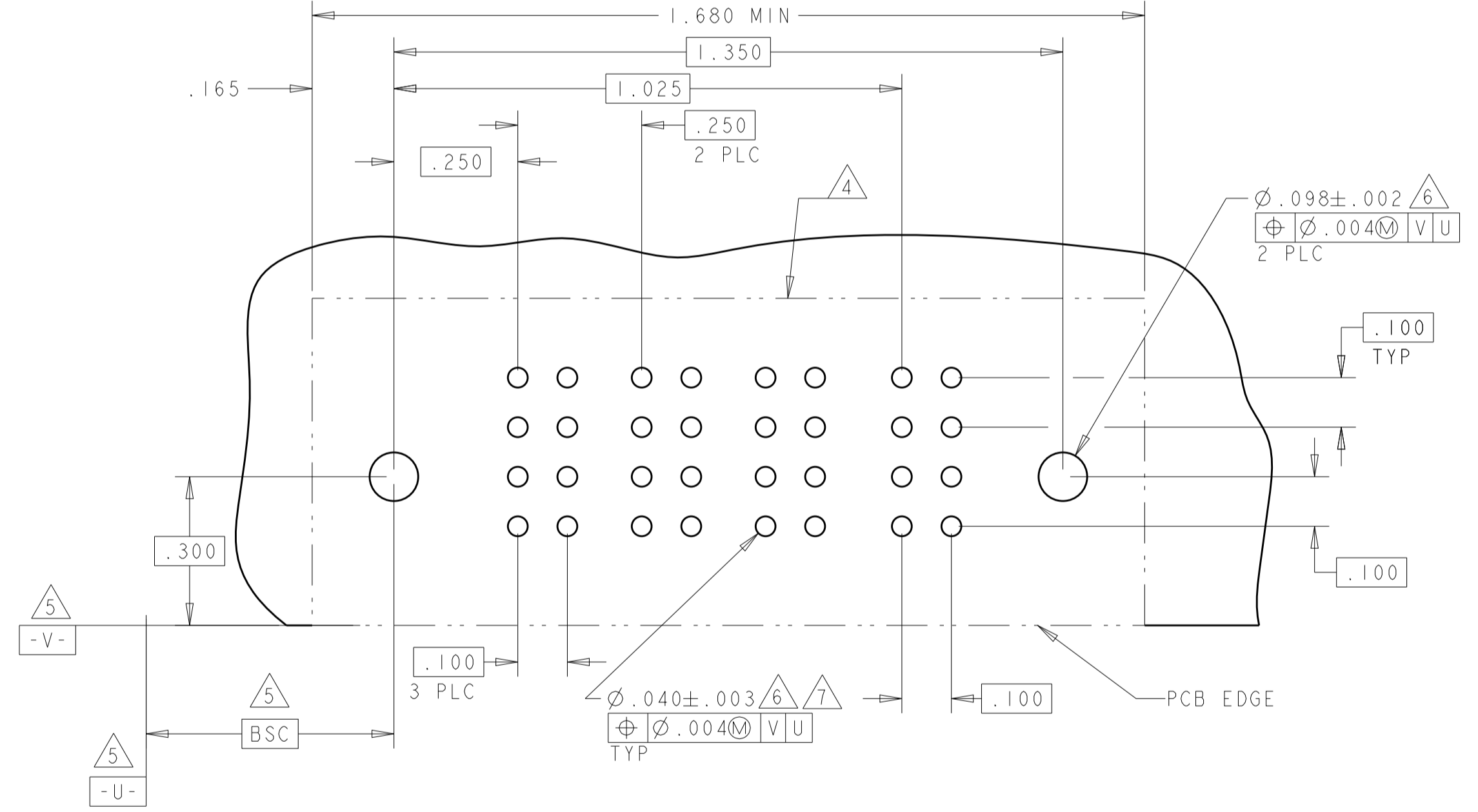
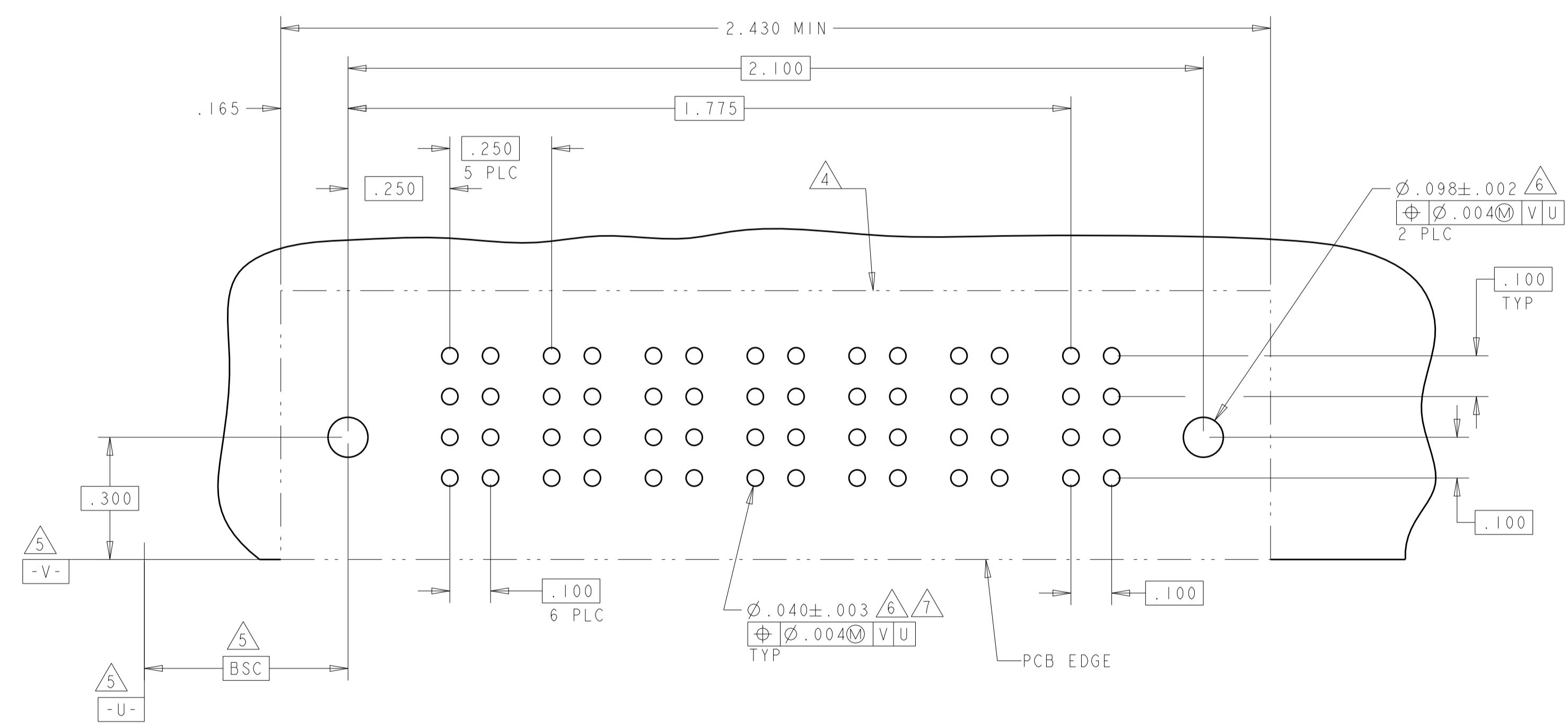


THIS DRAWING IS A CONTROLLED DOCUMENT.		DMN: R. GRZYBOWSKI 02FEB05	TE Connectivity
DIMENSIONS: INCHES		CHK: M. PERCHERKE 02FEB05	
TOLERANCES UNLESS OTHERWISE SPECIFIED: 0 PLC ±. 1 PLC ±.01 2 PLC ±.01 3 PLC ±.005 4 PLC ±.0020 ANGLES ±.2		APVD: M. PERCHERKE	NAME: RIGHT ANGLE HEADER ASSY W/GUIDES MULTI-BEAM XL
MATERIAL: -		FINISH: -	PRODUCT SPEC: 108-1973
SCALE: 4:1		WEIGHT: -	APPLICATION SPEC: 114-13038
SHEET 8 OF 10		RESTRICTED TO: -	SIZE: A1
CUSTOMER DRAWING		SCALE: 4:1	CAGE CODE: 6450122
REV: E9		DATE: -	

LOC		DIST		REVISONS			
GP	00	P	LYR	DESCRIPTION	DATE	DWN	APVD
				SEE SHEET 1			

PART NUMBER	ROWS		POWER						SIGNAL		
			P1	P2	P3	P4	P5	P6	1	2	
2-6450122-7	D C B A	HD	PM	PM	PM	PM	PM	PM	J K N S	J K N S	HD
6P + 8S											

PART NUMBER	ROWS		POWER			SIGNAL		
			P1	P2	P3	1	2	
2-6450122-8	D C B A	HD	PM	PM	PM	J K N S	J K N S	HD
3P + 8S								



THIS DRAWING IS A CONTROLLED DOCUMENT.		DWN: R. GRZYBOWSKI 02FEB05	 TE Connectivity
DIMENSIONS: INCHES		CHK: M. PERCHERKE 02FEB05	
TOLERANCES UNLESS OTHERWISE SPECIFIED:		APVD: M. PERCHERKE	NAME: RIGHT ANGLE HEADER ASSY W/GUIDES MULTI-BEAM XL
0 PLC ± .01	1 PLC ± .01	PRODUCT SPEC: 108-1973	SIZE: 114-13038
2 PLC ± .01	3 PLC ± .005	APPLICATION SPEC: 114-13038	RESTRICTED TO: A100779
4 PLC ± .0020	ANGLES ± .2	WEIGHT: -	SCALE: 4:1
MATERIAL: -	FINISH: -	CUSTOMER DRAWING	SHEET 9 OF 10

X-ON Electronics

Largest Supplier of Electrical and Electronic Components

Click to view similar products for [Power to the Board](#) category:

Click to view products by [TE Connectivity](#) manufacturer:

Other Similar products are found below :

[10131318-08512GRLF](#) [6450171-4](#) [6450552-7](#) [6600323-8](#) [6643429-1](#) [6646040-2](#) [6651939-1](#) [6766604-1](#) [120959-1](#) [1393557-2](#) [1393532-2](#)
[1393532-3](#) [1393532-4](#) [1393557-1](#) [1600812-5](#) [1-6450861-2](#) [1645595-1](#) [1743490-1](#) [1744132-7](#) [1761122-1](#) [1766169-1](#) [1766250-1](#) [18362](#)
[1892109-1](#) [1-967627-6](#) [2226808-1](#) [2-6450860-5](#) [2-6450860-6](#) [2-6450870-0](#) [93003-0502](#) [953552-1](#) [1-6450161-4](#) [1-6450850-6](#) [1645526-2](#) [1-](#)
[6600130-0](#) [1743419-1](#) [1766150-1](#) [2005243-2](#) [211110-1](#) [2-6600130-2](#) [TE34-12-16P-F0](#) [51700-10201602AALF](#) [5-6450830-6](#) [5646956-4](#)
[36662-0005](#) [40585-3000](#) [4-6450830-9](#) [4-6600333-3](#) [51142-0214](#) [10125416-4050LF](#)