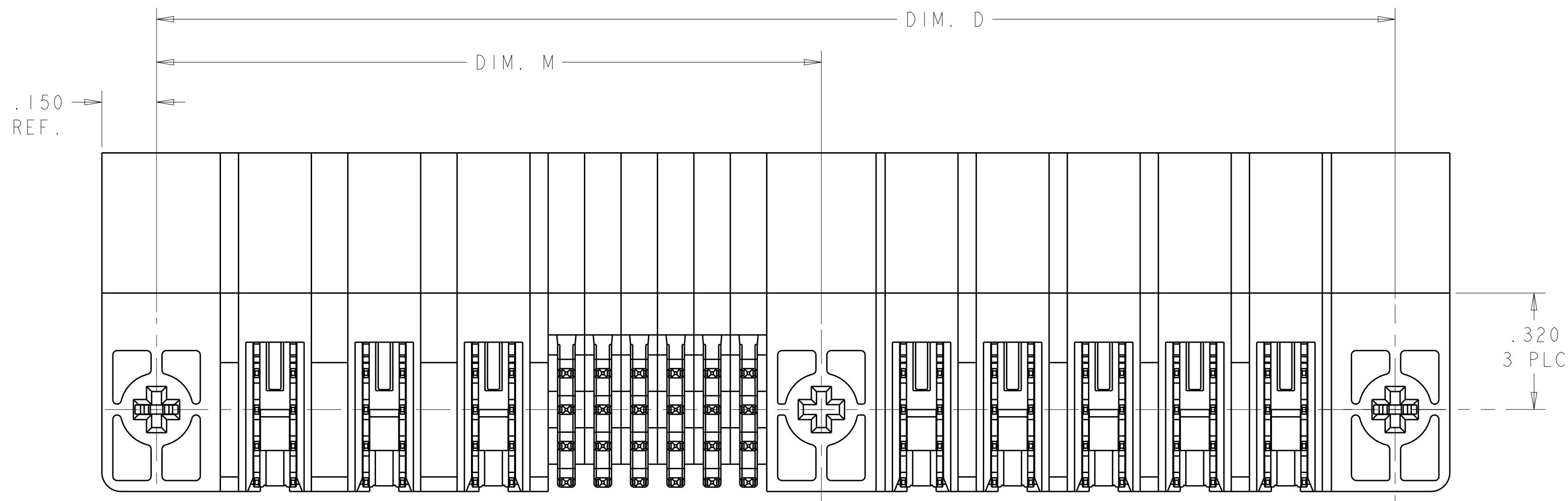
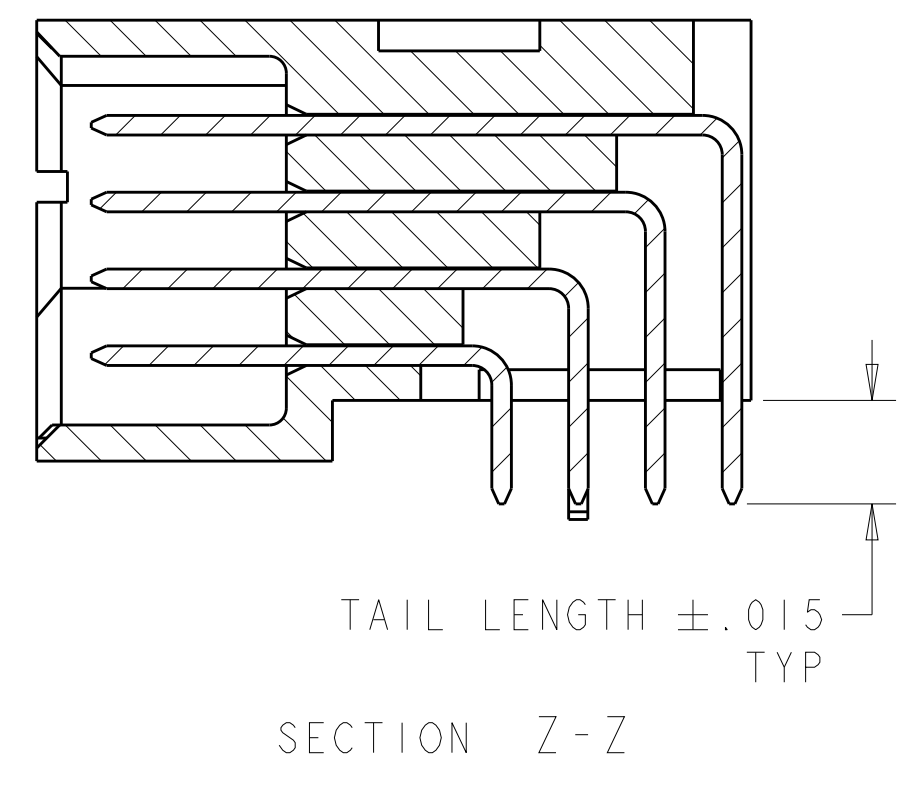
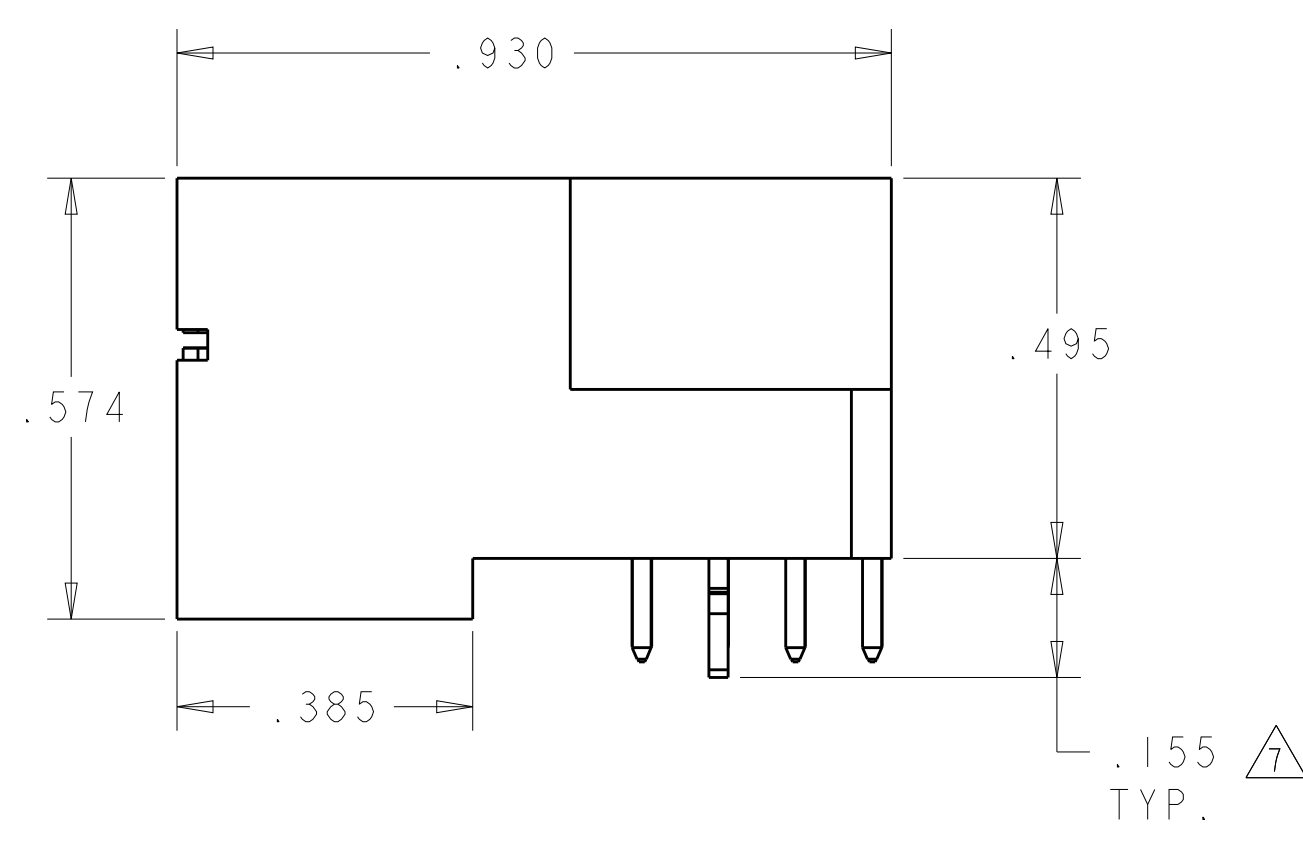
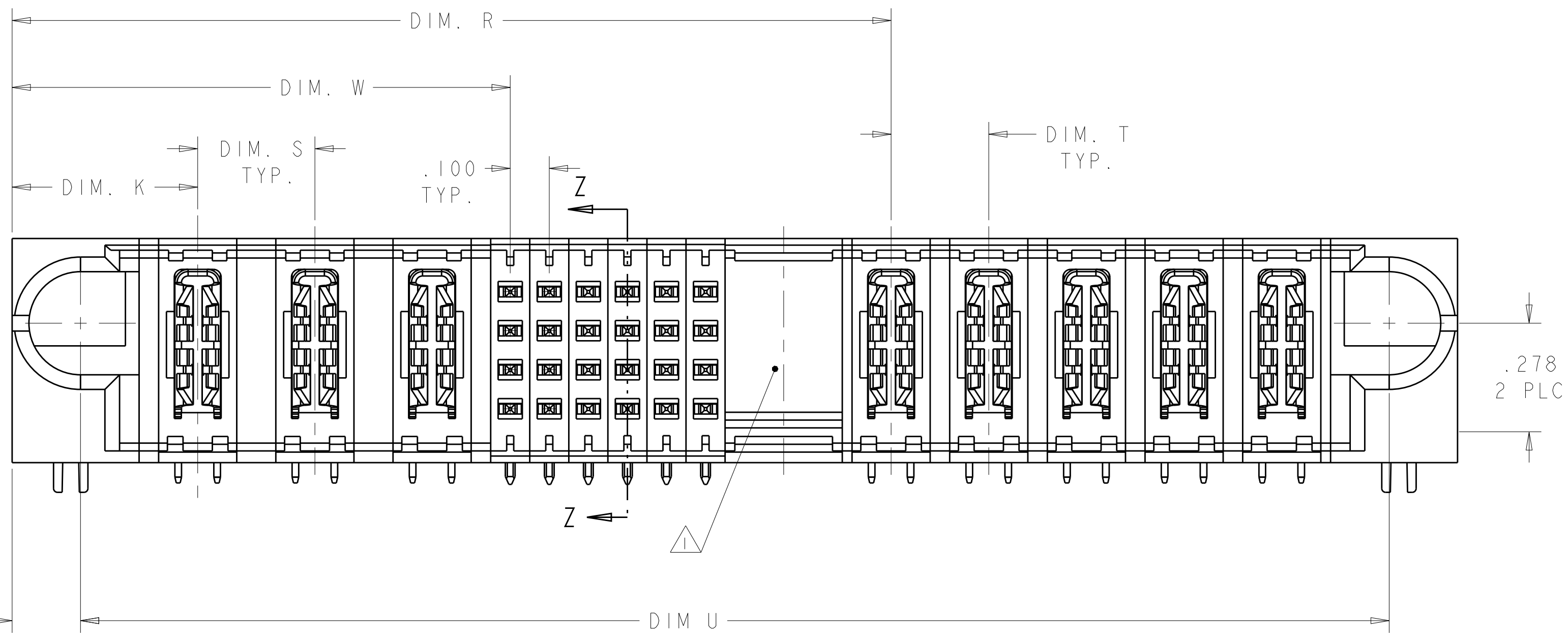
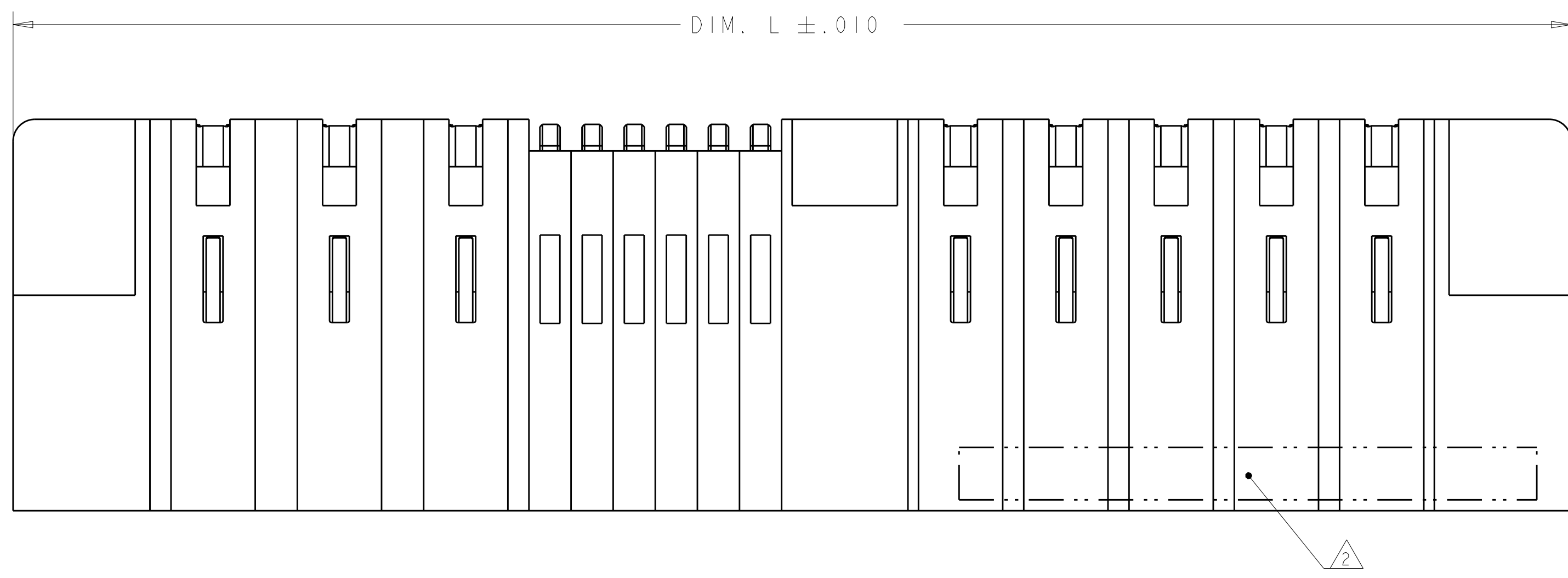


| LOC |     | DIST                  |           | REVISIONS |      |  |  |
|-----|-----|-----------------------|-----------|-----------|------|--|--|
| P   | LTN | DESCRIPTION           | DATE      | DWN       | APVD |  |  |
| L9  |     | REV PER ECR-12-010228 | 07JUN2012 | AY        | SZ   |  |  |
| M1  |     | ADD 5-6450130-3       | 25JUL2012 | OL        | SZ   |  |  |



.175 REF

.150 REF

THIS DRAWING IS A CONTROLLED DOCUMENT.

|                       |   |   |  |
|-----------------------|---|---|--|
| DIMENSIONS:<br>INCHES | TOLERANCES UNLESS OTHERWISE SPECIFIED:<br>0 PLC $\pm .01$<br>1 PLC $\pm .01$<br>2 PLC $\pm .01$<br>3 PLC $\pm .005$<br>4 PLC $\pm .0020$<br>ANGLES $\pm 30^\circ$ | DWN: R.GRZYBOWSKI 4FEB2005<br>CHK: M.PERCHEK 14FEB2005<br>APVD: M.PERCHEK 14FEB2005 | NAME: RIGHT ANGLE HEADER ASSEMBLY W/GUIDES MULTI-BEAM XL |
| MATERIAL: 3           | FINISH: 4   | PRODUCT SPEC: 108-1973<br>APPLICATION SPEC: 114-13038<br>WEIGHT: -                  | SIZE: A1<br>CAGE CODE: C=6450130<br>SCALE: 4:1           |

Customer Drawing SHEET 1 OF 28 REV M2

| LOC | DIST | REV | DATE | BY | APPV |
|-----|------|-----|------|----|------|
| ES  | 00   |     |      |    |      |

- △ OPTIONAL CENTER MODULE WITH Ø.150 THRU HOLE OR HOLD DOWN FEATURE.
- △ "AMP", PART NUMBER, AND DATE CODE TO BE MARKED IN AREA SHOWN.
- △ MATERIAL: HOUSING - GLASS FILLED HIGH TEMP THERMO PLASTIC, UL94 V-0  
SIGNAL CONTACT - COPPER ALLOY  
POWER CONTACT - HIGH CONDUCTIVITY COPPER ALLOY
- △ CONTACT PLATING: NOBLE METAL PLATING ON CONTACT FUNCTIONAL AREA OF SIGNAL CONTACTS AND POWER CONTACTS.
- △ MECHANICAL CONNECTOR KEEP OUT ZONE.
- △ DATUM AND BASIC DIMENSIONS ESTABLISHED BY CUSTOMER.
- △ HOLD DOWN SEATING DEPTH DIMENSION FOR 6450130-4 IS .185 TYP
- △ PCB - ALL HOLE DIAMETERS ARE FINISHED HOLE SIZES.
- △ PCB - .0453 +/- .0010 DRILLED HOLES PLATES WITH .0003 MIN Sn OVER .001 TO .003 Cu PLATING TO ACHIEVE A .040±.003 DIA HOLE.
- △ VARIABLE DIMS. SHOWN ON VIEW

Ⓛ9 PART IS SHEET 27

| DIM U | DIM S | DIM T | DIM R | DIM W | DIM D | DIM M | DIM L | DIM K | DESCRIPTION     | PART NUMBER |
|-------|-------|-------|-------|-------|-------|-------|-------|-------|-----------------|-------------|
| 1.600 | -     | -     | 1.500 | .625  | 1.650 | -     | 1.950 | .450  | 1P + 32S + IP   | 9-6450130-9 |
| 2.400 | .250  | .250  | 1.550 | .875  | 2.450 | -     | 2.750 | .450  | 2P + 24S + 4P   | 9-6450130-8 |
| 2.400 | .250  | .250  | 1.800 | 1.125 | 2.450 | -     | 2.750 | .450  | 3P + 24S + 3P   | 9-6450130-7 |
| 1.300 | -     | -     | 1.200 | .625  | 1.350 | -     | 1.650 | .450  | 1P + 20S + IP   | 9-6450130-6 |
| 2.300 | .250  | .300  | 1.575 | .875  | 2.350 | -     | 2.650 | .450  | 2P + 24S + 3ACP | 9-6450130-5 |
| 2.800 | .250  | .300  | 2.075 | 1.375 | 2.850 | -     | 3.150 | .450  | 4P + 24S + 3ACP | 9-6450130-4 |
| 1.700 | .250  | .250  | 1.350 | .875  | 1.750 | -     | 2.050 | .450  | 2P + 16S + 2P   | 9-6450130-3 |

| DIM U | DIM S | DIM T | DIM R | DIM W | DIM D | DIM M | DIM L | DIM K | DESCRIPTION           | PART NUMBER |
|-------|-------|-------|-------|-------|-------|-------|-------|-------|-----------------------|-------------|
| 2.350 | .250  | .250  | 1.250 | .875  | 2.400 | -     | 2.700 | .450  | 2P + 12S + 5P         | 9-6450130-2 |
| 2.400 | .250  | .250  | 1.800 | 1.125 | 2.450 | -     | 2.750 | .450  | 3P + 24S + 3P         | 9-6450130-0 |
| 1.200 | -     | -     | 1.100 | .625  | 1.250 | -     | 1.550 | .450  | 1P + 16S + 1P         | 8-6450130-9 |
| 1.900 | .250  | .250  | 1.550 | .875  | 1.950 | -     | 2.250 | .450  | 2P + 24S + 2P         | 8-6450130-8 |
| 2.900 | .250  | .250  | 2.550 | .875  | 2.950 | -     | 3.250 | .450  | 2P + 64S + 2P         | 8-6450130-7 |
| 2.400 | .250  | .250  | 1.800 | 1.125 | 2.450 | -     | 2.750 | .450  | 3P + 24S + 3P         | 8-6450130-6 |
| 1.300 | -     | -     | 1.200 | .675  | 1.350 | -     | 1.650 | .450  | 1P + 16S + 1P         | 8-6450130-5 |
| 2.800 | .250  | .250  | 1.700 | 1.125 | 2.850 | -     | 3.150 | .450  | 3P + 20S + 5P         | 8-6450130-4 |
| 2.800 | .250  | .300  | 2.075 | 1.375 | 2.850 | -     | 3.150 | .450  | 4P + 24S + 3ACP       | 8-6450130-2 |
| 2.850 | .250  | .250  | 2.500 | 1.875 | 2.900 | -     | 3.200 | .450  | 6P + 20S + 2P         | 8-6450130-0 |
| 2.600 | .250  | .250  | 2.250 | 1.625 | 2.650 | -     | 2.950 | .450  | 5P + 20S + 2P         | 7-6450130-9 |
| 2.400 | .250  | .250  | 1.800 | 1.125 | 2.450 | -     | 2.750 | .450  | 3P + 24S + 3P         | 7-6450130-8 |
| 4.800 | .250  | .250  | 3.450 | 1.875 | 4.850 | -     | 5.150 | .450  | 6P + 60S + 6P         | 7-6450130-7 |
| 3.050 | .300  | .250  | 1.950 | 1.275 | 3.100 | -     | 3.400 | .475  | 3ACP + 24S + 5P       | 7-6450130-6 |
| 2.400 | .250  | .250  | 1.800 | 1.125 | 2.450 | -     | 2.750 | .450  | 3P + 24S + 3P         | 7-6450130-5 |
| 6.250 | .250  | △10   | 5.050 | 4.375 | 6.300 | -     | 6.600 | .450  | 16P + 24S + 2P + 3ACP | 7-6450130-4 |
| 2.000 | .300  | .250  | 1.650 | 1.325 | 2.050 | -     | 2.350 | .475  | 3ACP + 8S + 2P        | 7-6450130-1 |
| 2.500 | .250  | .250  | 2.150 | .875  | 2.550 | -     | 2.850 | .450  | 2P + 48S + 2P         | 6-6450130-9 |
| 1.900 | .250  | .250  | 1.550 | .875  | 1.950 | -     | 2.250 | .450  | 2P + 24S + 2P         | 6-6450130-7 |
| 2.500 | .250  | .250  | 2.150 | 1.425 | 2.550 | -     | 2.850 | .450  | 4P + 24S + 2P         | 5-6450130-8 |
| 6.300 | △10   | △10   | 3.925 | 3.275 | 6.350 | -     | 6.650 | .425  | 14P + 24S + 12P       | 5-6450130-6 |
| 3.100 | .200  | .200  | 2.225 | 1.375 | 3.150 | -     | 3.450 | .425  | 5P + 32S + 5P         | 5-6450130-5 |
| 2.400 | .200  | .200  | 1.900 | 1.225 | 2.450 | -     | 2.750 | .450  | 4HDP + 24S + 3HDP     | 5-6450130-3 |
| 2.300 | .300  | .250  | 1.950 | 1.275 | 2.350 | -     | 2.650 | .450  | 3ACP + 24S + 2P       | 5-6450130-1 |
| 4.000 | .300  | .300  | 2.675 | 1.925 | 4.050 | -     | 4.350 | .475  | 5ACP + 24S + 5ACP     | 5-6450130-0 |
| 3.000 | .250  | .250  | 2.150 | 1.425 | 3.050 | -     | 3.350 | .450  | 4P + 24S + 4P         | 4-6450130-9 |
| 3.300 | .250  | .250  | 2.450 | 1.375 | 3.350 | -     | 3.650 | .450  | 4P + 40S + 4P         | 4-6450130-8 |
| 3.100 | .200  | .200  | 2.225 | 1.375 | 3.150 | -     | 3.450 | .425  | 5P + 32S + 5P         | 4-6450130-5 |
| 2.100 | .300  | .250  | 1.750 | 1.275 | 2.150 | -     | 2.450 | .475  | 3ACP + 16S + 2P       | 4-6450130-3 |
| 1.900 | .250  | .250  | 1.550 | .875  | 1.950 | -     | 2.250 | .450  | 2P + 24S + 2P         | 4-6450130-2 |
| 2.100 | .200  | .200  | 1.425 | 1.175 | 2.150 | -     | 2.450 | .425  | 4P + 8S + 4P          | 4-6450130-0 |
| 2.100 | .300  | .250  | 1.750 | 1.275 | 2.150 | -     | 2.450 | .475  | 3ACP + 16S + 2P       | 3-6450130-9 |
| 4.675 | .250  | .300  | 3.950 | 3.375 | 4.725 | -     | 5.025 | .450  | 12P + 20S + 3ACP      | 3-6450130-6 |
| 3.500 | .250  | .250  | 2.900 | 1.625 | 3.550 | -     | 3.850 | .450  | 5P + 48S + 3P         | 3-6450130-2 |
| 1.900 | .250  | .250  | 1.550 | .875  | 1.950 | -     | 2.250 | .450  | 2P + 24S + 2P         | 2-6450130-9 |
| 3.250 | .250  | .250  | 2.900 | 1.125 | 3.300 | -     | 3.600 | .450  | 3P + 68S + 2P         | 2-6450130-8 |
| 2.300 | .300  | .250  | 1.950 | 1.275 | 2.350 | -     | 2.650 | .475  | 3ACP + 24S + 2P       | 2-6450130-6 |
| 2.600 | .200  | .200  | 1.925 | 1.175 | 2.650 | -     | 2.950 | .425  | 4HDP + 28S + 4HDP     | 2-6450130-4 |
| 3.200 | .200  | .200  | 2.125 | 1.575 | 3.250 | -     | 3.550 | .425  | 6P + 20S + 6P         | 2-6450130-3 |
| 2.800 | .250  | .300  | 2.075 | 1.375 | 2.850 | -     | 3.150 | .450  | 4P + 24S + 3ACP       | 2-6450130-2 |
| 3.500 | .200  | .200  | 2.225 | 1.775 | 3.550 | -     | 3.850 | .425  | 7P + 16S + 7P         | 2-6450130-1 |
| 5.450 | △10   | △10   | 3.075 | 2.425 | 5.500 | -     | 5.800 | .425  | 10P + 24S + 12P       | 2-6450130-0 |
| 4.400 | .250  | .250  | 4.050 | .875  | 4.450 | -     | 4.750 | .450  | 2P + 124S + 2P        | 1-6450130-9 |
| 4.275 | △10   | .250  | 3.175 | 2.500 | 4.325 | -     | 4.625 | .475  | 2ACP + 6P + 24S + 5P  | 1-6450130-8 |
| 1.900 | .250  | .250  | 1.550 | .875  | 1.950 | -     | 2.250 | .450  | 2P + 24S + 2P         | 1-6450130-7 |
| 3.300 | .300  | .250  | 1.950 | 1.275 | 3.350 | -     | 3.650 | .475  | 3ACP + 24S + 6P       | 1-6450130-4 |
| 4.050 | .250  | -     | 3.950 | .875  | 4.100 | -     | 4.400 | .450  | 2P + 120S + 1P        | 1-6450130-3 |
| 3.250 | .250  | -     | 3.150 | .875  | 3.300 | -     | 3.600 | .450  | 2P + 88S + 1P         | 1-6450130-2 |
| 1.400 | -     | -     | 1.300 | .625  | 1.450 | -     | 1.750 | .450  | 1P + 24S + 1P         | 1-6450130-1 |
| 2.900 | .250  | .250  | 2.550 | .875  | 2.950 | -     | 3.250 | .450  | 2P + 64S + 2P         | 1-6450130-0 |
| 2.550 | .250  | .300  | 1.825 | 1.125 | 2.600 | -     | 2.900 | .450  | 3P + 24S + 3ACP       | 6450130-9   |
| 2.675 | .200  | .200  | 2.375 | 1.650 | 2.725 | -     | 3.025 | .450  | 5P + 24S + 2P         | 6450130-8   |
| 3.650 | .250  | .250  | 2.550 | 1.875 | 3.700 | -     | 4.000 | .450  | 6P + 24S + 5P         | 6450130-7   |
| 2.400 | .250  | .250  | 1.800 | 1.125 | 2.450 | -     | 2.750 | .450  | 3P + 24S + 3P         | 6450130-6   |
| 4.350 | .250  | .250  | 3.500 | 2.625 | 4.400 | -     | 4.700 | .450  | 9P + 32S + 4P         | 6450130-5   |
| 2.800 | .250  | .300  | 2.075 | 1.375 | 2.850 | -     | 3.150 | .450  | 4P + 24S + 3ACP       | 6450130-4   |
| 3.050 | .300  | .250  | 1.950 | 1.275 | 3.100 | -     | 3.400 | .475  | 3ACP + 24S + 5P       | 6450130-3   |
| 2.550 | .300  | .250  | 2.200 | 1.525 | 2.600 | -     | 2.900 | .475  | 3ACP + 1P + 24S + 2P  | 6450130-2   |
| 3.650 | .300  | .250  | 2.550 | 1.275 | 3.700 | -     | 4.000 | .475  | 3ACP + 48S + 5P       | 6450130-1   |

THIS DRAWING IS A CONTROLLED DOCUMENT.

OWNER: R. GRZYBOWSKI 4FEB2005  
 CHK: M. PERCHERKE 14FEB2005  
 APVD: M. PERCHERKE 14FEB2005

DIMENSIONS: INCHES  
 TOLERANCES UNLESS OTHERWISE SPECIFIED:  
 0 PLC ±.01  
 1 PLC ±.01  
 2 PLC ±.01  
 3 PLC ±.005  
 4 PLC ±.002  
 ANGLES ±.002

MATERIAL: FINISH: \*P

DATE: 108-1973  
 APPLICATION SPEC: 114-13038

WEIGHT: Customer Drawing

SCALE: 4:1

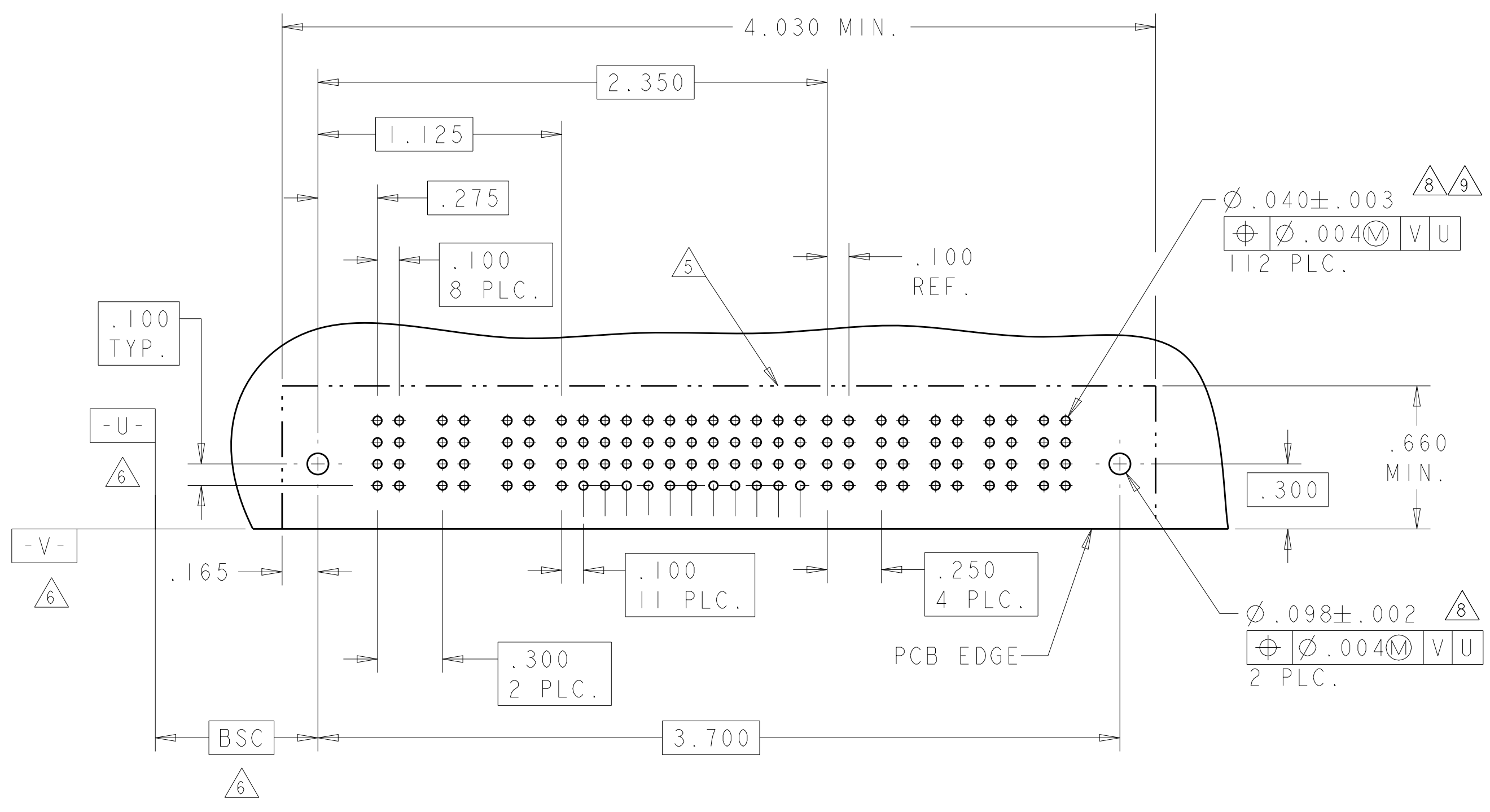
SHEET 2 OF 28

REV M2

TE Connectivity  
 RIGHT ANGLE HEADER ASSEMBLY W/GUIDES MULTI-BEAM XL

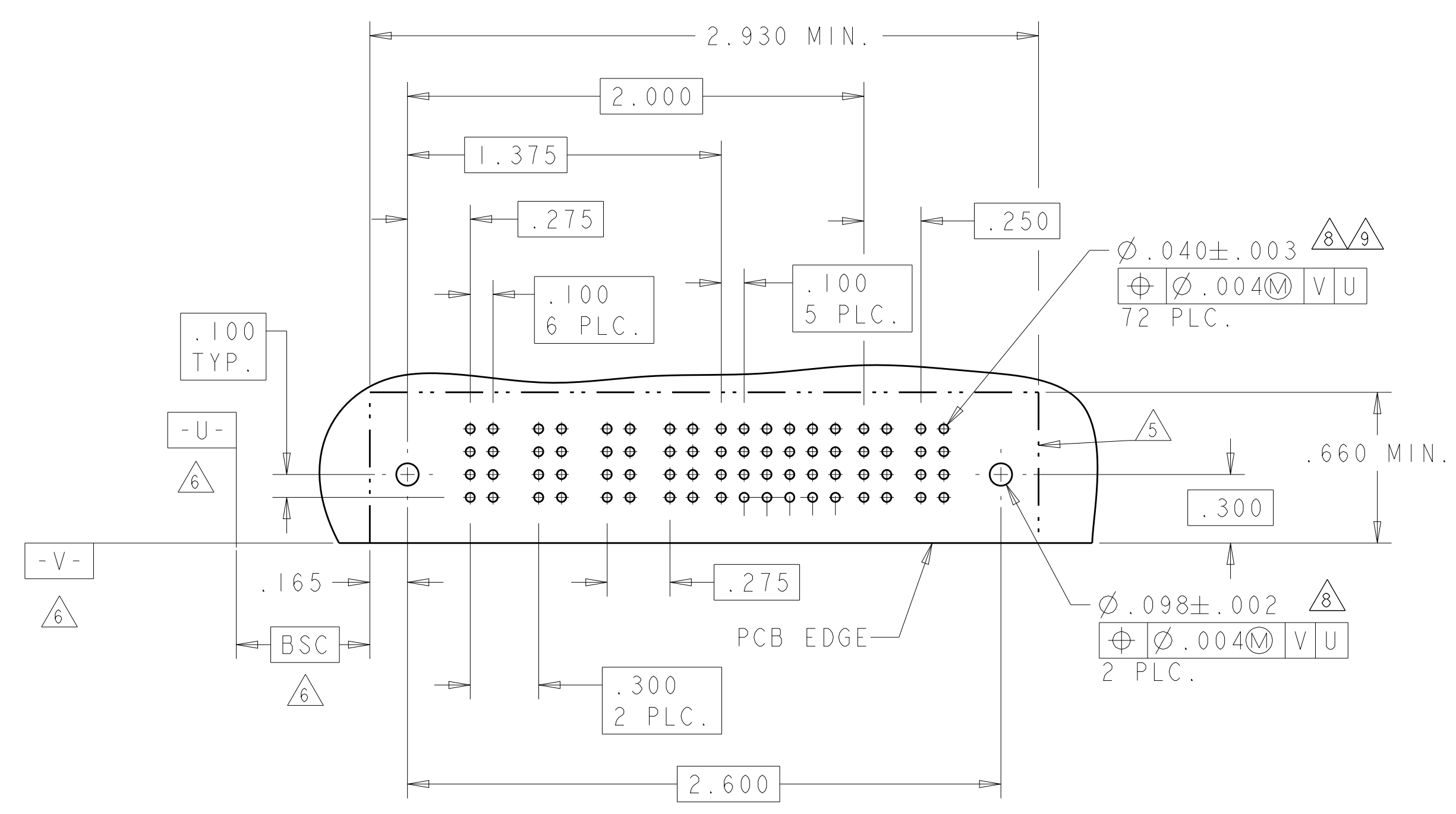
SIZE: A1  
 CAGE CODE: 100779  
 DRAWING NO: 6450130

| PART NUMBER     | ROWS             | POWER |    |    | SIGNAL |   |   |   |   |   |   |   | POWER |    |    |    |    |    |    |    |    |    |    |   |
|-----------------|------------------|-------|----|----|--------|---|---|---|---|---|---|---|-------|----|----|----|----|----|----|----|----|----|----|---|
|                 |                  | P1    | P2 | P3 | 1      | 2 | 3 | 4 | 5 | 6 | 7 | 8 | 9     | 10 | 11 | 12 | P4 | P5 | P6 | P7 | P8 |    |    |   |
| 6450130-1       | D<br>C<br>B<br>A | PM    | PM | PM | J      | J | J | J | J | J | J | J | J     | J  | J  | J  | PM | PM | PM | PM | PM | PM | PM |   |
|                 |                  |       |    |    | K      | K | K | K | K | K | K | K | K     | K  | K  | K  |    |    |    |    |    |    |    |   |
|                 |                  |       |    |    | N      | N | N | N | N | N | N | N | N     | N  | N  | N  |    |    |    |    |    |    |    | N |
|                 |                  |       |    |    | S      | S | S | S | S | S | S | S | S     | S  | S  | S  |    |    |    |    |    |    |    | H |
| 3ACP + 48S + 5P |                  |       |    |    |        |   |   |   |   |   |   |   |       |    |    |    |    |    |    |    |    |    |    |   |

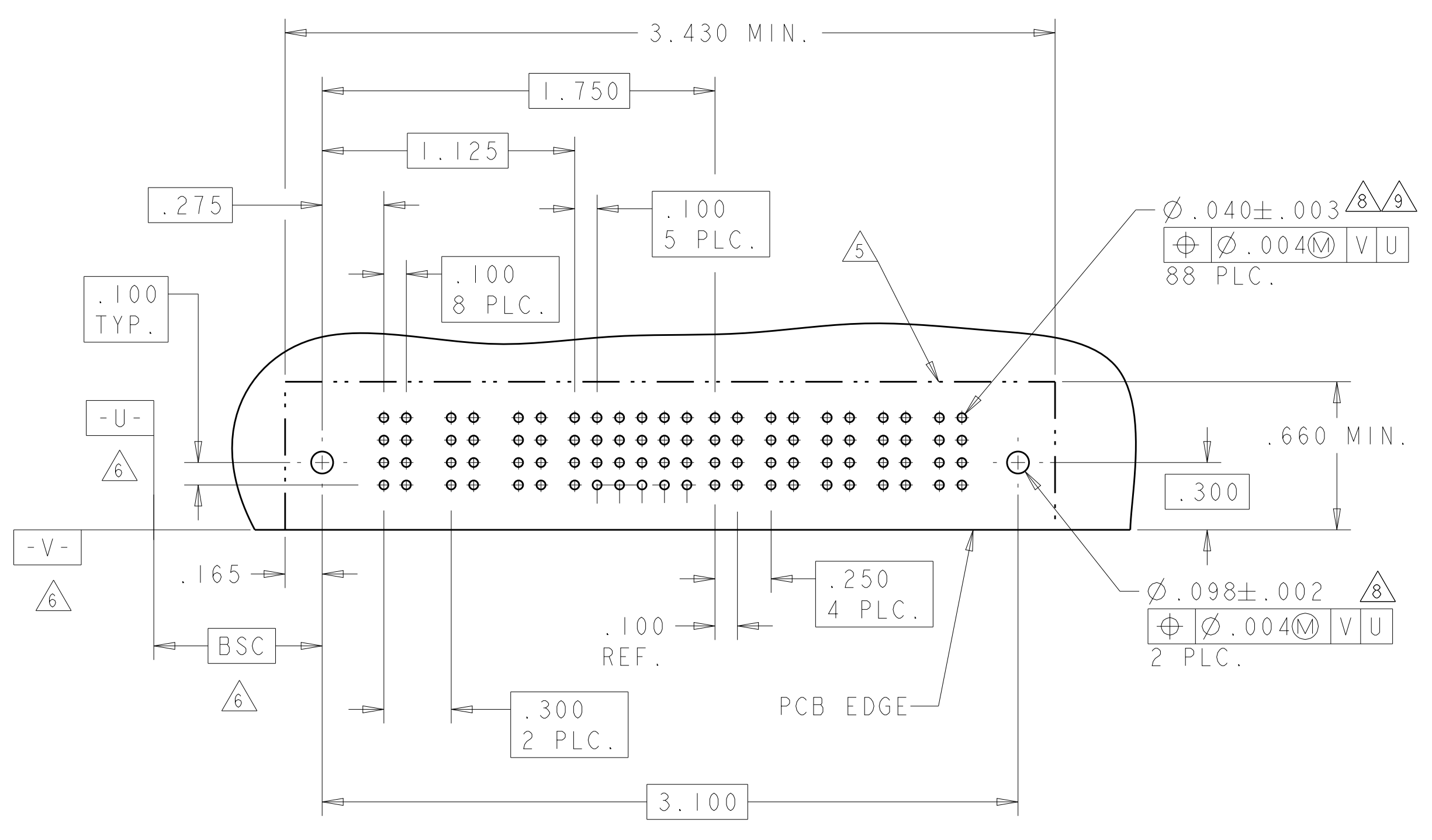


NO CONTACT LOADED

| PART NUMBER          | ROWS             | POWER |    |    |    | SIGNAL |   |   |   |   |   | POWER |    |    |    |
|----------------------|------------------|-------|----|----|----|--------|---|---|---|---|---|-------|----|----|----|
|                      |                  | P1    | P2 | P3 | P4 | 1      | 2 | 3 | 4 | 5 | 6 | P5    | P6 |    |    |
| 6450130-2            | D<br>C<br>B<br>A | PM    | PM | PM | PM | E      | J | J | J | J | E | PM    | PM | PM | PM |
|                      |                  |       |    |    |    | K      | K | F | K | K | K |       |    |    |    |
|                      |                  |       |    |    |    | N      | N | N | N | N | N |       |    |    |    |
|                      |                  |       |    |    |    | H      | S | S | S | S | H |       |    |    |    |
| 3ACP + 1P + 24S + 2P |                  |       |    |    |    |        |   |   |   |   |   |       |    |    |    |



| PART NUMBER     | ROWS             | POWER |    |    | SIGNAL |   |   |   |   |   | POWER |    |    |    |    |    |
|-----------------|------------------|-------|----|----|--------|---|---|---|---|---|-------|----|----|----|----|----|
|                 |                  | P1    | P2 | P3 | 1      | 2 | 3 | 4 | 5 | 6 | P4    | P5 | P6 | P7 | P8 |    |
| 6450130-3       | D<br>C<br>B<br>A | PM    | PM | PM | J      | J | J | J | E | J | PM    | PM | PM | PM | PM | PM |
|                 |                  |       |    |    | K      | K | F | K | K | K |       |    |    |    |    |    |
|                 |                  |       |    |    | N      | N | N | N | N | G |       |    |    |    |    |    |
|                 |                  |       |    |    | S      | S | H | S | S | S |       |    |    |    |    |    |
| 3ACP + 24S + 5P |                  |       |    |    |        |   |   |   |   |   |       |    |    |    |    |    |



| CODE          | TAIL LENGTH | DESCRIPTION |
|---------------|-------------|-------------|
| PM            | .135        | MULTI-BEAM  |
| PA            | .090        | MULTI-BEAM  |
| POWER CONTACT |             |             |

| CODE           | MATING SEQUENCE | TAIL LENGTH | ROW |
|----------------|-----------------|-------------|-----|
| Z              | STD             | .090        | D   |
| Y              | STD             | .090        | C   |
| R              | STD             | .090        | B   |
| O              | STD             | .090        | A   |
| A4             | MLBF            | .090        | D   |
| A3             | MLBF            | .090        | C   |
| A2             | MLBF            | .090        | B   |
| A1             | MLBF            | .090        | A   |
| E              | MLBF            | .135        | D   |
| F              | MLBF            | .135        | C   |
| G              | MLBF            | .135        | B   |
| H              | MLBF            | .135        | A   |
| J              | STD             | .135        | D   |
| K              | STD             | .135        | C   |
| N              | STD             | .135        | B   |
| S              | STD             | .135        | A   |
| SIGNAL CONTACT |                 |             |     |

THIS DRAWING IS A CONTROLLED DOCUMENT.

OWN: R. GRZYBOWSKI 14FEB2005  
CHK: M. PERCHERKE 14FEB2005  
APVD: M. PERCHERKE 14FEB2005

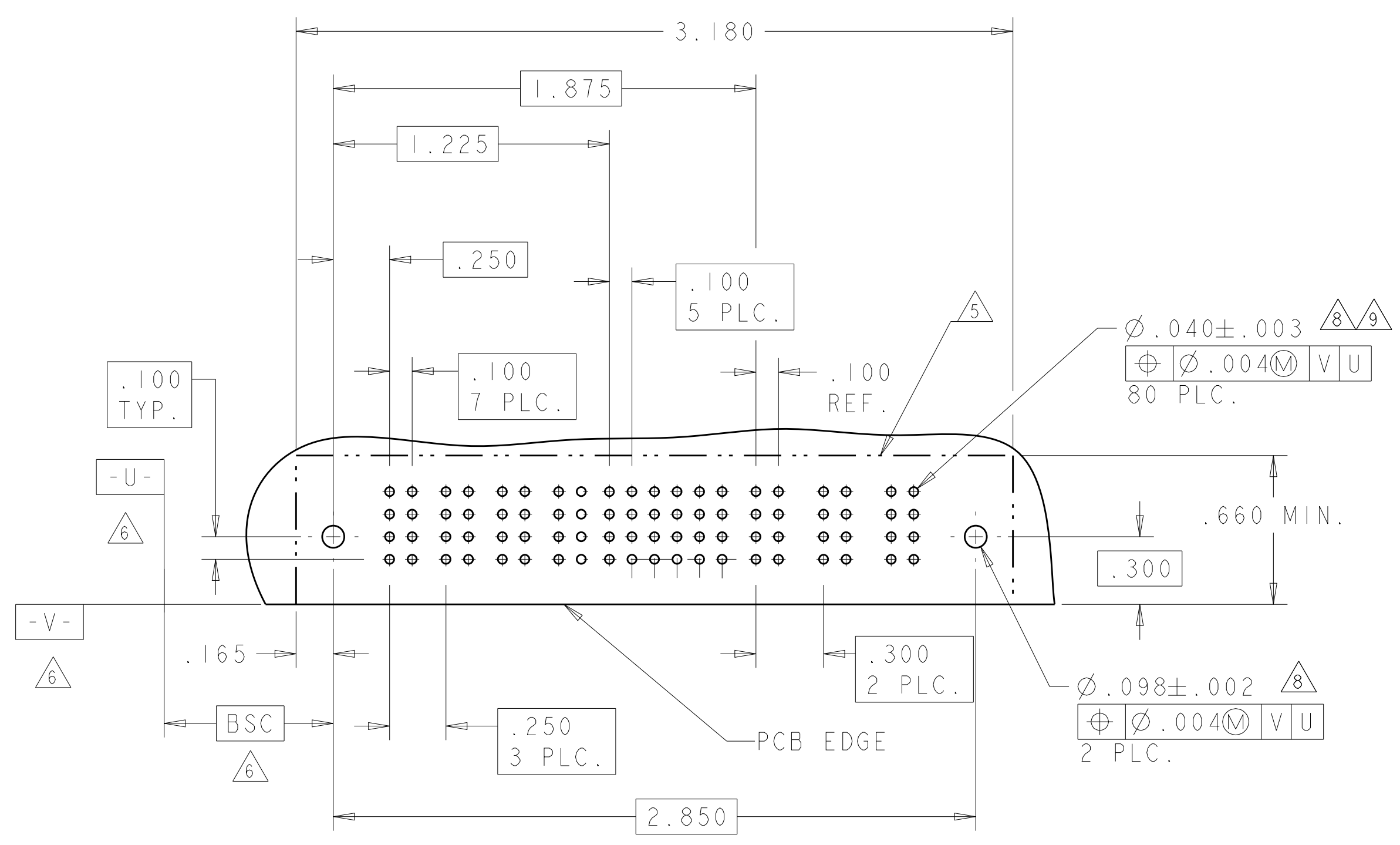
STE TE Connectivity

RIGHT ANGLE HEADER ASSEMBLY W/GUIDES MULTI-BEAM XL

SIZE: CAGE CODE: DRAWING NO: RESTRICTED TO  
A100779C=6450130

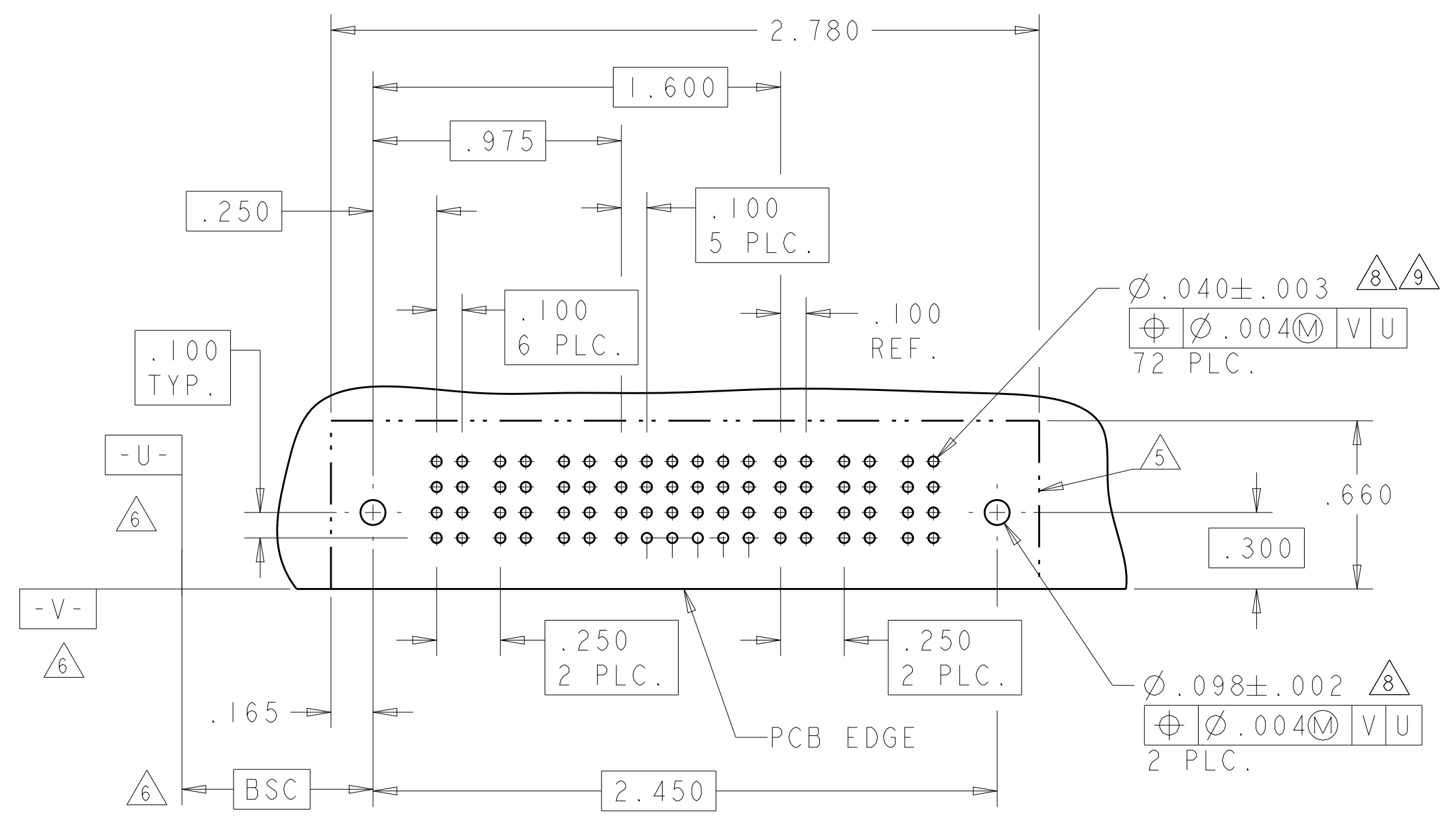
Customer Drawing SCALE: 4:1 SHEET 3 OF 28 REV: M2

| PART NUMBER     | ROWS             | POWER |    |    |    | SIGNAL |   |   |   |   |   | POWER |    |    |
|-----------------|------------------|-------|----|----|----|--------|---|---|---|---|---|-------|----|----|
|                 |                  | P1    | P2 | P3 | P4 | 1      | 2 | 3 | 4 | 5 | 6 | P5    | P6 | P7 |
| 6450130-4       | D<br>C<br>B<br>A | PM    | PM | PM | PM | J      | J | J | J | J | J | PM    | PM | PM |
|                 |                  |       |    |    |    | K      | K | K | K | K | K |       |    |    |
|                 |                  |       |    |    |    | N      | N | N | N | N | N |       |    |    |
|                 |                  |       |    |    |    | S      | S | S | S | S | H |       |    |    |
| 4P + 24S + 3ACP |                  |       |    |    |    |        |   |   |   |   |   |       |    |    |



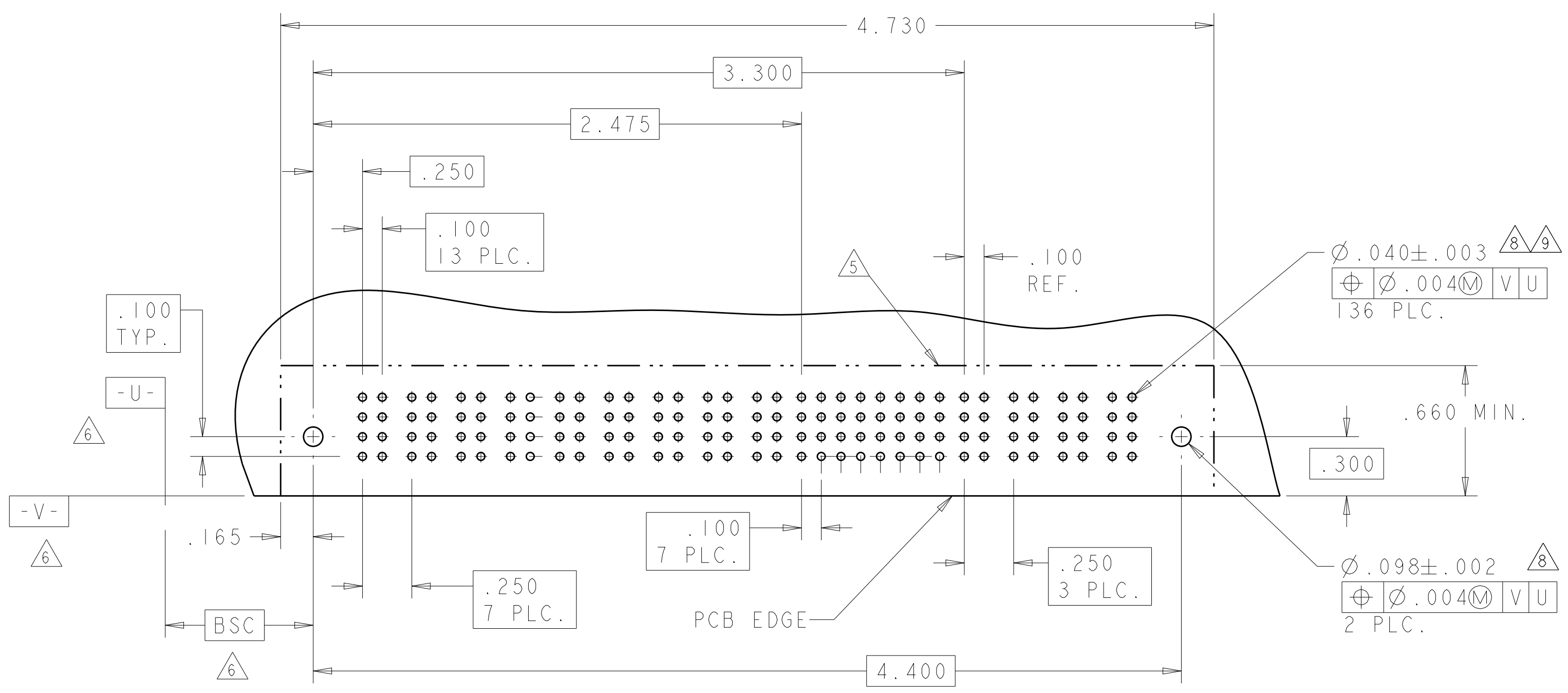
| LOC | DIST | REV | DATE | APP'D |
|-----|------|-----|------|-------|
| ES  | 00   |     |      |       |

| PART NUMBER   | ROWS             | POWER |    |    | SIGNAL |   |   |   |   |   | POWER |    |    |
|---------------|------------------|-------|----|----|--------|---|---|---|---|---|-------|----|----|
|               |                  | P1    | P2 | P3 | 1      | 2 | 3 | 4 | 5 | 6 | P4    | P5 | P6 |
| 6450130-6     | D<br>C<br>B<br>A | PM    | PM | PM | J      | J | J | J | J | J | PM    | PM | PM |
|               |                  |       |    |    | K      | K | K | K | K | K |       |    |    |
|               |                  |       |    |    | N      | N | G | N | N | N |       |    |    |
|               |                  |       |    |    | S      | S | S | S | S | S |       |    |    |
| 3P + 24S + 3P |                  |       |    |    |        |   |   |   |   |   |       |    |    |

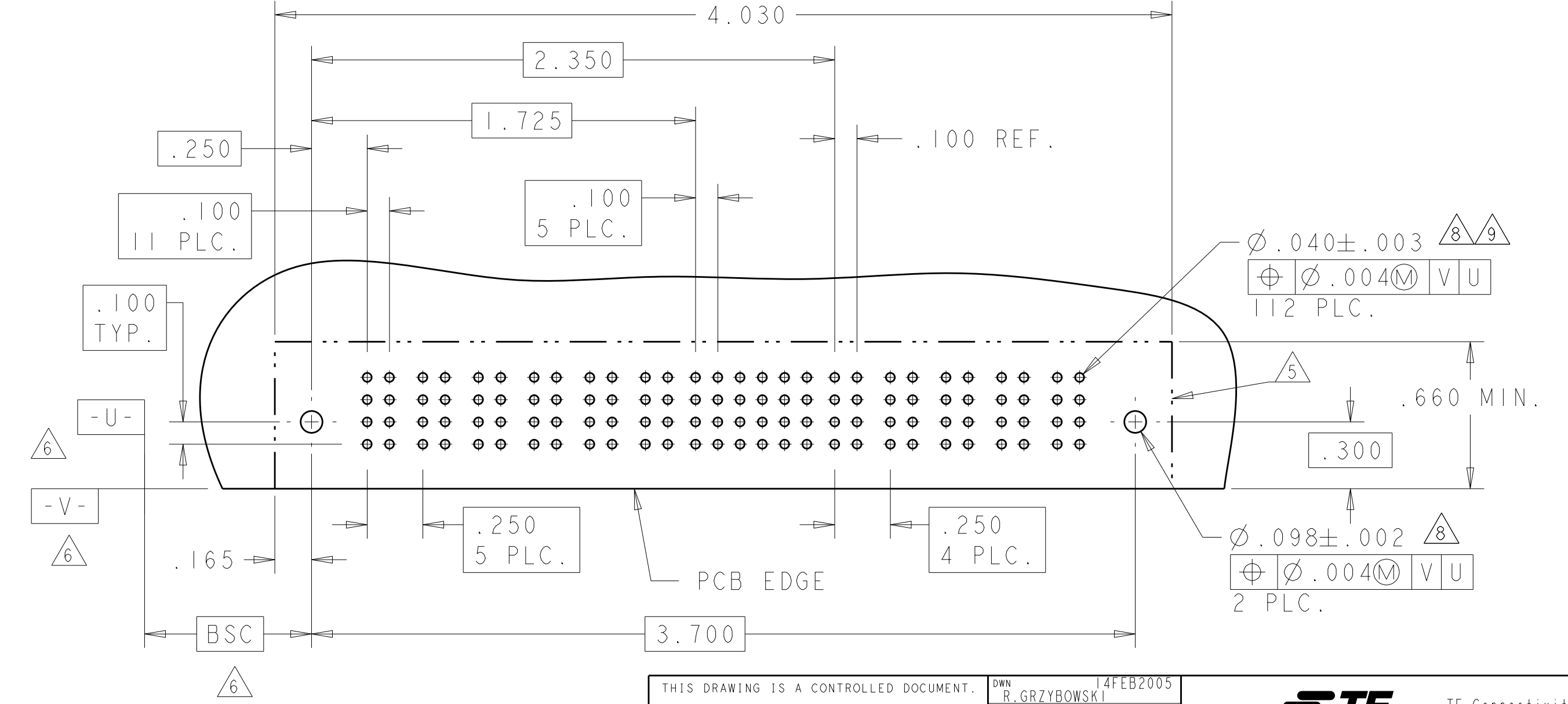


NO CONTACT LOADED

| PART NUMBER   | ROWS             | POWER |    |    |    |    |    |    |    |    | SIGNAL |   |   |   |   |   |   |   | POWER |     |     |     |   |   |   |
|---------------|------------------|-------|----|----|----|----|----|----|----|----|--------|---|---|---|---|---|---|---|-------|-----|-----|-----|---|---|---|
|               |                  | P1    | P2 | P3 | P4 | P5 | P6 | P7 | P8 | P9 | 1      | 2 | 3 | 4 | 5 | 6 | 7 | 8 | P10   | P11 | P12 | P13 |   |   |   |
| 6450130-5     | D<br>C<br>B<br>A | PM    | PM | PM | PM | PM | PM | PM | PM | PM | J      | J | J | J | J | J | J | J | PM    | PM  | PM  | PM  |   |   |   |
|               |                  |       |    |    |    |    |    |    |    |    | K      | K | K | K | K | K | K | K |       |     |     |     | K | K |   |
|               |                  |       |    |    |    |    |    |    |    |    | N      | N | N | N | N | N | N | N |       |     |     |     | N | N | N |
|               |                  |       |    |    |    |    |    |    |    |    | S      | S | S | S | S | S | S | S |       |     |     |     | S | S | S |
| 9P + 32S + 4P |                  |       |    |    |    |    |    |    |    |    |        |   |   |   |   |   |   |   |       |     |     |     |   |   |   |



| PART NUMBER   | ROWS             | POWER |    |    |    |    |    | SIGNAL |   |   |   |   |    | POWER |    |    |     |     |
|---------------|------------------|-------|----|----|----|----|----|--------|---|---|---|---|----|-------|----|----|-----|-----|
|               |                  | P1    | P2 | P3 | P4 | P5 | P6 | 1      | 2 | 3 | 4 | 5 | 6  | P7    | P8 | P9 | P10 | P11 |
| 6450130-7     | D<br>C<br>B<br>A | PM    | PM | PM | PM | PM | J  | J      | J | J | J | J | PM | PM    | PM | PM | PM  | PM  |
|               |                  |       |    |    |    |    | K  | K      | F | K | K | K |    |       |    |    |     |     |
|               |                  |       |    |    |    |    | N  | N      | N | N | N | G |    |       |    |    |     |     |
|               |                  |       |    |    |    |    | S  | S      | H | S | S | S |    |       |    |    |     |     |
| 6P + 24S + 5P |                  |       |    |    |    |    |    |        |   |   |   |   |    |       |    |    |     |     |



THIS DRAWING IS A CONTROLLED DOCUMENT.

OWN: R. GRZYBOWSKI 14FEB2005  
 CHK: M. PERCHERKE 14FEB2005  
 AP'D: M. PERCHERKE 14FEB2005

DIMENSIONS: INCHES  
 0 PLC ±.01  
 2 PLC ±.01  
 3 PLC ±.01  
 4 PLC ±.005  
 5 PLC ±.005  
 ANGLES ±.0020

TOLERANCES UNLESS OTHERWISE SPECIFIED:  
 FINISH: \*P\*

MATERIAL: . . . . .

Customer Drawing

NAME: RIGHT ANGLE HEADER ASSEMBLY W/GUIDES MULTI-BEAM XL  
 PRODUCT SPEC: 108-1973  
 APPLICATION SPEC: 114-13038

SIZE: A1  
 CAGE CODE: 6450130  
 DRAWING NO: 100779

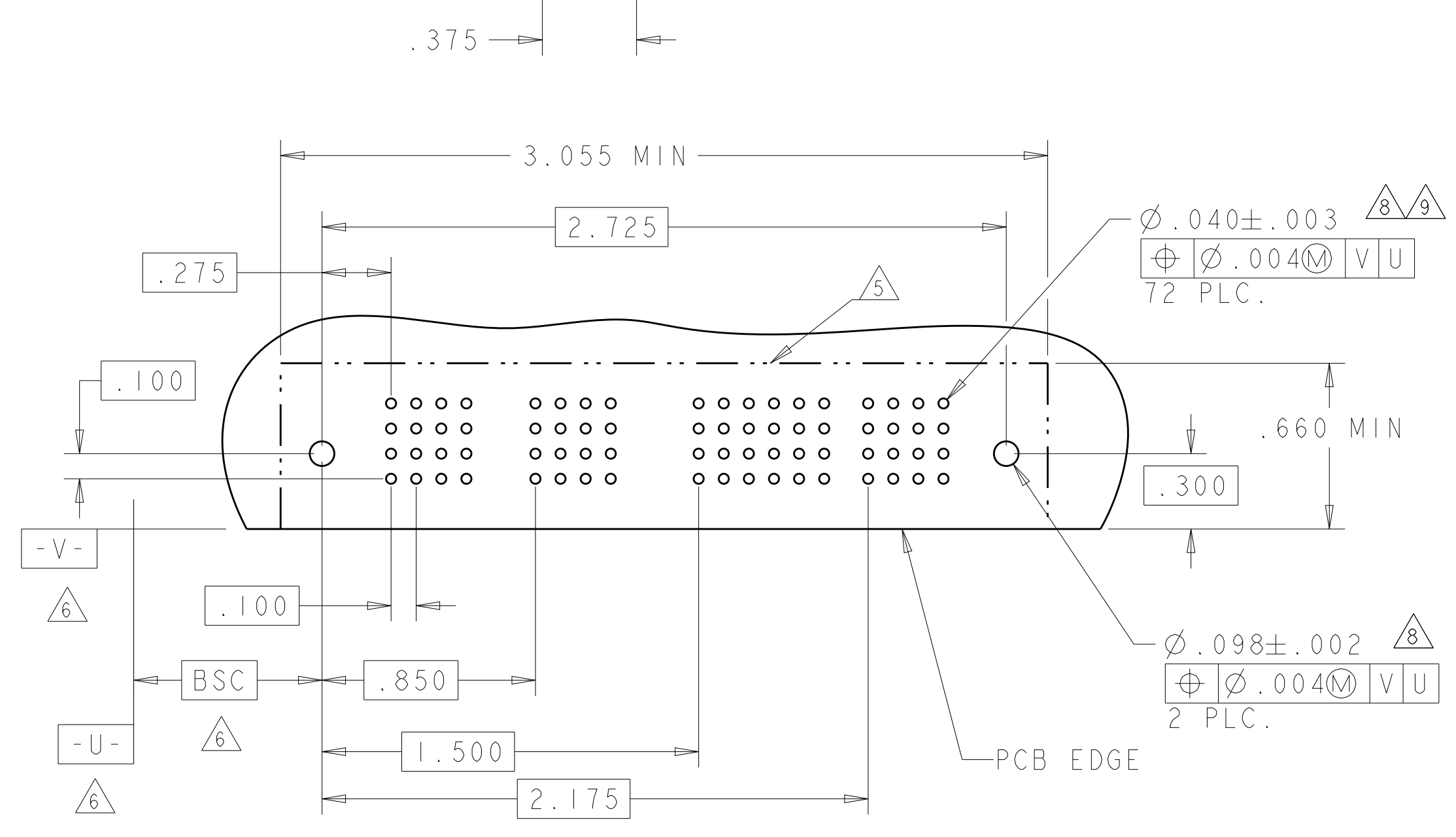
RESTRICTED TO: M2

SCALE: 4:1 SHEET: 4 OF 28

| LOC |    | DIST |     | REVISIONS   |      |     |      |
|-----|----|------|-----|-------------|------|-----|------|
| ES  | 00 | P    | LTN | DESCRIPTION | DATE | OWN | APVD |
|     |    |      |     | SEE SHEET 1 |      |     |      |

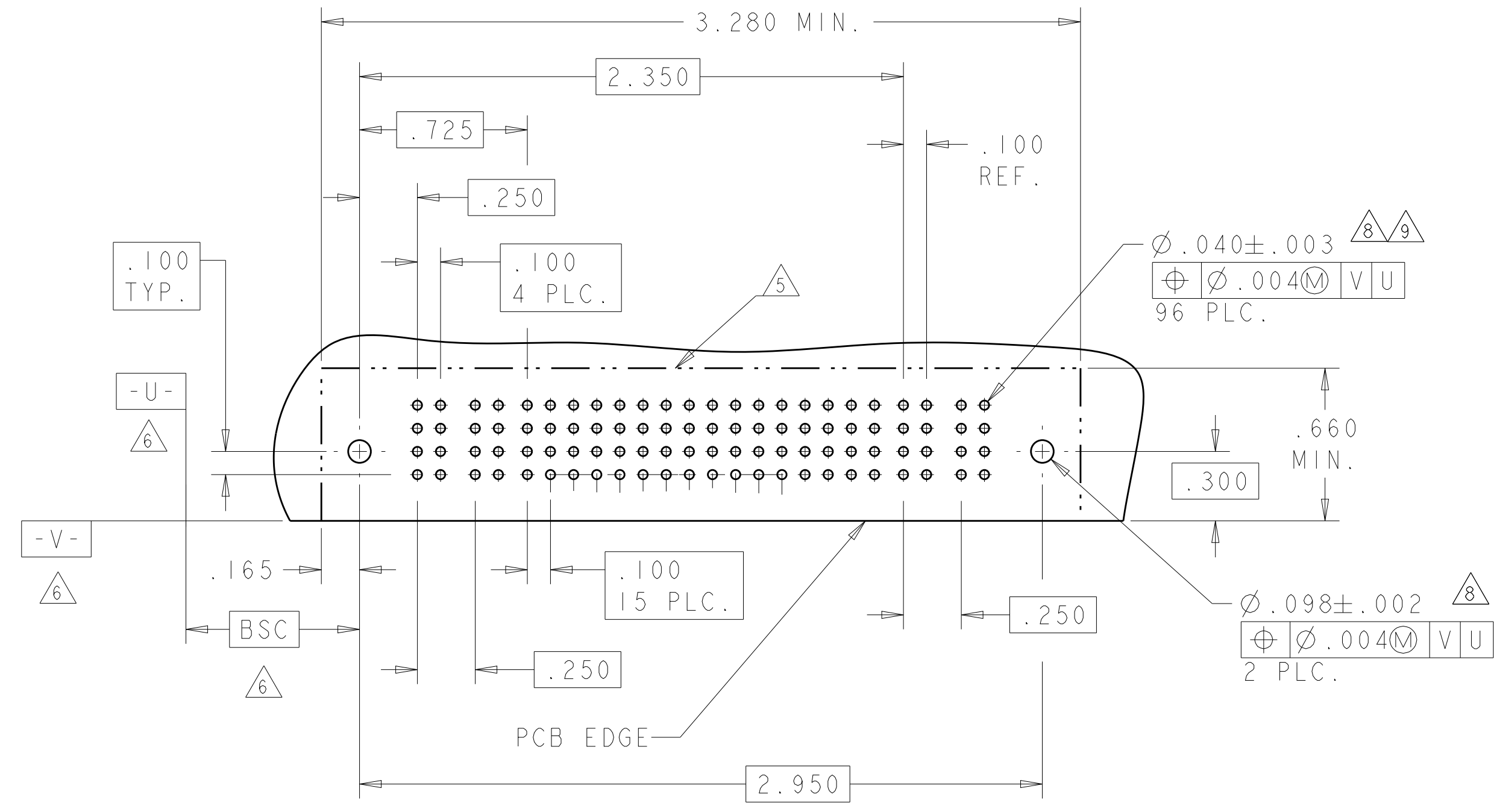
| PART NUMBER | ROWS | POWER |    |    |    |    | SIGNAL |   |   |   |   |    | POWER |    |
|-------------|------|-------|----|----|----|----|--------|---|---|---|---|----|-------|----|
|             |      | P1    | P2 | P3 | P4 | P5 | 1      | 2 | 3 | 4 | 5 | 6  | P6    | P7 |
| 6450130-8   | D    | PM    | PM | PM | PM | J  | J      | J | J | J | J | PM | PM    | HD |
|             | C    |       |    |    |    | K  | K      | K | K | K | K |    |       |    |
|             | B    |       |    |    |    | N  | N      | N | N | N | N |    |       |    |
|             | A    |       |    |    |    | S  | S      | S | S | S | S |    |       |    |

5P + 24S + 2P



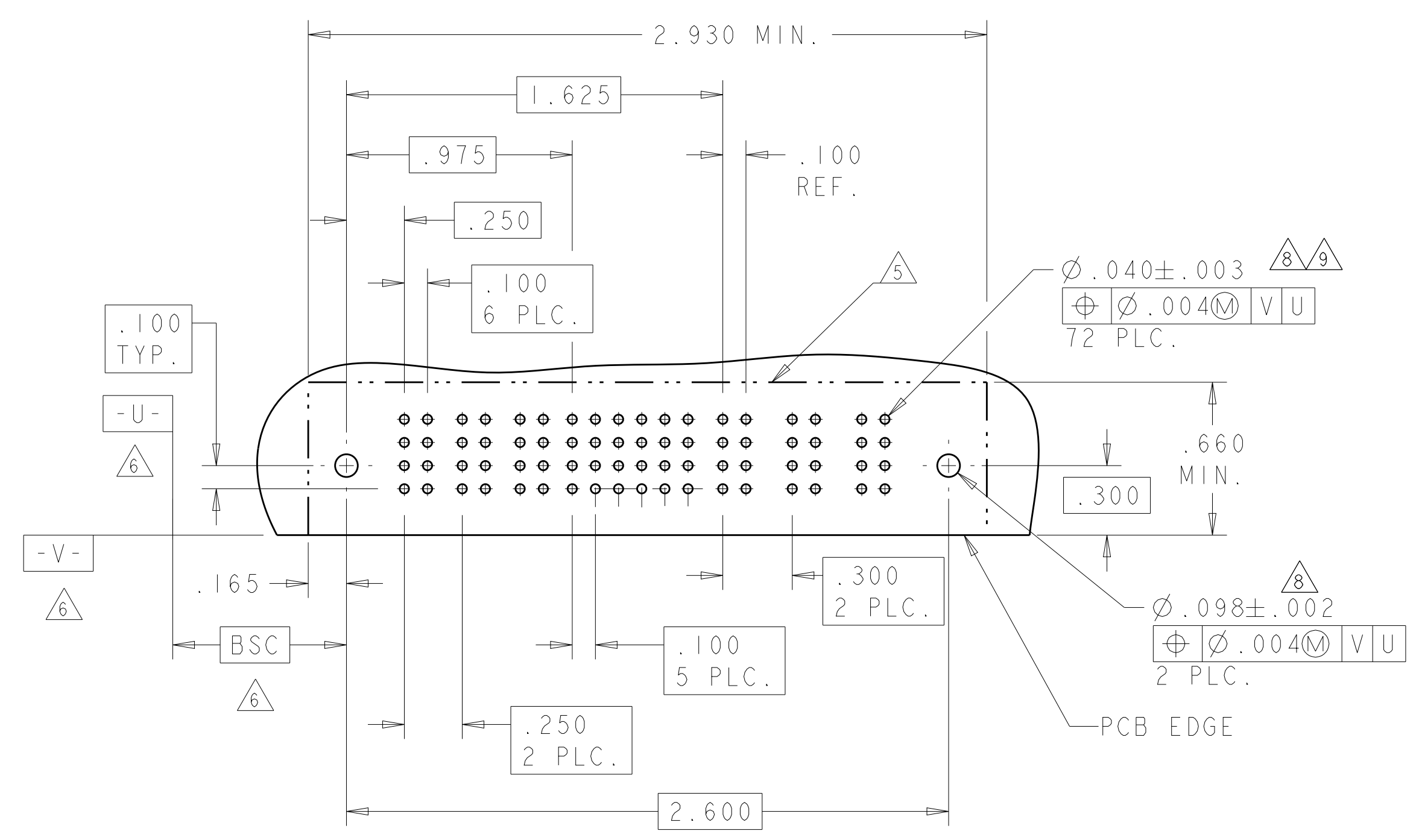
| PART NUMBER | ROWS | POWER |    | SIGNAL |   |   |   |   |   |   |   |   |    |    |    | POWER |    |    |    |    |    |    |    |
|-------------|------|-------|----|--------|---|---|---|---|---|---|---|---|----|----|----|-------|----|----|----|----|----|----|----|
|             |      | P1    | P2 | 1      | 2 | 3 | 4 | 5 | 6 | 7 | 8 | 9 | 10 | 11 | 12 | 13    | 14 | 15 | 16 | P3 | P4 |    |    |
| 1-6450130-0 | D    | PA    | PA | A      | A | A | A | A | A | A | A | A | A  | A  | A  | A     | A  | A  | A  | A  | PA | PA | HD |
|             | C    |       |    | A      | A | A | A | A | A | A | A | A | A  | A  | A  | A     | A  | A  | A  | A  |    |    |    |
|             | B    |       |    | A      | A | A | A | A | A | A | A | A | A  | A  | A  | A     | A  | A  | A  | A  |    |    |    |
|             | A    |       |    | A      | A | A | A | A | A | A | A | A | A  | A  | A  | A     | A  | A  | A  | A  |    |    |    |

2P + 64S + 2P



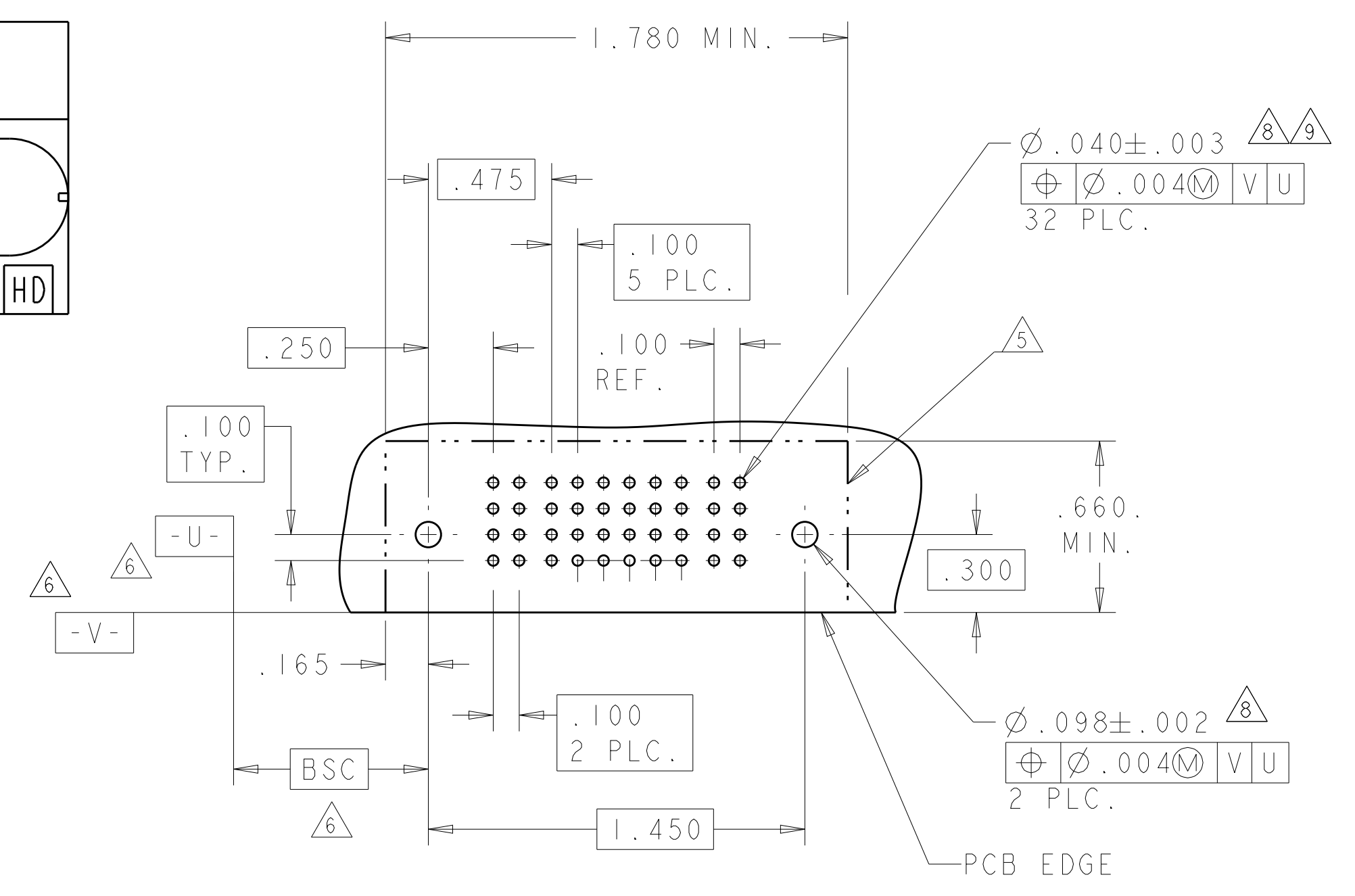
| PART NUMBER | ROWS | POWER |    |    | SIGNAL |   |   |   |   |   | POWER |    |    |    |    |
|-------------|------|-------|----|----|--------|---|---|---|---|---|-------|----|----|----|----|
|             |      | P1    | P2 | P3 | 1      | 2 | 3 | 4 | 5 | 6 | P4    | P5 | P6 |    |    |
| 6450130-9   | D    | PA    | PA | PA | Z      | A | A | A | A | A | A     | PA | PA | PA | HD |
|             | C    |       |    |    | Y      | A | A | A | A | A | A     |    |    |    |    |
|             | B    |       |    |    | R      | A | A | A | A | A | A     |    |    |    |    |
|             | A    |       |    |    | O      | A | A | A | A | A | A     |    |    |    |    |

3P + 24S + 3ACP



| PART NUMBER | ROWS | POWER |    | SIGNAL |   |   |   |   |   | POWER |   |    |    |
|-------------|------|-------|----|--------|---|---|---|---|---|-------|---|----|----|
|             |      | P1    | P2 | 1      | 2 | 3 | 4 | 5 | 6 | P2    |   |    |    |
| 1-6450130-1 | D    | PA    | PA | A      | A | A | A | A | A | A     | A | PA | HD |
|             | C    |       |    | A      | A | A | A | A | A | A     |   |    |    |
|             | B    |       |    | A      | A | A | A | A | A | A     |   |    |    |
|             | A    |       |    | A      | A | A | A | A | A | A     |   |    |    |

1P + 24S + 1P



THIS DRAWING IS A CONTROLLED DOCUMENT.

|             |  |                    |  |
|-------------|--|--------------------|--|
| DIMENSIONS: | TOLERANCES UNLESS OTHERWISE SPECIFIED: | OWN: R. GRZYBOWSKI | DATE: 14 FEB 2005  |
| INCHES:     | 0 PLC ±.01                             | CHK: M. PERCHERKE  | DATE: 14 FEB 2005  |
|             | 1 PLC ±.005                            | APVD: M. PERCHERKE | DATE: 14 FEB 2005  |
|             | 2 PLC ±.002                            | PRODUCT SPEC       | NAME: RIGHT ANGLE HEADER ASSEMBLY W/GUIDES MULTI-BEAM XL |
| MATERIAL:   | FINISH:                                | APPLICATION SPEC   | SIZE: CAGE CODE DRAWING NO                               |
|             |  | 114-13038          | RESTRICTED TO  |
|             |  | WEIGHT:            | A100779C=6450130   |
|             |  | Customer Drawing   | SCALE: 4:1 SHEET 5 OF 28 REV: M2                         |

STE TE Connectivity

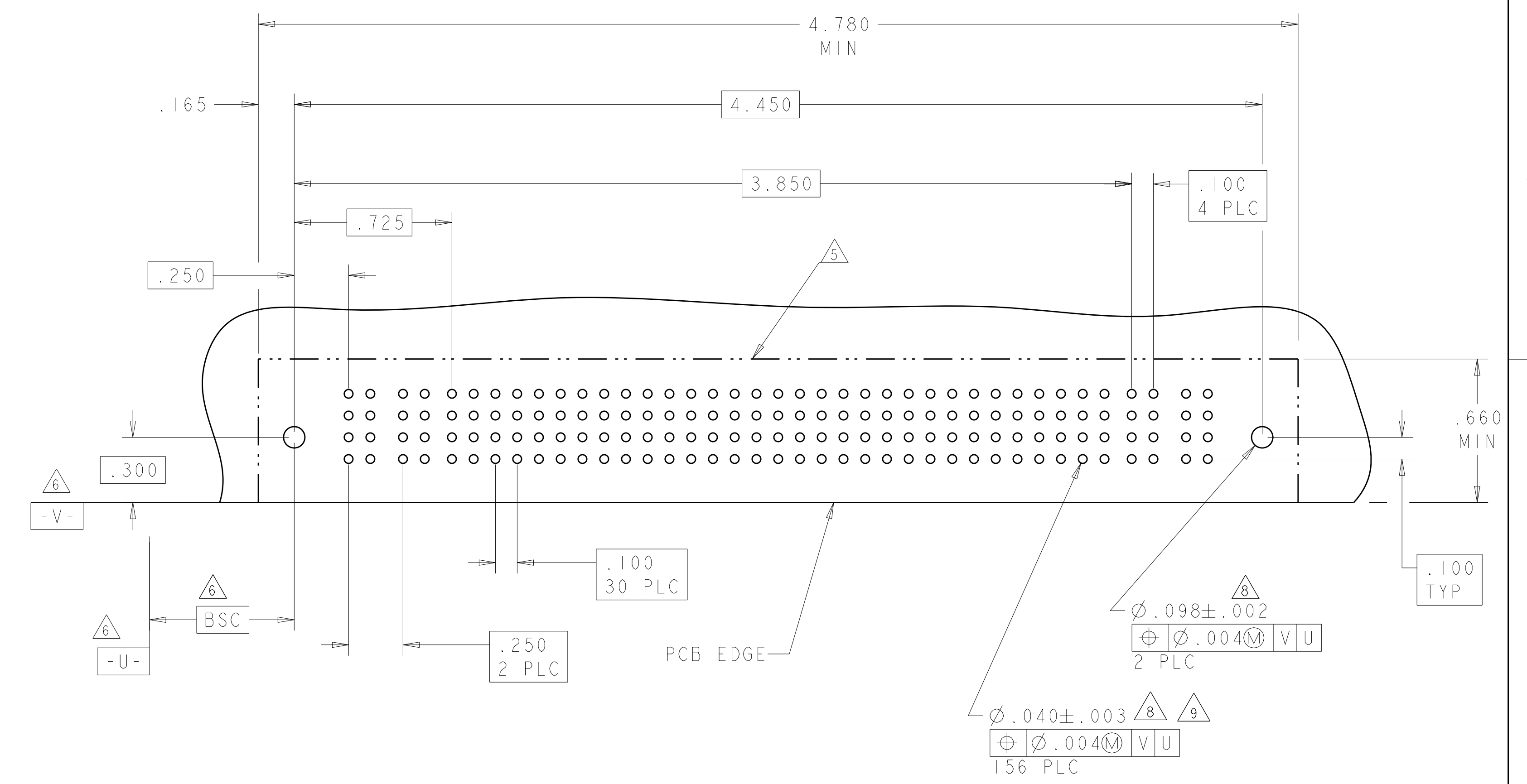
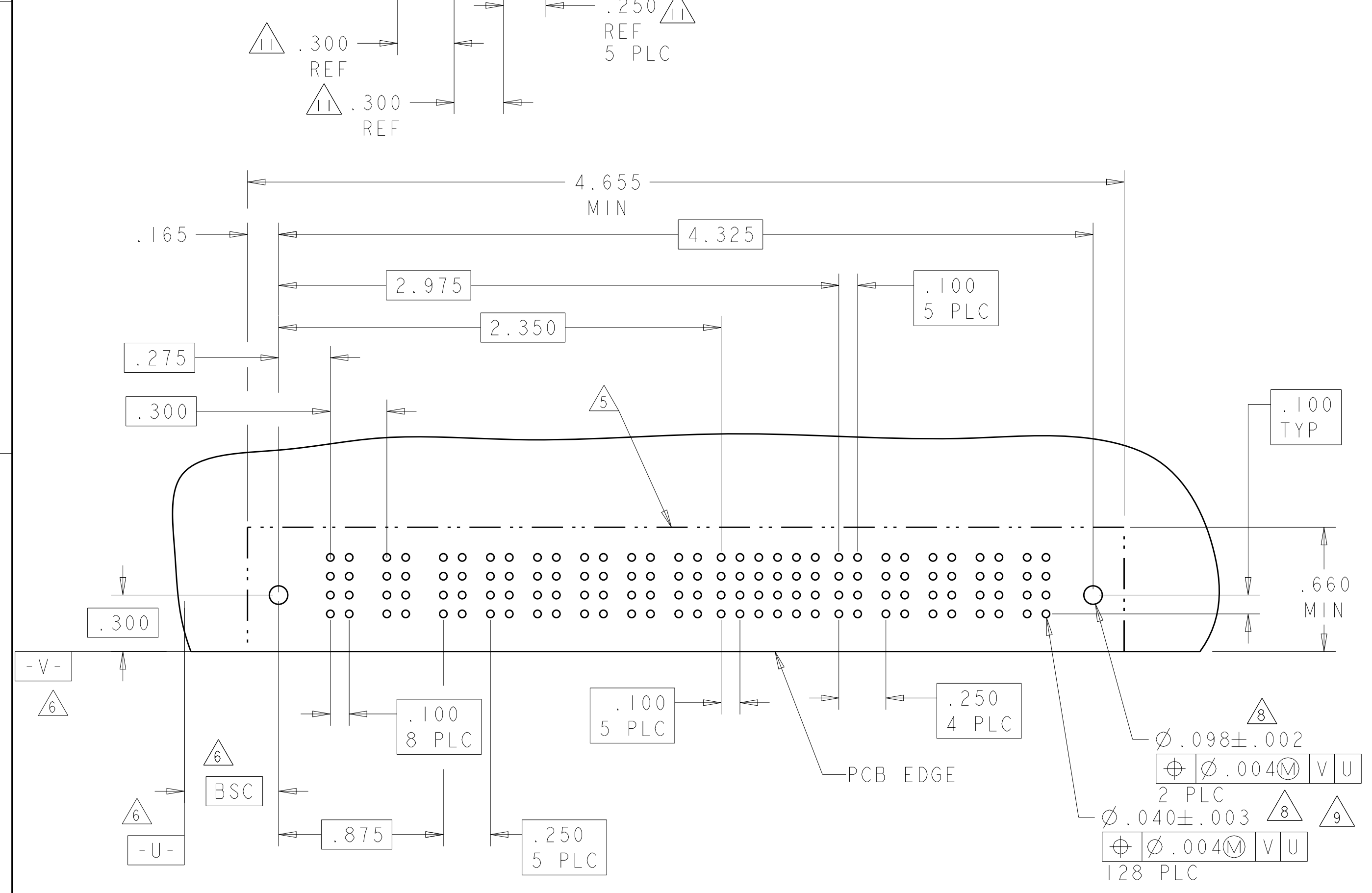




| LOC         | DIST | REV | DATE | BY | APPV |
|-------------|------|-----|------|----|------|
| ES          | 00   |     |      |    |      |
| REVISIONS   |      |     |      |    |      |
| DESCRIPTION |      |     | DATE | BY | APPV |
| SEE SHEET 1 |      |     |      |    |      |

| PART NUMBER          | ROWS             | POWER |    |    |    |    |    |    |    | SIGNAL |   |   |   |   |    | POWER |     |     |     |     |    |    |    |    |    |  |
|----------------------|------------------|-------|----|----|----|----|----|----|----|--------|---|---|---|---|----|-------|-----|-----|-----|-----|----|----|----|----|----|--|
|                      |                  | P1    | P2 | P3 | P4 | P5 | P6 | P7 | P8 | 1      | 2 | 3 | 4 | 5 | 6  | P9    | P10 | P11 | P12 | P13 |    |    |    |    |    |  |
| I-6450130-8          | D<br>C<br>B<br>A | PM    | PM | PM | PM | PM | PM | PM | E  | J      | J | J | J | E | PM | PM    | PM  | PM  | PM  | PM  | PM | PM | PM | PM | HD |  |
|                      |                  |       |    |    |    |    |    |    | K  | K      | F | K | K | K |    |       |     |     |     |     |    |    |    |    |    |  |
|                      |                  |       |    |    |    |    |    |    | N  | N      | N | G | N | N |    |       |     |     |     |     |    |    |    |    |    |  |
|                      |                  |       |    |    |    |    |    |    | H  | S      | S | S | S | H |    |       |     |     |     |     |    |    |    |    |    |  |
| 2ACP + 6P + 24S + 5P |                  |       |    |    |    |    |    |    |    |        |   |   |   |   |    |       |     |     |     |     |    |    |    |    |    |  |

| PART NUMBER    | ROWS             | POWER |    | SIGNAL |    |    |    |    |    |    |    |    |    |    |    |    |    |    |    |    |    |    |    |    |    |    |    |    |    |    |    |    |    |    | POWER |    |    |    |    |    |
|----------------|------------------|-------|----|--------|----|----|----|----|----|----|----|----|----|----|----|----|----|----|----|----|----|----|----|----|----|----|----|----|----|----|----|----|----|----|-------|----|----|----|----|----|
|                |                  | P1    | P2 | 1      | 2  | 3  | 4  | 5  | 6  | 7  | 8  | 9  | 10 | 11 | 12 | 13 | 14 | 15 | 16 | 17 | 18 | 19 | 20 | 21 | 22 | 23 | 24 | 25 | 26 | 27 | 28 | 29 | 30 | 31 | P3    | P4 |    |    |    |    |
| I-6450130-9    | D<br>C<br>B<br>A | PA    | PA | Z      | A4 | A4 | A4 | A4 | A4 | A4 | A4 | A4 | A4 | A4 | A4 | A4 | A4 | A4 | A4 | A4 | A4 | A4 | A4 | A4 | A4 | A4 | A4 | A4 | A4 | A4 | A4 | A4 | A4 | A4 | A4    | Z  | PA | PA |    |    |
|                |                  |       |    | Y      | A3 | A3 | A3 | A3 | A3 | A3 | A3 | A3 | A3 | A3 | A3 | A3 | A3 | A3 | A3 | A3 | A3 | A3 | A3 | A3 | A3 | A3 | A3 | A3 | A3 | A3 | A3 | A3 | A3 | A3 | A3    | A3 |    |    | Y  |    |
|                |                  |       |    | R      | A2 | A2 | A2 | A2 | A2 | A2 | A2 | A2 | A2 | A2 | A2 | A2 | A2 | A2 | A2 | A2 | A2 | A2 | A2 | A2 | A2 | A2 | A2 | A2 | A2 | A2 | A2 | A2 | A2 | A2 | A2    | A2 |    |    | R  | A2 |
|                |                  |       |    | A1     | A1 | A1 | A1 | A1 | A1 | A1 | A1 | A1 | A1 | A1 | A1 | A1 | A1 | A1 | A1 | A1 | A1 | A1 | A1 | A1 | A1 | A1 | A1 | A1 | A1 | A1 | A1 | A1 | A1 | A1 | A1    | A1 |    |    | A1 | A1 |
| 2P + 124S + 2P |                  |       |    |        |    |    |    |    |    |    |    |    |    |    |    |    |    |    |    |    |    |    |    |    |    |    |    |    |    |    |    |    |    |    |       |    |    |    |    |    |



THIS DRAWING IS A CONTROLLED DOCUMENT.

OWN: R. GRZYBOWSKI 14FEB2005  
 CHK: M. PERCHERKE 14FEB2005  
 APVD: M. PERCHERKE 14FEB2005

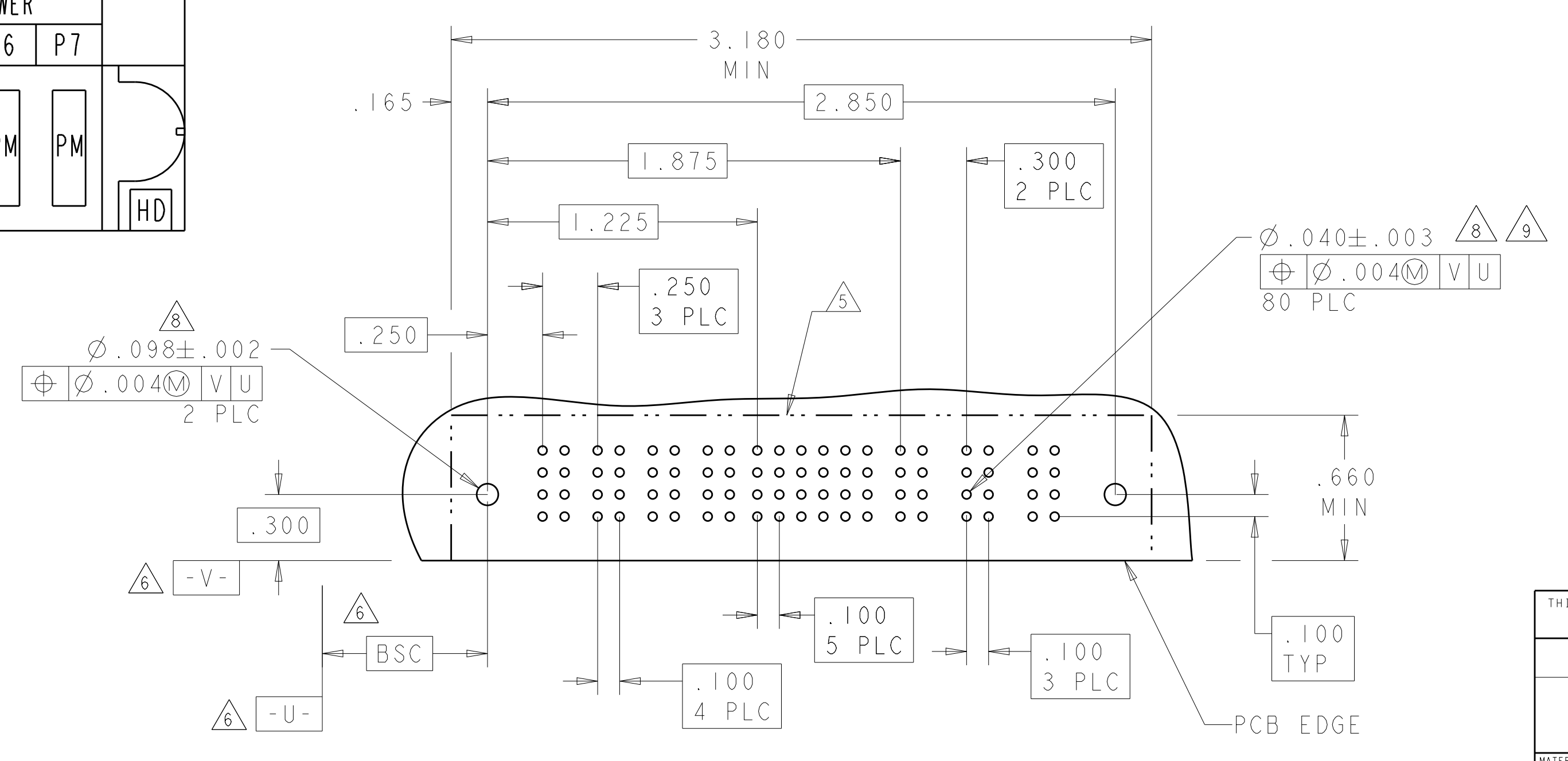
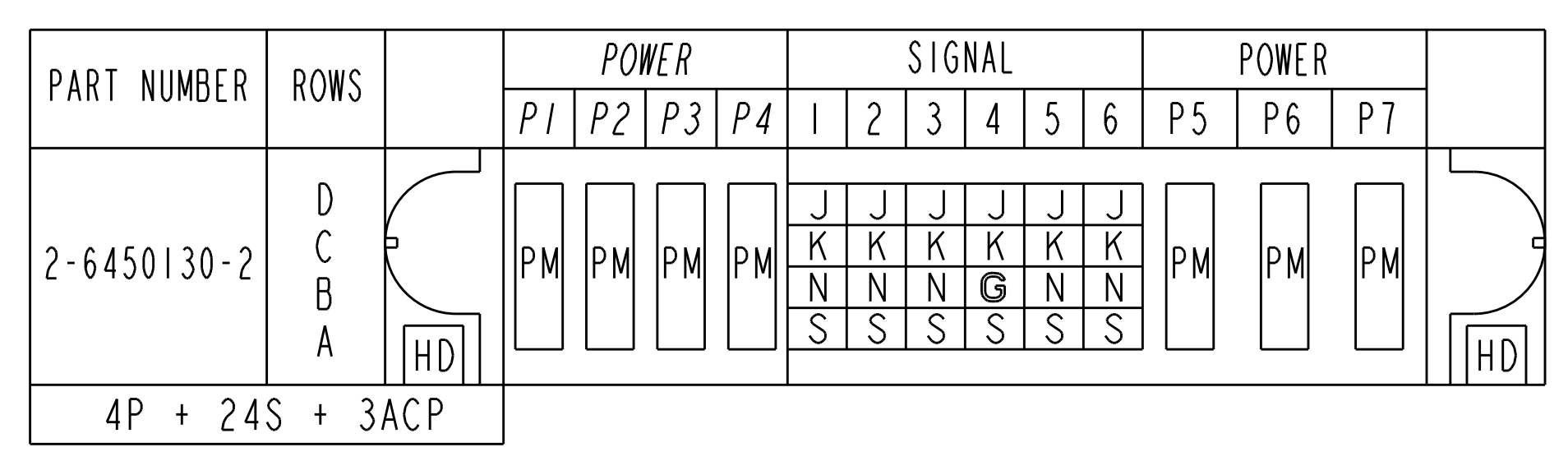
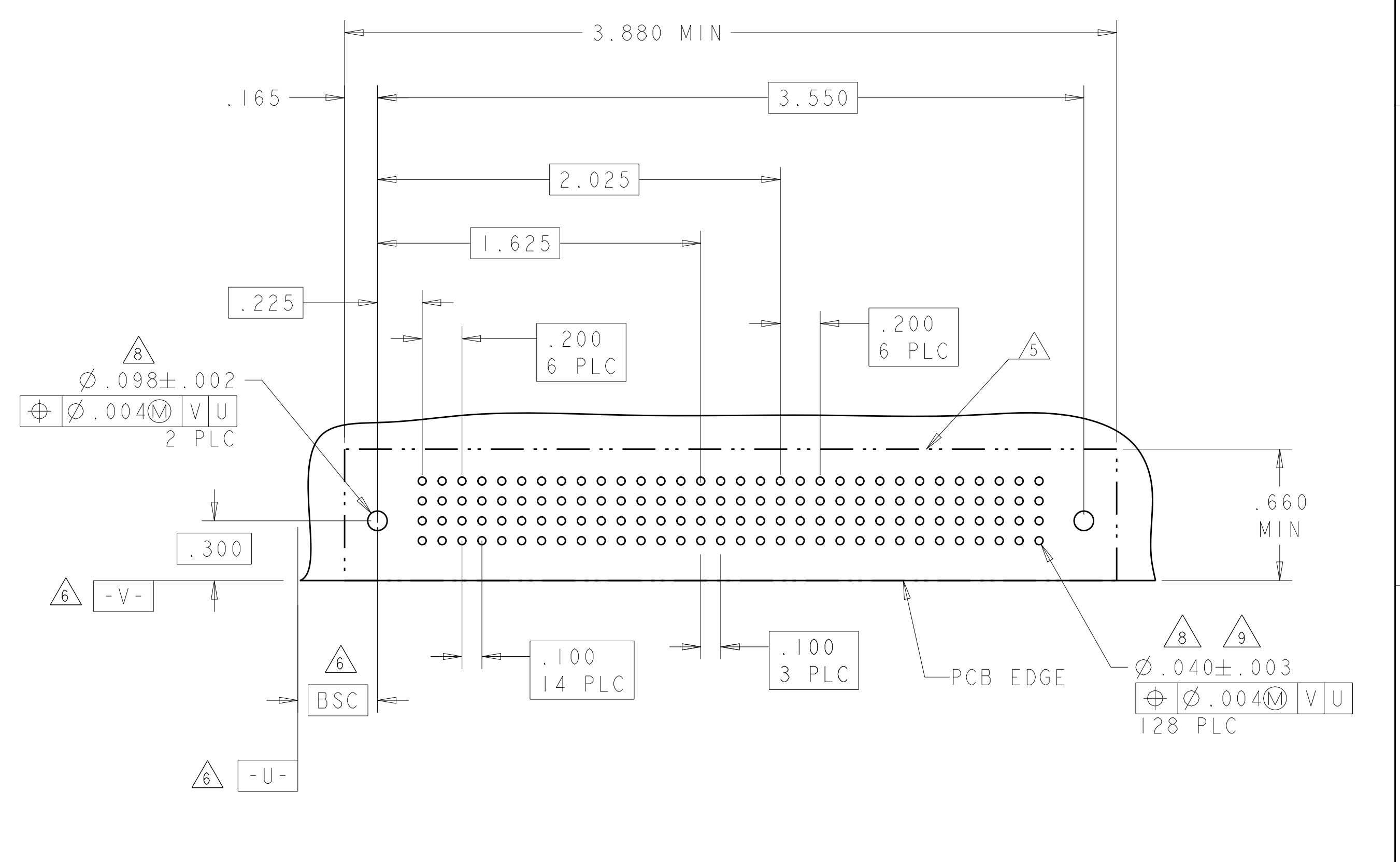
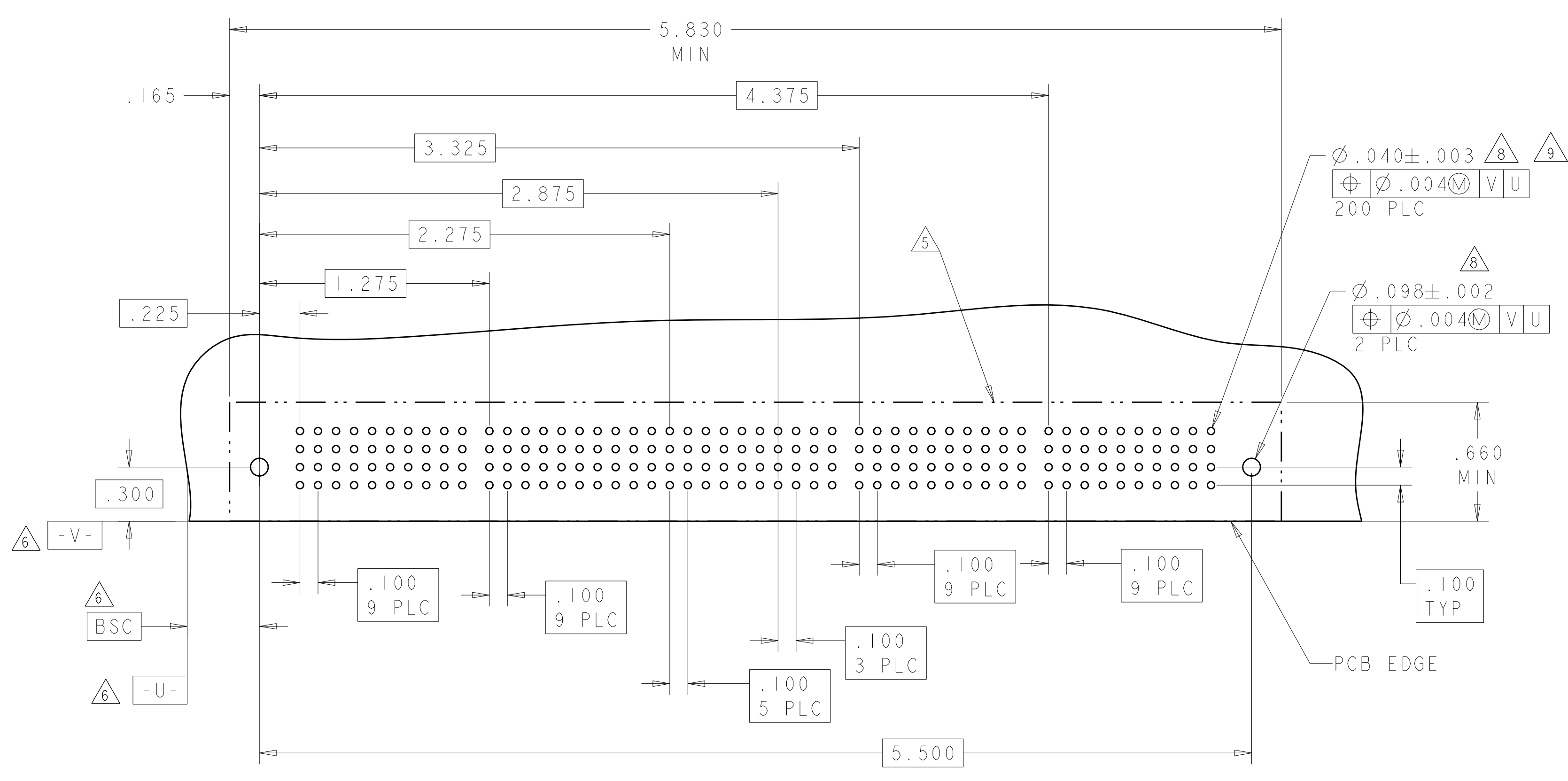
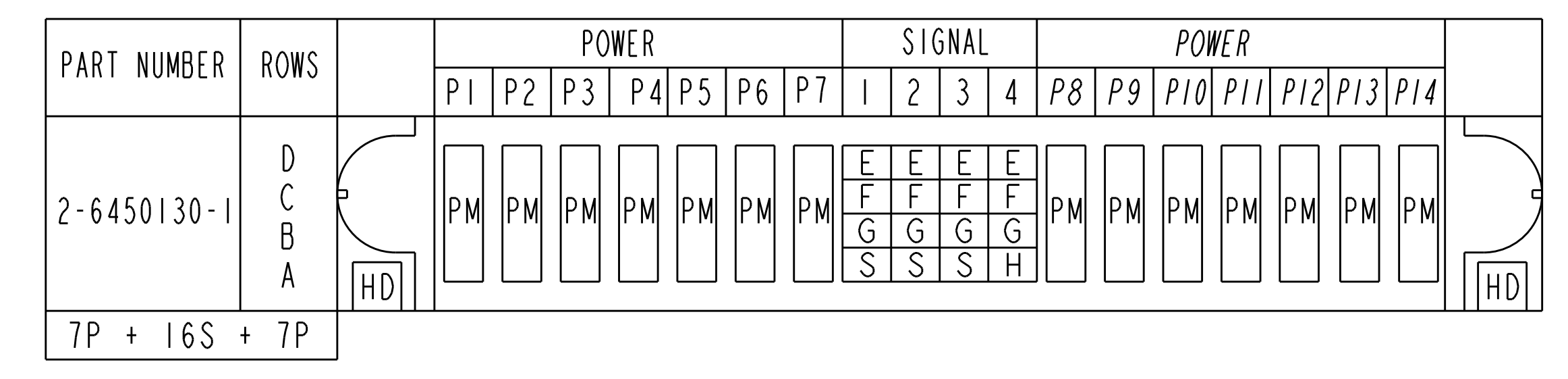
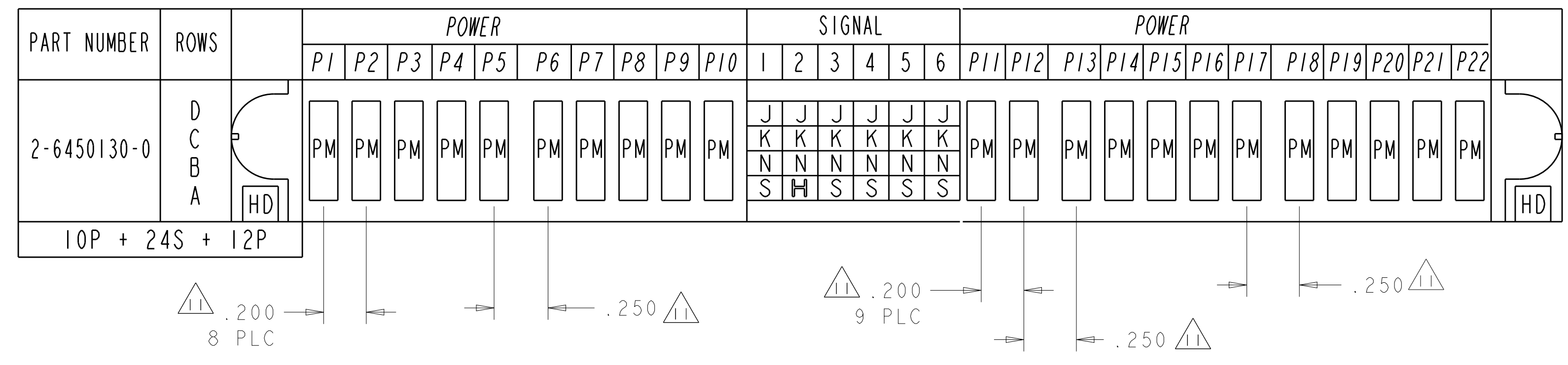
STE TE Connectivity

NAME: RIGHT ANGLE HEADER ASSEMBLY W/GUIDES MULTI-BEAM XL

PRODUCT SPEC: 108-1973  
 APPLICATION SPEC: 114-13038

SIZE: A1 00779 C=6450130  
 SCALE: 4:1 SHEET 7 OF 28 REV: M2

Customer Drawing

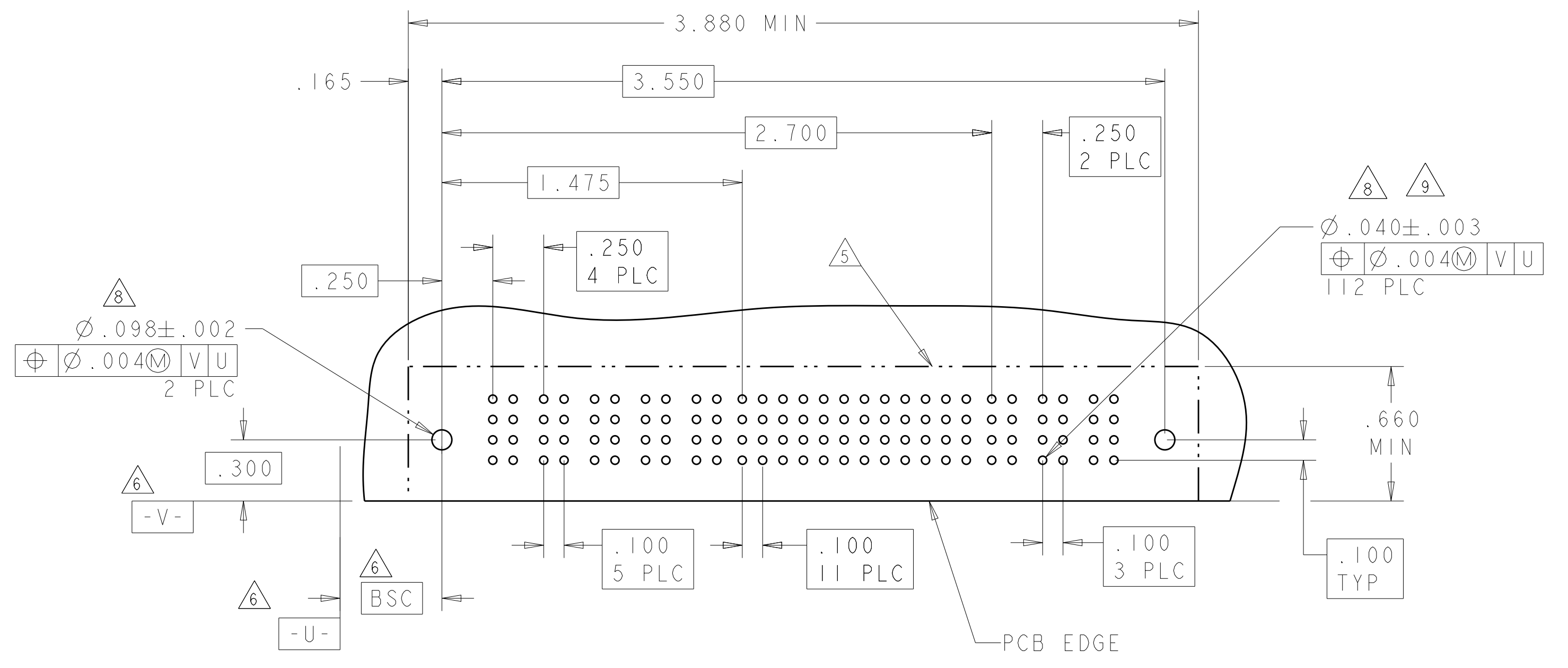
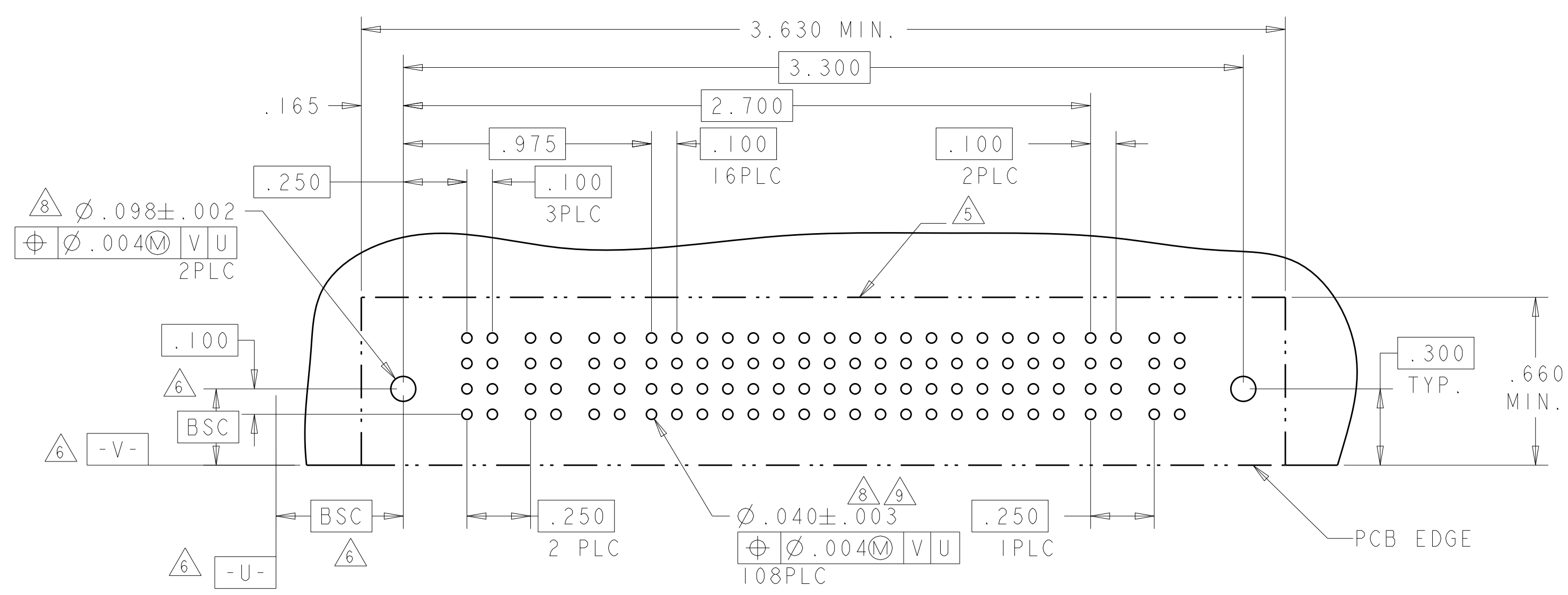


|  |  |                              |  |  |
|--|--|------------------------------|--|--|
| THIS DRAWING IS A CONTROLLED DOCUMENT. |  | OWN: R. GRZYBOWSKI 14FEB2005 | <b>STE</b> TE Connectivity                               |  |
| DIMENSIONS: INCHES                     |  | CHK: M. PERCHERKE 14FEB2005  |  |  |
| TOLERANCES UNLESS OTHERWISE SPECIFIED: |  | APVD: M. PERCHERKE 14FEB2005 | NAME: RIGHT ANGLE HEADER ASSEMBLY W/GUIDES MULTI-BEAM XL |  |
| 0 PLC ±.01                             |  | PRODUCT SPEC: 108-1973       | SIZE: CAGE CODE DRAWING NO: A100779C=6450130             |  |
| 1 PLC ±.01                             |  | APPLICATION SPEC: 114-13038  | RESTRICTED TO: -   |  |
| 2 PLC ±.01                             |  | WEIGHT: -                    | SCALE: 4:1 SHEET 8 OF 28 REV: M2                         |  |
| 3 PLC ±.005                            |  | MATERIAL: -                  | Customer Drawing   |  |
| 4 PLC ±.002                            |  | FINISH: -                    |  |  |
| ANGLES ±.020                           |  |                              |  |  |



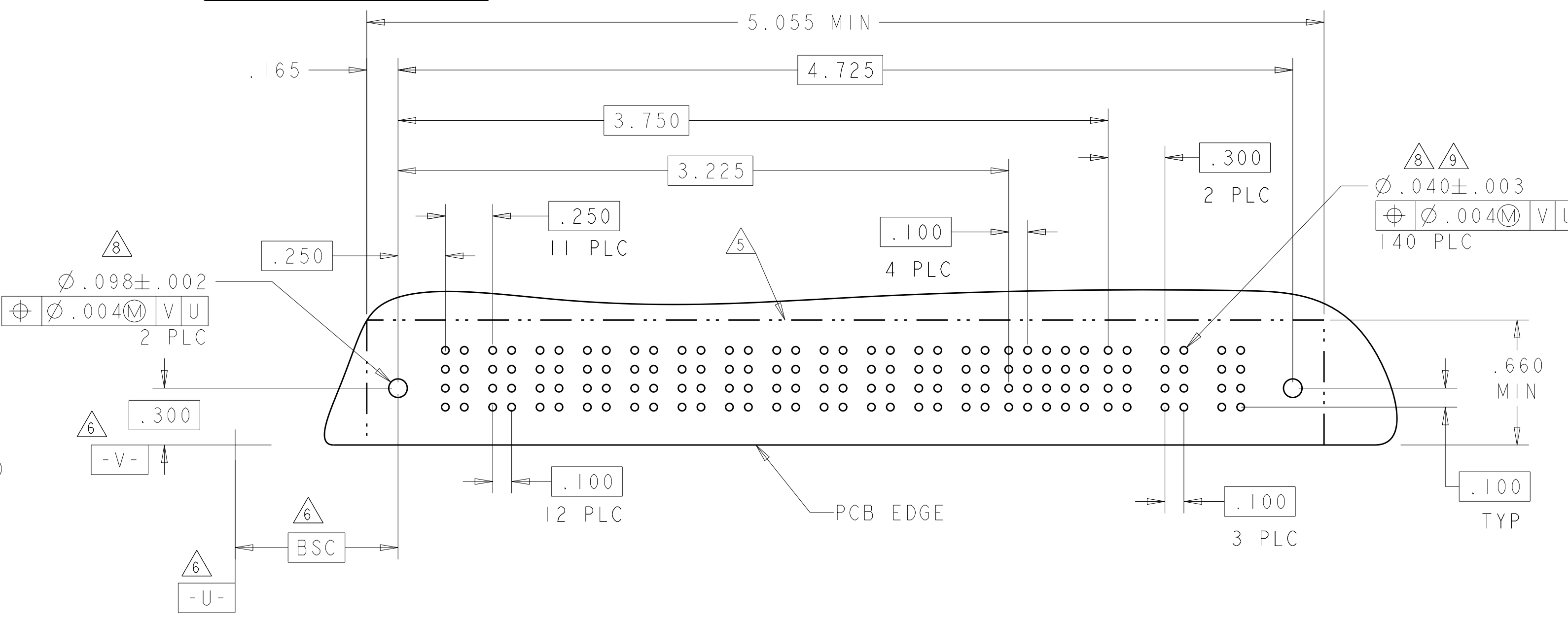
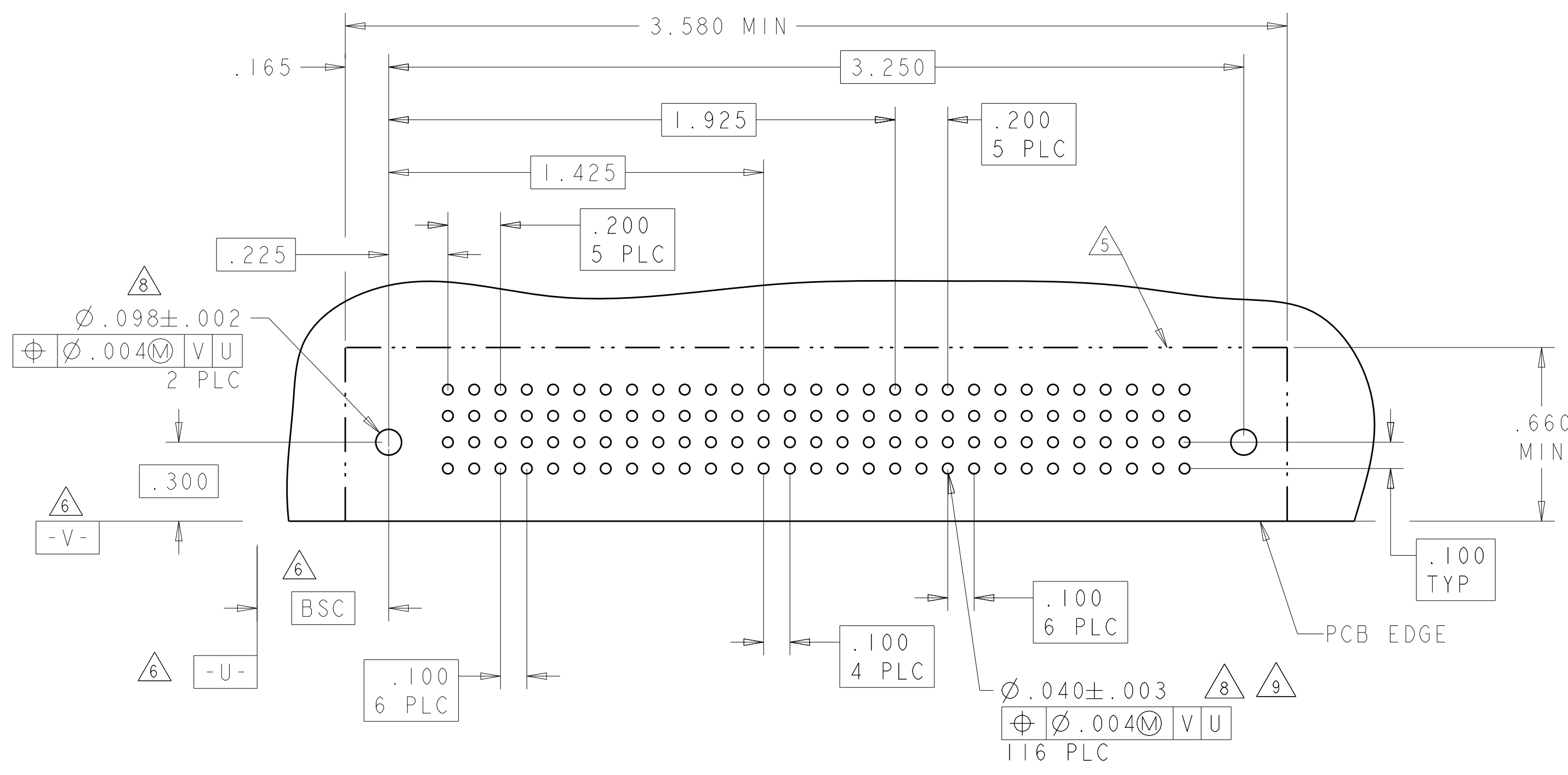
| PART NUMBER   | ROWS | POWER |    |    | SIGNAL |   |   |   |   |   |   |   |   |    |    |    |    | POWER |    |    |    |    |    |    |    |    |    |
|---------------|------|-------|----|----|--------|---|---|---|---|---|---|---|---|----|----|----|----|-------|----|----|----|----|----|----|----|----|----|
|               |      | P1    | P2 | P3 | 1      | 2 | 3 | 4 | 5 | 6 | 7 | 8 | 9 | 10 | 11 | 12 | 13 | 14    | 15 | 16 | 17 | P4 | P5 |    |    |    |    |
| 2-6450130-8   | D    | PM    | PM | PM | J      | J | J | J | J | J | J | J | J | J  | J  | J  | J  | J     | J  | J  | J  | J  | J  | J  | J  | PM | PM |
|               | C    |       |    |    | K      | K | K | K | K | K | K | K | K | K  | K  | K  | K  | K     | K  | K  | K  | K  | K  | K  | K  |    |    |
|               | B    |       |    |    | N      | N | N | N | N | N | N | N | N | N  | N  | N  | N  | N     | N  | N  | N  | N  | N  | N  | N  |    |    |
| A             | S    | S     | S  | S  | S      | S | S | S | S | S | S | S | S | S  | S  | S  | S  | S     | S  | S  | S  | S  | S  | HD | HD |    |    |
| 3P + 68S + 2P |      |       |    |    |        |   |   |   |   |   |   |   |   |    |    |    |    |       |    |    |    |    |    |    |    |    |    |

| PART NUMBER   | ROWS | POWER |    |    |    |    | SIGNAL |   |   |   |   |   |   |   |   |    |    |    | POWER |    |    |   |   |    |    |    |    |    |   |   |
|---------------|------|-------|----|----|----|----|--------|---|---|---|---|---|---|---|---|----|----|----|-------|----|----|---|---|----|----|----|----|----|---|---|
|               |      | P1    | P2 | P3 | P4 | P5 | 1      | 2 | 3 | 4 | 5 | 6 | 7 | 8 | 9 | 10 | 11 | 12 | P6    | P7 | P8 |   |   |    |    |    |    |    |   |   |
| 3-6450130-2   | D    | PM    | PM | PM | PM | PM | J      | J | J | J | J | J | J | J | J | J  | J  | J  | J     | J  | J  | J | J | J  | J  | PM | PM | PM |   |   |
|               | C    |       |    |    |    |    | K      | K | K | K | K | K | K | K | K | K  | K  | K  | K     | K  | K  | K | K | K  | K  |    |    |    | K | K |
|               | B    |       |    |    |    |    | N      | N | N | N | N | N | N | N | N | N  | N  | N  | N     | N  | N  | N | N | N  | N  |    |    |    | N | N |
| A             | S    | S     | S  | S  | S  | S  | S      | S | S | S | S | S | S | S | S | S  | S  | S  | S     | S  | S  | S | H | HD | HD |    |    |    |   |   |
| 5P + 48S + 3P |      |       |    |    |    |    |        |   |   |   |   |   |   |   |   |    |    |    |       |    |    |   |   |    |    |    |    |    |   |   |



| PART NUMBER   | ROWS | POWER |    |    |    |    |    | SIGNAL |   |   |   |    | POWER |    |    |     |     |     |    |
|---------------|------|-------|----|----|----|----|----|--------|---|---|---|----|-------|----|----|-----|-----|-----|----|
|               |      | P1    | P2 | P3 | P4 | P5 | P6 | 1      | 2 | 3 | 4 | 5  | P7    | P8 | P9 | P10 | P11 | P12 |    |
| 2-6450130-3   | D    | PM    | PM | PM | PM | PM | E  | J      | J | J | J | PM | PM    | PM | PM | PM  | PM  |     |    |
|               | C    |       |    |    |    |    | F  | K      | K | K | K |    |       |    |    |     |     |     |    |
|               | B    |       |    |    |    |    | G  | N      | N | N | N |    |       |    |    |     |     |     |    |
|               | A    |       |    |    |    |    | H  | S      | S | S | H |    |       |    |    |     |     | HD  | HD |
| 6P + 20S + 6P |      |       |    |    |    |    |    |        |   |   |   |    |       |    |    |     |     |     |    |

| PART NUMBER      | ROWS | POWER |    |    |    |    |    |    |    |    |     |     |     | SIGNAL |    |    |    |    | POWER |     |     |    |    |    |    |    |   |   |   |   |   |
|------------------|------|-------|----|----|----|----|----|----|----|----|-----|-----|-----|--------|----|----|----|----|-------|-----|-----|----|----|----|----|----|---|---|---|---|---|
|                  |      | P1    | P2 | P3 | P4 | P5 | P6 | P7 | P8 | P9 | P10 | P11 | P12 | 1      | 2  | 3  | 4  | 5  | P13   | P14 | P15 |    |    |    |    |    |   |   |   |   |   |
| 3-6450130-6      | D    | PM    | PM | PM | PM | PM | PM | PM | PM | PM | PM  | PM  | PM  | PM     | PM | PM | PM | PM | PM    | PM  | PM  | PM | PM | PM | PM | PM |   |   |   |   |   |
|                  | C    |       |    |    |    |    |    |    |    |    |     |     |     |        |    |    |    |    |       |     |     |    |    |    |    |    | E | E | J | J | J |
|                  | B    |       |    |    |    |    |    |    |    |    |     |     |     |        |    |    |    |    |       |     |     |    |    |    |    |    | K | K | F | K | K |
|                  | A    |       |    |    |    |    |    |    |    |    |     |     |     |        |    |    |    |    |       |     |     |    |    |    |    |    | N | N | N | N | N |
| 12P + 20S + 3ACP |      |       |    |    |    |    |    |    |    |    |     |     |     |        |    |    |    |    |       |     |     |    |    |    |    |    |   |   |   |   |   |

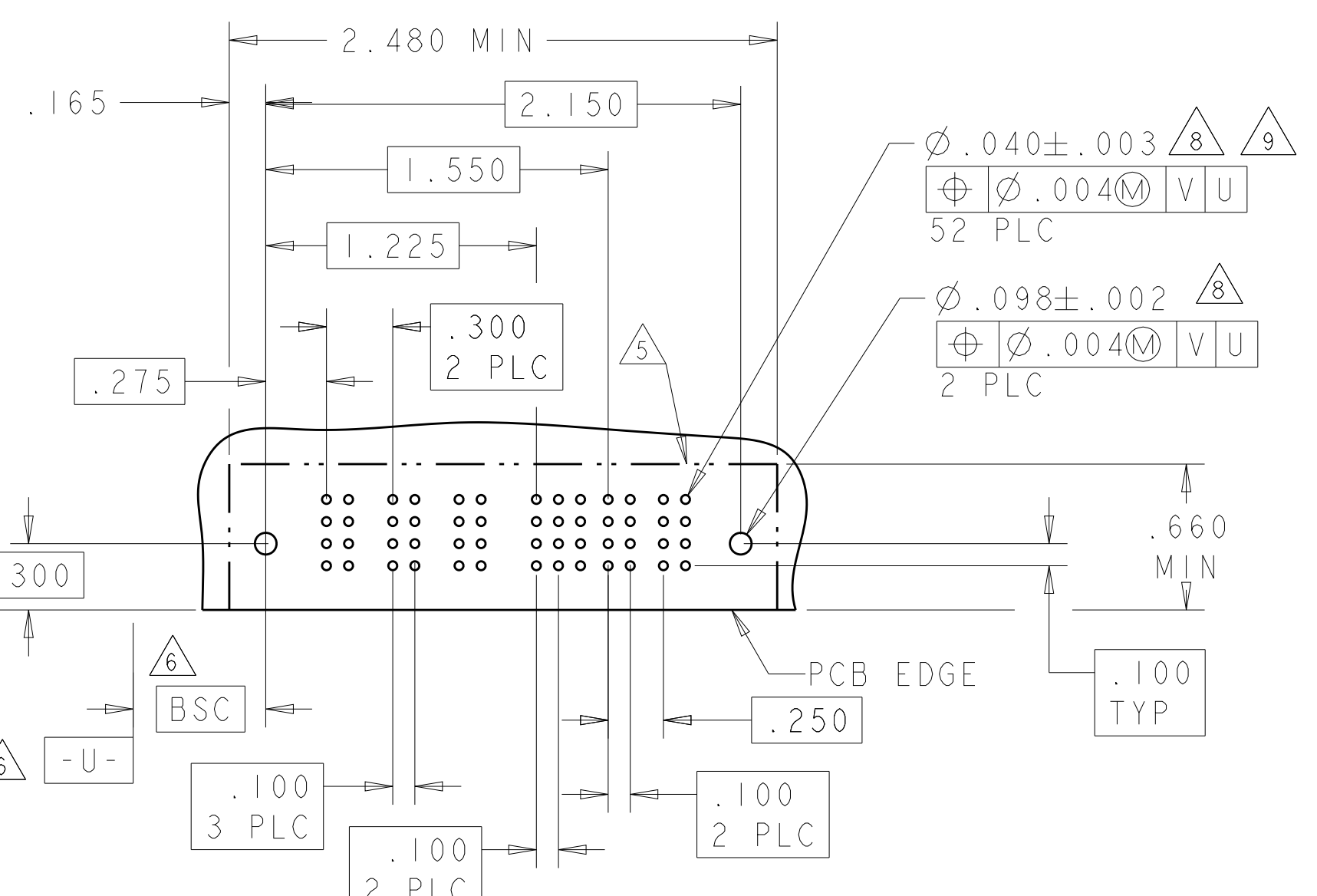


THIS DRAWING IS A CONTROLLED DOCUMENT.

|             |  |                              |                                  |
|-------------|--|------------------------------|----------------------------------|
| DIMENSIONS: | TOLERANCES UNLESS OTHERWISE SPECIFIED: | OWN: R. GRZYBOWSKI 14FEB2005 | CHK: M. PERCHERKE 14FEB2005      |
| INCHES      | 0 PLC ± .01                            | APVD: M. PERCHERKE 14FEB2005 | NAME: R. GRZYBOWSKI              |
|             | 1 PLC ± .005                           | PRODUCT SPEC                 | 108-1973                         |
|             | 2 PLC ± .0020                          | APPLICATION SPEC             | 114-13038                        |
|             | ANGLES ± .0020                         | WEIGHT                       | A100779C=6450130                 |
| MATERIAL:   | FINISH:                                | Customer Drawing             | SCALE: 4:1 SHEET 9 OF 28 REV: M2 |

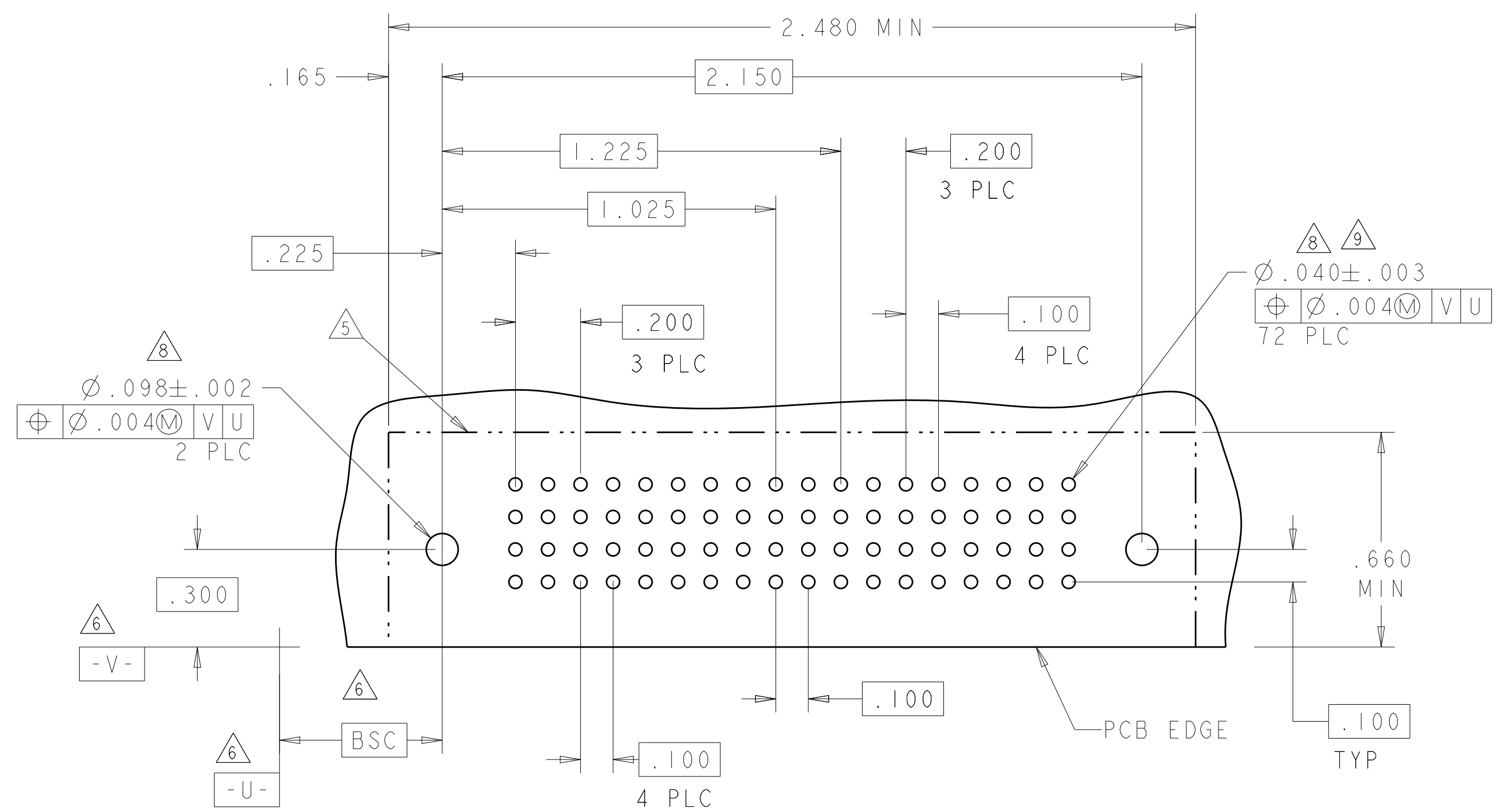
STE TE Connectivity  
RIGHT ANGLE HEADER ASSEMBLY W/GUIDES MULTI-BEAM XL

| PART NUMBER | ROWS             | POWER |    |    | SIGNAL |   |   |   | POWER |    |
|-------------|------------------|-------|----|----|--------|---|---|---|-------|----|
|             |                  | P1    | P2 | P3 | 1      | 2 | 3 | 4 | P4    | P5 |
| 3-6450130-9 | D<br>C<br>B<br>A | PM    | PM | PM | J      | J | J |   | PM    | PM |
|             |                  |       |    |    | K      | K | K |   |       |    |
|             |                  |       |    |    | N      | N | N |   |       |    |
|             |                  |       |    |    | S      | S | H |   |       |    |

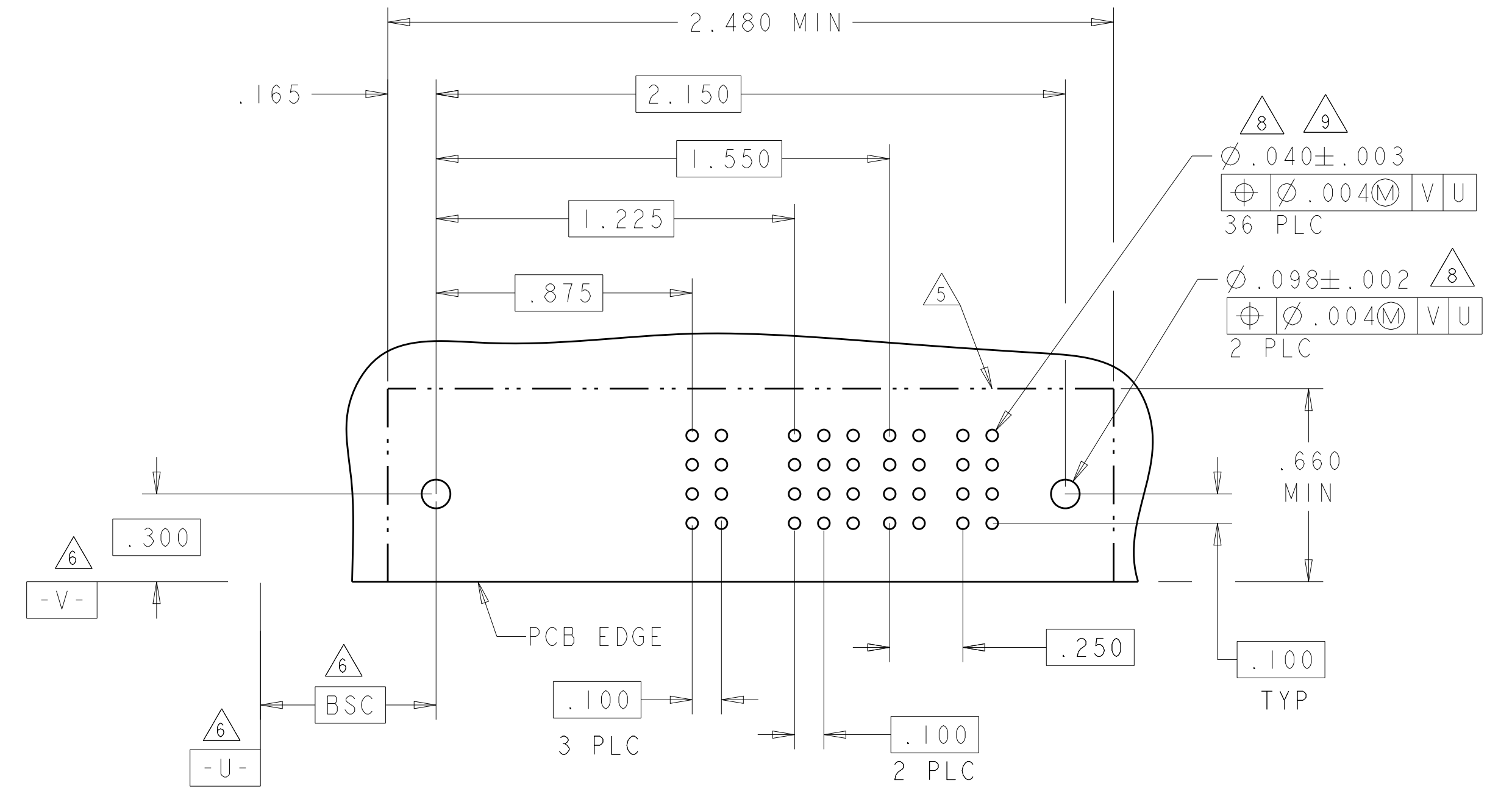


CONTACTS NOT LOADED

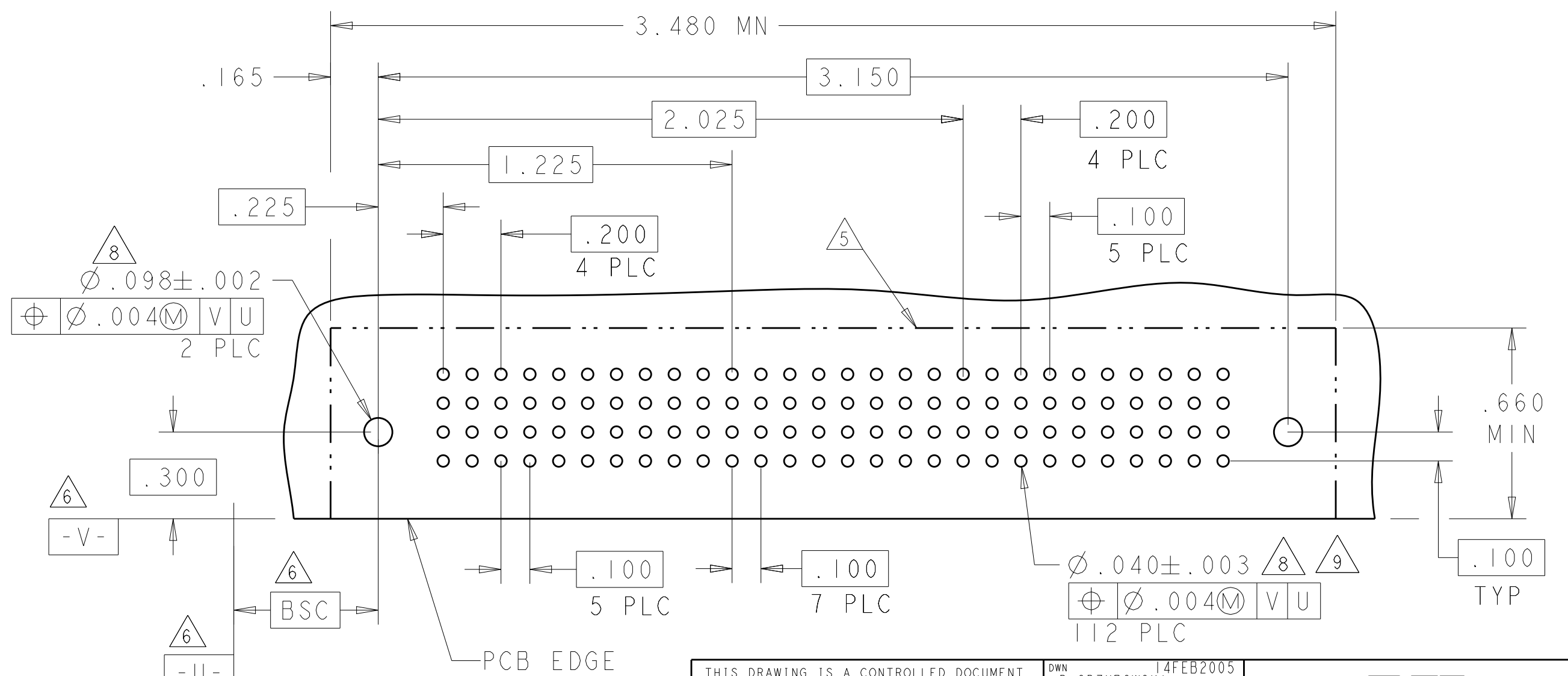
| PART NUMBER | ROWS             | POWER |    |    |    | SIGNAL |   |    |    | POWER |    |  |  |
|-------------|------------------|-------|----|----|----|--------|---|----|----|-------|----|--|--|
|             |                  | P1    | P2 | P3 | P4 | 1      | 2 | P5 | P6 | P7    | P8 |  |  |
| 4-6450130-0 | D<br>C<br>B<br>A | PA    | PA | PA | PA | Z      | Z | PA | PA | PA    | PA |  |  |
|             |                  |       |    |    |    | Y      | Y |    |    |       |    |  |  |
|             |                  |       |    |    |    | R      | R |    |    |       |    |  |  |
|             |                  |       |    |    |    | O      | O |    |    |       |    |  |  |



| PART NUMBER | ROWS             | POWER |    |    | SIGNAL |   |   |   | POWER |    |
|-------------|------------------|-------|----|----|--------|---|---|---|-------|----|
|             |                  | P1    | P2 | P3 | 1      | 2 | 3 | 4 | P4    | P5 |
| 4-6450130-3 | D<br>C<br>B<br>A |       |    | PM | J      | J | J |   | PM    | PM |
|             |                  |       |    |    | K      | K | K |   |       |    |
|             |                  |       |    |    | N      | N | N |   |       |    |
|             |                  |       |    |    | S      | S | H |   |       |    |



| PART NUMBER | ROWS             | POWER |    |    |    |    | SIGNAL |   |   |   |   |   |   |   | POWER |    |    |    |     |
|-------------|------------------|-------|----|----|----|----|--------|---|---|---|---|---|---|---|-------|----|----|----|-----|
|             |                  | P1    | P2 | P3 | P4 | P5 | 1      | 2 | 3 | 4 | 5 | 6 | 7 | 8 | P6    | P7 | P8 | P9 | P10 |
| 4-6450130-5 | D<br>C<br>B<br>A | PM    | PM | PM | PM | PM | J      | J | J | J | J | J | J | J | PM    | PM | PM | PM | PM  |
|             |                  |       |    |    |    |    | K      | K | K | K | K | K | K |   |       |    |    |    |     |
|             |                  |       |    |    |    |    | N      | N | N | N | N | N | N |   |       |    |    |    |     |
|             |                  |       |    |    |    |    | H      | H | H | H | H | H | H |   |       |    |    |    |     |



| LOC | DIST | REV | DATE | BY | APPV |
|-----|------|-----|------|----|------|
| ES  | 00   |     |      |    |      |

| REV | DATE        | BY | APPV |
|-----|-------------|----|------|
| -   | SEE SHEET 1 |    |      |

THIS DRAWING IS A CONTROLLED DOCUMENT.

DIMENSIONS: INCHES

TOLERANCES UNLESS OTHERWISE SPECIFIED:

0 PLC ±.01

1 PLC ±.01

2 PLC ±.01

3 PLC ±.005

4 PLC ±.002

ANGLES ±.002

MATERIAL: . . .

FINISH: . . .

OWN: R. GRZYBOWSKI 14FEB2005

CHK: M. PERCHERKE 14FEB2005

APPV: M. PERCHERKE 14FEB2005

PRODUCT SPEC: 108-1973

APPLICATION SPEC: 114-13038

WEIGHT: . . .

Customer Drawing

SCALE: 4:1

SHEET 10 OF 28

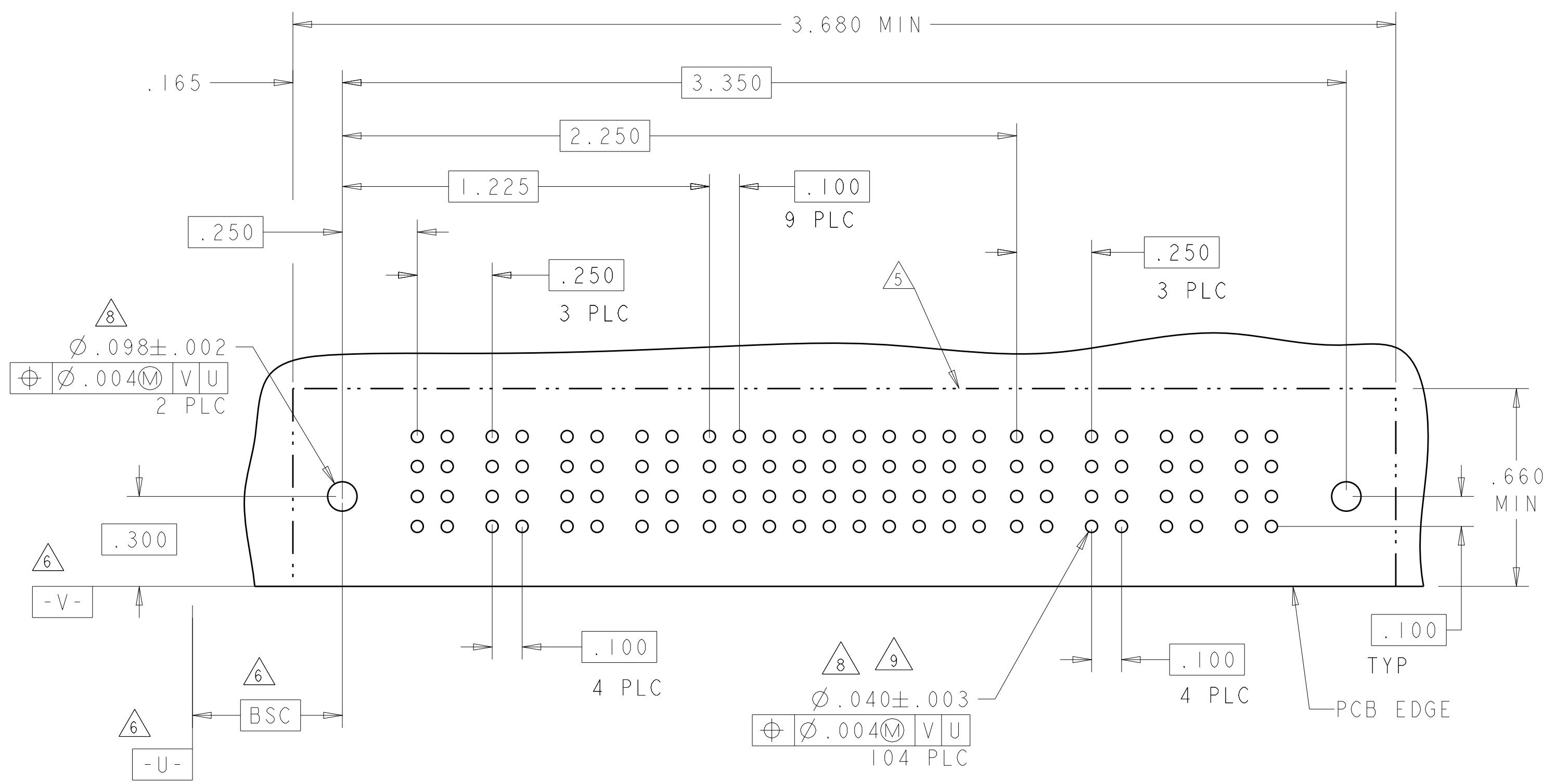
REV M2

STE TE Connectivity

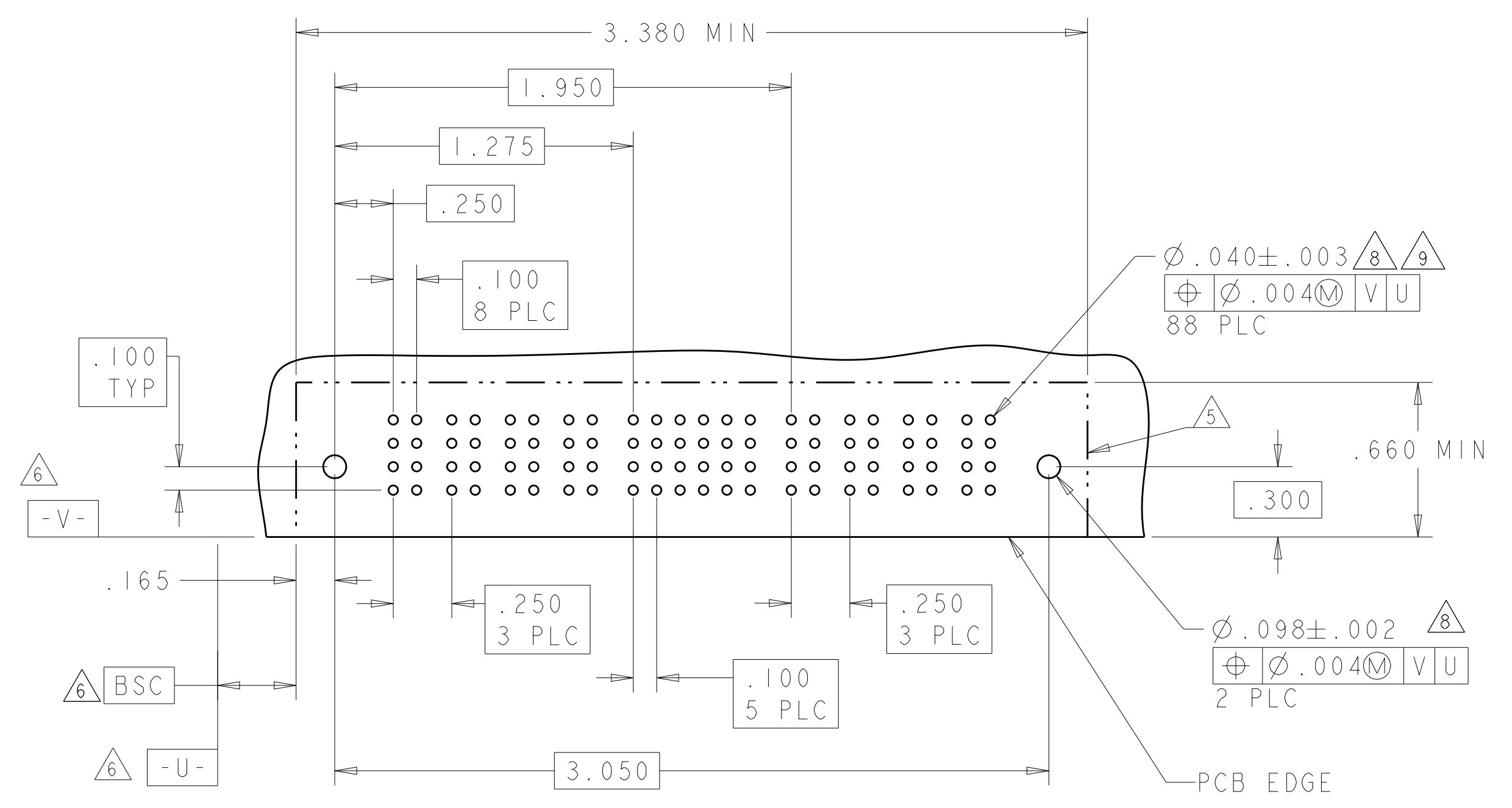
RIGHT ANGLE HEADER ASSEMBLY W/GUIDES MULTI-BEAM XL

SIZE: CAGE CODE: DRAWING NO: A100779C=6450130

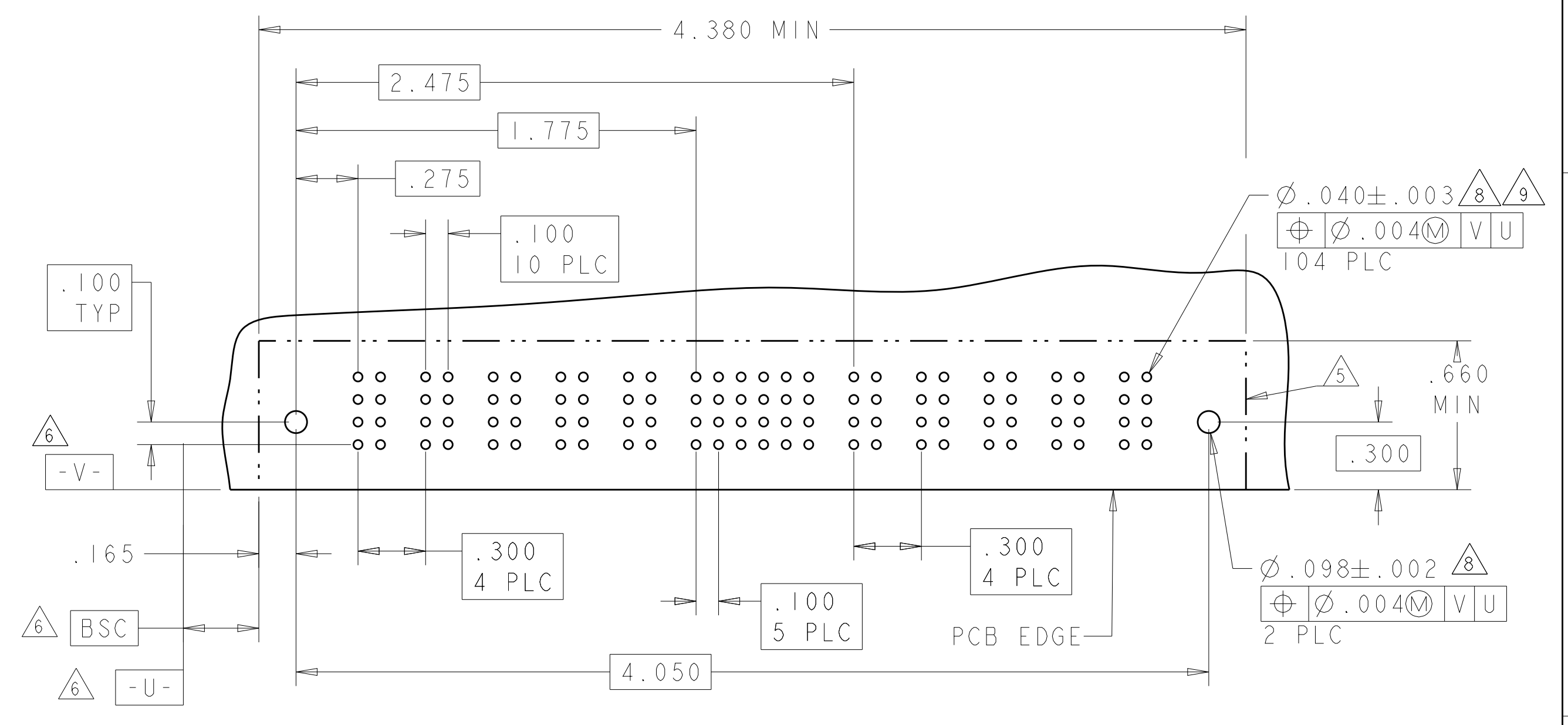
| PART NUMBER   | ROWS | POWER       |    |    |    | SIGNAL |   |   |   |   |   |   |   |   |    | POWER |    |    |    |    |    |    |    |   |
|---------------|------|-------------|----|----|----|--------|---|---|---|---|---|---|---|---|----|-------|----|----|----|----|----|----|----|---|
|               |      | P1          | P2 | P3 | P4 | 1      | 2 | 3 | 4 | 5 | 6 | 7 | 8 | 9 | 10 | P5    | P6 | P7 | P8 |    |    |    |    |   |
| 4-6450130-8   | D    | C<br>B<br>A | PM | PM | PM | J      | J | J | J | J | J | J | J | J | J  | J     | J  | J  | J  | PM | PM | PM | PM |   |
|               | K    |             |    |    |    | K      | K | K | K | K | K | K | K | K | K  | K     | K  | K  | K  |    |    |    |    | K |
|               | N    |             |    |    |    | N      | N | N | N | N | N | N | N | N | N  | N     | N  | N  | N  |    |    |    |    | N |
|               |      |             |    |    |    | H      | S | S | S | S | S | S | S | S | S  | S     | H  |    |    |    |    |    |    |   |
| 4P + 40S + 4P |      |             |    |    |    |        |   |   |   |   |   |   |   |   |    |       |    |    |    |    |    |    |    |   |



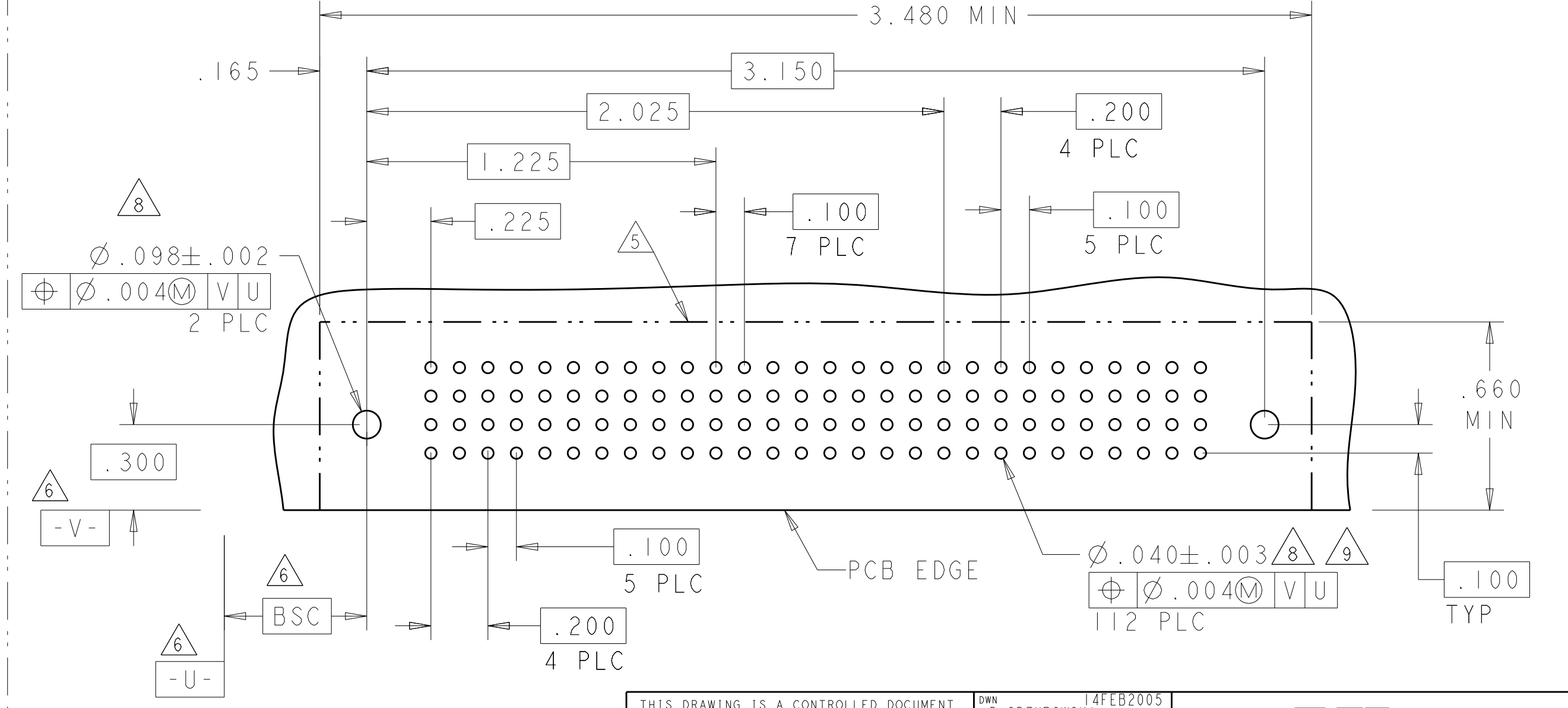
| PART NUMBER   | ROWS | POWER       |    |    |    | SIGNAL |   |   |   |   |   |    |    |    |    | POWER |   |   |    |    |    |    |   |   |
|---------------|------|-------------|----|----|----|--------|---|---|---|---|---|----|----|----|----|-------|---|---|----|----|----|----|---|---|
|               |      | P1          | P2 | P3 | P4 | 1      | 2 | 3 | 4 | 5 | 6 | P5 | P6 | P7 | P8 |       |   |   |    |    |    |    |   |   |
| 4-6450130-9   | D    | C<br>B<br>A | PM | PM | PM | J      | J | J | J | J | J | J  | J  | J  | J  | J     | J | J | PM | PM | PM | PM |   |   |
|               | K    |             |    |    |    | K      | K | K | K | K | K | K  | K  | K  | K  | K     | K | K |    |    |    |    | K | K |
|               | N    |             |    |    |    | N      | N | N | N | N | N | N  | N  | N  | N  | N     | N | N |    |    |    |    | N | N |
|               |      |             |    |    |    | H      | H | H | H | H | H | H  | H  | H  | H  | H     |   |   |    |    |    |    |   |   |
| 4P + 24S + 4P |      |             |    |    |    |        |   |   |   |   |   |    |    |    |    |       |   |   |    |    |    |    |   |   |



| PART NUMBER       | ROWS | POWER       |    |    |    |    | SIGNAL |   |   |   |   |   |    |    |    |    | POWER |   |   |    |    |    |    |   |   |   |
|-------------------|------|-------------|----|----|----|----|--------|---|---|---|---|---|----|----|----|----|-------|---|---|----|----|----|----|---|---|---|
|                   |      | P1          | P2 | P3 | P4 | P5 | 1      | 2 | 3 | 4 | 5 | 6 | P6 | P7 | P8 | P9 | P10   |   |   |    |    |    |    |   |   |   |
| 5-6450130-0       | D    | C<br>B<br>A | PM | PM | PM | PM | PM     | J | J | J | J | J | J  | J  | J  | J  | J     | J | J | PM | PM | PM | PM |   |   |   |
|                   | K    |             |    |    |    |    |        | K | K | K | K | K | K  | K  | K  | K  | K     | K | K |    |    |    |    | K | K | K |
|                   | N    |             |    |    |    |    |        | N | N | N | N | N | N  | N  | N  | N  | N     | N | N |    |    |    |    | N | N | N |
|                   |      |             |    |    |    |    |        | H | H | H | H | H | H  | H  | H  | H  |       |   |   |    |    |    |    |   |   |   |
| 5ACP + 24S + 5ACP |      |             |    |    |    |    |        |   |   |   |   |   |    |    |    |    |       |   |   |    |    |    |    |   |   |   |



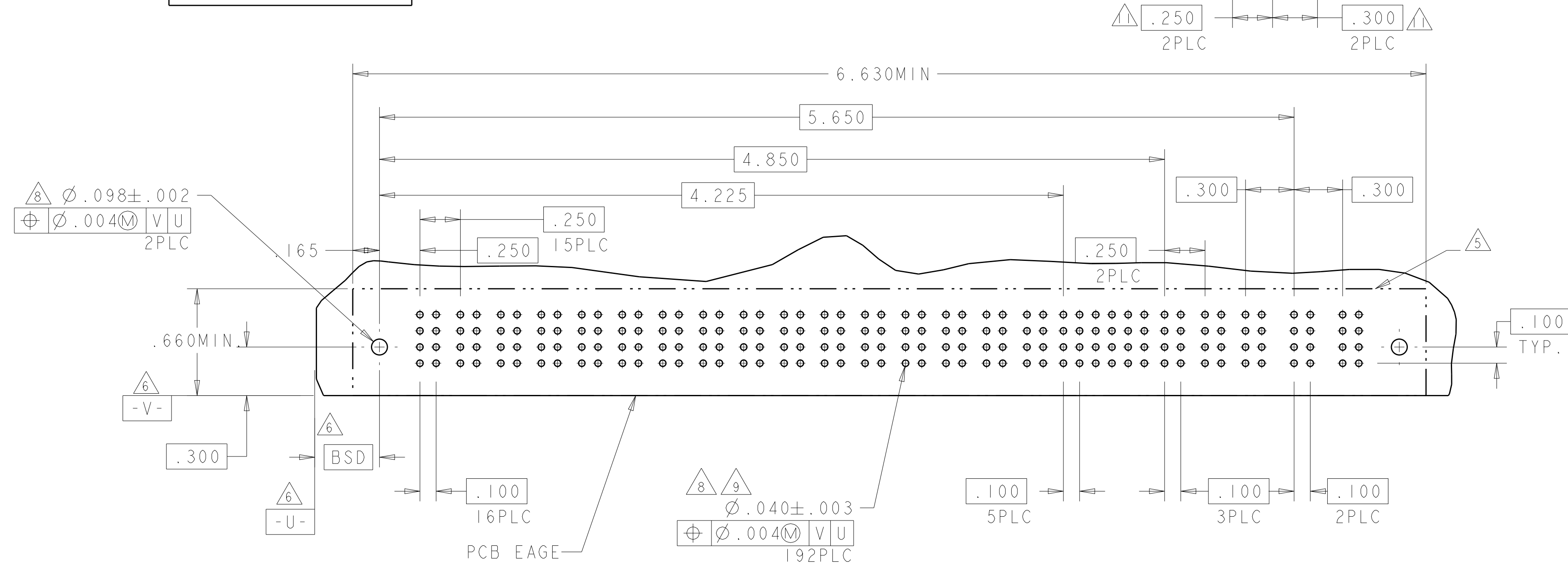
| PART NUMBER   | ROWS | POWER       |    |    |    |    | SIGNAL |   |   |   |   |   |   |   |    |    | POWER |    |     |    |    |    |    |   |   |   |
|---------------|------|-------------|----|----|----|----|--------|---|---|---|---|---|---|---|----|----|-------|----|-----|----|----|----|----|---|---|---|
|               |      | P1          | P2 | P3 | P4 | P5 | 1      | 2 | 3 | 4 | 5 | 6 | 7 | 8 | P6 | P7 | P8    | P9 | P10 |    |    |    |    |   |   |   |
| 5-6450130-5   | D    | C<br>B<br>A | PM | PM | PM | PM | PM     | J | J | J | J | J | J | J | J  | J  | J     | J  | J   | PM | PM | PM | PM |   |   |   |
|               | K    |             |    |    |    |    |        | K | K | K | K | K | K | K | K  | K  | K     | K  | K   |    |    |    |    | K | K | K |
|               | N    |             |    |    |    |    |        | N | N | N | N | N | N | N | N  | N  | N     | N  | N   |    |    |    |    | N | N | N |
|               |      |             |    |    |    |    |        | H | H | H | H | H | H | H | H  | H  |       |    |     |    |    |    |    |   |   |   |
| 5P + 32S + 5P |      |             |    |    |    |    |        |   |   |   |   |   |   |   |    |    |       |    |     |    |    |    |    |   |   |   |



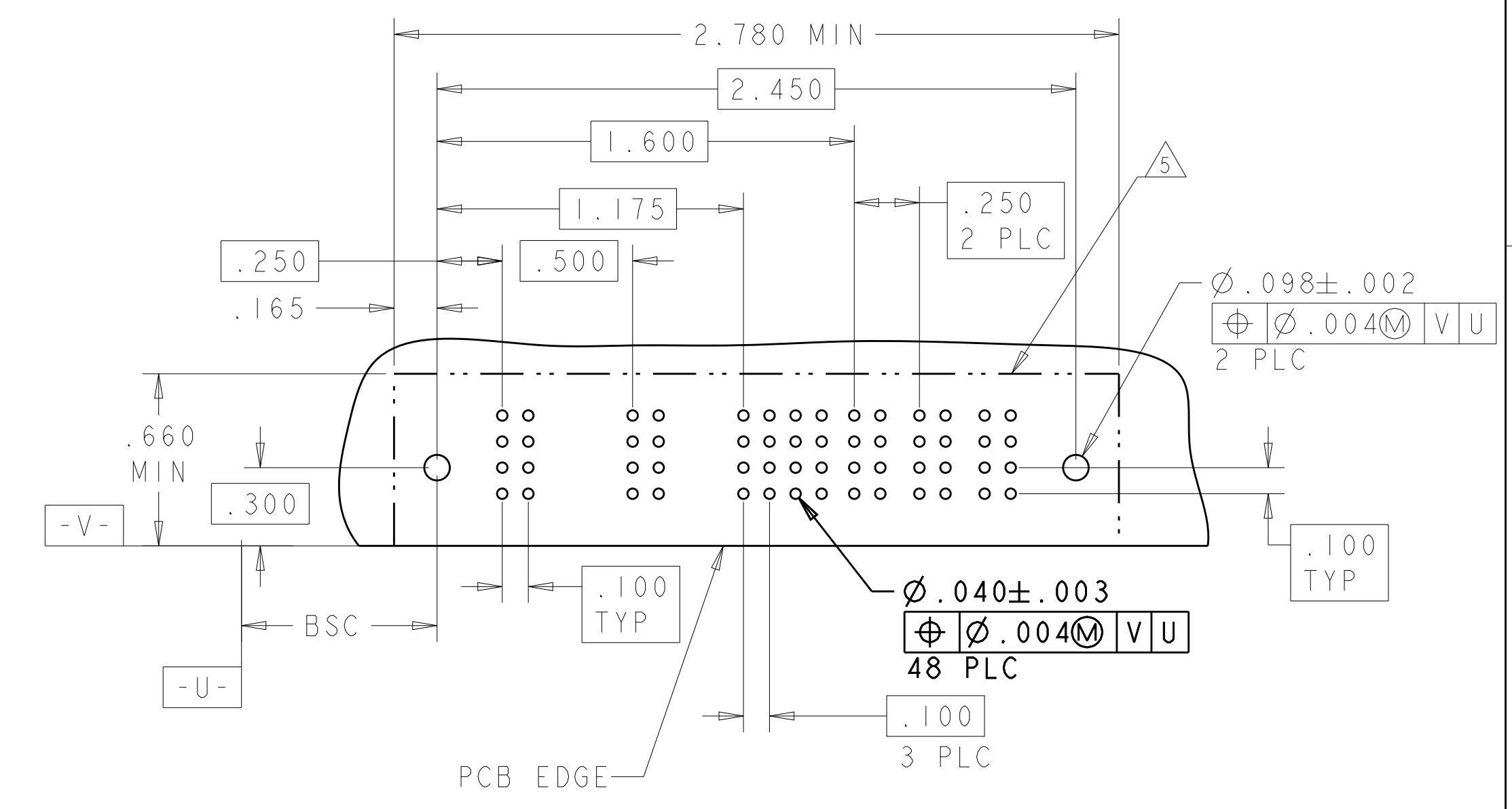
|  |  |                              |  |
|--|--|------------------------------|--|
| THIS DRAWING IS A CONTROLLED DOCUMENT. |  | DWN: R. GRZYBOWSKI 14FEB2005 | <b>STE</b> TE Connectivity                               |
| DIMENSIONS: INCHES                     |  | CHK: M. PERCHERKE 14FEB2005  |  |
| TOLERANCES UNLESS OTHERWISE SPECIFIED: |  | APVD: M. PERCHERKE 14FEB2005 | NAME: RIGHT ANGLE HEADER ASSEMBLY W/GUIDES MULTI-BEAM XL |
| 0 PLC ±.01                             |  | PRODUCT SPEC: 108-1973       | SIZE: A1   |
| 2 PLC ±.01                             |  | APPLICATION SPEC: 114-13038  | CAGE CODE: C=6450130                                     |
| 3 PLC ±.005                            |  | WEIGHT:                      | DRAWING NO: 1100779                                      |
| 4 PLC ±.002                            |  | REVISIONS:                   | REV: M2  |
| ANGLES .0020                           |  | Customer Drawing             | SCALE: 4:1   |
| MATERIAL:                              |  | Customer Drawing             | SHEET 11 OF 28   |

| LOC |    | DIST |     | REVISIONS   |      |     |      |
|-----|----|------|-----|-------------|------|-----|------|
| ES  | 00 | P    | LTM | DESCRIPTION | DATE | OWN | APVD |
|     |    |      |     | SEE SHEET 1 |      |     |      |

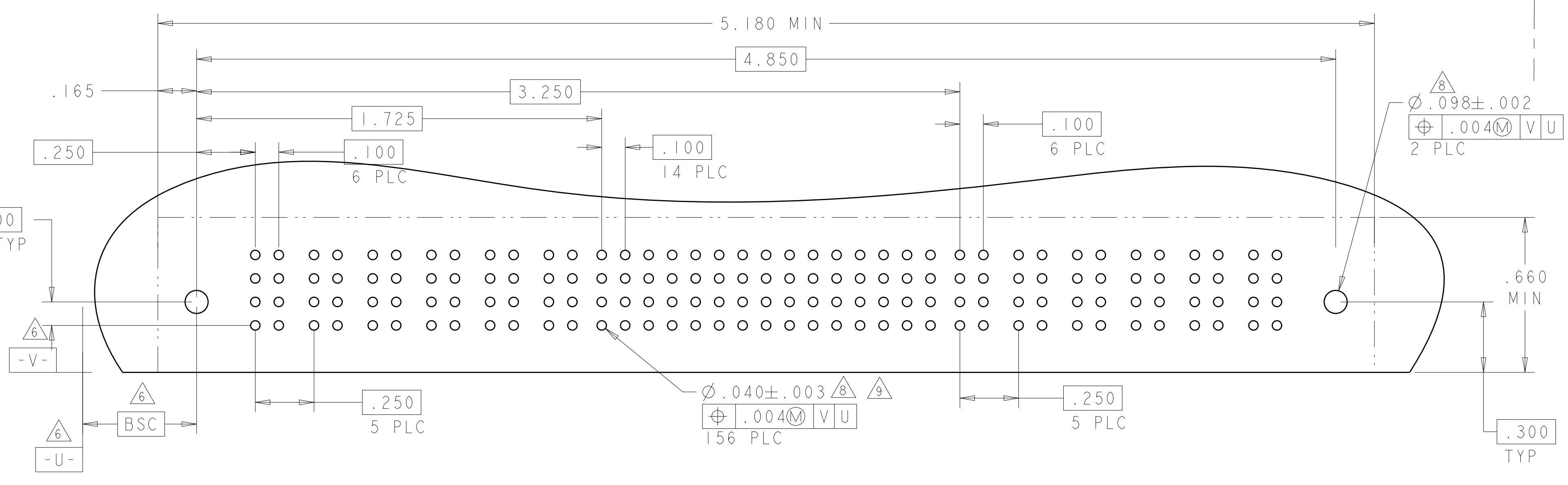
| PART NUMBER           | ROWS             | POWER |    |    |    |    |    |    |    |    |     |     |     |     |     |     | SIGNAL |    |   |    |   |    | POWER |     |     |     |     |
|-----------------------|------------------|-------|----|----|----|----|----|----|----|----|-----|-----|-----|-----|-----|-----|--------|----|---|----|---|----|-------|-----|-----|-----|-----|
|                       |                  | P1    | P2 | P3 | P4 | P5 | P6 | P7 | P8 | P9 | P10 | P11 | P12 | P13 | P14 | P15 | P16    | 1  | 2 | 3  | 4 | 5  | 6     | P17 | P18 | P19 | P20 |
| 7-6450130-4           | D<br>C<br>B<br>A | PM    | PM | PM | PM | PM | PM | PM | PM | PM | PM  | PM  | PM  | PM  | PM  | PM  | E      | J  | J | J  | J | J  | PM    | PM  | PM  | PM  | PM  |
|                       |                  |       |    |    |    |    |    |    |    |    |     |     |     |     |     |     | K      | K  | K | K  | K | K  |       |     |     |     |     |
|                       |                  |       |    |    |    |    |    |    |    |    |     |     |     |     |     |     |        | N  | N | N  | N | N  | N     |     |     |     |     |
|                       |                  |       |    |    |    |    |    |    |    |    |     |     |     |     |     |     | S      | S  | S | S  | S | S  | H     |     |     |     |     |
|                       |                  | HD    |    | HD |    | HD |    | HD |    | HD |     | HD  |     | HD  |     | HD  |        | HD |   | HD |   | HD |       | HD  |     | HD  |     |
| 16P + 24S + 2P + 3ACP |                  |       |    |    |    |    |    |    |    |    |     |     |     |     |     |     |        |    |   |    |   |    |       |     |     |     |     |



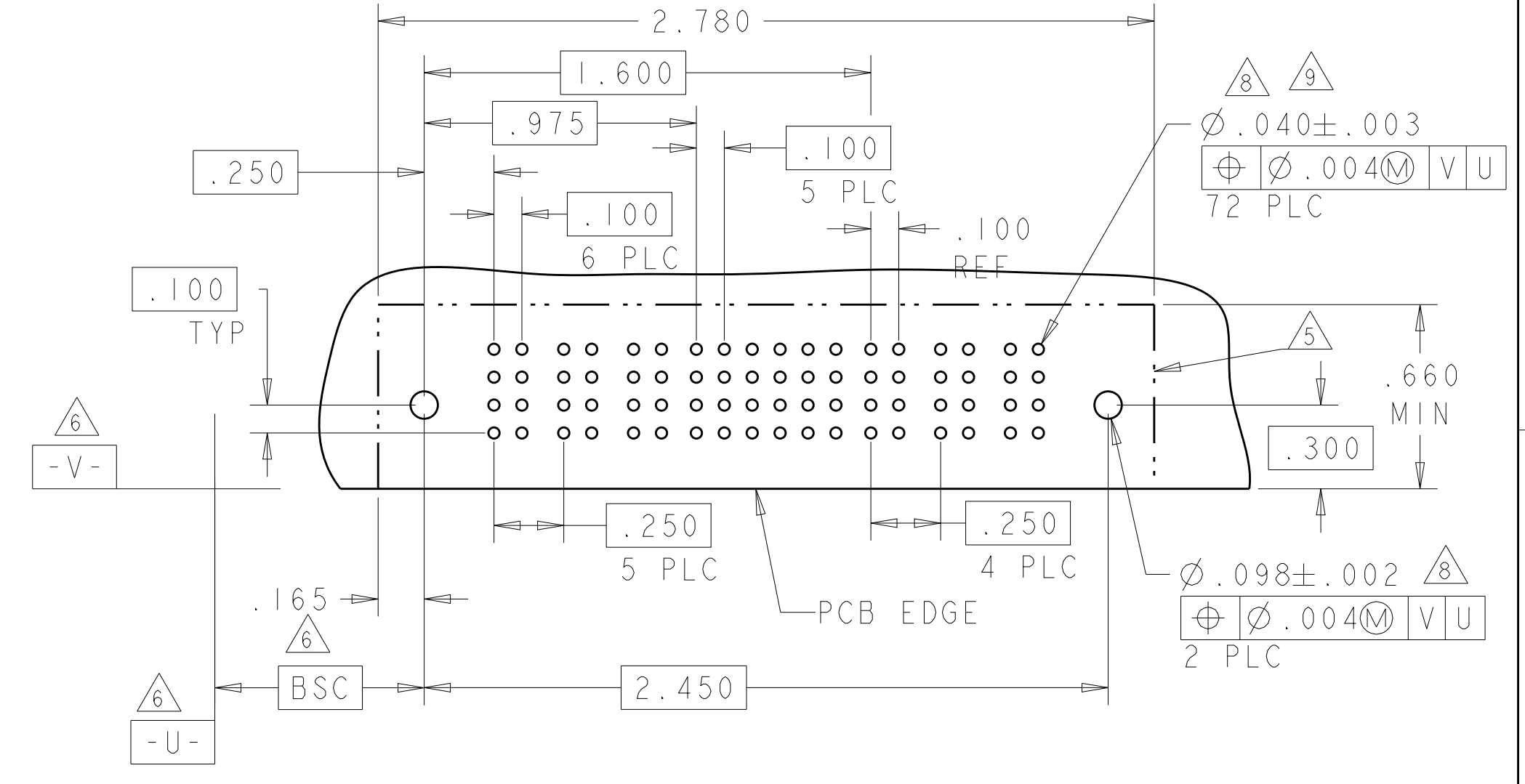
| PART NUMBER   | ROWS             | POWER |    |    | SIGNAL |    |   |    |   |    | POWER |    |    |    |  |
|---------------|------------------|-------|----|----|--------|----|---|----|---|----|-------|----|----|----|--|
|               |                  | P1    | P2 | P3 | 1      | 2  | 3 | 4  | 5 | 6  | P4    | P5 | P6 |    |  |
| 7-6450130-5   | D<br>C<br>B<br>A | PM    | PM | PM |        | J  | J | J  | J | J  | PM    | PM | PM |    |  |
|               |                  |       |    |    |        | K  | K | K  | K | K  |       |    |    |    |  |
|               |                  |       |    |    |        | N  | N | N  | N | N  |       |    |    |    |  |
|               |                  |       |    | S  | S      | S  | S | S  | H |    |       |    |    |    |  |
|               |                  | HD    |    | HD |        | HD |   | HD |   | HD |       | HD |    | HD |  |
| 3P + 24S + 3P |                  |       |    |    |        |    |   |    |   |    |       |    |    |    |  |



| PART NUMBER   | ROWS             | POWER |    |    |    |    |    | SIGNAL |   |    |   |    |   |    |   |    |    |    |    |    |    |    | POWER |    |    |     |     |     |    |
|---------------|------------------|-------|----|----|----|----|----|--------|---|----|---|----|---|----|---|----|----|----|----|----|----|----|-------|----|----|-----|-----|-----|----|
|               |                  | P1    | P2 | P3 | P4 | P5 | P6 | 1      | 2 | 3  | 4 | 5  | 6 | 7  | 8 | 9  | 10 | 11 | 12 | 13 | 14 | 15 | P7    | P8 | P9 | P10 | P11 | P12 |    |
| 7-6450130-7   | D<br>C<br>B<br>A | PM    | PM | PM | PM | PM | PM | J      | J | J  | J | J  | J | J  | J | J  | J  | J  | J  | J  | J  | J  | J     | PM | PM | PM  | PM  | PM  | PM |
|               |                  |       |    |    |    |    |    | K      | K | K  | K | K  | K | K  | K | K  | K  | K  | K  | K  | K  | K  | K     |    |    |     |     |     |    |
|               |                  |       |    |    |    |    |    | N      | N | N  | N | N  | N | N  | N | N  | N  | N  | N  | N  | N  | N  | N     | N  |    |     |     |     |    |
|               |                  |       |    |    |    | S  | S  | S      | S | S  | S | S  | S | S  | S | S  | S  | S  | S  | S  | S  | S  | H     |    |    |     |     |     |    |
|               |                  | HD    |    | HD |    | HD |    | HD     |   | HD |   | HD |   | HD |   | HD |    | HD |    | HD |    | HD |       | HD |    | HD  |     |     |    |
| 6P + 60S + 6P |                  |       |    |    |    |    |    |        |   |    |   |    |   |    |   |    |    |    |    |    |    |    |       |    |    |     |     |     |    |

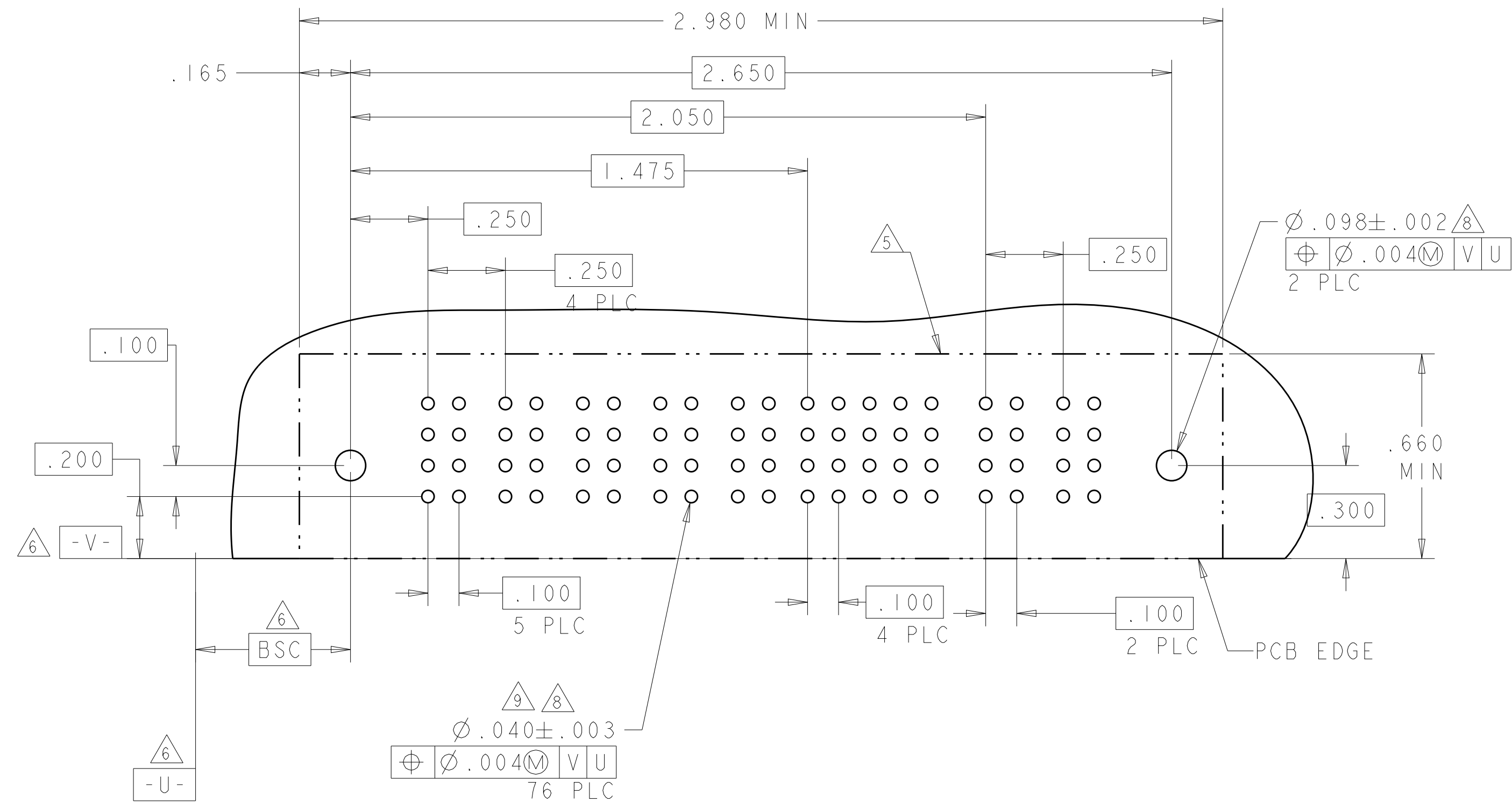


| PART NUMBER   | ROWS             | POWER |    |    | SIGNAL |    |   |    |   |    | POWER |    |    |
|---------------|------------------|-------|----|----|--------|----|---|----|---|----|-------|----|----|
|               |                  | P1    | P2 | P3 | 1      | 2  | 3 | 4  | 5 | 6  | P4    | P5 | P6 |
| 7-6450130-8   | D<br>C<br>B<br>A | PM    | PM | PM | J      | J  | J | J  | J | E  | PM    | PM | PM |
|               |                  |       |    |    | K      | K  | K | K  | K | K  |       |    |    |
|               |                  |       |    |    | N      | N  | N | N  | N | N  |       |    |    |
|               |                  |       | S  | S  | S      | S  | S | S  | H |    |       |    |    |
|               |                  | HD    |    | HD |        | HD |   | HD |   | HD |       | HD |    |
| 3P + 24S + 3P |                  |       |    |    |        |    |   |    |   |    |       |    |    |



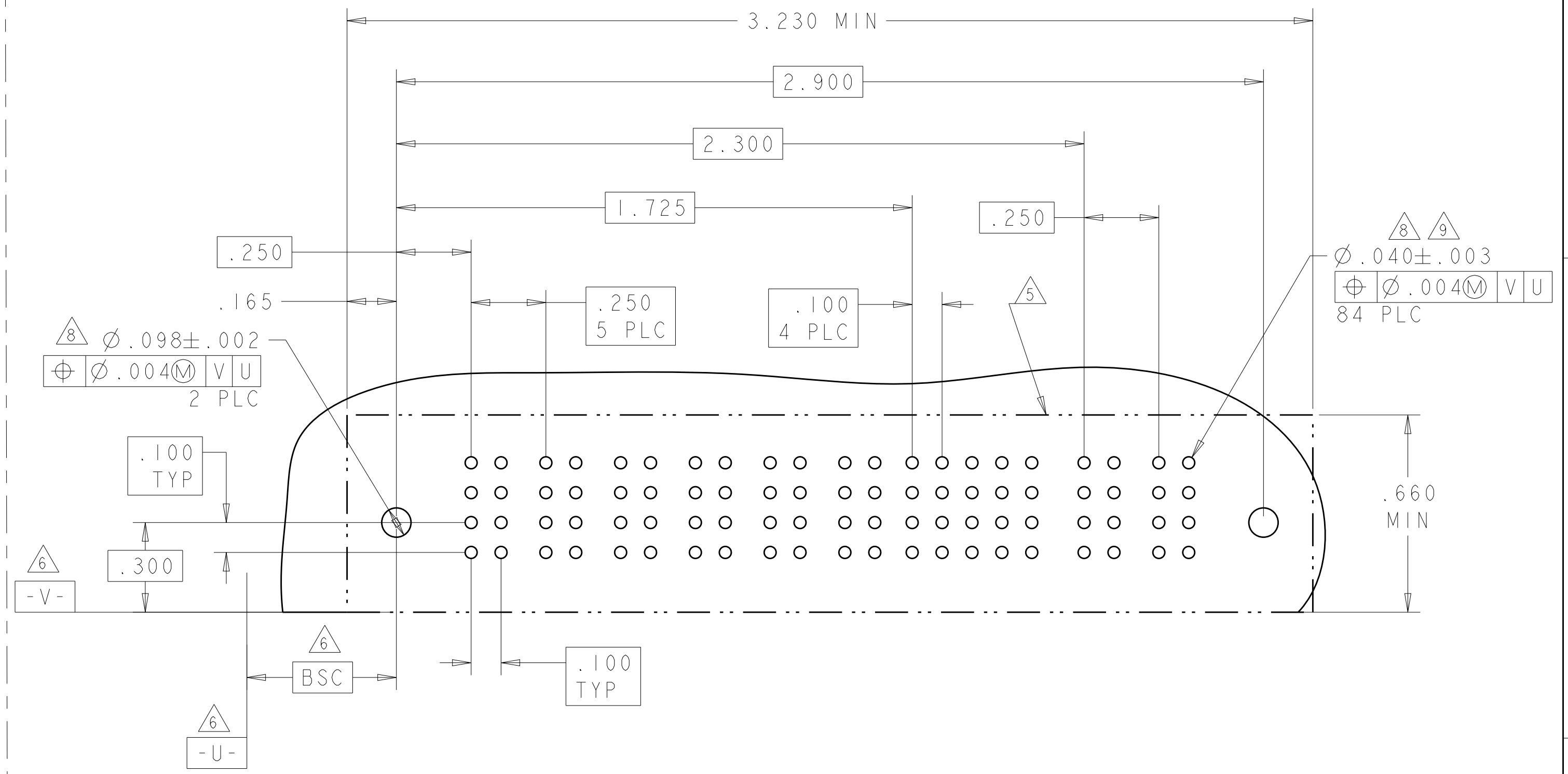
|  |  |                              |                        |  |
|--|--|------------------------------|------------------------|--|
| THIS DRAWING IS A CONTROLLED DOCUMENT.                       |  | OWN: R. GRZYBOWSKI 14FEB2005 |                        | TE Connectivity  |
| DIMENSIONS: INCHES   |  | CHK: M. PERCHERKE 14FEB2005  |                        | NAME: RIGHT ANGLE HEADER ASSEMBLY W/GUIDES MULTI-BEAM XL |
| TOLERANCES UNLESS OTHERWISE SPECIFIED:                       |  | APVD: M. PERCHERKE 14FEB2005 | PRODUCT SPEC: 108-1973 | SIZE: CAGE CODE: DRAWING NO: A100779C=6450130            |
| 0 PLC ±.01<br>1-3 PLC ±.005<br>4-5 PLC ±.002<br>ANGLES ±.020 |  | APPLICATION SPEC: 114-13038  | REVISIONS:             | RESTRICTED TO: REV M2                                    |
| MATERIAL:  |  | WEIGHT:                      | SCALE: 4:1             | SHEET 12 OF 28   |
| FINISH:  |  | Customer Drawing             |                        |  |

| PART NUMBER   | ROWS | POWER |    |    |    |    | SIGNAL |   |   |   |   | POWER |    |    |
|---------------|------|-------|----|----|----|----|--------|---|---|---|---|-------|----|----|
|               |      | P1    | P2 | P3 | P4 | P5 | 1      | 2 | 3 | 4 | 5 | P6    | P7 |    |
| 7-6450130-9   | D    | PM    | PM | PM | PM | PM | J      | J | J | J | J | PM    | PM |    |
|               | C    |       |    |    |    |    | K      | K | K | K | K |       |    |    |
|               | B    |       |    |    |    |    | N      | G | N | N | N |       |    |    |
|               | A    |       |    |    |    |    | S      | S | S | S | S |       |    |    |
|               |      | HD    |    |    |    |    |        |   |   |   |   |       |    | HD |
| 5P + 20S + 2P |      |       |    |    |    |    |        |   |   |   |   |       |    |    |



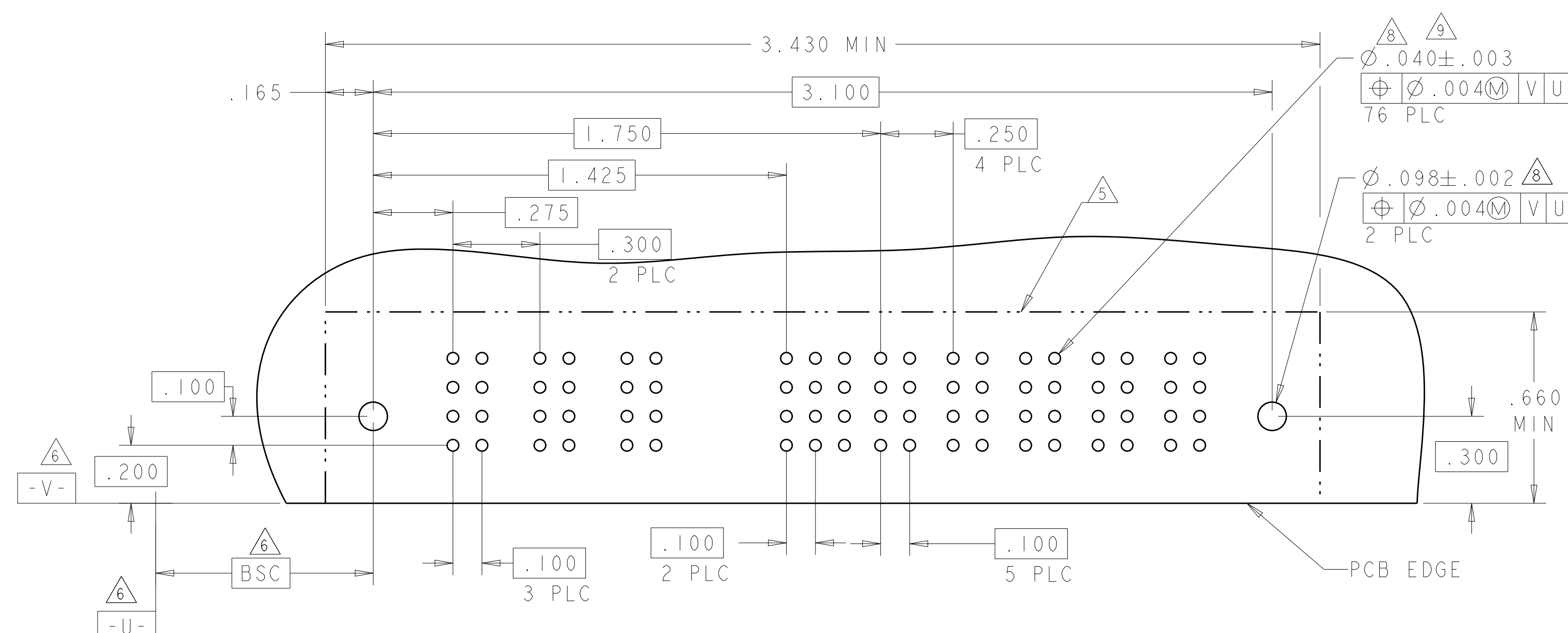
| LOC | DIST | REVISIONS |     |             |      |     |      |
|-----|------|-----------|-----|-------------|------|-----|------|
| ES  | 00   | P         | LTN | DESCRIPTION | DATE | DMN | APVD |
|     |      | -         |     | SEE SHEET 1 |      |     |      |

| PART NUMBER   | ROWS | POWER |    |    |    |    |    | SIGNAL |   |   |   |   | POWER |    |
|---------------|------|-------|----|----|----|----|----|--------|---|---|---|---|-------|----|
|               |      | P1    | P2 | P3 | P4 | P5 | P6 | 1      | 2 | 3 | 4 | 5 | P7    | P8 |
| 8-6450130-0   | D    | PM    | PM | PM | PM | PM | PM | J      | J | J | J | J | PM    | PM |
|               | C    |       |    |    |    |    |    | K      | K | K | K | K |       |    |
|               | B    |       |    |    |    |    |    | N      | G | N | N | N |       |    |
|               | A    |       |    |    |    |    |    | S      | S | S | S | S |       |    |
|               |      | HD    |    |    |    |    |    |        |   |   |   |   |       | HD |
| 6P + 20S + 2P |      |       |    |    |    |    |    |        |   |   |   |   |       |    |

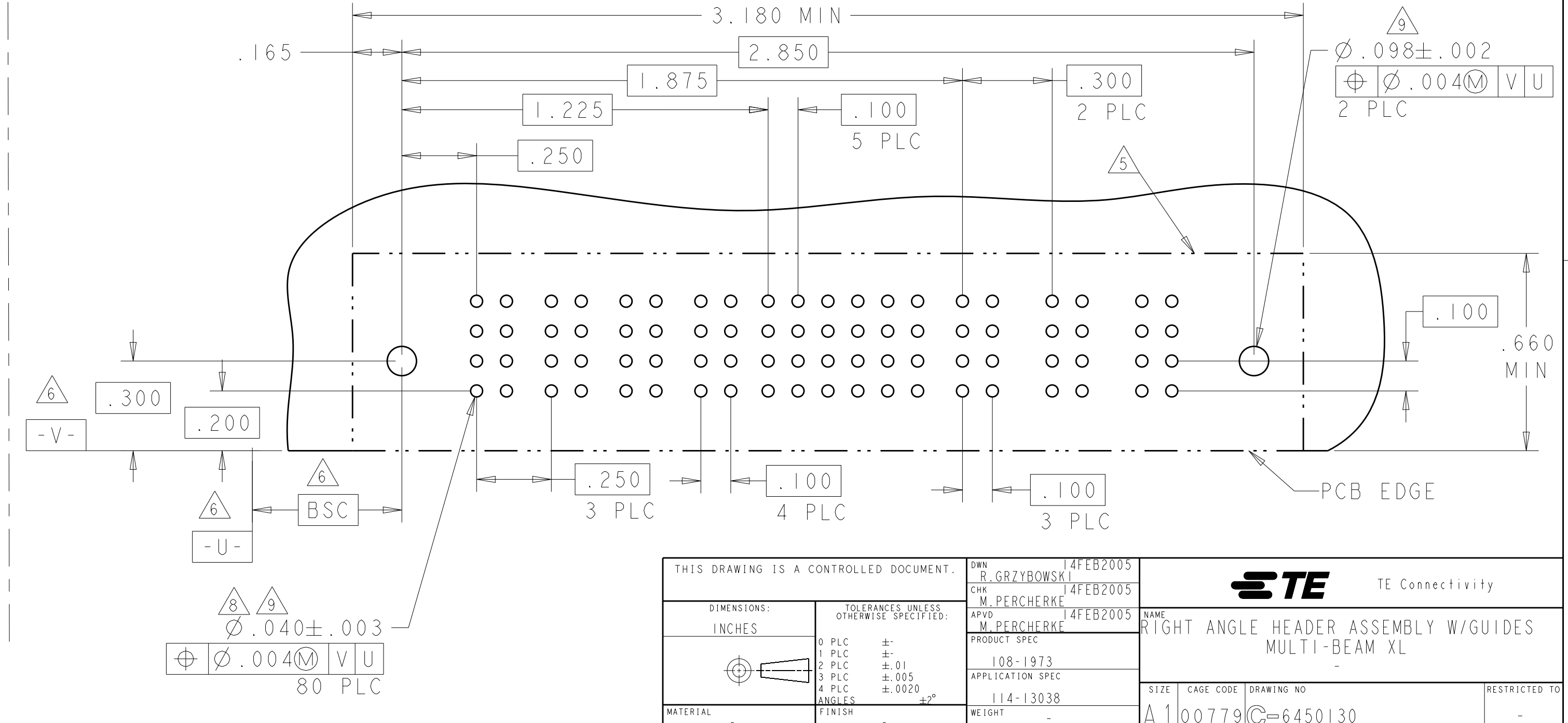


| PART NUMBER     | ROWS | POWER |    |    | SIGNAL |   |   |   |   |   | POWER |    |    |    |    |
|-----------------|------|-------|----|----|--------|---|---|---|---|---|-------|----|----|----|----|
|                 |      | P1    | P2 | P3 | 1      | 2 | 3 | 4 | 5 | 6 | P4    | P5 | P6 | P7 | P8 |
| 7-6450130-6     | D    | PM    | PM | PM |        |   |   |   |   |   | PM    | PM | PM | PM | PM |
|                 | C    |       |    |    |        |   |   |   |   |   |       |    |    |    |    |
|                 | B    |       |    |    |        |   |   |   |   |   |       |    |    |    |    |
|                 | A    |       |    |    |        |   |   |   |   |   |       |    |    |    |    |
|                 |      | HD    |    |    |        |   |   |   |   |   |       |    |    | HD |    |
| 3ACP + 24S + 5P |      |       |    |    |        |   |   |   |   |   |       |    |    |    |    |

NO CONTACTS LOADER



| PART NUMBER     | ROWS | POWER |    |    |    | SIGNAL |   |   |   |   |   | POWER |    |    |
|-----------------|------|-------|----|----|----|--------|---|---|---|---|---|-------|----|----|
|                 |      | P1    | P2 | P3 | P4 | 1      | 2 | 3 | 4 | 5 | 6 | P5    | P6 | P7 |
| 8-6450130-2     | D    | PM    | PM | PM | PM | J      | J | J | J | J | J | PM    | PM | PM |
|                 | C    |       |    |    |    | K      | K | K | K | K | K |       |    |    |
|                 | B    |       |    |    |    | N      | N | N | N | N | N |       |    |    |
|                 | A    |       |    |    |    | S      | S | S | S | S | H |       |    |    |
|                 |      | HD    |    |    |    |        |   |   |   |   |   |       |    | HD |
| 4P + 24S + 3ACP |      |       |    |    |    |        |   |   |   |   |   |       |    |    |



THIS DRAWING IS A CONTROLLED DOCUMENT.

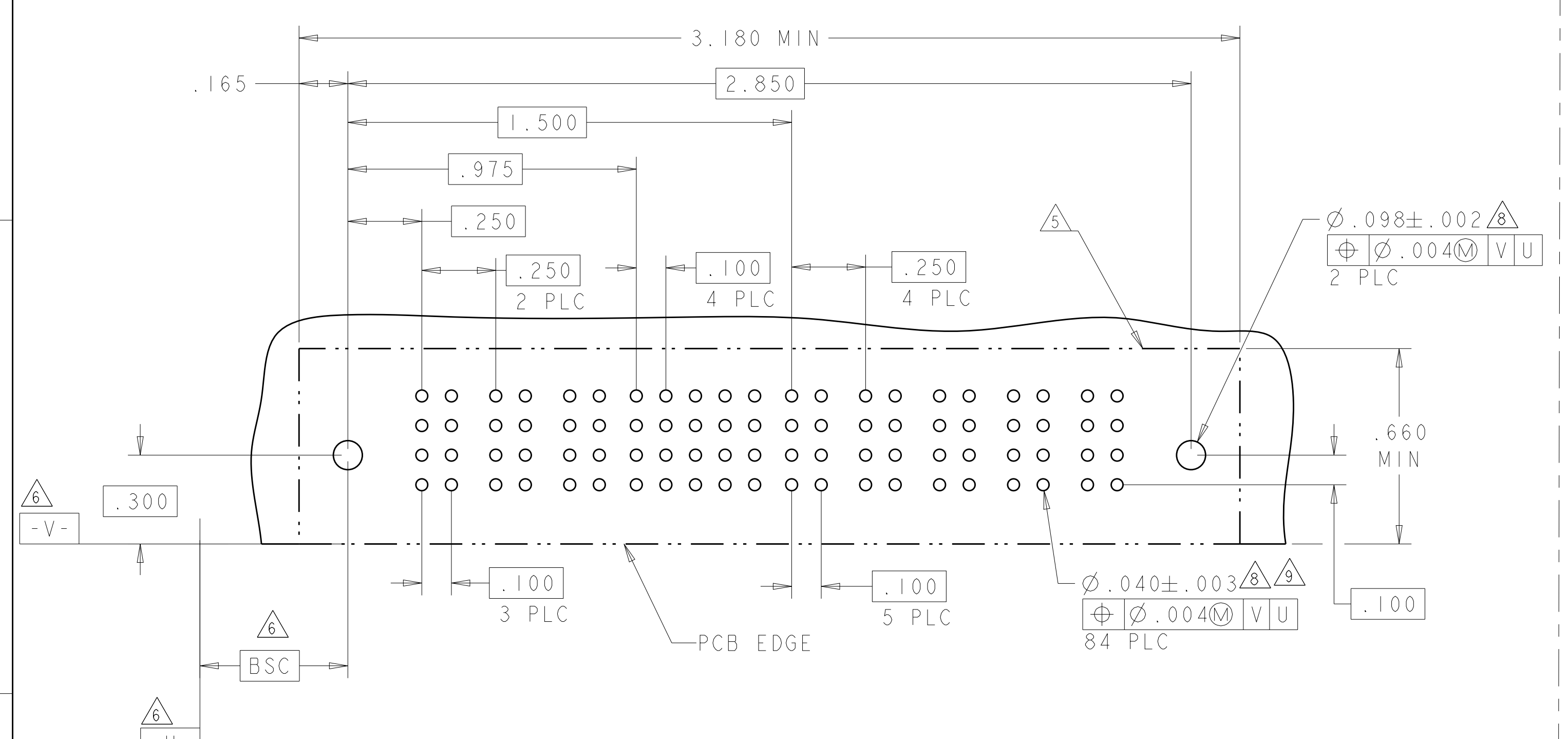
|                           |  |   |   |
|---------------------------|--|---|---|
| DIMENSIONS:<br>INCHES<br> | TOLERANCES UNLESS OTHERWISE SPECIFIED:<br>0 PLC ±.<br>1 PLC ±.01<br>2 PLC ±.01<br>3 PLC ±.005<br>4 PLC ±.002<br>ANGLES ±.020 | OWN: R. GRZYBOWSKI 4FEB2005<br>CHK: M. PERCHERKE 14FEB2005<br>APVD: M. PERCHERKE 14FEB2005<br>PRODUCT SPEC<br>108-1973<br>APPLICATION SPEC<br>114-13038<br>WEIGHT<br>Customer Drawing | TE Connectivity<br>NAME: RIGHT ANGLE HEADER ASSEMBLY W/GUIDES MULTI-BEAM XL<br>SIZE: CAGE CODE DRAWING NO: A100779C=6450130<br>RESTRICTED TO: |
|---------------------------|--|---|---|

SCALE: 4:1 SHEET 13 OF 28 REV: M2

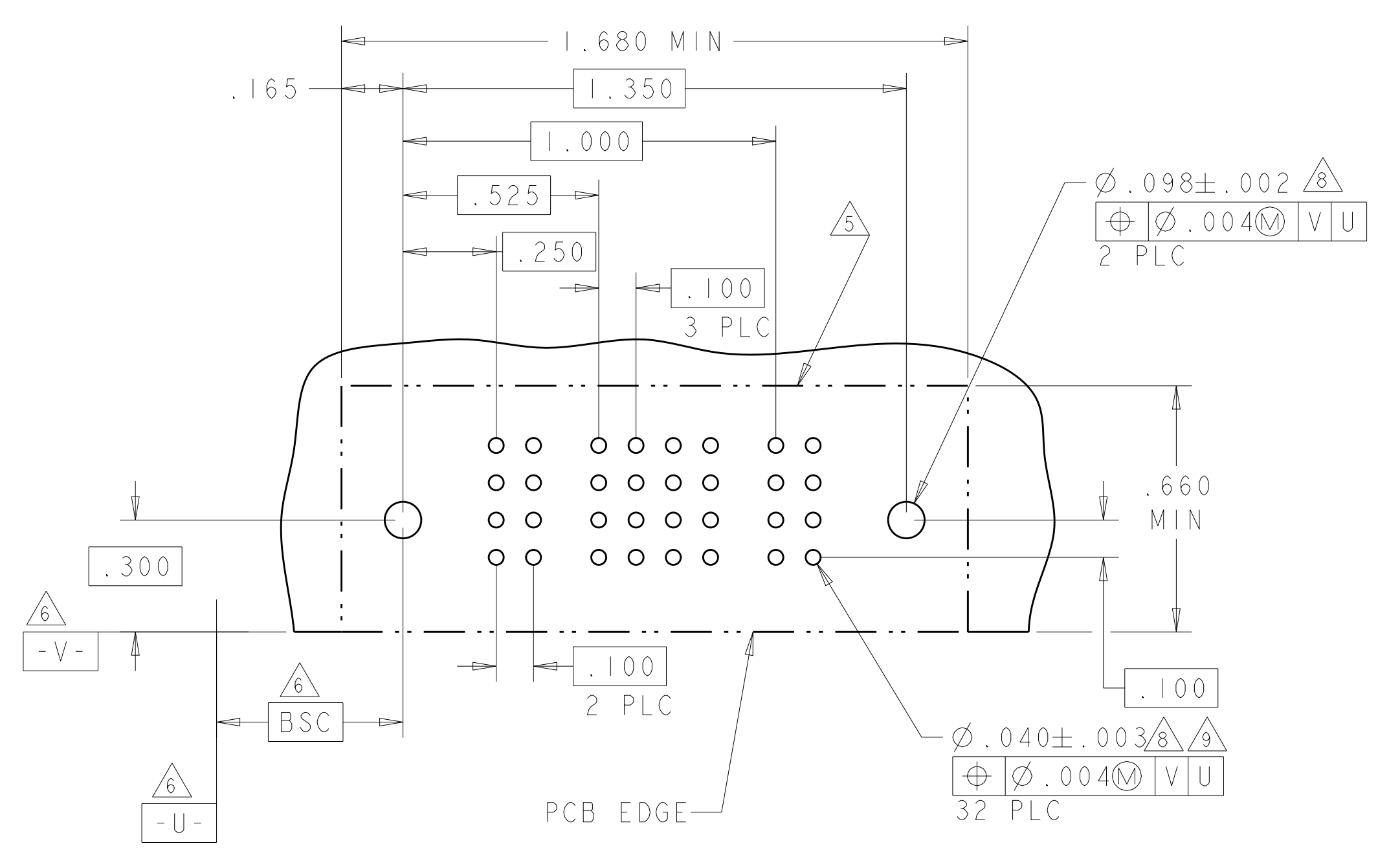
| LOC         | DIST | REV | DATE | BY | APPV |
|-------------|------|-----|------|----|------|
| ES          | 00   |     |      |    |      |
| DESCRIPTION |      |     | DATE | BY | APPV |
| SEE SHEET 1 |      |     |      |    |      |

| PART NUMBER   | ROWS | POWER |    |    | SIGNAL |   |   |   |   | POWER |    |    |    |    |
|---------------|------|-------|----|----|--------|---|---|---|---|-------|----|----|----|----|
|               |      | P1    | P2 | P3 | 1      | 2 | 3 | 4 | 5 | P4    | P5 | P6 | P7 | P8 |
| 8-6450130-4   | D    | PM    | PM | PM | J      | J | J |   | J | PM    | PM | PM | PM |    |
|               | C    |       |    |    | K      | K | K |   | K |       |    |    |    |    |
|               | B    |       |    |    | N      | N | N |   | N |       |    |    |    |    |
| A             | S    | S     | S  |    | S      | H |   |   |   |       |    |    |    |    |
| 3P + 20S + 5P |      |       |    |    |        |   |   |   |   |       |    |    |    |    |

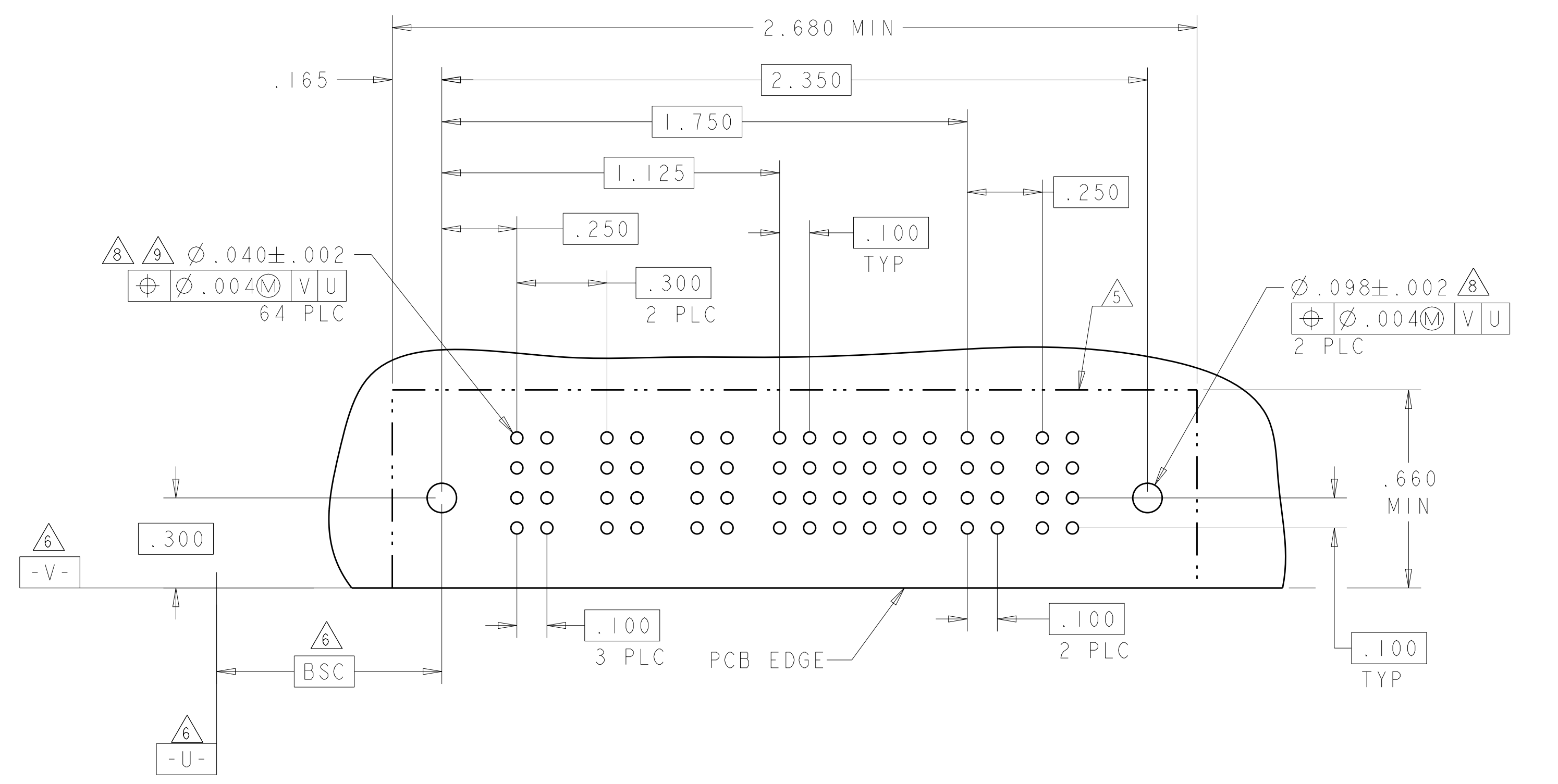
NO CONTACTS LOADED



| PART NUMBER   | ROWS | POWER |    | SIGNAL |   |   |   | POWER |    |
|---------------|------|-------|----|--------|---|---|---|-------|----|
|               |      | P1    | P2 | 1      | 2 | 3 | 4 | P2    | P1 |
| 8-6450130-5   | D    | PM    | PM | J      | E | J | E | PM    | PM |
|               | C    |       |    | K      | K | K | K |       |    |
|               | B    |       |    | N      | N | N | N |       |    |
| A             | S    | S     | S  | S      |   |   |   |       |    |
| IP + 16S + IP |      |       |    |        |   |   |   |       |    |



| PART NUMBER     | ROWS | POWER |    |    | SIGNAL |   |   |   |   |    | POWER |    |
|-----------------|------|-------|----|----|--------|---|---|---|---|----|-------|----|
|                 |      | P1    | P2 | P3 | 1      | 2 | 3 | 4 | 5 | 6  | P4    | P5 |
| 5-6450130-1     | D    | PM    | PM | PM | J      | E | J | J | J | PM | PM    | PM |
|                 | C    |       |    |    | K      | K | K | K | K |    |       |    |
|                 | B    |       |    |    | N      | N | G | N | N |    |       |    |
| A               | S    | S     | S  | S  | S      | S |   |   |   |    |       |    |
| 3ACP + 24S + 2P |      |       |    |    |        |   |   |   |   |    |       |    |



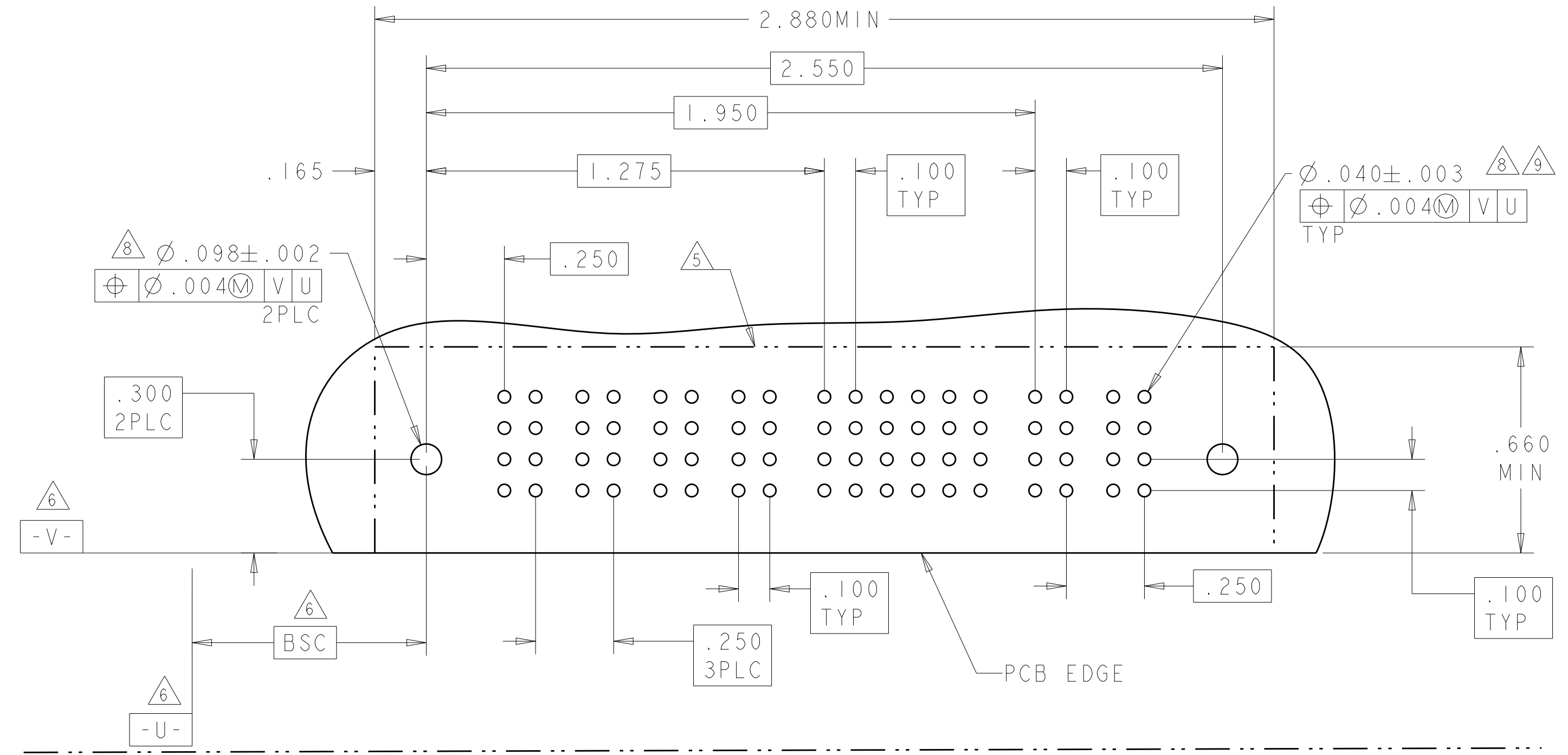
THIS DRAWING IS A CONTROLLED DOCUMENT.

|                  |  |                              |                             |                              |  |
|------------------|--|------------------------------|-----------------------------|------------------------------|--|
| DIMENSIONS:      | TOLERANCES UNLESS OTHERWISE SPECIFIED:                               | OWN: R. GRZYBOWSKI 14FEB2005 | CHK: M. PERCHERKE 14FEB2005 | APVD: M. PERCHERKE 14FEB2005 | NAME: RIGHT ANGLE HEADER ASSEMBLY W/GUIDES MULTI-BEAM XL |
| INCHES           | 0 PLC ±.01<br>1 PLC ±.01<br>2 PLC ±.01<br>3 PLC ±.005<br>4 PLC ±.002 | PRODUCT SPEC: 108-1973       | APPLICATION SPEC: 114-13038 | WEIGHT: -                    | RESTRICTED TO: -   |
| MATERIAL:        | FINISH:  | SIZE: A100779                | CAGE CODE: C=6450130        | SCALE: 4:1                   | SHEET 14 OF 28   |
| Customer Drawing |  | REV: M2                      |                             |                              |  |

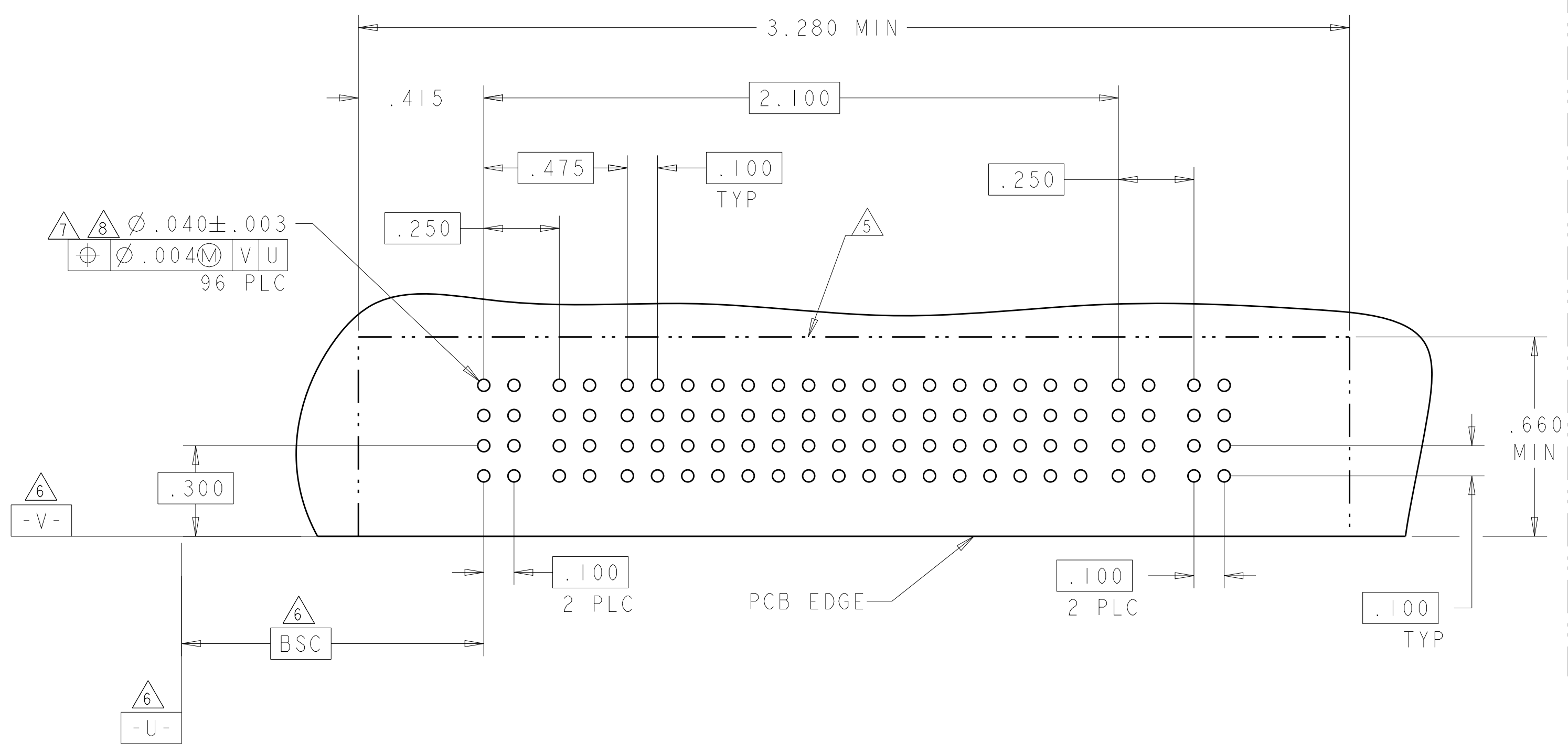
STE TE Connectivity



| PART NUMBER   | ROWS | POWER |    |    |    | SIGNAL |   |   |   |   |   | POWER |    |
|---------------|------|-------|----|----|----|--------|---|---|---|---|---|-------|----|
|               |      | P1    | P2 | P3 | P4 | 1      | 2 | 3 | 4 | 5 | 6 | P5    | P6 |
| 5-6450130-8   | D    | PM    | PM | PM | PM | J      | J | J | E | J | J | PM    | PM |
|               | C    |       |    |    |    | K      | K | K | K | K |   |       |    |
|               | B    |       |    |    |    | N      | N | N | N | N |   |       |    |
|               | A    |       |    |    |    | S      | S | S | S | S |   |       |    |
| 4P + 24S + 2P |      |       |    |    |    |        |   |   |   |   |   |       |    |



| PART NUMBER   | ROWS | POWER |    | SIGNAL |   |   |   |   |   |   |   |   |    |    |    |    |    |    |    | POWER |    |   |    |    |   |   |
|---------------|------|-------|----|--------|---|---|---|---|---|---|---|---|----|----|----|----|----|----|----|-------|----|---|----|----|---|---|
|               |      | P1    | P2 | 1      | 2 | 3 | 4 | 5 | 6 | 7 | 8 | 9 | 10 | 11 | 12 | 13 | 14 | 15 | 16 | P3    | P4 |   |    |    |   |   |
| 8-6450130-7   | D    | PA    | PA | A      | A | A | A | A | A | A | A | A | A  | A  | A  | A  | A  | A  | A  | A     | A  | A | PA | PA |   |   |
|               | C    |       |    | 3      | 3 | 3 | 3 | 3 | 3 | 3 | 3 | 3 | 3  | 3  | 3  | 3  | 3  | 3  | 3  | 3     | 3  | 3 |    |    |   |   |
|               | B    |       |    | 2      | 2 | 2 | 2 | 2 | 2 | 2 | 2 | 2 | 2  | 2  | 2  | 2  | 2  | 2  | 2  | 2     | 2  | 2 |    |    | 2 | 2 |
|               | A    |       |    | A      | A | A | A | A | A | A | A | A | A  | A  | A  | A  | A  | A  | A  | A     | A  | A |    |    | A | O |
| 2P + 64S + 2P |      |       |    |        |   |   |   |   |   |   |   |   |    |    |    |    |    |    |    |       |    |   |    |    |   |   |

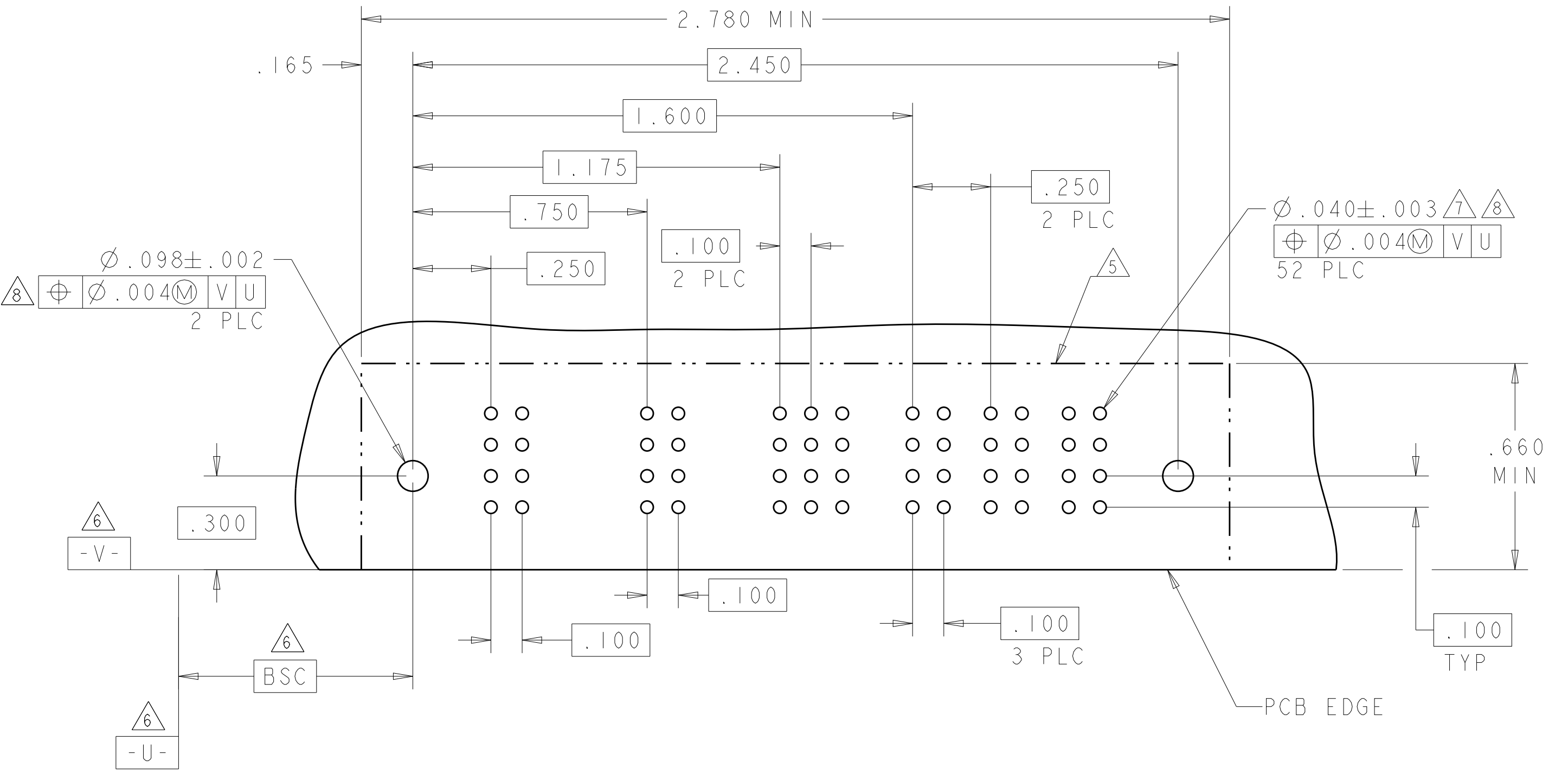


| PART NUMBER   | ROWS | POWER |    |    | SIGNAL |   |   |    |    |    | POWER |    |    |
|---------------|------|-------|----|----|--------|---|---|----|----|----|-------|----|----|
|               |      | P1    | P2 | P3 | 1      | 2 | 3 | 4  | 5  | 6  | P4    | P5 | P6 |
| 8-6450130-6   | D    | PM    | PM | PM | J      | J | J | PM | PM | PM | PM    | PM |    |
|               | C    |       |    |    | K      | K | K |    |    |    |       |    |    |
|               | B    |       |    |    | N      | N | N |    |    |    |       |    |    |
|               | A    |       |    |    | S      | S | S |    |    |    |       |    |    |
| 3P + 24S + 3P |      |       |    |    |        |   |   |    |    |    |       |    |    |

NO CONTACTS LOADED

| PART NUMBER   | ROWS | POWER |    |    | SIGNAL |   |   |    |    |    | POWER |    |    |
|---------------|------|-------|----|----|--------|---|---|----|----|----|-------|----|----|
|               |      | P1    | P2 | P3 | 1      | 2 | 3 | 4  | 5  | 6  | P4    | P5 | P6 |
| 9-6450130-0   | D    | PM    | PM | PM | E      | E | E | PM | PM | PM | PM    | PM |    |
|               | C    |       |    |    | F      | F | F |    |    |    |       |    |    |
|               | B    |       |    |    | G      | G | G |    |    |    |       |    |    |
|               | A    |       |    |    | H      | H | H |    |    |    |       |    |    |
| 3P + 24S + 3P |      |       |    |    |        |   |   |    |    |    |       |    |    |

NO CONTACT LOADED



8-6450130-6 AND 9-6450130-0 HAVE THE SAME PCB LAYOUT

|  |  |                              |                                 |  |
|--|--|------------------------------|---------------------------------|--|
| THIS DRAWING IS A CONTROLLED DOCUMENT. |  | DWN: R. GRZYBOWSKI 14FEB2005 |                                 | TE Connectivity                                    |
| DIMENSIONS: INCHES                     |  | CHK: M. PERCHERKE 14FEB2005  |                                 | RIGHT ANGLE HEADER ASSEMBLY W/GUIDES MULTI-BEAM XL |
| TOLERANCES UNLESS OTHERWISE SPECIFIED: |  | APVD: M. PERCHERKE 14FEB2005 | NAME                            |  |
| 0 PLC ± .01                            |  | PRODUCT SPEC                 | SIZE                            |  |
| 1 PLC ± .01                            |  | 108-1973                     | CAGE CODE                       |  |
| 2 PLC ± .01                            |  | APPLICATION SPEC             | DRAWING NO                      |  |
| 3 PLC ± .005                           |  | 114-13038                    | RESTRICTED TO                   |  |
| 4 PLC ± .002                           |  | WEIGHT                       | A100779                         |  |
| ANGLES ± .0020                         |  | Customer Drawing             | SCALE 4:1 SHEET 15 OF 28 REV M2 |  |

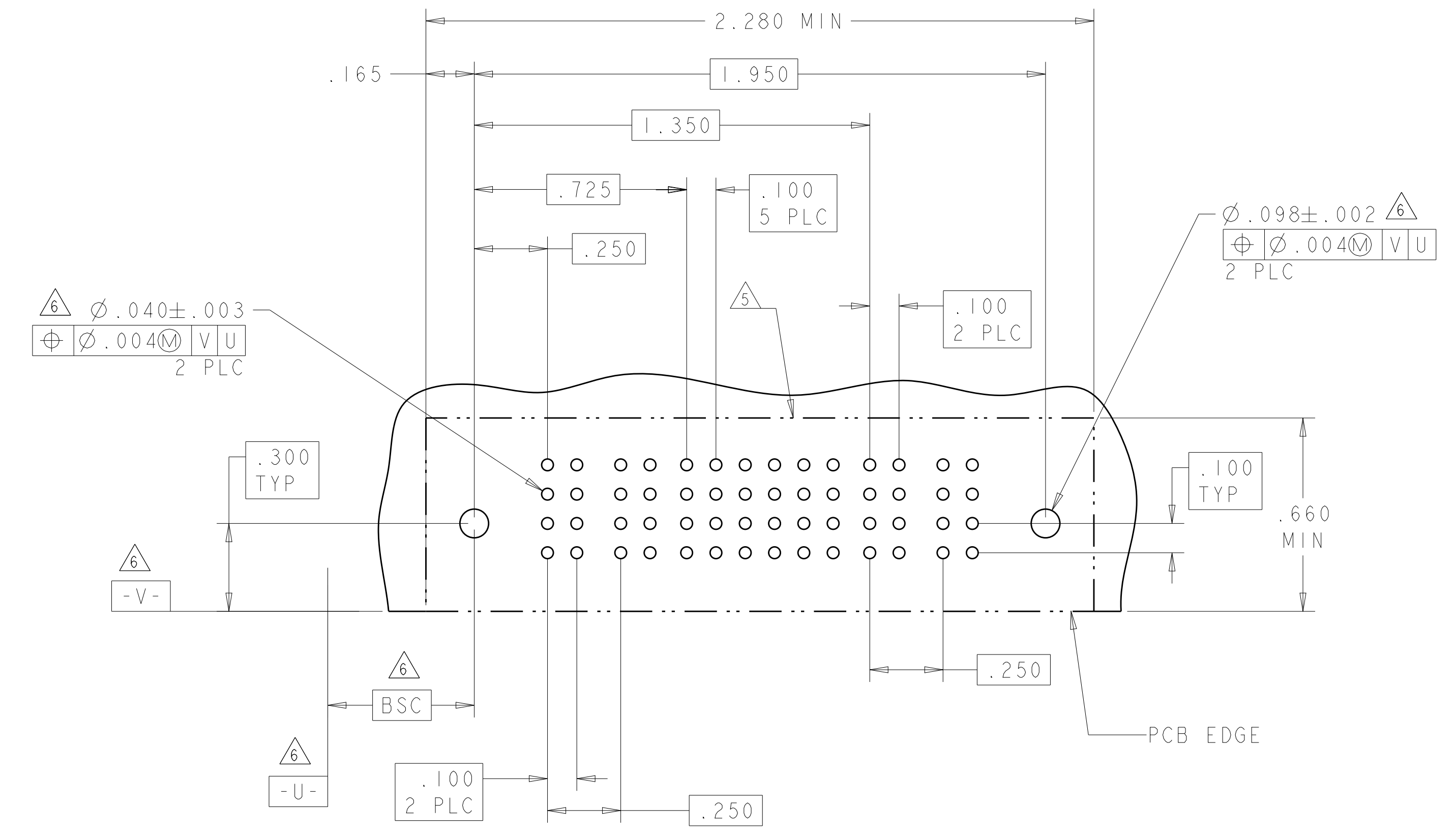
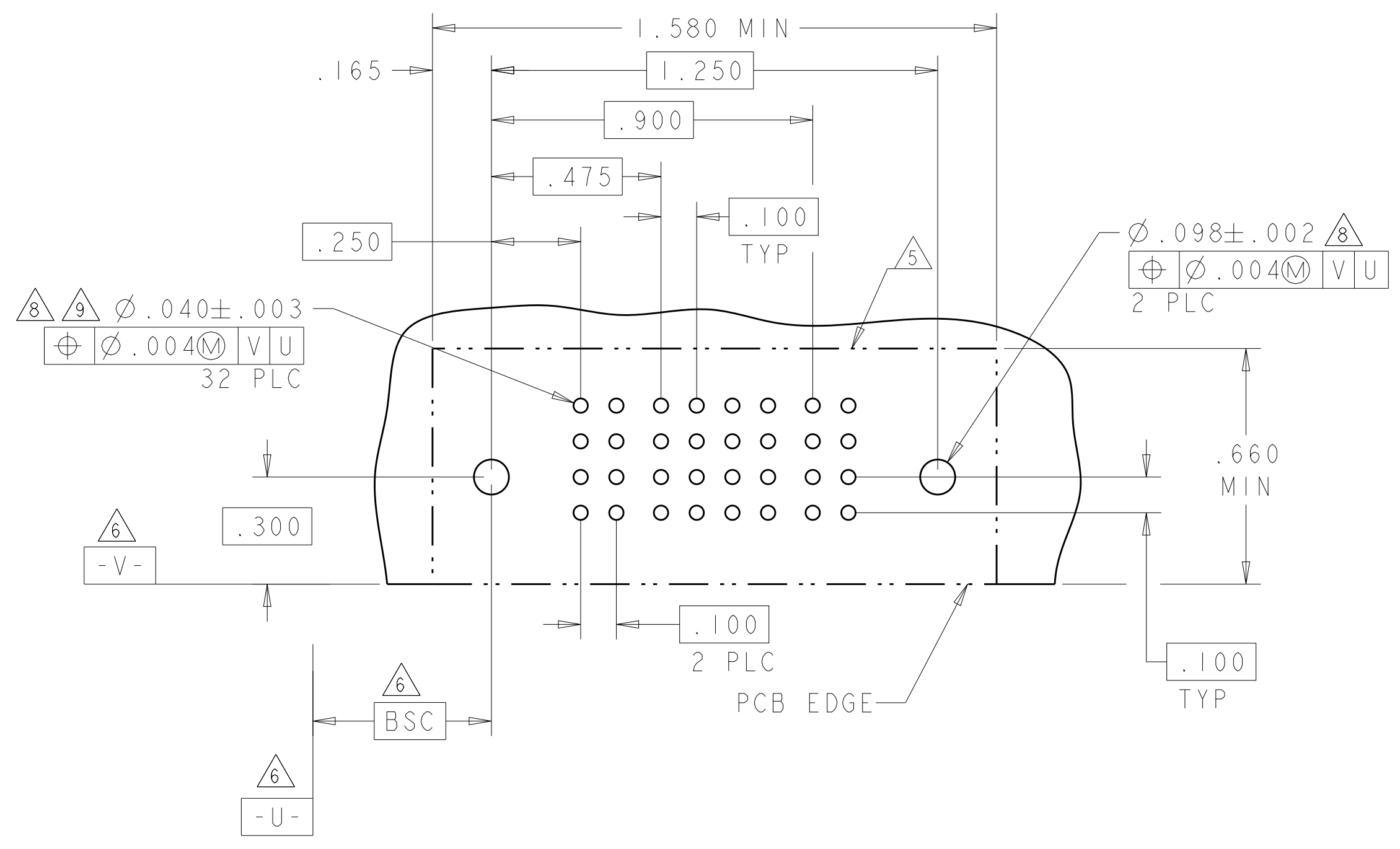
| LOC | DIST | REVISIONS   |      |     |      |
|-----|------|-------------|------|-----|------|
| P   | LTN  | DESCRIPTION | DATE | DMN | APVD |
| -   | -    | SEE SHEET 1 | -    | -   | -    |

| PART NUMBER | ROWS | POWER |    | SIGNAL |   |   |   | POWER |    |
|-------------|------|-------|----|--------|---|---|---|-------|----|
|             |      | P1    | P2 | 1      | 2 | 3 | 4 | P3    | P4 |
| 8-6450130-9 | D    | PM    | PM | J      | J | J | J | PM    | PM |
|             | C    |       |    | K      | K | F | K |       |    |
|             | B    |       |    | N      | N | G | N |       |    |
|             | A    |       |    | S      | S | S | S |       |    |

IP + 16S + IP

| PART NUMBER | ROWS | POWER |    | SIGNAL |   |   |   |   |   | POWER |    |
|-------------|------|-------|----|--------|---|---|---|---|---|-------|----|
|             |      | P1    | P2 | 1      | 2 | 3 | 4 | 5 | 6 | P3    | P4 |
| 2-6450130-9 | D    | PM    | PM | J      | J | J | J | J | J | PM    | PM |
|             | C    |       |    | K      | K | K | K | F |   |       |    |
|             | B    |       |    | N      | N | N | N | N |   |       |    |
|             | A    |       |    | S      | S | S | S | S |   |       |    |

2P + 24S + 2P

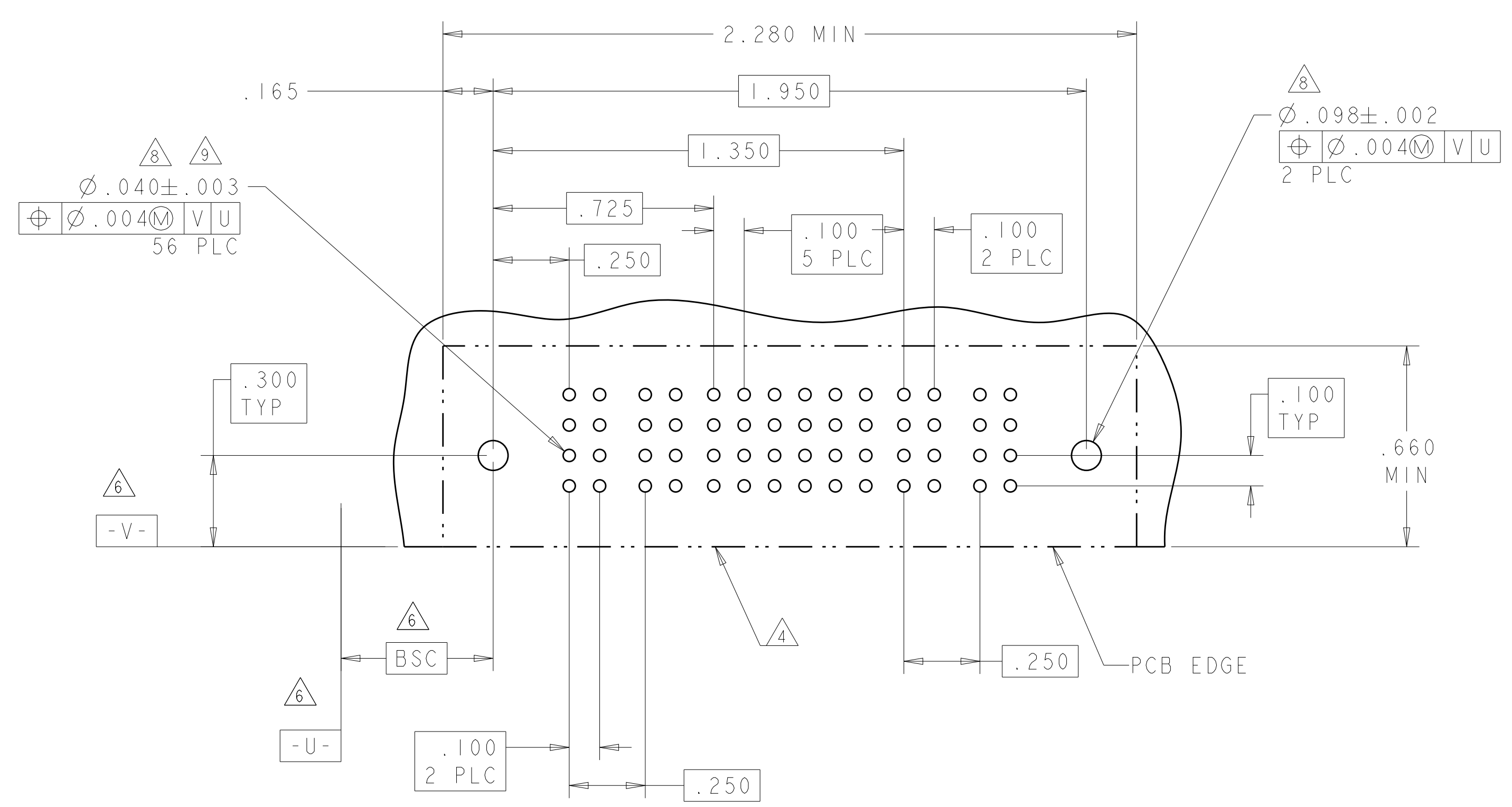
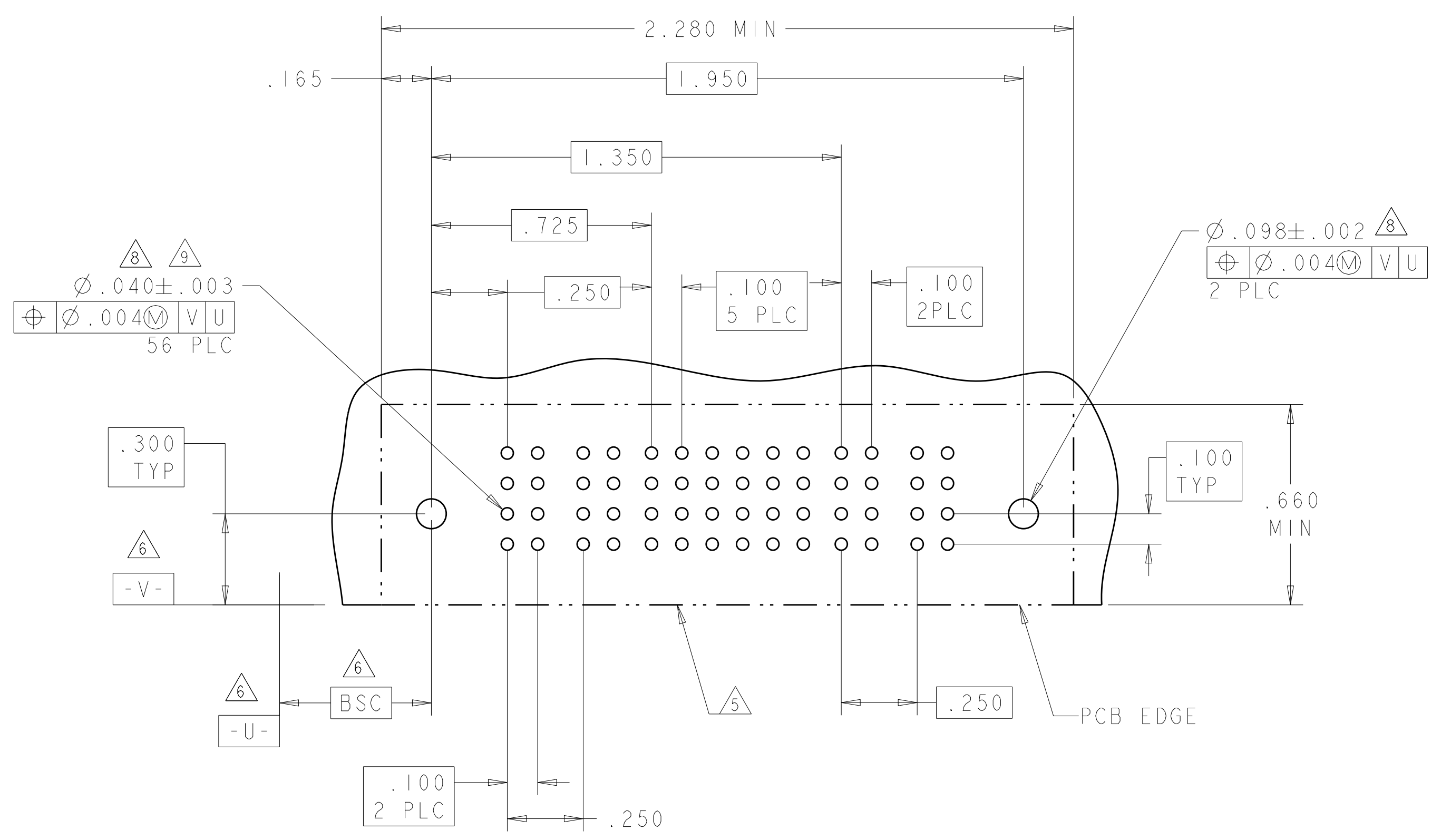


|  |               |                             |  |
|--|---------------|-----------------------------|--|
| THIS DRAWING IS A CONTROLLED DOCUMENT. |               | DMN: R.GRZYBOWSKI 14FEB2005 | <br>TE Connectivity                                      |
| DIMENSIONS: INCHES                     |               | CHK: M.PERCHEKKE 14FEB2005  |  |
| TOLERANCES UNLESS OTHERWISE SPECIFIED: |               | APVD: M.PERCHEKKE 14FEB2005 | NAME: RIGHT ANGLE HEADER ASSEMBLY W/GUIDES MULTI-BEAM XL |
| 0 PLC ±.01                             | 1 PLC ±.01    | PRODUCT SPEC: 108-1973      | SIZE: CAGE CODE DRAWING NO: A100779C=6450130             |
| 2 PLC ±.01                             | 3 PLC ±.005   | APPLICATION SPEC: 114-13038 | RESTRICTED TO: -   |
| 4 PLC ±.0020                           | ANGLES ±.0020 | WEIGHT: -                   | SCALE: 4:1 SHEET 16 OF 28 REV: M2                        |
| MATERIAL: -                            | FINISH: -     | Customer Drawing            |  |

| LOC | DIST | REVISIONS |             |    |      |
|-----|------|-----------|-------------|----|------|
| ES  | 00   | REV       | DATE        | BY | APPV |
|     |      | 1         | SEE SHEET 1 |    |      |

| PART NUMBER   | ROWS | POWER |    | SIGNAL |   |   |   |   |   | POWER |    |  |    |
|---------------|------|-------|----|--------|---|---|---|---|---|-------|----|--|----|
|               |      | P1    | P2 | 1      | 2 | 3 | 4 | 5 | 6 | P3    | P4 |  |    |
| 4-6450130-2   | D    | PM    | PM | J      | J | J | J | J | E | PM    | PM |  |    |
|               | C    |       |    | K      | K | K | K | K |   |       |    |  |    |
|               | B    |       |    | N      | N | N | N | N |   |       |    |  |    |
|               | A    |       |    | S      | S | S | S | S |   |       |    |  |    |
|               |      | HD    |    |        |   |   |   |   |   |       |    |  | HD |
| 2P + 24S + 2P |      |       |    |        |   |   |   |   |   |       |    |  |    |

| PART NUMBER   | ROWS | POWER |    | SIGNAL |   |   |   |   |   | POWER |    |  |    |
|---------------|------|-------|----|--------|---|---|---|---|---|-------|----|--|----|
|               |      | P1    | P2 | 1      | 2 | 3 | 4 | 5 | 6 | P3    | P4 |  |    |
| 6-6450130-7   | D    | PM    | PM | J      | J | J | J | J | J | PM    | PM |  |    |
|               | C    |       |    | K      | K | K | K | K |   |       |    |  |    |
|               | B    |       |    | N      | N | N | G | N |   |       |    |  |    |
|               | A    |       |    | S      | S | S | S | S |   |       |    |  |    |
|               |      | HD    |    |        |   |   |   |   |   |       |    |  | HD |
| 2P + 24S + 2P |      |       |    |        |   |   |   |   |   |       |    |  |    |



| PART NUMBER   | ROWS | POWER |    | SIGNAL |   |   |   |   |   | POWER |    |  |    |
|---------------|------|-------|----|--------|---|---|---|---|---|-------|----|--|----|
|               |      | P1    | P2 | 1      | 2 | 3 | 4 | 5 | 6 | P3    | P4 |  |    |
| 8-6450130-8   | D    | PM    | PM | E      | E | E | E | E | E | PM    | PM |  |    |
|               | C    |       |    | F      | F | F | F | F |   |       |    |  |    |
|               | B    |       |    | G      | G | G | G | G |   |       |    |  |    |
|               | A    |       |    | H      | H | H | H | S |   |       |    |  |    |
|               |      | HD    |    |        |   |   |   |   |   |       |    |  | HD |
| 2P + 24S + 2P |      |       |    |        |   |   |   |   |   |       |    |  |    |

LAYOUT OF PART 8-6450130-8 IS SAME AS 6-6450130-7.

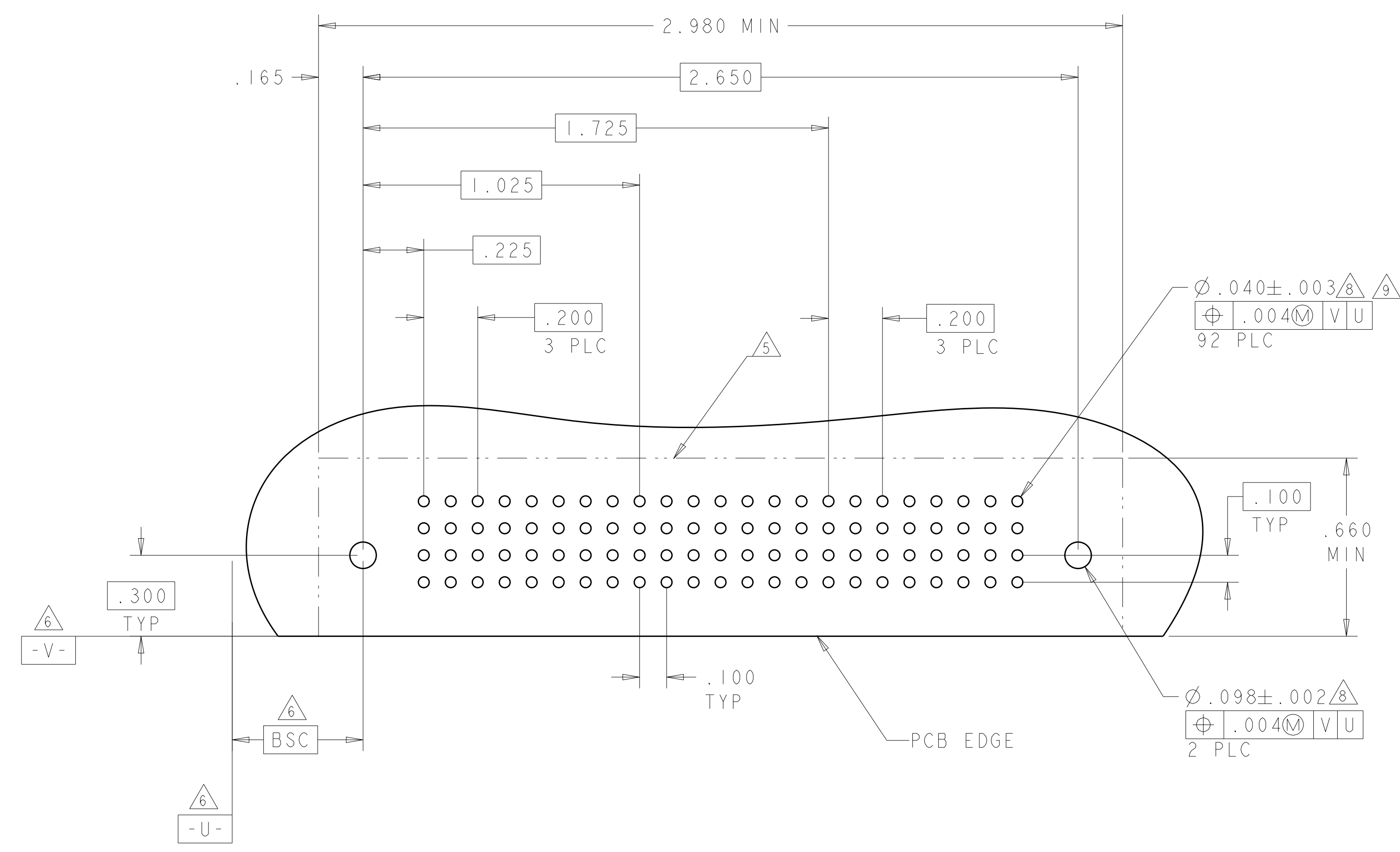
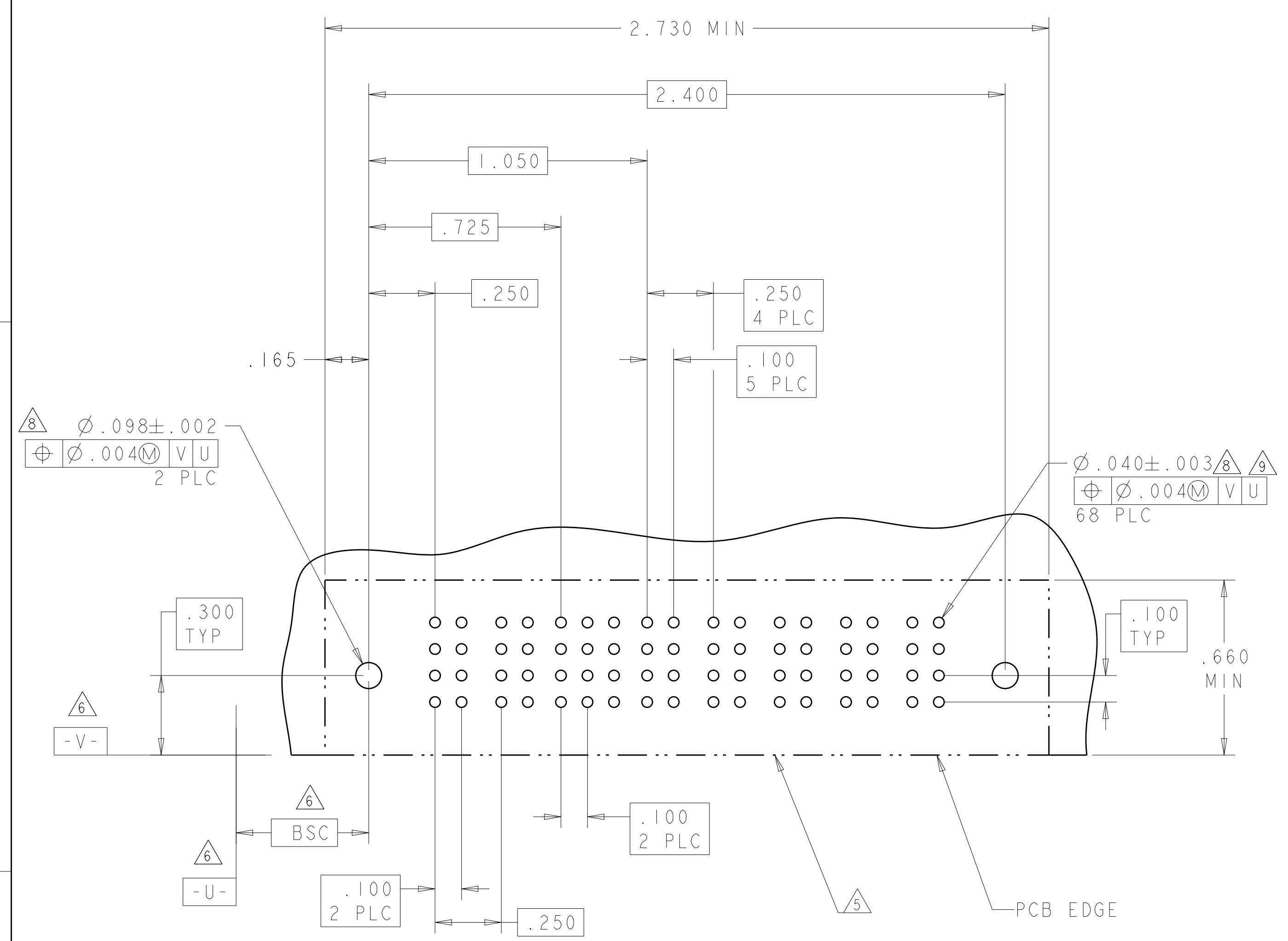
|  |  |                              |  |
|--|--|------------------------------|--|
| THIS DRAWING IS A CONTROLLED DOCUMENT.   |  | OWN: R. GRZYBOWSKI 14FEB2005 | <br>TE Connectivity                                      |
| DIMENSIONS: INCHES   |  | CHK: M. PERCHERKE 14FEB2005  |  |
| <br>0 PLC ±.01<br>1 PLC ±.01<br>2 PLC ±.01<br>3 PLC ±.005<br>4 PLC ±.002<br>ANGLES ±.020 |  | APVD: M. PERCHERKE 14FEB2005 | NAME: RIGHT ANGLE HEADER ASSEMBLY W/GUIDES MULTI-BEAM XL |
| MATERIAL: -  |  | PRODUCT SPEC: 108-1973       | SIZE: CAGE CODE DRAWING NO: A100779                      |
| FINISH: -  |  | APPLICATION SPEC: 114-13038  | RESTRICTED TO: -   |
|  |  | WEIGHT: -                    | SCALE: 4:1 SHEET 17 OF 28 REV: M2                        |
|  |  | Customer Drawing             |  |

| LOC | DIST | REVISIONS   |      |     |      |
|-----|------|-------------|------|-----|------|
| P   | LTN  | DESCRIPTION | DATE | DMN | APVD |
| ES  | 00   | SEE SHEET 1 |      |     |      |

| PART NUMBER   | ROWS | POWER |    | SIGNAL |   |   | POWER |    |    |    |    |    |
|---------------|------|-------|----|--------|---|---|-------|----|----|----|----|----|
|               |      | P1    | P2 | 1      | 2 | 3 | P3    | P4 | P5 | P6 | P7 |    |
| 9-6450130-2   | D    | PM    | PM | J      | J | J | PM    | PM | PM | PM | PM | HD |
|               | C    |       |    | K      | K | K |       |    |    |    |    |    |
|               | B    |       |    | N      | N | N |       |    |    |    |    |    |
|               | A    |       |    | S      | S | S |       |    |    |    |    |    |
| 2P + 12S + 5P |      |       |    |        |   |   |       |    |    |    |    |    |

(K2)

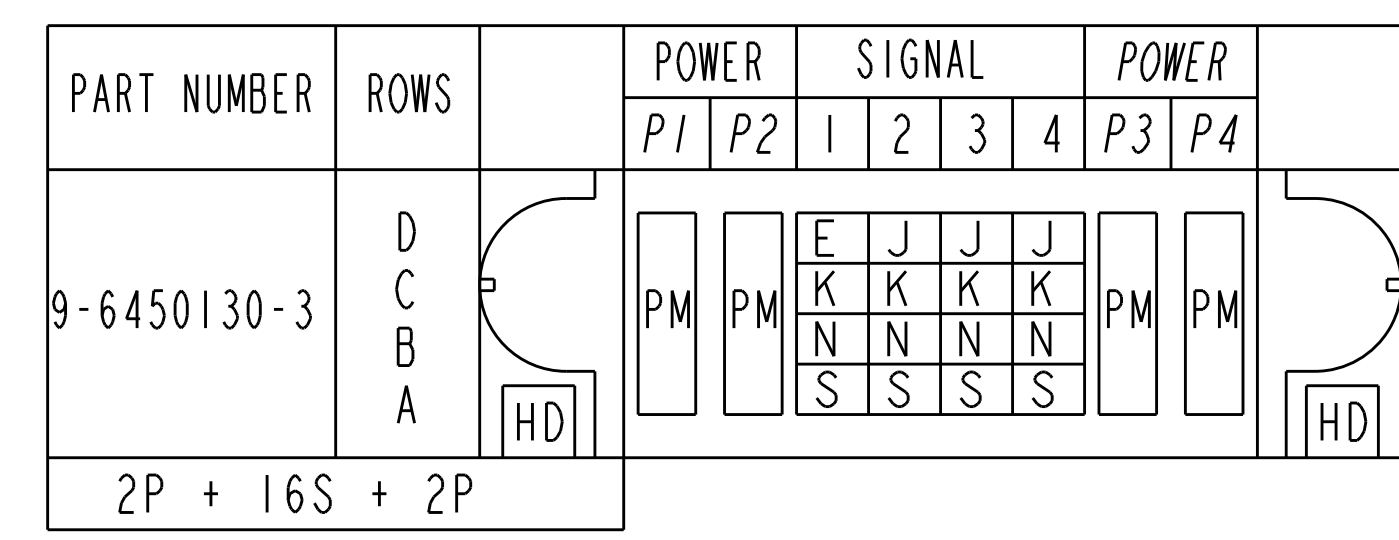
| PART NUMBER       | ROWS | POWER |    |    |    | SIGNAL |    |    |    |    |    |    | POWER |    |    |    |    |
|-------------------|------|-------|----|----|----|--------|----|----|----|----|----|----|-------|----|----|----|----|
|                   |      | P1    | P2 | P3 | P4 | 1      | 2  | 3  | 4  | 5  | 6  | 7  | P5    | P6 | P7 | P8 |    |
| 2-6450130-4       | D    | PA    | PA | PA | PA | A4     | A4 | A4 | A4 | A4 | A4 | A4 | PA    | PA | PA | PA | HD |
|                   | C    |       |    |    |    | A3     | A3 | A3 | A3 | A3 | A3 |    |       |    |    |    |    |
|                   | B    |       |    |    |    | A2     | A2 | A2 | A2 | A2 | A2 |    |       |    |    |    |    |
|                   | A    |       |    |    |    | A1     | A1 | A1 | A1 | A1 | A1 |    |       |    |    |    |    |
| 4HDP + 28S + 4HDP |      |       |    |    |    |        |    |    |    |    |    |    |       |    |    |    |    |



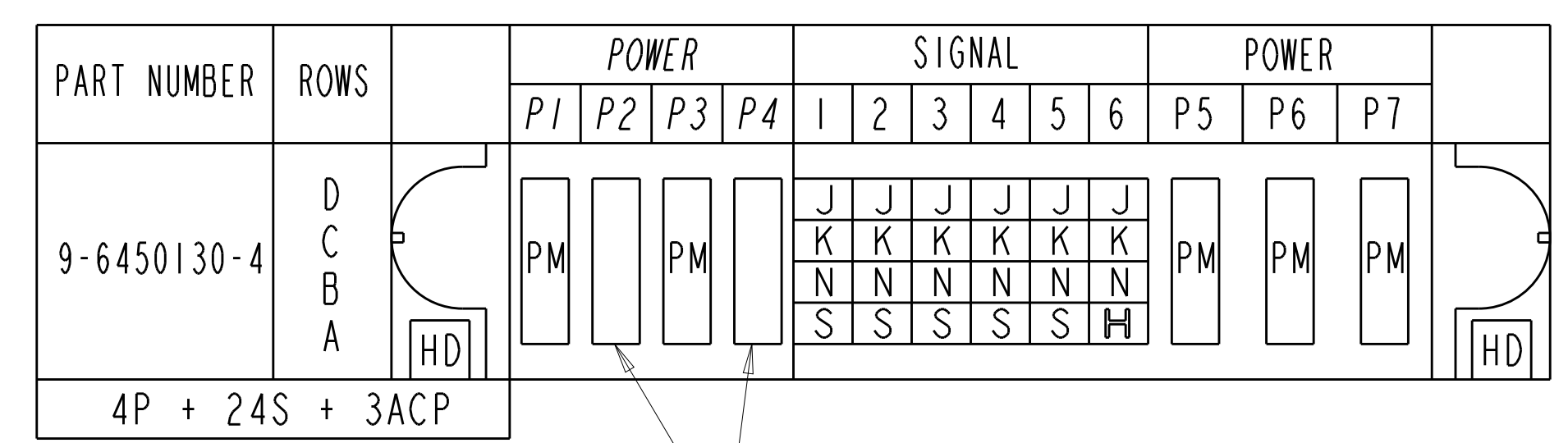
|  |        |                              |  |       |      |       |       |       |        |       |        |        |        |                        |         |
|--|--------|------------------------------|--|-------|------|-------|-------|-------|--------|-------|--------|--------|--------|------------------------|---------|
| THIS DRAWING IS A CONTROLLED DOCUMENT.   |        | DMN: R. GRZYBOWSKI 14FEB2005 | <br>TE Connectivity                                      |       |      |       |       |       |        |       |        |        |        |                        |         |
| DIMENSIONS: INCHES   |        | CHK: M. PERCHERKE 14FEB2005  |  |       |      |       |       |       |        |       |        |        |        |                        |         |
| TOLERANCES UNLESS OTHERWISE SPECIFIED:   |        | APVD: M. PERCHERKE 14FEB2005 | NAME: RIGHT ANGLE HEADER ASSEMBLY W/GUIDES MULTI-BEAM XL |       |      |       |       |       |        |       |        |        |        |                        |         |
| <table border="1"> <tr> <td>0 PLC</td> <td>±</td> </tr> <tr> <td>1 PLC</td> <td>±.01</td> </tr> <tr> <td>2 PLC</td> <td>±.005</td> </tr> <tr> <td>3 PLC</td> <td>±.0020</td> </tr> <tr> <td>4 PLC</td> <td>±.0020</td> </tr> <tr> <td>ANGLES</td> <td>±.0020</td> </tr> </table> |        | 0 PLC                        | ±  | 1 PLC | ±.01 | 2 PLC | ±.005 | 3 PLC | ±.0020 | 4 PLC | ±.0020 | ANGLES | ±.0020 | PRODUCT SPEC: 108-1973 | SIZE: A |
| 0 PLC  | ±      |                              |  |       |      |       |       |       |        |       |        |        |        |                        |         |
| 1 PLC  | ±.01   |                              |  |       |      |       |       |       |        |       |        |        |        |                        |         |
| 2 PLC  | ±.005  |                              |  |       |      |       |       |       |        |       |        |        |        |                        |         |
| 3 PLC  | ±.0020 |                              |  |       |      |       |       |       |        |       |        |        |        |                        |         |
| 4 PLC  | ±.0020 |                              |  |       |      |       |       |       |        |       |        |        |        |                        |         |
| ANGLES   | ±.0020 |                              |  |       |      |       |       |       |        |       |        |        |        |                        |         |
| MATERIAL: -  |        | APPLICATION SPEC: 114-13038  | CAGE CODE: C=6450130                                     |       |      |       |       |       |        |       |        |        |        |                        |         |
| FINISH: -  |        | WEIGHT: -                    | RESTRICTED TO: -   |       |      |       |       |       |        |       |        |        |        |                        |         |
| Customer Drawing   |        | SCALE: 4:1                   | SHEET 18 OF 28 REV: M2                                   |       |      |       |       |       |        |       |        |        |        |                        |         |

| LOC |  | DIST |  | REVISIONS |             |    |      |
|-----|--|------|--|-----------|-------------|----|------|
|     |  |      |  | REV       | DATE        | BY | APPD |
| ES  |  | 00   |  | -         | SEE SHEET 1 | -  | -    |

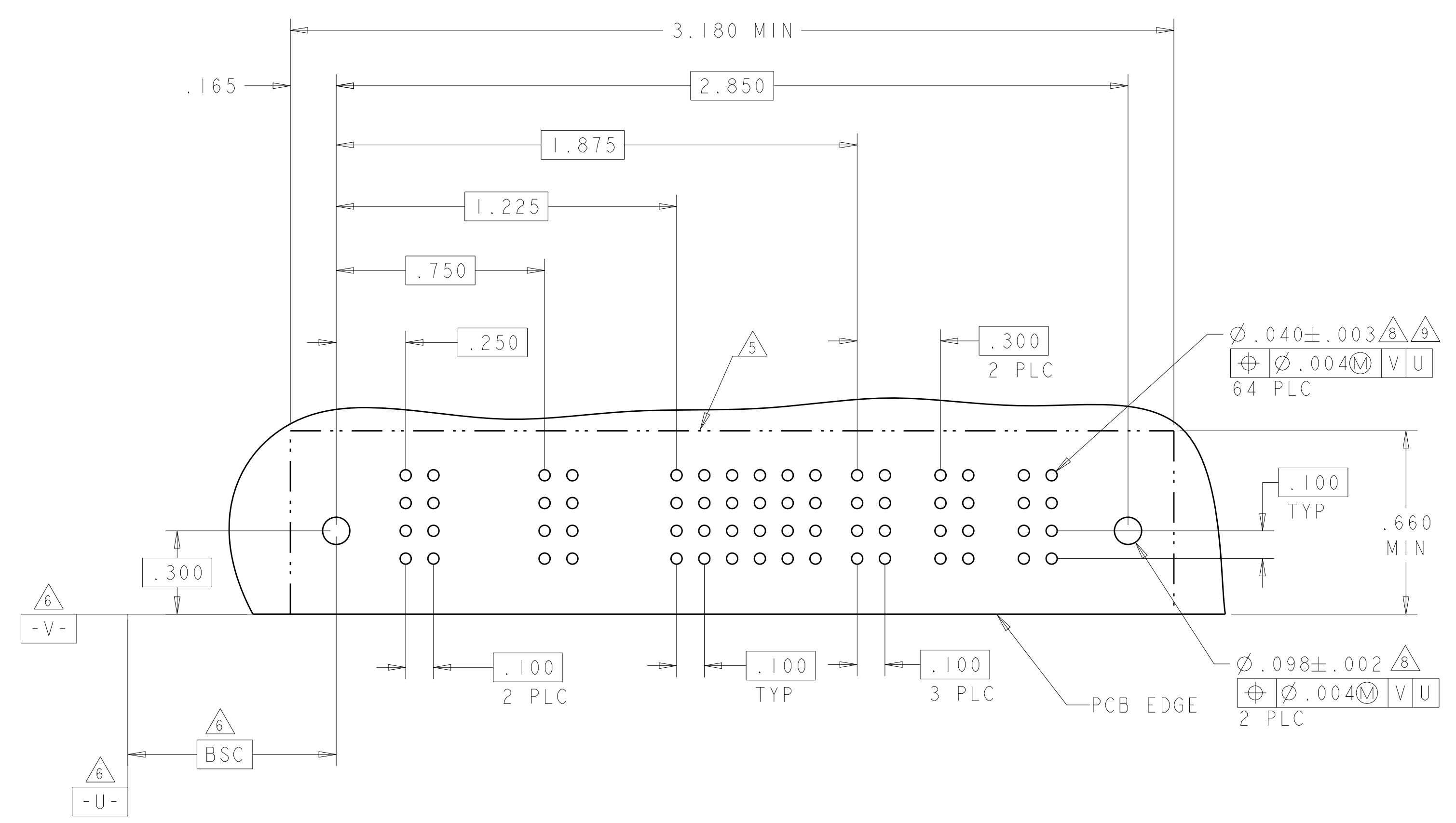
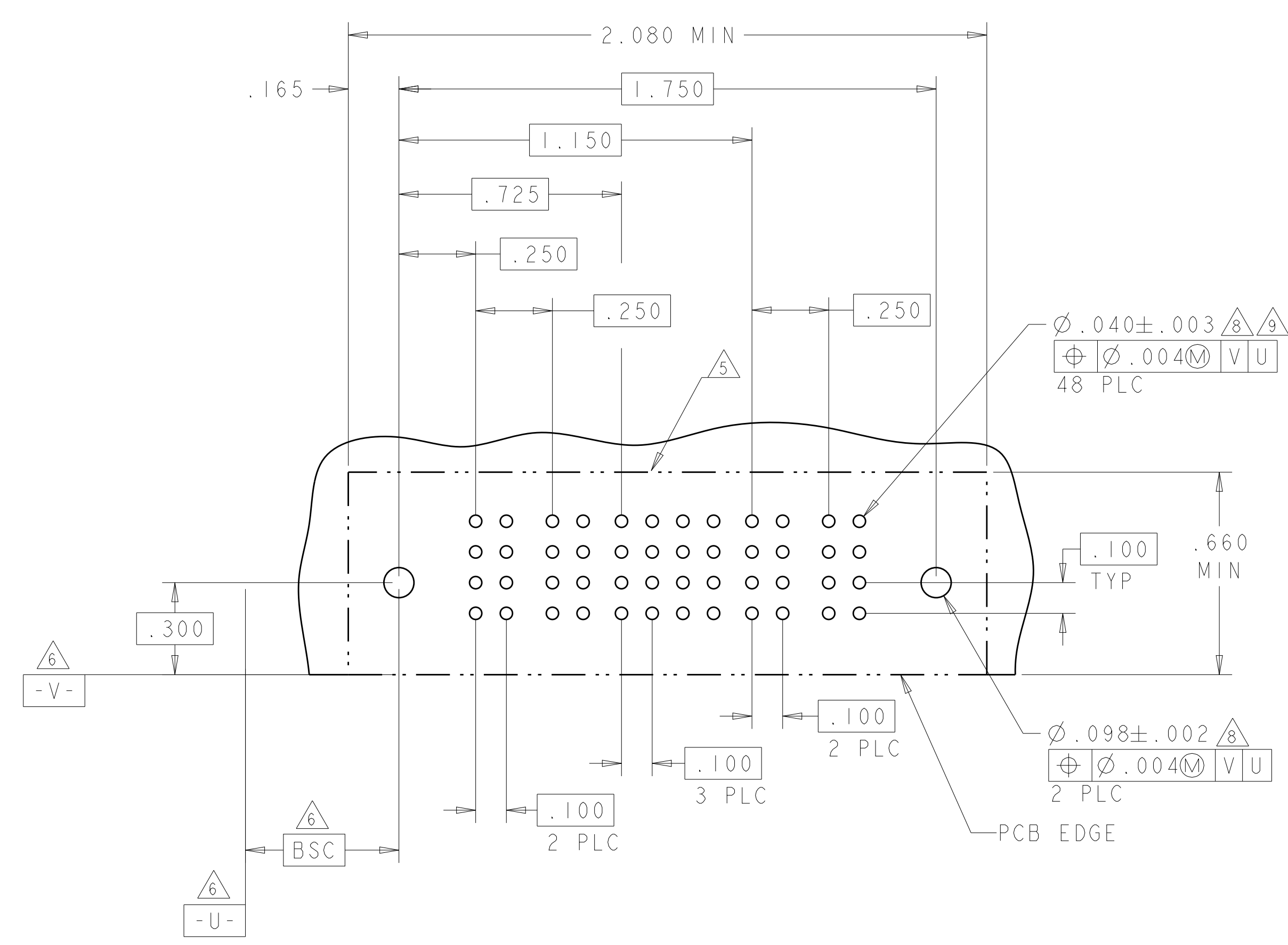
K5



K6



NO CONTACT LOADED



|   |  |                              |  |                |
|---|--|------------------------------|--|----------------|
| THIS DRAWING IS A CONTROLLED DOCUMENT.  |  | OWN: R. GRZYBOWSKI 14FEB2005 | TE Connectivity  |                |
| DIMENSIONS: INCHES  |  | CHK: M. PERCHERKE 14FEB2005  |  |                |
| TOLERANCES UNLESS OTHERWISE SPECIFIED:<br>0 PLC ±.01<br>1 PLC ±.01<br>2 PLC ±.01<br>3 PLC ±.005<br>4 PLC ±.0020<br>ANGLES ±.020 |  | APVD: M. PERCHERKE 14FEB2005 | NAME: RIGHT ANGLE HEADER ASSEMBLY W/GUIDES MULTI-BEAM XL |                |
| MATERIAL: -   |  | PRODUCT SPEC: 108-1973       | SIZE: CAGE CODE DRAWING NO: A100779C=6450130             |                |
| FINISH: -   |  | APPLICATION SPEC: 114-13038  | RESTRICTED TO: -   |                |
| WEIGHT: -   |  | Customer Drawing             | SCALE: 4:1   | SHEET 19 OF 28 |

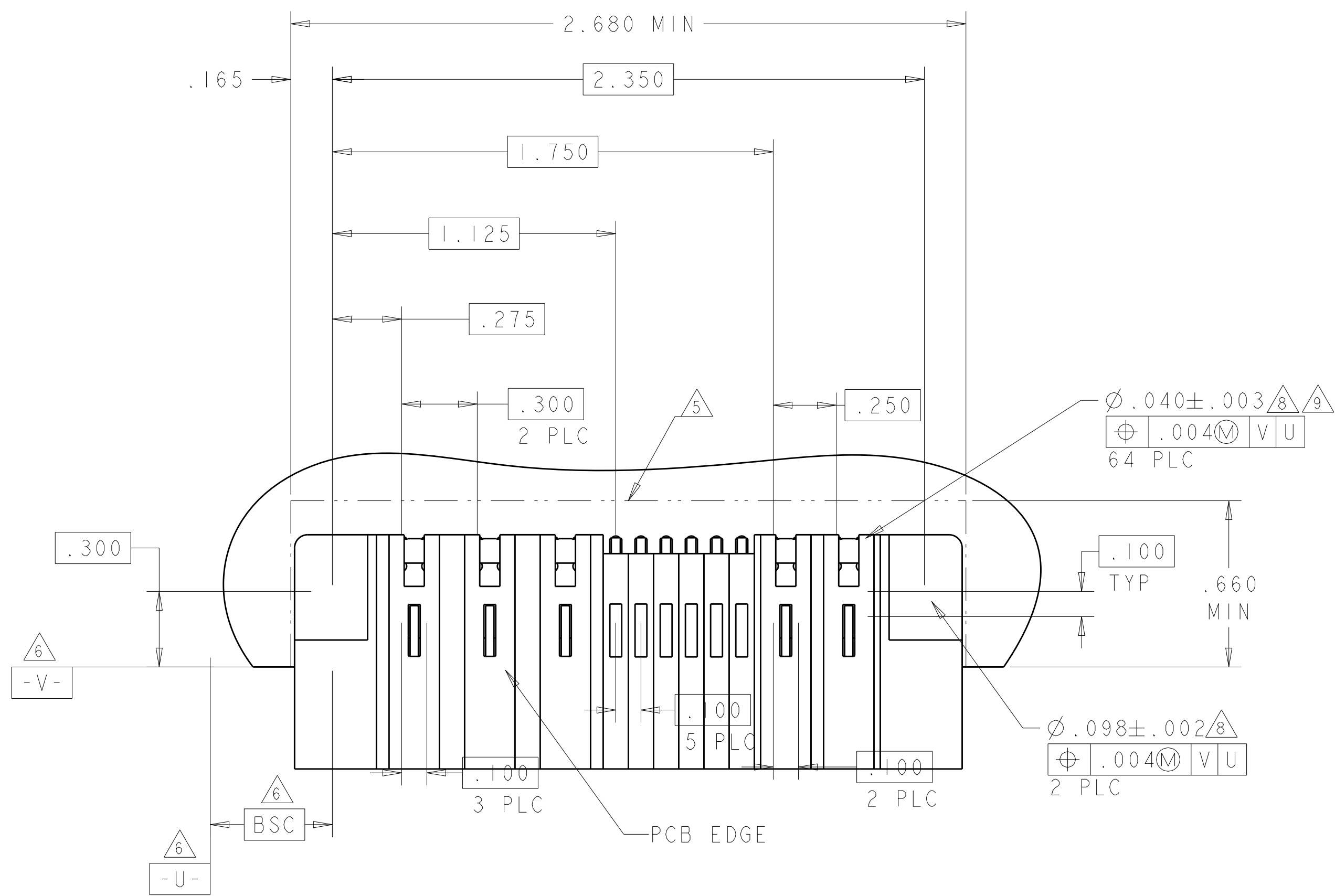
THIS DRAWING IS UNPUBLISHED. RELEASED FOR PUBLICATION  
 © COPYRIGHT 20 . . . ALL RIGHTS RESERVED.

| LOC |     | DIST        |  | REVISIONS |     |      |  |
|-----|-----|-------------|--|-----------|-----|------|--|
| P   | LTN | DESCRIPTION |  | DATE      | DMN | APVD |  |
| -   | -   | SEE SHEET 1 |  | -         | -   | -    |  |
|     |     |             |  |           |     |      |  |

| PART NUMBER | ROWS | POWER |    |    | SIGNAL |   |   |   |   |   | POWER |    |
|-------------|------|-------|----|----|--------|---|---|---|---|---|-------|----|
|             |      | P1    | P2 | P3 | 1      | 2 | 3 | 4 | 5 | 6 | P4    | P5 |
| 2-6450130-6 | D    |       |    |    | J      | J | J | J | J | J |       |    |
|             | C    |       |    |    | K      | K | K | K | K | K |       |    |
|             | B    |       |    |    | N      | N | N | N | N | N | PM    | PM |
|             | A    | HD    |    |    |        | S | S | S | S | S |       | HD |

3ACP + 24S + 2P

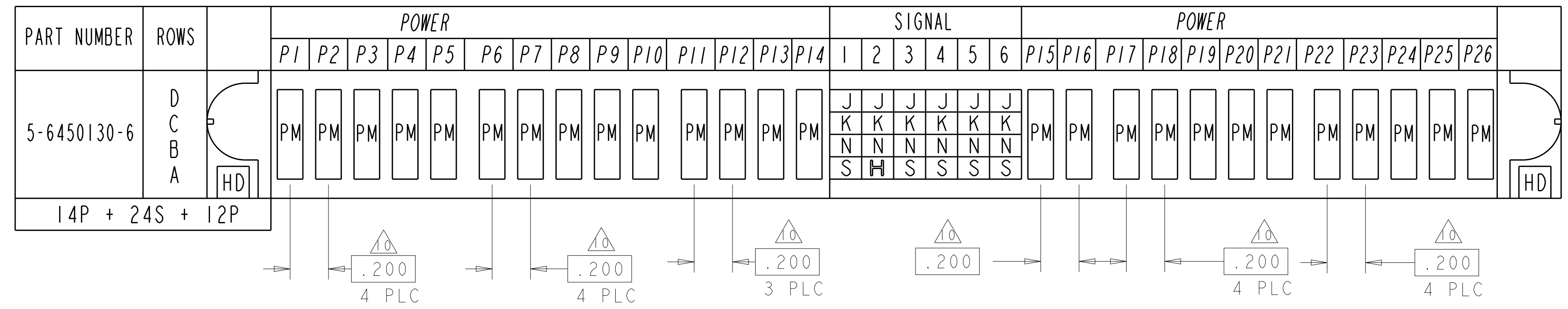
(L1)



|   |        |                                   |  |   |       |      |       |      |       |       |       |        |        |     |
|---|--------|-----------------------------------|--|---|-------|------|-------|------|-------|-------|-------|--------|--------|-----|
| THIS DRAWING IS A CONTROLLED DOCUMENT.  |        | DMN<br>R. GRZYBOWSKI<br>14FEB2005 | <br>TE Connectivity<br><b>RIGHT ANGLE HEADER ASSEMBLY W/GUIDES<br/>MULTI-BEAM XL</b> |   |       |      |       |      |       |       |       |        |        |     |
| DIMENSIONS:<br>INCHES   |        | CHK<br>M. PERCHERKE<br>14FEB2005  |  |   |       |      |       |      |       |       |       |        |        |     |
| TOLERANCES UNLESS<br>OTHERWISE SPECIFIED:   |        | APVD<br>M. PERCHERKE<br>14FEB2005 |  |   |       |      |       |      |       |       |       |        |        |     |
| <table border="1"> <tr><td>0 PLC</td><td>±</td></tr> <tr><td>1 PLC</td><td>±.01</td></tr> <tr><td>2 PLC</td><td>±.01</td></tr> <tr><td>3 PLC</td><td>±.005</td></tr> <tr><td>4 PLC</td><td>±.0020</td></tr> <tr><td>ANGLES</td><td>±2°</td></tr> </table> |        | 0 PLC                             |  | ± | 1 PLC | ±.01 | 2 PLC | ±.01 | 3 PLC | ±.005 | 4 PLC | ±.0020 | ANGLES | ±2° |
| 0 PLC   | ±      |                                   |  |   |       |      |       |      |       |       |       |        |        |     |
| 1 PLC   | ±.01   |                                   |  |   |       |      |       |      |       |       |       |        |        |     |
| 2 PLC   | ±.01   |                                   |  |   |       |      |       |      |       |       |       |        |        |     |
| 3 PLC   | ±.005  |                                   |  |   |       |      |       |      |       |       |       |        |        |     |
| 4 PLC   | ±.0020 |                                   |  |   |       |      |       |      |       |       |       |        |        |     |
| ANGLES  | ±2°    |                                   |  |   |       |      |       |      |       |       |       |        |        |     |
| MATERIAL  |        | PRODUCT SPEC<br>108-1973          | NAME   |   |       |      |       |      |       |       |       |        |        |     |
|   |        | APPLICATION SPEC<br>114-13038     | SIZE   |   |       |      |       |      |       |       |       |        |        |     |
|   |        | WEIGHT                            | CAGE CODE  |   |       |      |       |      |       |       |       |        |        |     |
|   |        | Customer Drawing                  | DRAWING NO<br>6450130  |   |       |      |       |      |       |       |       |        |        |     |
| SCALE 4:1   |        | SHEET 20                          | OF 28  |   |       |      |       |      |       |       |       |        |        |     |
|   |        | REV 2                             |  |   |       |      |       |      |       |       |       |        |        |     |



| LOC | DIST | REVISIONS |     |             |      |     |      |
|-----|------|-----------|-----|-------------|------|-----|------|
|     |      | P         | LTN | DESCRIPTION | DATE | OWN | APVD |
| ES  | 00   | -         | -   | SEE SHEET 1 | -    | -   | -    |
|     |      |           |     |             |      |     |      |
|     |      |           |     |             |      |     |      |



L2

L6

$\varnothing .098 \pm .002$   
 $\varnothing .004$  V U  
 2 PLC

$\varnothing .040 \pm .003$   
 $\varnothing .004$  V U  
 TYP

THIS DRAWING IS A CONTROLLED DOCUMENT.

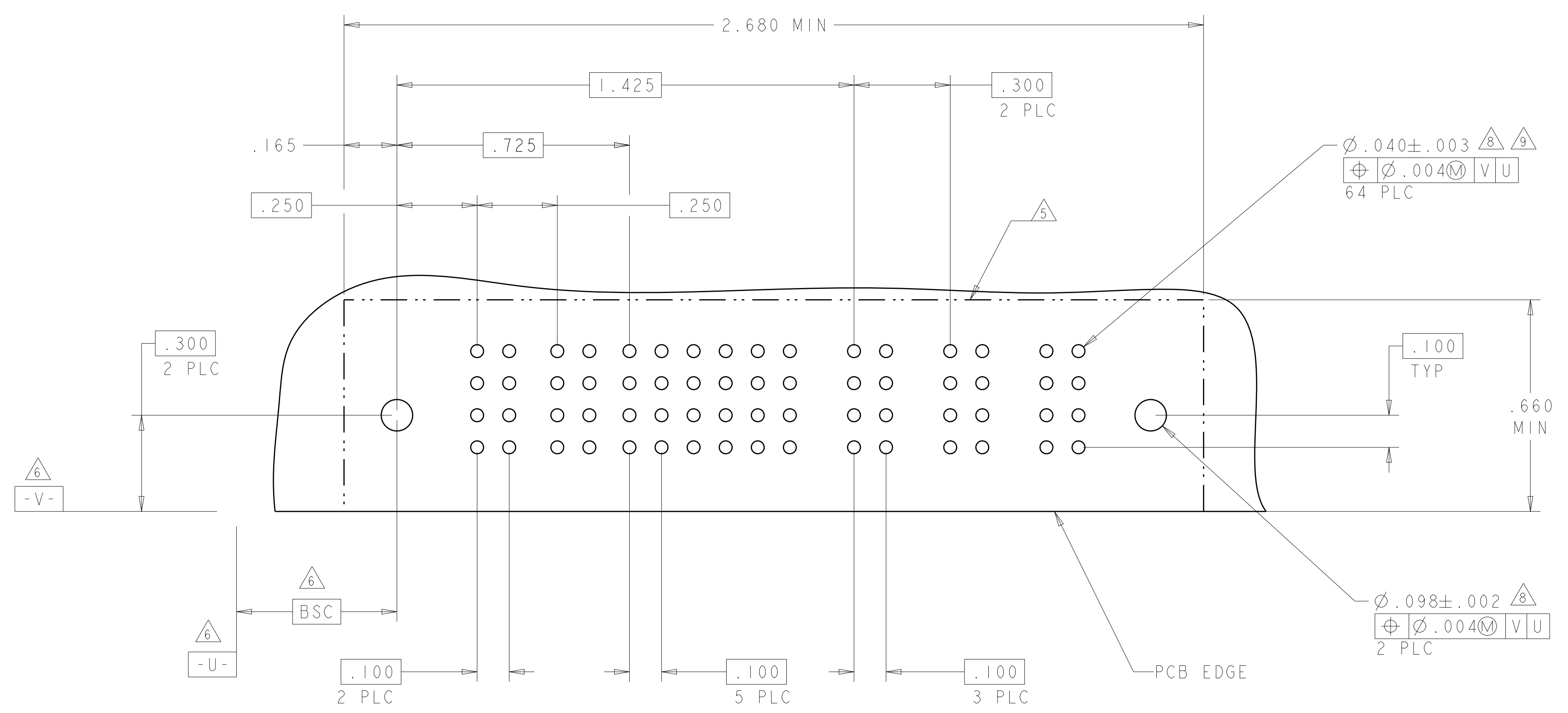
|                       |  |   |  |
|-----------------------|--|---|--|
| DIMENSIONS:<br>INCHES | TOLERANCES UNLESS OTHERWISE SPECIFIED:<br>0 PLC ±.<br>1 PLC ±.01<br>2 PLC ±.01<br>3 PLC ±.005<br>4 PLC ±.0020<br>ANGLES ±.7° | OWN: R. GRZYBOWSKI 14FEB2005<br>CHK: M. PERCHERKE 14FEB2005<br>APVD: M. PERCHERKE 14FEB2005 | NAME: RIGHT ANGLE HEADER ASSEMBLY W/GUIDES MULTI-BEAM XL |
| MATERIAL: .           | FINISH: .  | PRODUCT SPEC: 108-1973<br>APPLICATION SPEC: 114-13038<br>WEIGHT: .                          | SIZE: A1<br>CAGE CODE: 100779<br>DRAWING NO: C=6450130   |
| Customer Drawing      |  | SCALE: 4:1  | SHEET 21 OF 28 REV: M2                                   |

4805 (3/11)

| LOC | DIST | REVISIONS |     |             |      |     |      |
|-----|------|-----------|-----|-------------|------|-----|------|
|     |      | P         | LTN | DESCRIPTION | DATE | DWN | APVD |
| ES  | 00   | -         | -   | SEE SHEET 1 | -    | -   | -    |

| PART NUMBER | ROWS | POWER |    | SIGNAL |   |   |   |   |   | POWER |    |    |
|-------------|------|-------|----|--------|---|---|---|---|---|-------|----|----|
|             |      | P1    | P2 | 1      | 2 | 3 | 4 | 5 | 6 | P3    | P4 | P5 |
| 9-6450130-5 | D    | PM    | PM | J      | J | E | J | J | J | PM    | PM | PM |
|             | C    |       |    | K      | K | K | K | K |   |       |    |    |
|             | B    |       |    | N      | N | G | N | N | N |       |    |    |
|             | A    |       |    | S      | S | S | S | S | S |       |    |    |

2P + 24S + 3ACP



THIS DRAWING IS A CONTROLLED DOCUMENT.

|                       |  |   |   |
|-----------------------|--|---|---|
| DIMENSIONS:<br>INCHES | TOLERANCES UNLESS OTHERWISE SPECIFIED:<br>0 PLC ±.<br>1 PLC ±.01<br>2 PLC ±.01<br>3 PLC ±.005<br>4 PLC ±.0020<br>ANGLES ±.2° | DWN: R. GRZYBOWSKI 14FEB2005<br>CHK: M. PERCHERKE 14FEB2005<br>APVD: M. PERCHERKE 14FEB2005 | NAME: RIGHT ANGLE HEADER ASSEMBLY W/GUIDES MULTI-BEAM XL                |
| MATERIAL: -           | FINISH: -  | PRODUCT SPEC: 108-1973<br>APPLICATION SPEC: 114-13038<br>WEIGHT: -                          | SIZE: A1<br>CAGE CODE: 00779<br>DRAWING NO: 6450130<br>RESTRICTED TO: - |
| Customer Drawing      |  | SCALE: 4:1  | SHEET 22 OF 28 REV: M2  |

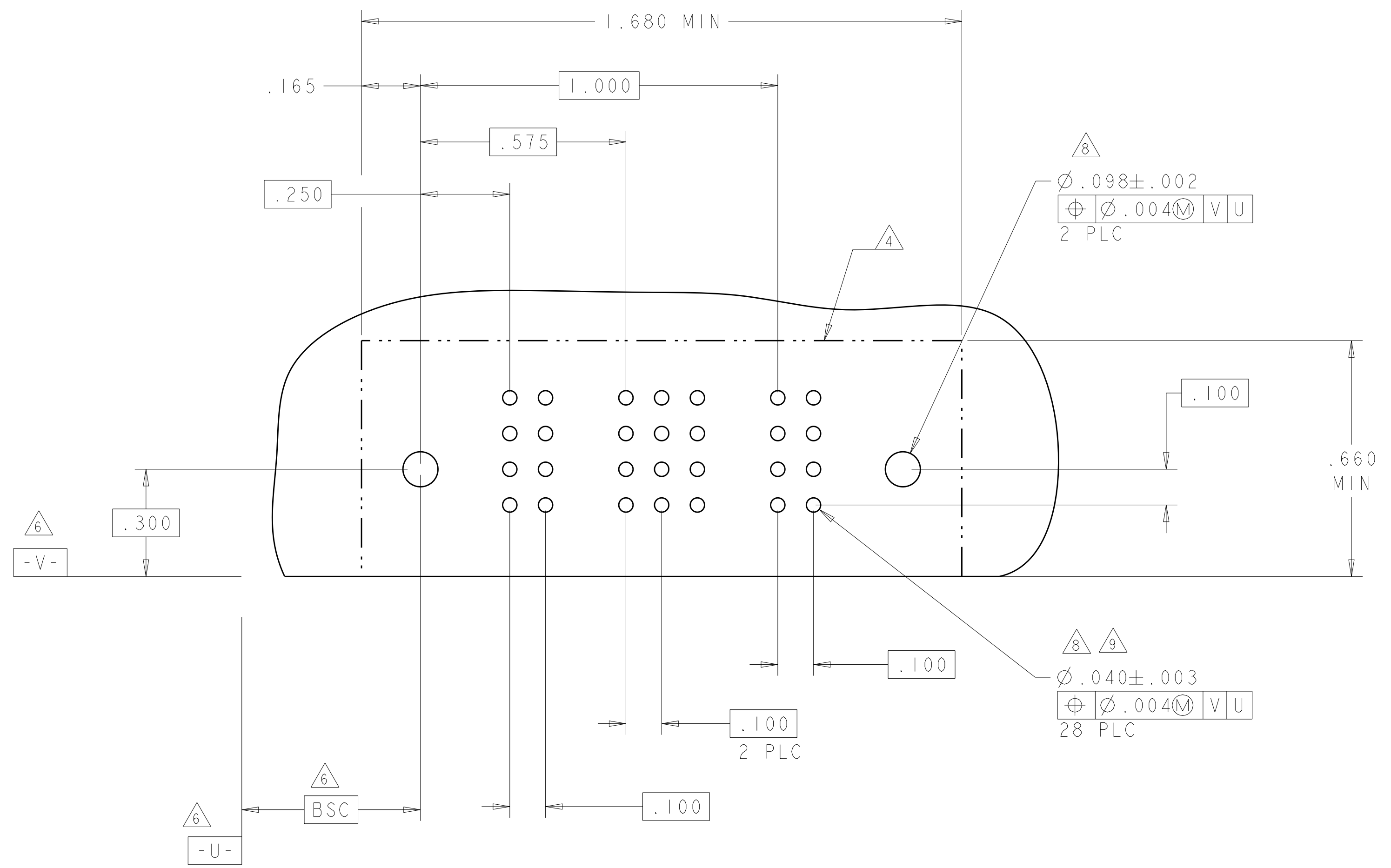
4805 (3/11)

| LOC | DIST | REVISIONS |     |             |      |     |      |
|-----|------|-----------|-----|-------------|------|-----|------|
|     |      | P         | LTH | DESCRIPTION | DATE | DWN | APVD |
| ES  | 00   | -         | -   | SEE SHEET 1 | -    | -   | -    |
|     |      |           |     |             |      |     |      |
|     |      |           |     |             |      |     |      |

| PART NUMBER | ROWS | POWER |    | SIGNAL |   |   |   |    | POWER |    |
|-------------|------|-------|----|--------|---|---|---|----|-------|----|
|             |      | PI    | 1  | 2      | 3 | 4 | 5 | P2 |       |    |
| 9-6450130-6 | D    | PM    | HD | E      | J | J |   |    | PM    | HD |
|             | C    |       |    | K      | K | K |   |    |       |    |
|             | B    |       |    | N      | N | N |   |    |       |    |
|             | A    |       |    | S      | S | S |   |    |       |    |

IP + 20S + IP

NO CONTACTS LOADED



|  |        |                             |  |       |      |       |      |       |       |       |        |        |      |                        |          |
|--|--------|-----------------------------|--|-------|------|-------|------|-------|-------|-------|--------|--------|------|------------------------|----------|
| THIS DRAWING IS A CONTROLLED DOCUMENT.   |        | DWN: R.GRZYBOWSKI 14FEB2005 | TE Connectivity  |       |      |       |      |       |       |       |        |        |      |                        |          |
| DIMENSIONS: INCHES   |        | CHK: M.PERCHEKKE 14FEB2005  |  |       |      |       |      |       |       |       |        |        |      |                        |          |
| TOLERANCES UNLESS OTHERWISE SPECIFIED:   |        | APVD: M.PERCHEKKE 14FEB2005 | NAME: RIGHT ANGLE HEADER ASSEMBLY W/GUIDES MULTI-BEAM XL |       |      |       |      |       |       |       |        |        |      |                        |          |
| <table border="1"> <tr><td>0 PLC</td><td>±</td></tr> <tr><td>1 PLC</td><td>±.01</td></tr> <tr><td>2 PLC</td><td>±.05</td></tr> <tr><td>3 PLC</td><td>±.005</td></tr> <tr><td>4 PLC</td><td>±.0020</td></tr> <tr><td>ANGLES</td><td>±.2°</td></tr> </table> |        | 0 PLC                       | ±  | 1 PLC | ±.01 | 2 PLC | ±.05 | 3 PLC | ±.005 | 4 PLC | ±.0020 | ANGLES | ±.2° | PRODUCT SPEC: 108-1973 | SIZE: A1 |
| 0 PLC  | ±      |                             |  |       |      |       |      |       |       |       |        |        |      |                        |          |
| 1 PLC  | ±.01   |                             |  |       |      |       |      |       |       |       |        |        |      |                        |          |
| 2 PLC  | ±.05   |                             |  |       |      |       |      |       |       |       |        |        |      |                        |          |
| 3 PLC  | ±.005  |                             |  |       |      |       |      |       |       |       |        |        |      |                        |          |
| 4 PLC  | ±.0020 |                             |  |       |      |       |      |       |       |       |        |        |      |                        |          |
| ANGLES   | ±.2°   |                             |  |       |      |       |      |       |       |       |        |        |      |                        |          |
| MATERIAL: -  |        | APPLICATION SPEC: 114-13038 | CAGE CODE: C=6450130                                     |       |      |       |      |       |       |       |        |        |      |                        |          |
| FINISH: -  |        | WEIGHT: -                   | RESTRICTED TO: -   |       |      |       |      |       |       |       |        |        |      |                        |          |
| Customer Drawing   |        | SCALE: 4:1                  | SHEET 23 OF 28 REV: M2                                   |       |      |       |      |       |       |       |        |        |      |                        |          |

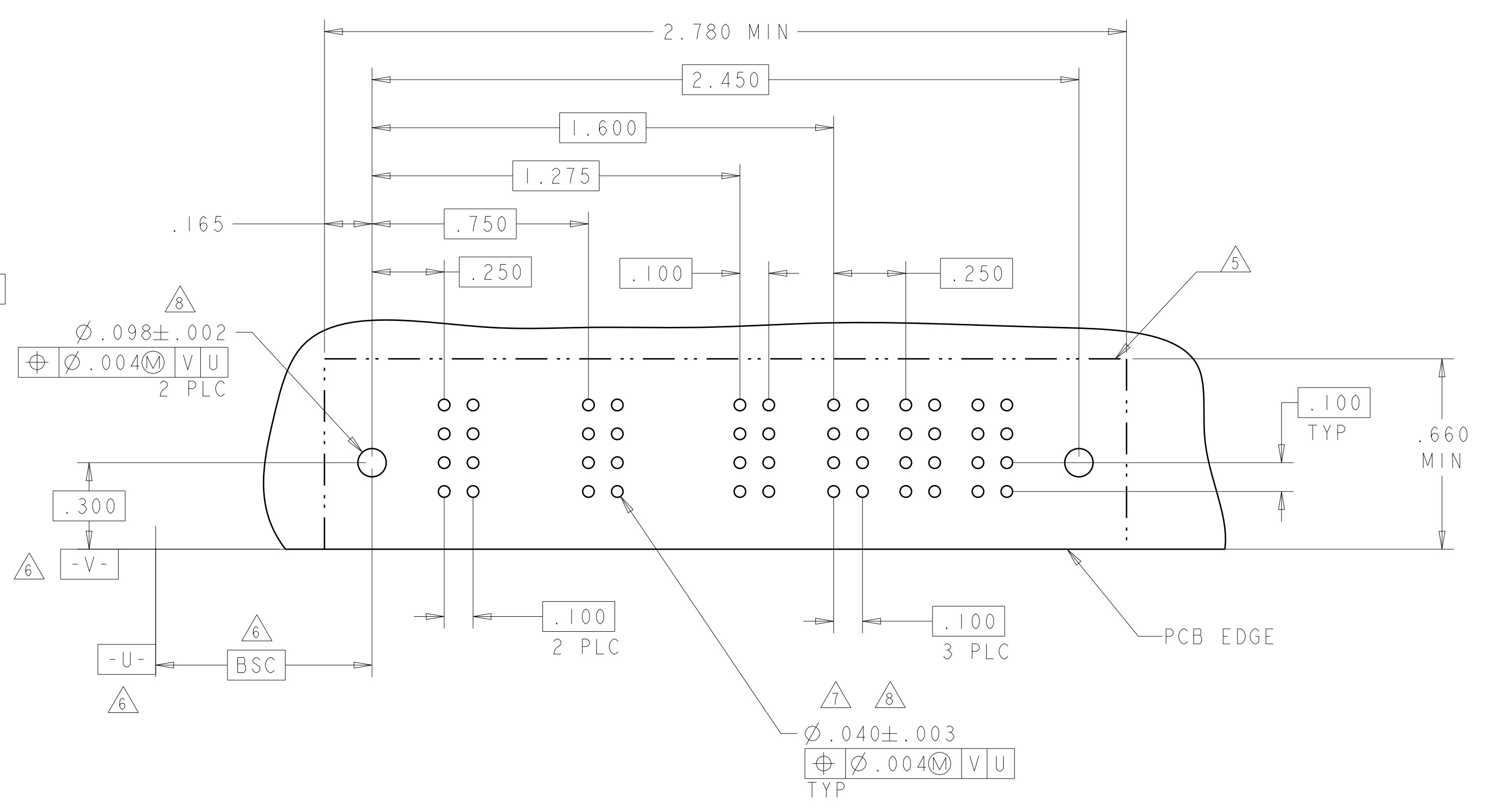
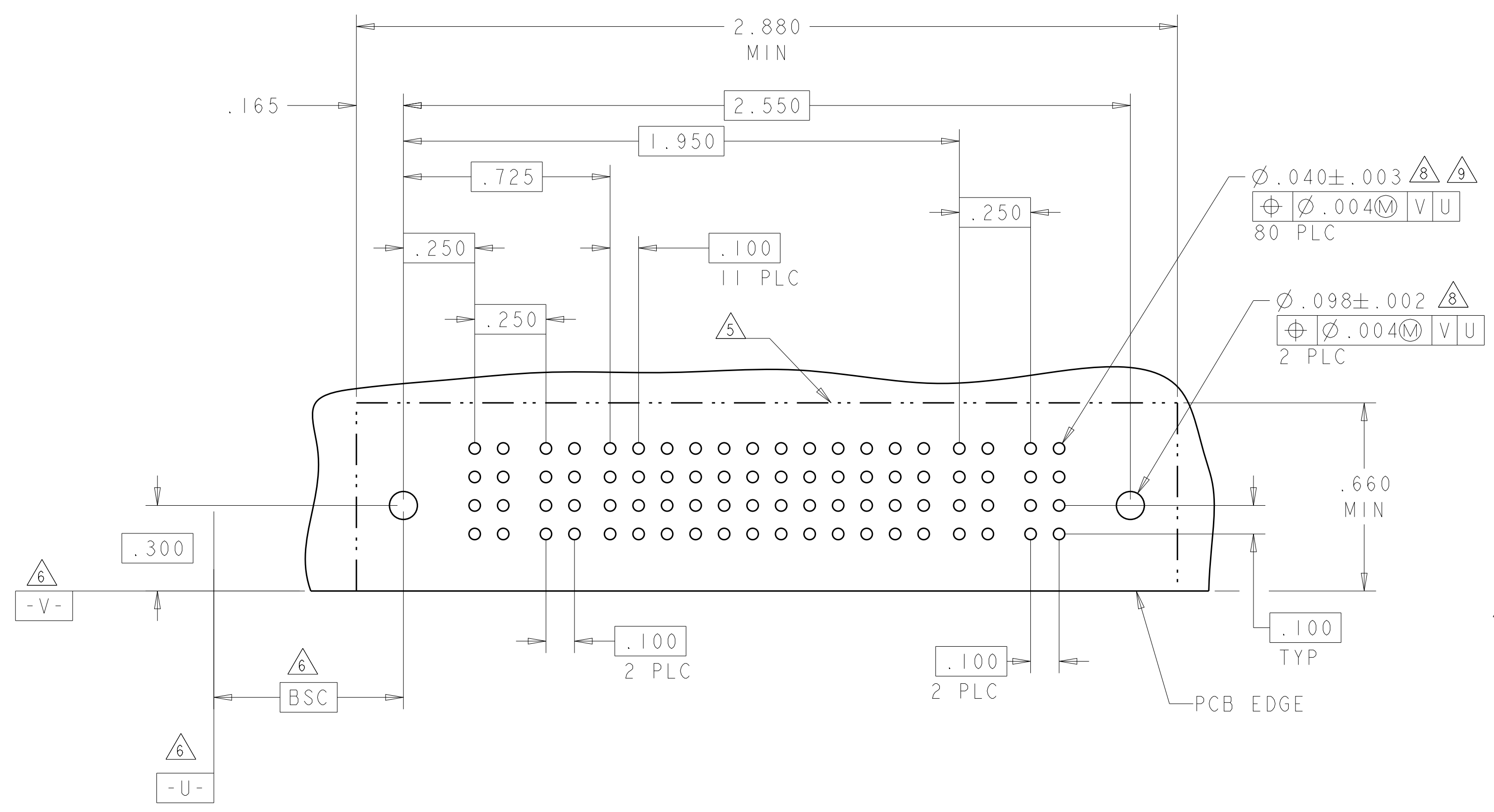
| LOC | DIST | REVISIONS |     |             |      |     |      |
|-----|------|-----------|-----|-------------|------|-----|------|
|     |      | P         | LTN | DESCRIPTION | DATE | DMN | APVD |
| ES  | 00   | -         | -   | SEE SHEET 1 | -    | -   | -    |

| PART NUMBER   | ROWS | POWER |    | SIGNAL |   |   |   |   |   |   |   |   |    |    |    | POWER |    |    |   |
|---------------|------|-------|----|--------|---|---|---|---|---|---|---|---|----|----|----|-------|----|----|---|
|               |      | P1    | P2 | 1      | 2 | 3 | 4 | 5 | 6 | 7 | 8 | 9 | 10 | 11 | 12 | P3    | P4 |    |   |
| 6-6450130-9   | D    | PM    | PM | E      | J | J | J | J | J | J | J | J | J  | J  | J  | E     | PM | PM |   |
|               | C    |       |    | K      | K | K | K | K | K | K | K | K | K  | K  | K  | K     |    |    |   |
|               | B    |       |    | N      | N | N | N | N | N | N | N | N | N  | N  | N  | N     |    |    | N |
|               | A    |       |    | H      | S | S | S | S | S | S | S | S | S  | S  | S  | H     |    |    |   |
| 2P + 48S + 2P |      |       |    |        |   |   |   |   |   |   |   |   |    |    |    |       |    |    |   |

| PART NUMBER   | ROWS | POWER |    |    | SIGNAL |   |   |   |   |   | POWER |    |    |    |
|---------------|------|-------|----|----|--------|---|---|---|---|---|-------|----|----|----|
|               |      | P1    | P2 | P3 | 1      | 2 | 3 | 4 | 5 | 6 | P4    | P5 | P6 |    |
| 9-6450130-7   | D    | PM    | PM | PM |        |   |   |   |   | E | E     | PM | PM | PM |
|               | C    |       |    |    |        |   |   |   |   | F | F     |    |    |    |
|               | B    |       |    |    |        |   |   |   |   | G | G     |    |    |    |
|               | A    |       |    |    |        |   |   |   |   | H | H     |    |    |    |
| 3P + 24S + 3P |      |       |    |    |        |   |   |   |   |   |       |    |    |    |

(L5)

NO CONTACT LOADED

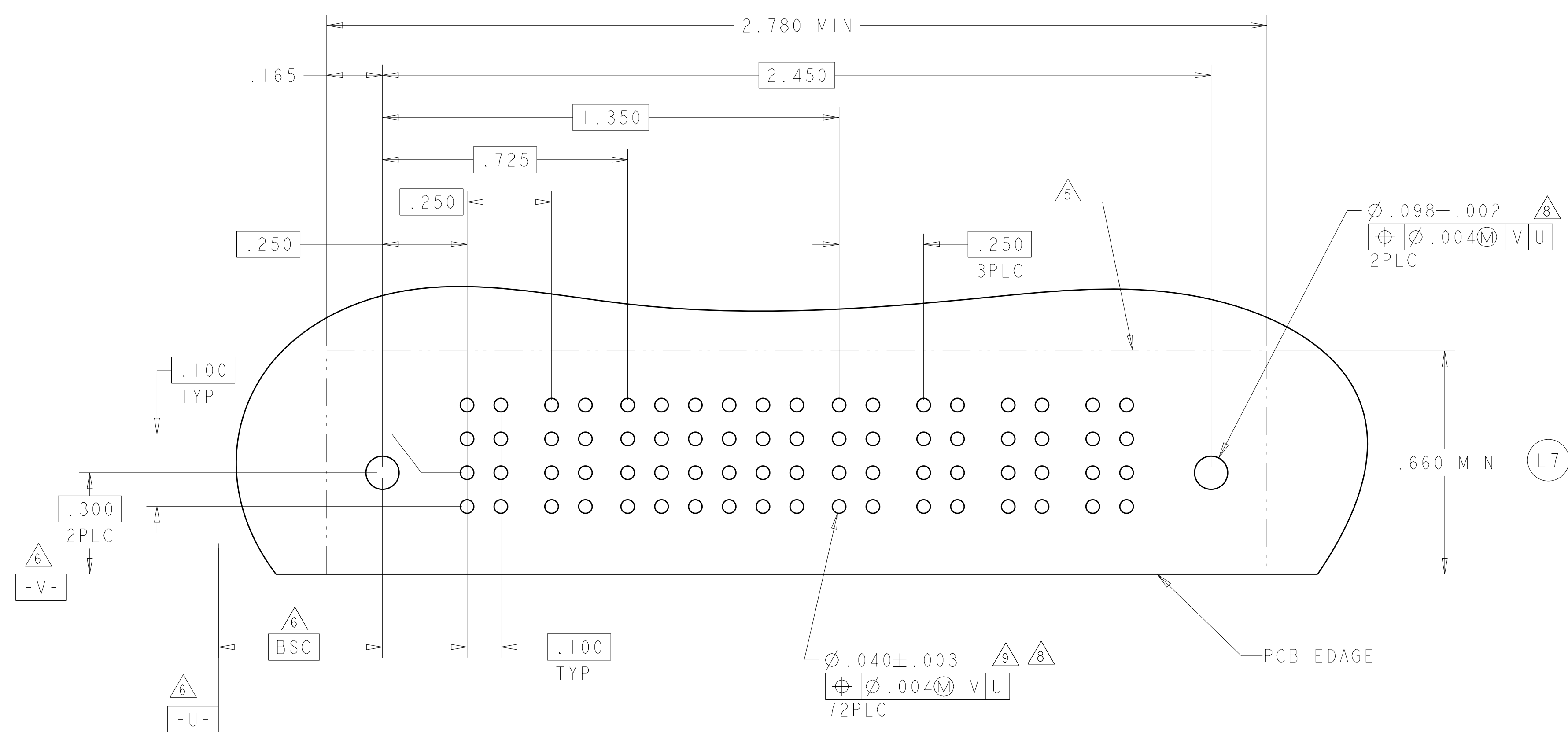


|  |  |                              |                       |  |
|--|--|------------------------------|-----------------------|--|
| THIS DRAWING IS A CONTROLLED DOCUMENT. |  | DMN: R. GRZYBOWSKI 14FEB2005 |                       | TE Connectivity                                    |
| DIMENSIONS: INCHES                     |  | CHK: M. PERCHERKE 14FEB2005  |                       | RIGHT ANGLE HEADER ASSEMBLY W/GUIDES MULTI-BEAM XL |
| TOLERANCES UNLESS OTHERWISE SPECIFIED: |  | APVD: M. PERCHERKE 14FEB2005 | NAME: 108-1973        |  |
| 0 PLC ± .01                            |  | PRODUCT SPEC                 | APPLICATION SPEC      |  |
| 1 PLC ± .01                            |  | SIZE: 114-13038              | CAGE CODE: A100779    |  |
| 2 PLC ± .005                           |  | WEIGHT: -                    | DRAWING NO: C=6450130 |  |
| 3 PLC ± .002                           |  | RESTRICTED TO: -             | SCALE: 4:1            |  |
| 4 PLC ± .002                           |  | Customer Drawing             | SHEET 24 OF 28        |  |
| ANGLES ± .002                          |  |                              | REV: M2               |  |
| FINISH: -                              |  |                              |                       |  |

| LOC | DIST | REVISIONS |     |             |      |     |      |
|-----|------|-----------|-----|-------------|------|-----|------|
|     |      | P         | LTH | DESCRIPTION | DATE | DWN | APVD |
| ES  | 00   | -         | -   | SEE SHEET 1 | -    | -   | -    |

| PART NUMBER | ROWS | POWER |    | SIGNAL |   |   |   |   |   | POWER |    |    |    |
|-------------|------|-------|----|--------|---|---|---|---|---|-------|----|----|----|
|             |      | P1    | P2 | 1      | 2 | 3 | 4 | 5 | 6 | P3    | P4 | P5 | P6 |
| 9-6450130-8 | D    | PM    | PM | E      | J | J | J | J | E | PM    | PM | PM | PM |
|             | C    |       |    | F      | K | K | K | K | F |       |    |    |    |
|             | B    |       |    | N      | N | N | N | N | N |       |    |    |    |
|             | A    |       |    | S      | S | S | S | S | S |       |    |    |    |

2P + 24S + 4P



THIS DRAWING IS A CONTROLLED DOCUMENT.

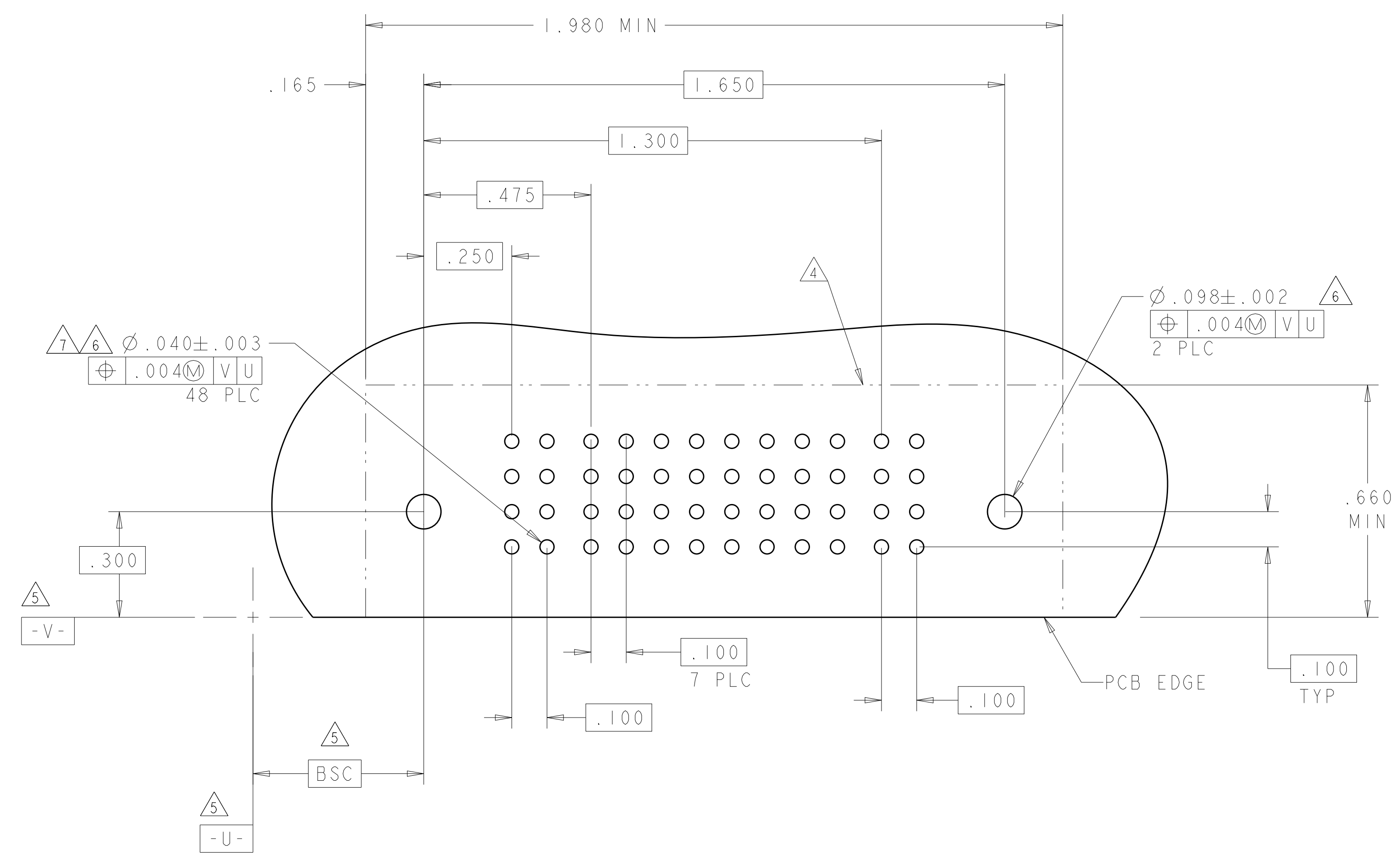
|                       |  |   |  |
|-----------------------|--|---|--|
| DIMENSIONS:<br>INCHES | TOLERANCES UNLESS OTHERWISE SPECIFIED:<br>0 PLC ±.<br>1 PLC ±.01<br>2 PLC ±.01<br>3 PLC ±.005<br>4 PLC ±.0020<br>ANGLES ±.2° | DWN: R. GRZYBOWSKI 14FEB2005<br>CHK: M. PERCHERKE 14FEB2005<br>APVD: M. PERCHERKE 14FEB2005 | NAME: RIGHT ANGLE HEADER ASSEMBLY W/GUIDES MULTI-BEAM XL |
| MATERIAL: -           | FINISH: -  | PRODUCT SPEC: 108-1973<br>APPLICATION SPEC: 114-13038<br>WEIGHT: -                          | SIZE: A1<br>CAGE CODE: 00779<br>DRAWING NO: 6450130      |
| Customer Drawing      |  | SCALE: 4:1  | SHEET 25 OF 28 REV: M2                                   |

4805 (3/11)

| LOC |    | DIST |     | REVISIONS   |      |     |      |
|-----|----|------|-----|-------------|------|-----|------|
| ES  | 00 | P    | LTN | DESCRIPTION | DATE | DMN | APVD |
|     |    | -    |     | SEE SHEET 1 |      |     |      |
|     |    |      |     |             |      |     |      |
|     |    |      |     |             |      |     |      |

| PART NUMBER   | ROWS | POWER |    | SIGNAL |   |   |   |   |   |   |   | POWER |    |   |
|---------------|------|-------|----|--------|---|---|---|---|---|---|---|-------|----|---|
|               |      | PI    | P2 | 1      | 2 | 3 | 4 | 5 | 6 | 7 | 8 | PI    | P2 |   |
| 9-6450130-9   | D    | PM    | PM | J      | J | J | J | J | J | J | J | J     | J  |   |
|               | C    |       |    | K      | K | K | F | K | K | K | K | K     | K  |   |
|               | B    |       |    | N      | N | N | N | N | N | N | N | N     | N  | N |
|               | A    |       |    | S      | S | S | S | S | S | S | S | S     | S  | S |
| IP + 32S + IP |      | HD    | HD |        |   |   |   |   |   |   |   | HD    | HD |   |

(L8)

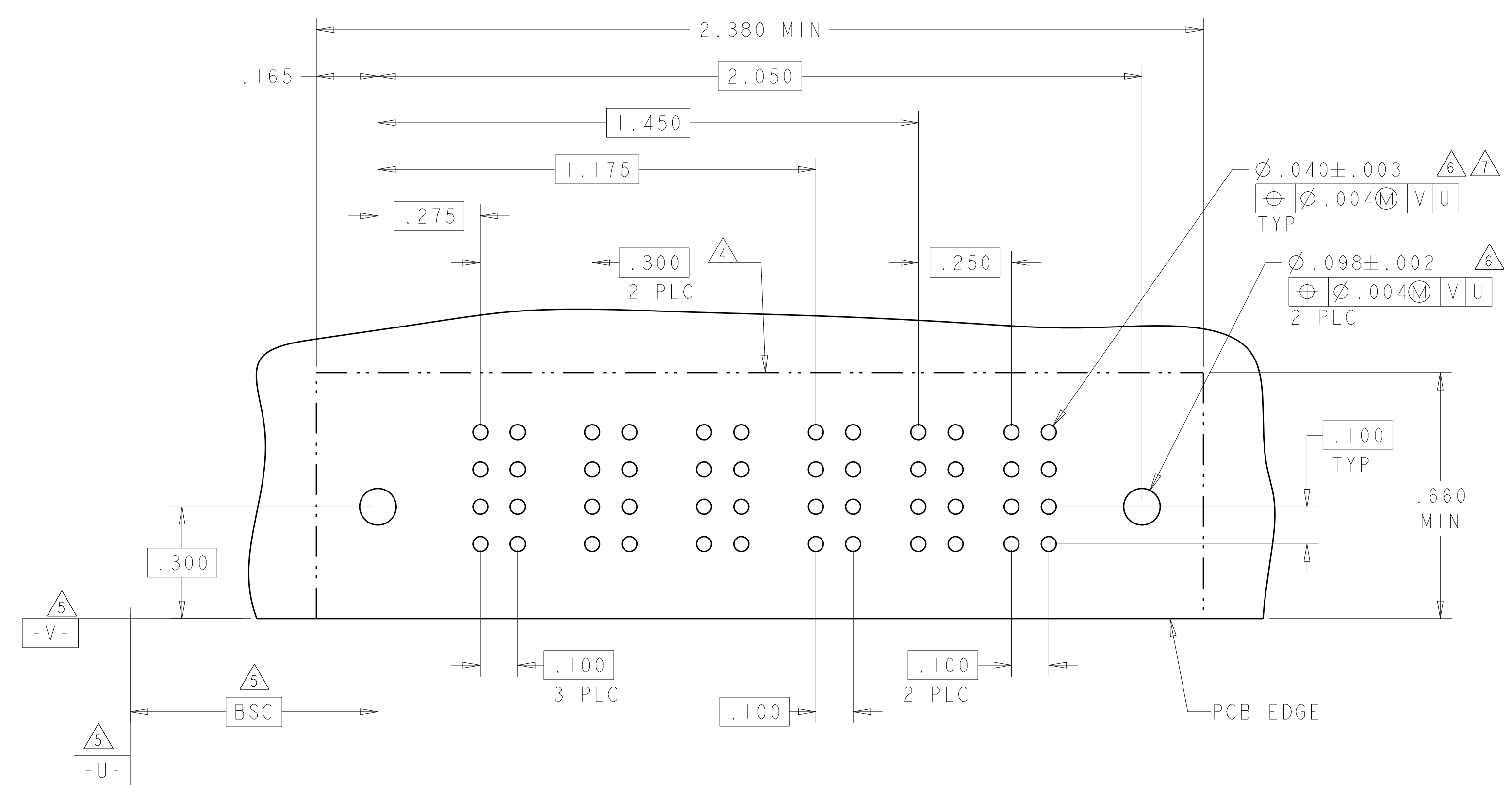


|  |  |                              |  |
|--|--|------------------------------|--|
| THIS DRAWING IS A CONTROLLED DOCUMENT.   |  | DMN: R. GRZYBOWSKI 14FEB2005 | <br>TE Connectivity                                      |
| DIMENSIONS: INCHES   |  | CHK: M. PERCHERKE 14FEB2005  |  |
| TOLERANCES UNLESS OTHERWISE SPECIFIED:   |  | APVD: M. PERCHERKE 14FEB2005 | NAME: RIGHT ANGLE HEADER ASSEMBLY W/GUIDES MULTI-BEAM XL |
| 0 PLC ±.<br>1 PLC ±.01<br>2 PLC ±.01<br>3 PLC ±.005<br>4 PLC ±.0020<br>ANGLES ±.2° |  | PRODUCT SPEC: 108-1973       | SIZE: A1   |
| MATERIAL: -  |  | APPLICATION SPEC: 114-13038  | CAGE CODE: C=6450130                                     |
| FINISH: -  |  | WEIGHT: -                    | RESTRICTED TO: -   |
|  |  | Customer Drawing             | SCALE: 4:1 SHEET 26 OF 28 REV: M2                        |



| PART NUMBER    | ROWS | HD | POWER |    |    | SIGNAL |   | POWER |    | HD |
|----------------|------|----|-------|----|----|--------|---|-------|----|----|
|                |      |    | P1    | P2 | P3 | 1      | 2 | P4    | P5 |    |
| 7-6450130-1    | D    | HD | PM    | PM | PM | J      | J | PM    | PM | HD |
|                | C    |    |       |    |    | K      | K |       |    |    |
|                | B    |    |       |    |    | N      | N |       |    |    |
|                | A    |    |       |    |    | H      | S |       |    |    |
| 3ACP + 8S + 2P |      |    |       |    |    |        |   |       |    |    |

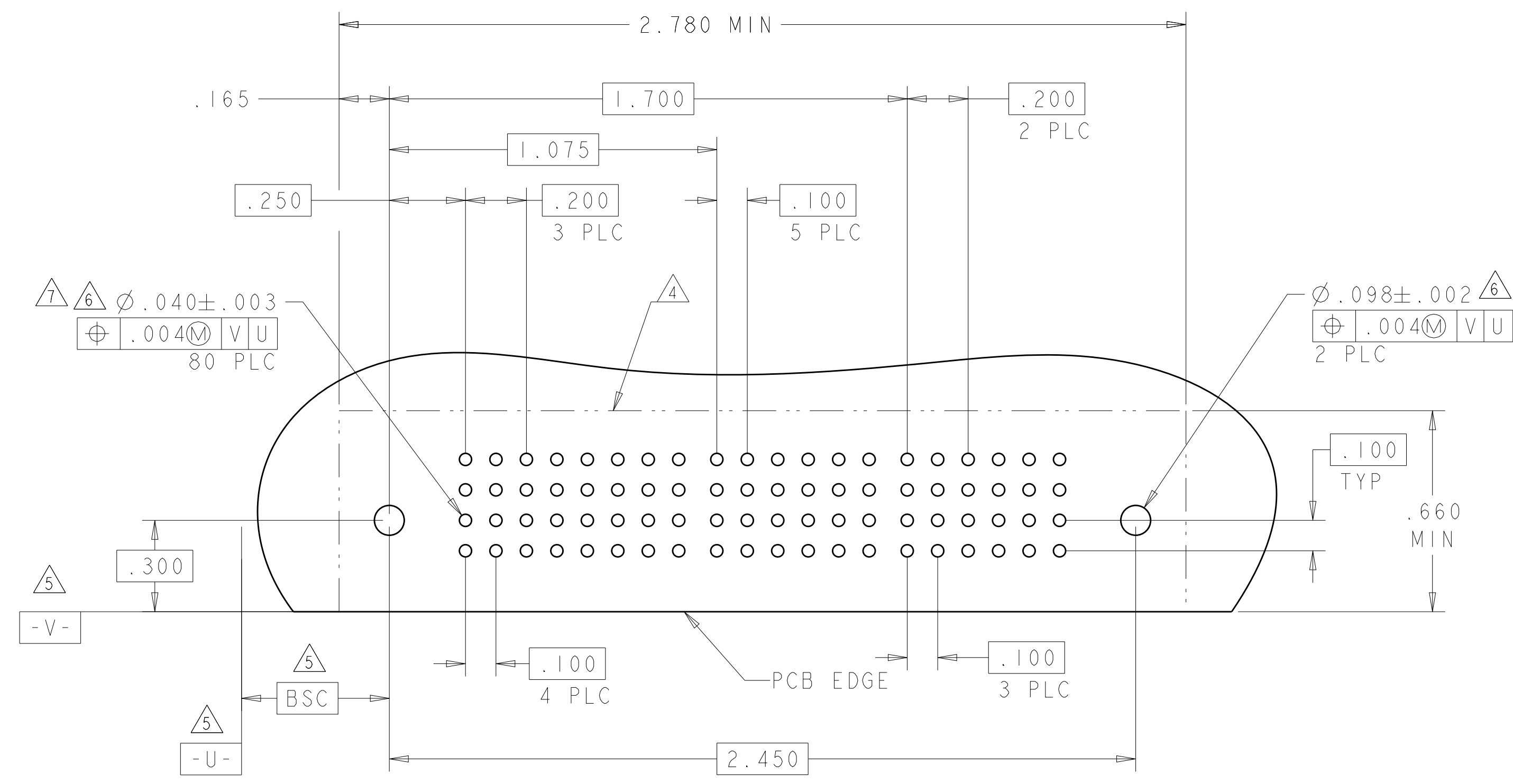
(L9)



|  |  |   |  |
|--|--|---|--|
| THIS DRAWING IS A CONTROLLED DOCUMENT. |  | OWN: R. GRZYBOWSKI 14FEB2005<br>CHK: M. PERCHERKE 14FEB2005<br>APVD: M. PERCHERKE 14FEB2005 | TE Connectivity  |
| DIMENSIONS: INCHES                     | TOLERANCES UNLESS OTHERWISE SPECIFIED:   | PRODUCT SPEC: 108-1973<br>APPLICATION SPEC: 114-13038                                       | NAME: RIGHT ANGLE HEADER ASSEMBLY W/GUIDES MULTI-BEAM XL |
|  | 0 PLC ±.<br>1 PLC ±.<br>2 PLC ±.01<br>3 PLC ±.005<br>4 PLC ±.0020<br>ANGLES ±.7° | SIZE: CAGE CODE: DRAWING NO: A100779C=6450130<br>WEIGHT: -<br>Customer Drawing              | RESTRICTED TO: -   |
| MATERIAL: -                            | FINISH: -  | SCALE: 4:1  | SHEET 27 OF 28 REV M2                                    |

| LOC | DIST | REVISIONS   |      |     |      |
|-----|------|-------------|------|-----|------|
| P   | LTN  | DESCRIPTION | DATE | DMN | APVD |
| -   | -    | SEE SHEET 1 | -    | -   | -    |
|     |      |             |      |     |      |
|     |      |             |      |     |      |

| PART NUMBER       | ROWS             | POWER |    |    |    | SIGNAL |   |   |   |   |   | POWER |    |    |
|-------------------|------------------|-------|----|----|----|--------|---|---|---|---|---|-------|----|----|
|                   |                  | P1    | P2 | P3 | P4 | 1      | 2 | 3 | 4 | 5 | 6 | P5    | P6 | P7 |
| 5-6450130-3       | D<br>C<br>B<br>A | PM    | PM | PM | PM | J      | J | J | J | J | J | PM    | PM | PM |
|                   |                  |       |    |    |    | K      | K | K | K | K | K |       |    |    |
|                   |                  |       |    |    |    | N      | N | N | N | N | N |       |    |    |
|                   |                  |       |    |    |    | H      | S | S | S | S | S |       |    |    |
| 4HDP + 24S + 3HDP |                  |       |    |    |    |        |   |   |   |   |   |       |    |    |



|  |  |  |   |  |
|--|--|--|---|--|
| THIS DRAWING IS A CONTROLLED DOCUMENT. |  | DMN: R.GRZYBOWSKI 14FEB2005<br>CHK: M.PERCHEKKE 14FEB2005<br>APVD: M.PERCHEKKE 14FEB2005 | TE Connectivity   |  |
| DIMENSIONS:<br>INCHES                  | TOLERANCES UNLESS OTHERWISE SPECIFIED:<br>0 PLC ±.<br>1 PLC ±.01<br>2 PLC ±.01<br>3 PLC ±.005<br>4 PLC ±.0020<br>ANGLES ±.7° | PRODUCT SPEC: 108-1973<br>APPLICATION SPEC: 114-13038<br>WEIGHT: -                       | NAME: RIGHT ANGLE HEADER ASSEMBLY W/GUIDES MULTI-BEAM XL<br>SIZE: A1<br>CAGE CODE: 6450130<br>DRAWING NO: 6450130 |  |
| MATERIAL: -                            |  | RESTRICTED TO: -<br>SCALE: 4:1 SHEET 28 OF 28 REV: M2                                    |   |  |
| Customer Drawing                       |  |  |   |  |

## X-ON Electronics

Largest Supplier of Electrical and Electronic Components

*Click to view similar products for [Power to the Board](#) category:*

*Click to view products by [TE Connectivity](#) manufacturer:*

Other Similar products are found below :

[6450552-7](#) [6643429-1](#) [6646040-2](#) [6766604-1](#) [120959-1](#) [1393557-2](#) [1393532-2](#) [1393532-3](#) [1393532-4](#) [1393557-1](#) [1744132-7](#) [1766250-1](#)  
[1892109-1](#) [1-6450850-6](#) [1-6450869-6](#) [1645526-2](#) [2005243-2](#) [377-0020-11130](#) [MC116N](#) [TE34-12-16P-F0](#) [51700-10201602AALF](#) [51970-004](#) [5-6450830-6](#) [4-6600333-3](#) [10125416-4050LF](#) [10130248-005LF](#) [6600320-3](#) [IPBT-103-H1-T-S-RA](#) [1888123-2](#) [6766605-1](#) [701-15-02109](#)  
[6450810-7](#) [46437-1112](#) [6450813-2](#) [6450842-4](#) [10108877-R24403SLF](#) [1645523-1](#) [PSS-06-01-T-S](#) [FWS-03-04-T-S](#) [51760-10301603ABLF](#)  
[MDF6-TA2022HC](#) [FWS-05-01-T-S](#) [51720-10206002AALF](#) [QE-POL-KEY](#) [FWS-08-01-T-S](#) [698-0075-04](#) [6651670-1](#) [MC120N](#) [2-1600788-6](#)  
[1761385-3](#)