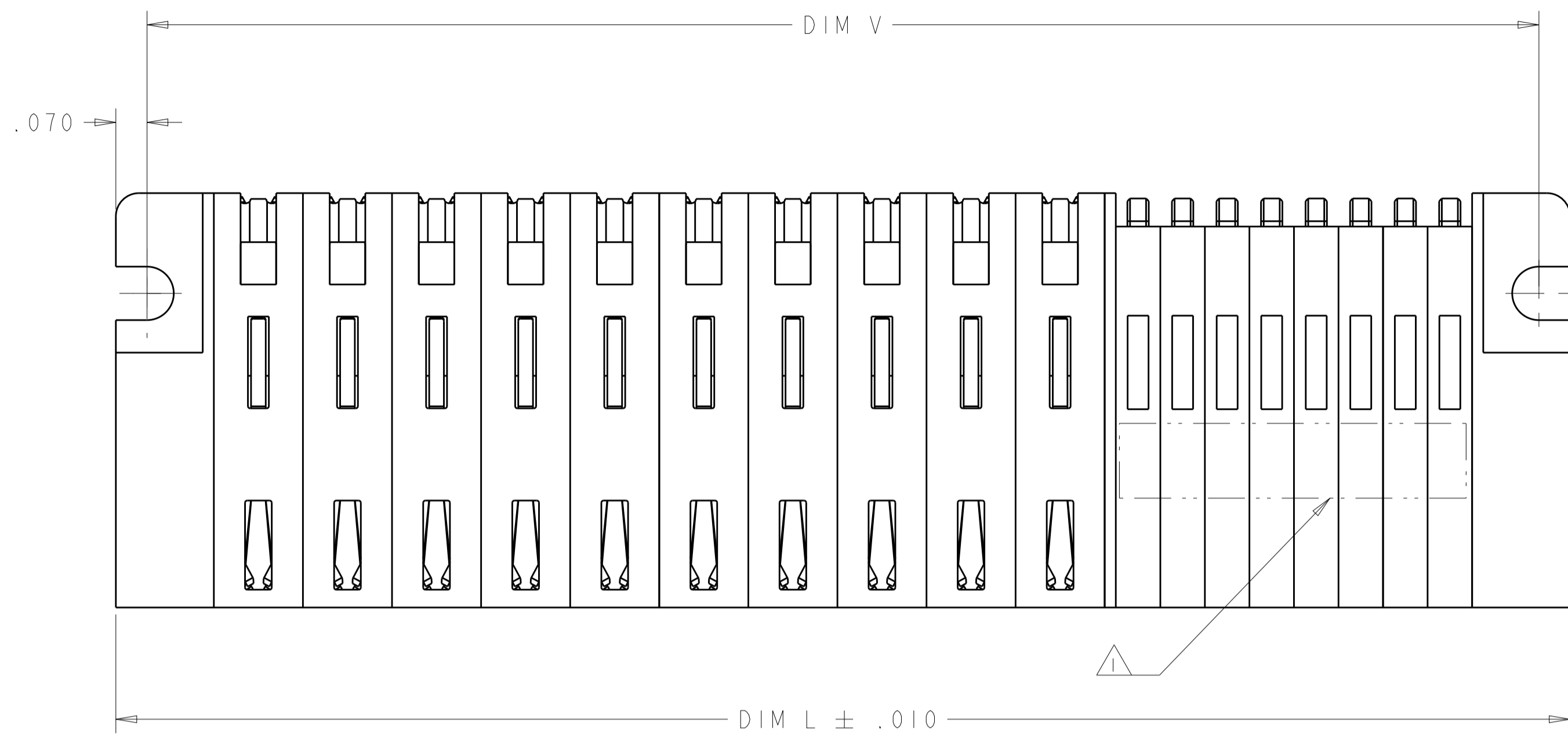
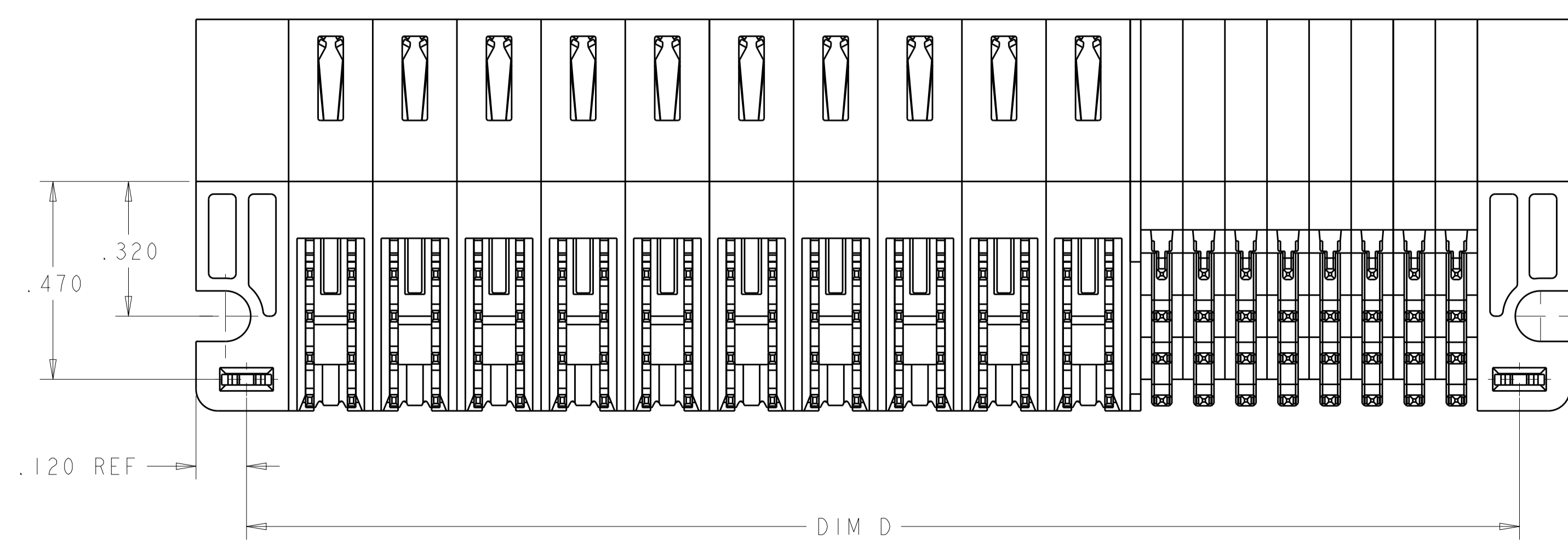
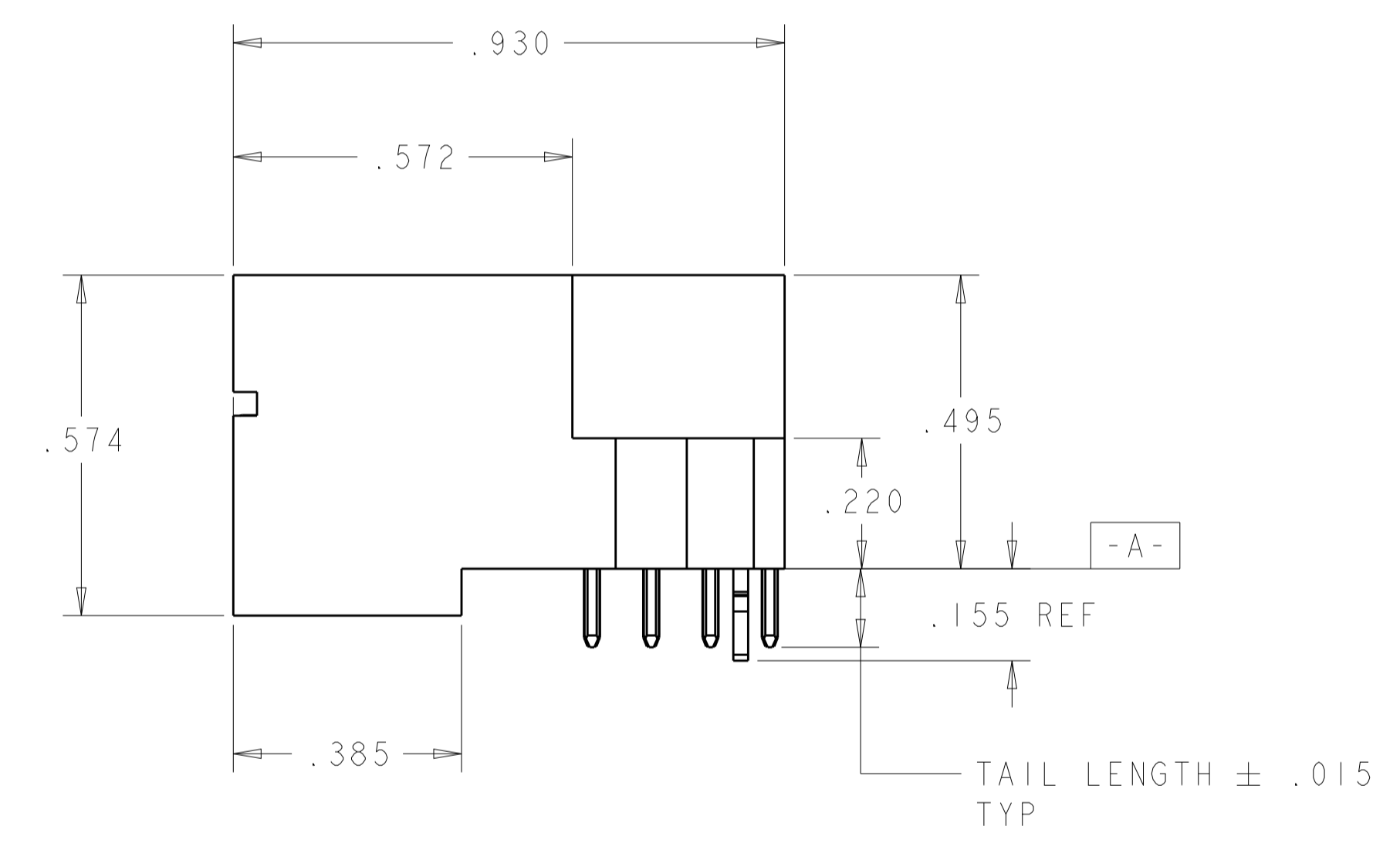
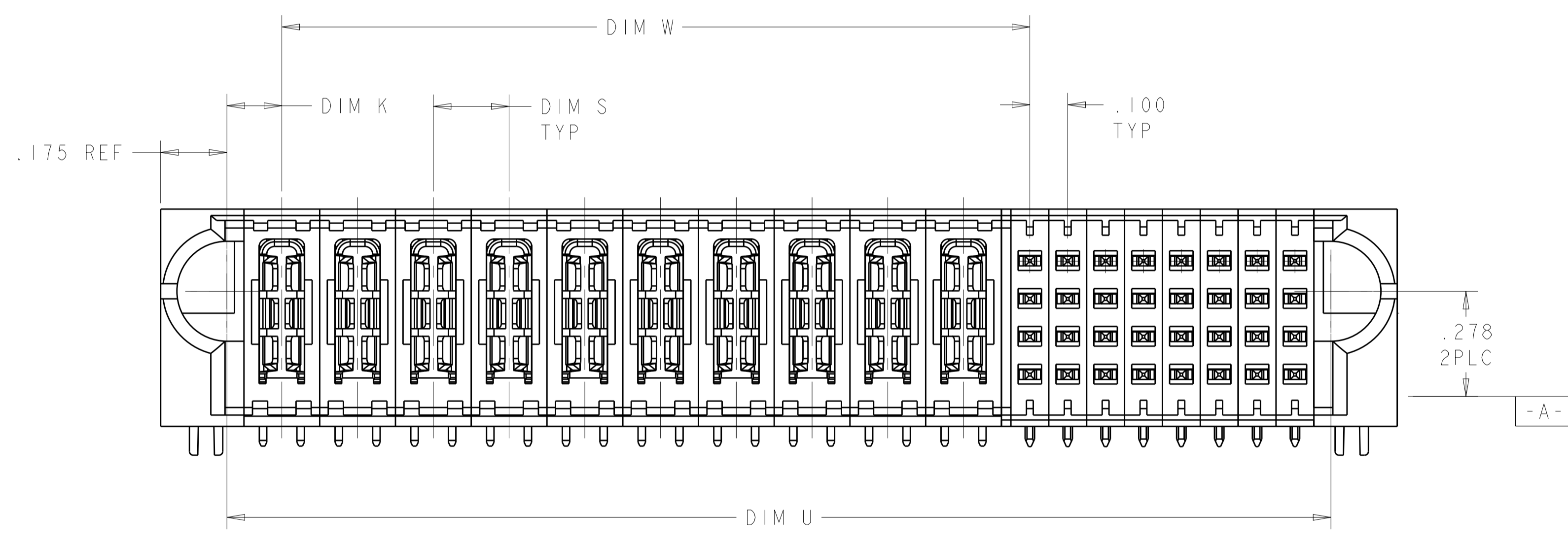


LOC	DIST	REVISIONS					
		P	LTN	DESCRIPTION	DATE	DWN	APVD
ES	00	K4		REVISED 4-7 BY CUSTOMER	18MAY2015	CZ	SZ
		K5		REVISED 4-7 SIGNAL PINS BY CUSTOMER	09JUN2015	CZ	SZ
		K6		REV PER ECO-17-001490	12DEC2016	CZ	SZ



- 1 "AMP", PART NUMBER AND DATE CODE TO BE MARKED IN AREA SHOWN PARTS UNDER 2.00" LONG MAY BE MARKED ON BOTH SIDES
- 2 MATERIAL:  
HOUSING - GLASS FILLED HIGH TEMP THERMO PLASTIC, UL94 V-0  
SIGNAL CONTACT - COPPER ALLOY  
POWER CONTACT - HIGH CONDUCTIVITY COPPER ALLOY
- 3 CONTACT PLATING: NOBLE METAL PLATING ON CONTACT FUNCTIONAL AREA OF SIGNAL CONTACTS AND POWER CONTACTS.
- 4 MECHANICAL CONNECTOR KEEP OUT ZONE
- 5 DATUM AND BASIC DIMENSIONS ESTABLISHED BY CUSTOMER
- 6 PCB - ALL HOLE DIAMETERS ARE FINISHED HOLE SIZES
- 7 PCB - 0.0453 ± .0010 DRILLED HOLES PLATED WITH .0003 MIN Sn OVER .001 TO .003 Cu PLATING TO ACHIEVE A .040 ± .030 HOLE
- 8 FOR CONFIGURATION "L/P", "P/LP/S", PLEASE REFER TO SHEET 3.
- 9 VARIABLE DIMENSIONS PLEASE SEE PART TABLE.



THIS DRAWING IS A CONTROLLED DOCUMENT.		DWN: H. LIU 27MAY2008	TE Connectivity
		CHK: S. ZHAO 27MAY2008	
DIMENSIONS: INCHES		TOLERANCES UNLESS OTHERWISE SPECIFIED:	NAME: R/A HEADER WITH SHORT GUIDES AND LP CONTACTS ASSEMBLY MULTI-BEAM XLE
0 PLC ±. 1 PLC ±.01 2 PLC ±.01 3 PLC ±.005 4 PLC ±.0020 ANGLES ±.7°		APVD: S. ZHAO	PRODUCT SPEC: 108-2292
MATERIAL: 2		FINISH: 3	APPLICATION SPEC: 114-13251
		WEIGHT: -	SIZE: A1 00779 C=6450832
		CUSTOMER DRAWING	RESTRICTED TO: -
		SCALE: 2:1	SHEET 1 OF 24 REV: K6

LOC		DIST		REVISIONS			
P.	LTN	DESCRIPTION	DATE	OWN	APVD		
-	-	SEE SHEET 1	-	-	-		

$\triangle 9$	4.640	4.500	4.290	4.400	2.550	.145	5P + 2HDP + 4P + 64S	5-6450832-9
$\triangle 9$	5.290	5.150	4.940	5.050	4.050	.195	15P + 28S	4-6450832-7
.200	2.965	2.825	2.615	2.725	1.975	.145	10HDP + 20S	4-6450832-6
$\triangle 9$	2.090	1.950	1.740	1.850	1.000	.145	5HDP + 24S	4-6450832-5
.200	1.990	1.850	1.640	1.750	.975	.170	5HDP + 20S	4-6450832-4
$\triangle 9$	3.790	3.650	3.440	3.550	2.625	.170	12P + 24S	4-6450832-3
.250	3.240	3.100	2.890	3.000	1.925	.170	8P + 32S	4-6450832-2
.250	3.240	3.100	2.890	3.000	1.925	.170	8P + 32S	4-6450832-1
.350	1.565	1.325	1.215	1.425	.975	.145	3P + 4S	4-6450832-0
.250	3.040	2.900	2.690	2.800	1.925	.170	8HDP + 24S	3-6450832-9
$\triangle 9$	2.965	2.825	2.615	2.725	1.825	.195	3ACP + 4P + 24S	3-6450832-8
$\triangle 9$	5.290	5.150	4.940	5.050	4.050	.195	15P + 28S	3-6450832-6
.200	1.990	1.850	1.640	1.750	.975	.170	5HDP + 20S	3-6450832-5
.250	3.090	2.950	2.740	2.850	1.950	.170	8P + 24S	3-6450832-4
$\triangle 9$	4.640	4.500	4.290	4.400	2.550	.145	5P + 2HDP + 4P + 64S	3-6450832-3
.200	3.265	3.125	2.915	3.025	2.175	.145	11HDP + 24S	3-6450832-2
.115 $\triangle 8$	.945	.805	.595	.705	.2725 $\triangle 8$	.1025 $\triangle 8$	2LP + 8S	3-6450832-1
.375	2.240	2.100	1.890	2.000	1.500	.170	4ACP + 8S	3-6450832-0
.200	3.265	3.125	2.915	3.025	2.175	.145	11HDP + 24S	2-6450832-8
.200	3.065	2.925	2.715	2.825	1.975	.145	10HDP + 24S	2-6450832-7
.200	2.240	2.100	1.890	2.000	1.150	.145	6HDP + 24S	2-6450832-6
$\triangle 8$	2.420	2.280	2.070	2.180	1.330	.145	5P + 2LP + 24S	2-6450832-5
$\triangle 8$	3.065	2.925	2.715	2.825	1.525	.195	4P + 40S	2-6450832-4
$\triangle 8$	4.015	3.875	3.665	3.775	3.075	.195	3ACP + 9P + 16S	2-6450832-3
.250	2.415	2.275	2.065	2.175	1.425	.145	6P + 20S	2-6450832-2
$\triangle 8$	2.420	2.280	2.070	2.180	1.330	.145	5P + 2LP + 24S	2-6450832-0
.250	3.790	3.650	3.440	3.550	2.675	.170	11P + 24S	1-6450832-9
$\triangle 8$	3.740	3.600	3.390	3.500	2.625	.170	3ACP + 8P + 24S	1-6450832-7
$\triangle 8$	3.790	3.650	3.440	3.550	2.700	.145	13P + 24S	1-6450832-6
.250	1.490	1.350	1.140	1.250	.675	.170	3P + 12S	1-6450832-4
.250	1.565	1.425	1.215	1.325	.425	.170	2P + 24S	1-6450832-2
.250	3.790	3.650	3.440	3.550	2.900	.145	12P + 16S	1-6450832-0
$\triangle 8$	1.590	1.450	1.240	1.350	.650	.170	2P + 8S	6450832-9
.115 $\triangle 8$	.970	.830	.620	.730	.2725 $\triangle 8$	.1275 $\triangle 8$	2LP + 8S	6450832-8
$\triangle 8$	3.740	3.600	3.390	3.500	2.625	.170	3ACP + 8P + 24S	6450832-7
.200	3.065	2.925	2.715	2.825	1.975	.145	10HDP + 24S	6450832-5
.200	3.065	2.925	2.715	2.825	1.975	.145	10HDP + 24S	6450832-4
.250	2.565	2.425	2.215	2.325	1.425	.170	6P + 24S	6450832-3
$\triangle 8$	2.575	2.435	2.225	2.335	1.460 $\triangle 8$	.170 $\triangle 8$	4P + 4LP + 24S	6450832-2
.200	3.265	3.125	2.915	3.025	1.975	.145	10HDP + 32S	6450832-1
DIM S	DIM L	DIM V	DIM U	DIM D	DIM W	DIM K	DESCRIPTION	PART NUMBER

VIEW IN SHEET 6

THIS DRAWING IS A CONTROLLED DOCUMENT. DWN 27MAY2008  
CHK H. LIU  
S. ZHAO 27MAY2008

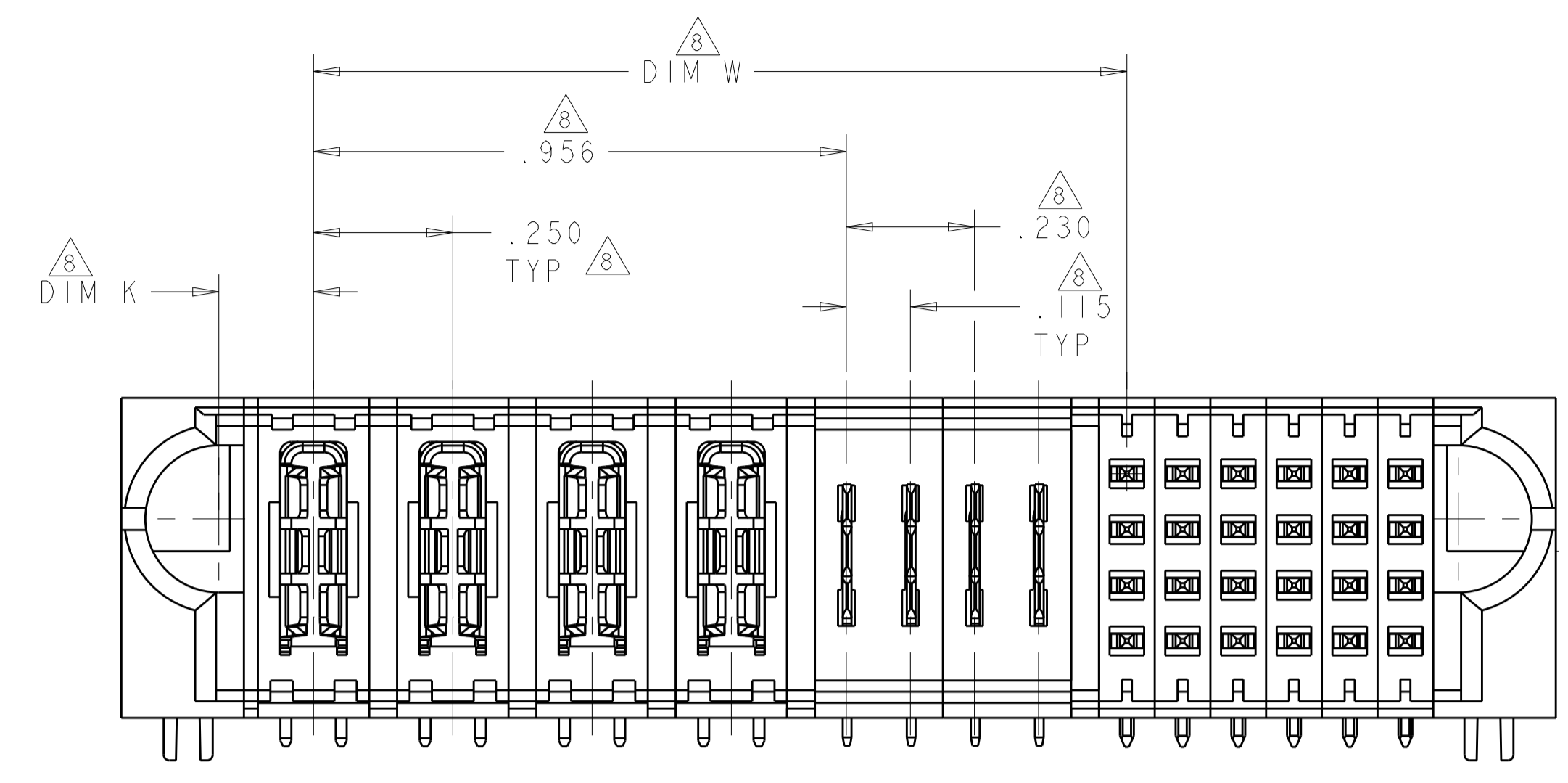
DIMENSIONS: INCHES TOLERANCES UNLESS OTHERWISE SPECIFIED:  
0 PLC ±.  
1 PLC ±.01  
2 PLC ±.01  
3 PLC ±.005  
4 PLC ±.002  
ANGLES ±.002

MATERIAL FINISH

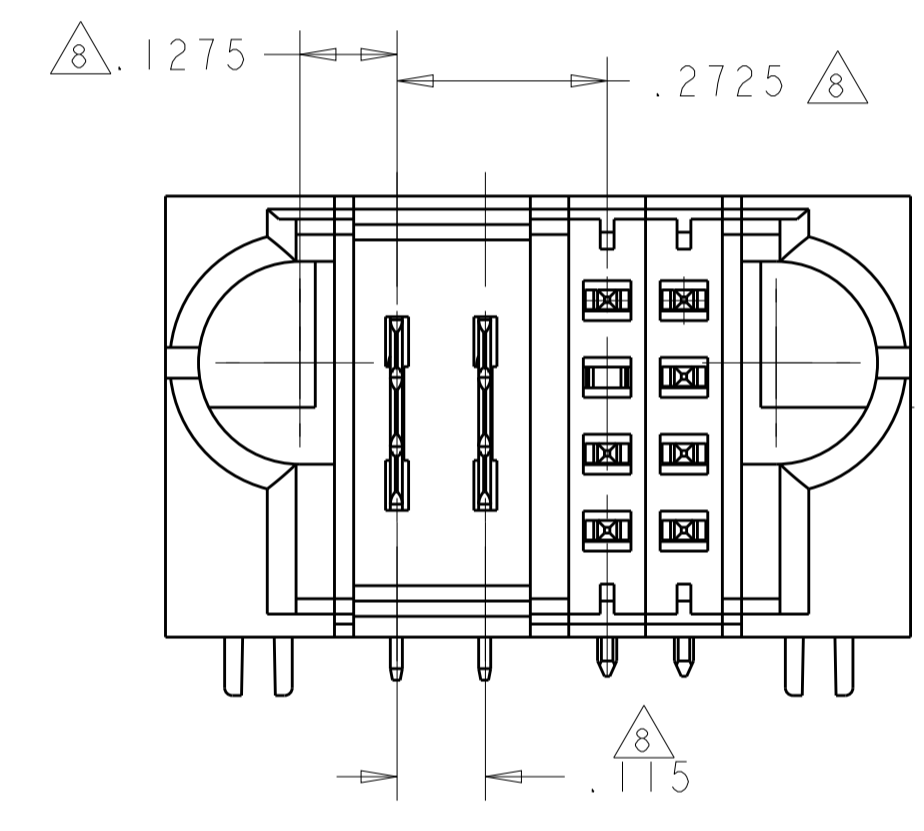
APVD S. ZHAO  
NAME R/A HEADER WITH SHORT GUIDES AND LP CONTACTS ASSEMBLY MULTI-BEAM XLE  
PRODUCT SPEC 108-2292  
APPLICATION SPEC 114-13251  
SIZE CAGE CODE DRAWING NO. 100779  
WEIGHT  
CUSTOMER DRAWING

TE Connectivity  
SCALE 4:1 SHEET 2 OF 24 REV K6

LOC		DIST		REVISIONS			
P	LTN	DESCRIPTION	DATE	DMN	APVD		
-		SEE SHEET 1	-	-	-		



FOR P/N:6450832-2, OTHER DIMENSIONS PLEASE SEE TABLE

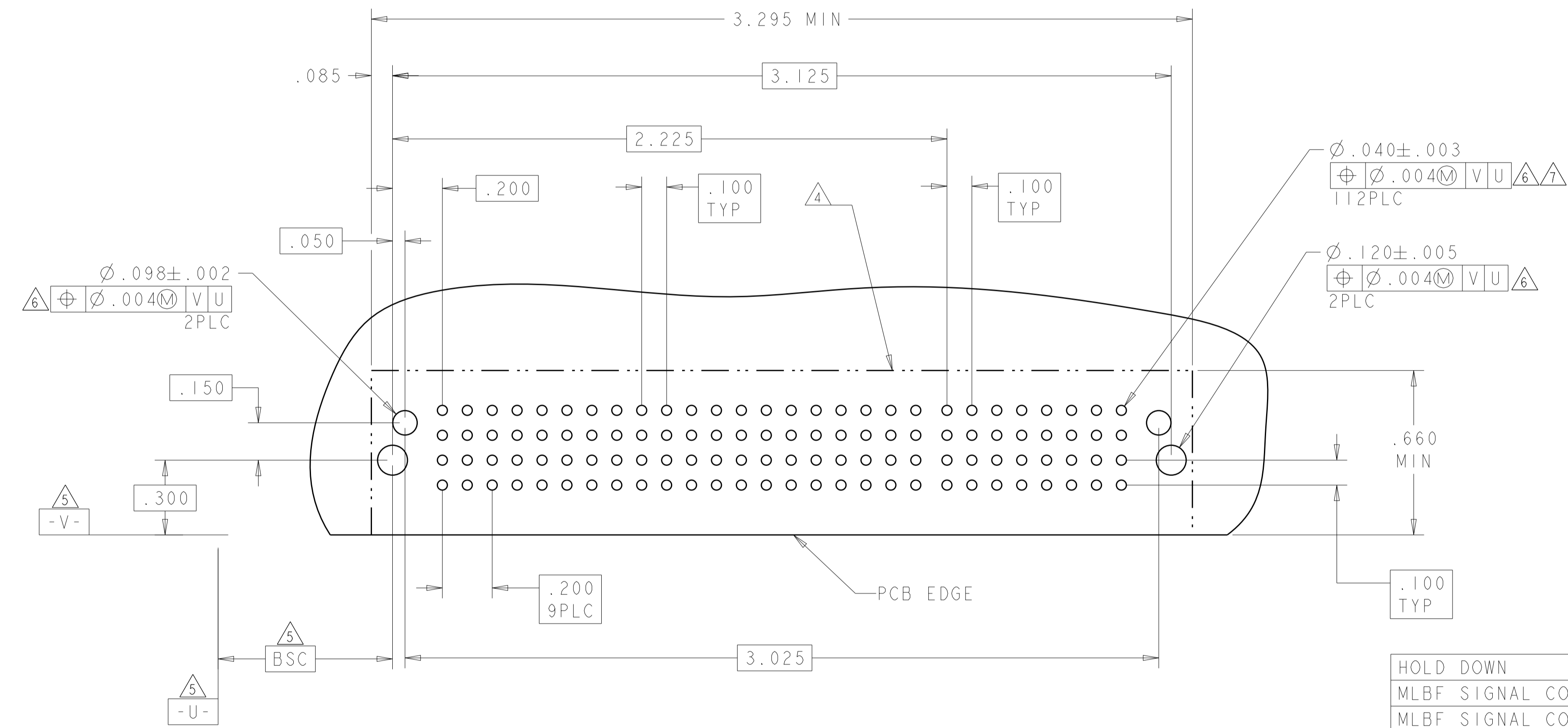


FOR P/N:6450832-8 AND 3-6450832-1, OTHER DIMENSIONS PLEASE SEE SHEET 1

THIS DRAWING IS A CONTROLLED DOCUMENT.		DMN H. LIU 27MAY2008	
		CHK S. ZHAO 27MAY2008	
DIMENSIONS:	TOLERANCES UNLESS OTHERWISE SPECIFIED:	APVD S. ZHAO	NAME R/A HEADER WITH SHORT GUIDES AND LP CONTACTS ASSEMBLY MULTI-BEAM XLE
INCHES	0 PLC ±. 2 PLC ±.01 3 PLC ±.005 4 PLC ±.0020	PRODUCT SPEC 108-2292	SIZE A100779
	ANGLES M7°	APPLICATION SPEC 114-13251	DRAWING NO C=6450832
MATERIAL	FINISH	WEIGHT	RESTRICTED TO
CUSTOMER DRAWING		SCALE 4:1	SHEET 3 OF 24
		REV K6	

LOC		DIST		REVISIONS			
P	LTN	DESCRIPTION	DATE	DMN	APVD		
-	-	SEE SHEET 1	-	-	-	-	-

PART NUMBER	ROWS	POWER										SIGNAL							
		P1	P2	P3	P4	P5	P6	P7	P8	P9	P10	1	2	3	4	5	6	7	8
6450832-1	D C B A	TM	TM	TM	TM	TM	TM	TM	TM	TM	TM	J	J	J	J	J	J	J	J
		TM	TM	TM	TM	TM	TM	TM	TM	TM	TM	K	K	K	K	K	K	K	K
		TM	TM	TM	TM	TM	TM	TM	TM	TM	TM	N	N	N	N	N	G	N	N
10HDP + 32S											S	S	S	S	S	S	S	S	



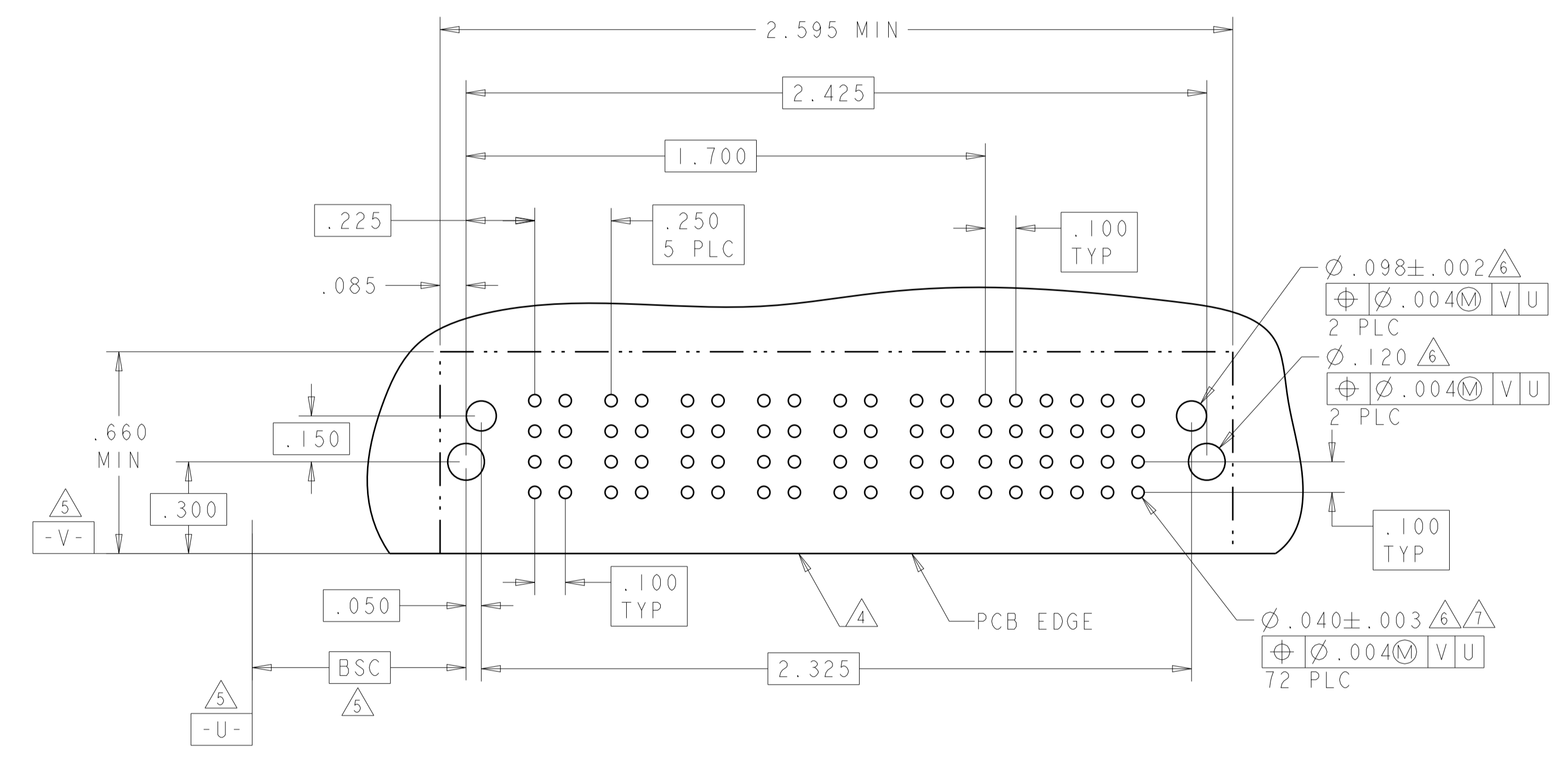
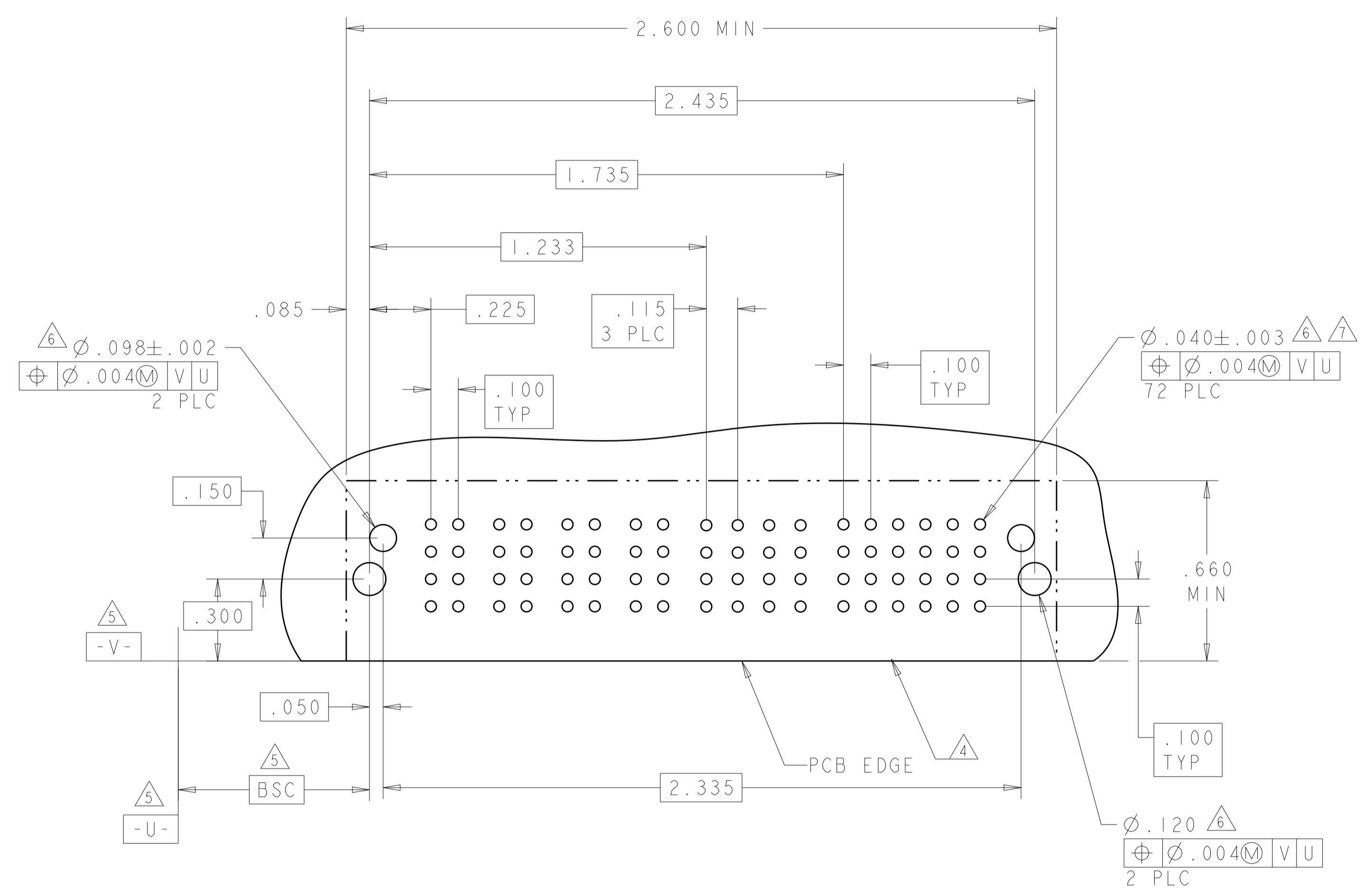
DESCRIPTION	IDENTIFIER
HOLD DOWN	HD
MLBF SIGNAL CONTACT, .135 TAIL LENGTH, ROW D	E
MLBF SIGNAL CONTACT, .135 TAIL LENGTH, ROW C	F
MLBF SIGNAL CONTACT, .135 TAIL LENGTH, ROW B	G
MLBF SIGNAL CONTACT, .135 TAIL LENGTH, ROW A	H
MFBL SIGNAL CONTACT, .135 TAIL LENGTH, ROW D	FJ
MFBL SIGNAL CONTACT, .135 TAIL LENGTH, ROW C	FK
MFBL SIGNAL CONTACT, .135 TAIL LENGTH, ROW B	FN
MFBL SIGNAL CONTACT, .135 TAIL LENGTH, ROW A	FS
STANDARD SIGNAL CONTACT, .135 TAIL LENGTH, ROW D	J
STANDARD SIGNAL CONTACT, .135 TAIL LENGTH, ROW C	K
STANDARD SIGNAL CONTACT, .135 TAIL LENGTH, ROW B	N
STANDARD SIGNAL CONTACT, .135 TAIL LENGTH, ROW A	S
MFBL LOWER POWER CONTACT, .135 TAIL LENGTH.	LMF
STD LOWER POWER CONTACT, .135 TAIL LENGTH	LM
3-BEAM POWER CONTACT, .135 TAIL LENGTH	TM

THIS DRAWING IS A CONTROLLED DOCUMENT.		DMN H. LIU CHK S. ZHAO	27MAY2008 27MAY2008	TE Connectivity
DIMENSIONS: INCHES		APVD S. ZHAO	NAME R/A HEADER WITH SHORT GUIDES AND LP CONTACTS ASSEMBLY MULTI-BEAM XLE	
TOLERANCES UNLESS OTHERWISE SPECIFIED:		PRODUCT SPEC	APPLICATION SPEC	RESTRICTED TO
0 PLC ±. 1 PLC ±.01 2 PLC ±.01 3 PLC ±.005 4 PLC ±.0020 ANGLES ±.020		108-2292	114-13251	
MATERIAL FINISH		WEIGHT	SIZE A100779	REV K6
CUSTOMER DRAWING		SCALE 4:1	SHEET 4 OF 24	

LOC	DIST	REVISIONS			
P	LTN	DESCRIPTION	DATE	DMN	APVD
-	-	SEE SHEET 1	-	-	-

PART NUMBER	ROWS	POWER								SIGNAL							
		P1	P2	P3	P4	P5	P6	P7	P8	1	2	3	4	5	6		
6450832-2	D	TM	TM	TM	TM	LM	LM	LM	LM	J	J	J	J	J	J		
	C	TM	TM	TM	TM	LM	LM	LM	LM	K	K	K	K	K	K		
	B	TM	TM	TM	TM	LM	LM	LM	LM	N	N	N	N	N	N		
	A	TM	TM	TM	TM	LM	LM	LM	LM	S	S	S	S	S	S		
		HD															HD
		4P + 4LP + 24S															

PART NUMBER	ROWS	POWER						SIGNAL							
		P1	P2	P3	P4	P5	P6	1	2	3	4	5	6		
6450832-3	D	TM	TM	TM	TM	TM	TM	J	J	J	J	J	J		
	C	TM	TM	TM	TM	TM	TM	K	K	K	K	K	K		
	B	TM	TM	TM	TM	TM	TM	N	N	N	N	N	N		
	A	TM	TM	TM	TM	TM	TM	S	S	S	S	S	S		
		HD													HD
		6P + 24S													



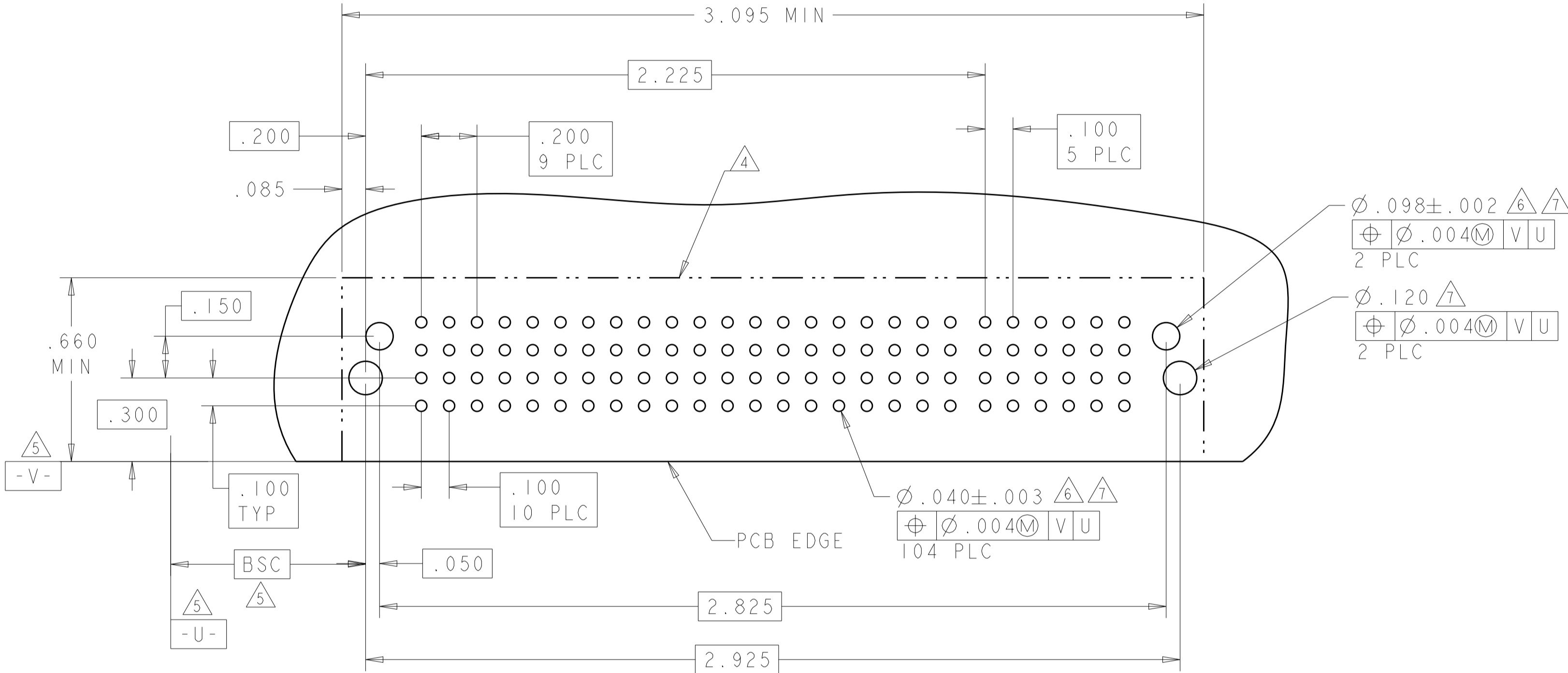
THIS DRAWING IS A CONTROLLED DOCUMENT.		DMN: H.LIU 27MAY2008	<b>STE</b> TE Connectivity
DIMENSIONS: INCHES		CHK: S.ZHAO 27MAY2008	
TOLERANCES UNLESS OTHERWISE SPECIFIED:		APVD: S.ZHAO	NAME: R/A HEADER WITH SHORT GUIDES AND LP CONTACTS ASSEMBLY MULTI-BEAM XLE
0 PLC ±.01		PRODUCT SPEC: 108-2292	SIZE: A1
1 PLC ±.01		APPLICATION SPEC: 114-13251	CAGE CODE: C=6450832
2 PLC ±.01		WEIGHT: -	SCALE: 4:1
3 PLC ±.005		CUSTOMER DRAWING	SHEET 5 OF 24
4 PLC ±.0020			REV: K6
ANGLES: ±2°			
FINISH: -			

LOC	DIST	REVISIONS			
P	LTM	DESCRIPTION	DATE	OWN	APVD
-	-	SEE SHEET 1	-	-	-

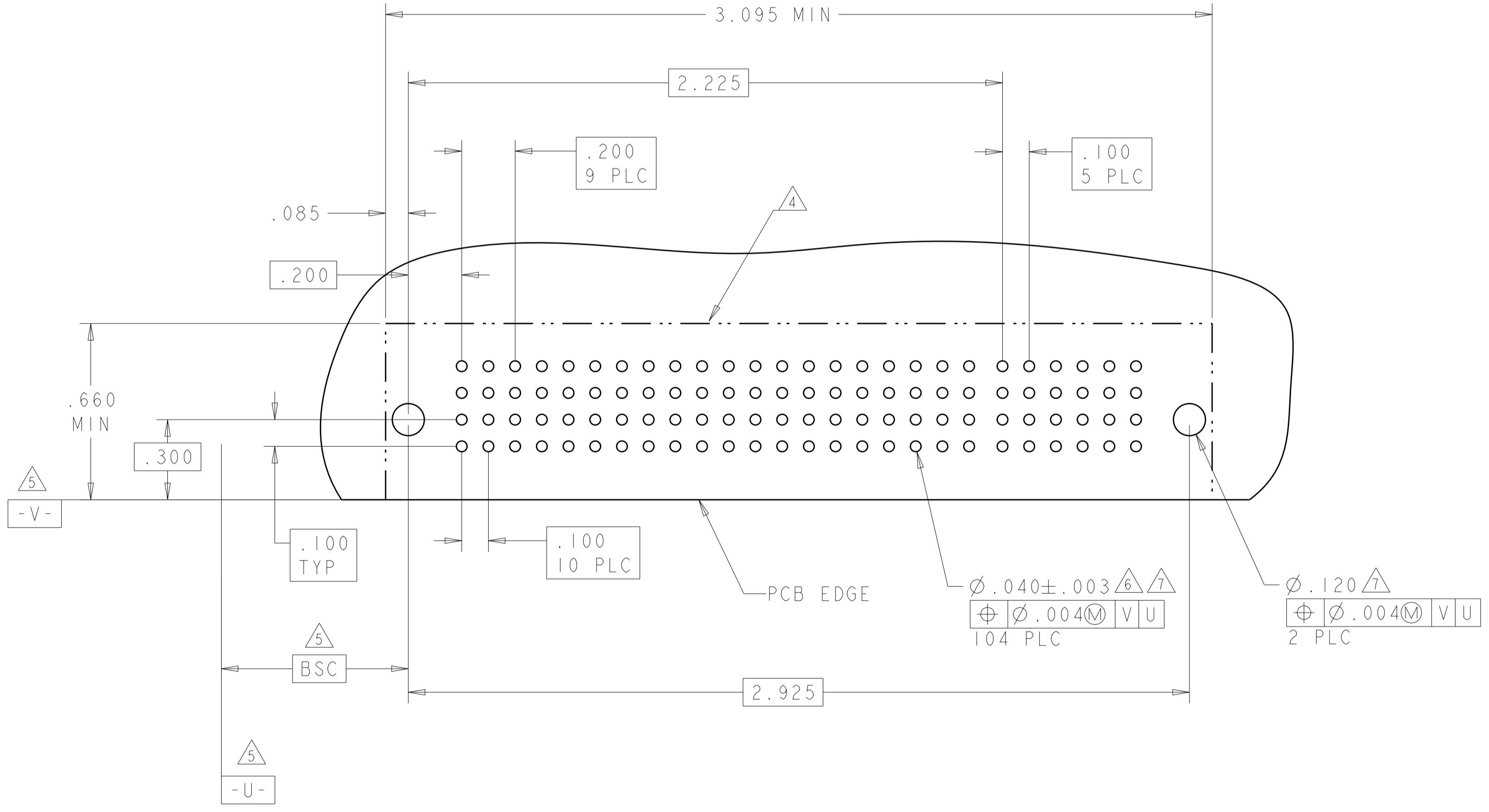
PART NUMBER	ROWS	POWER										SIGNAL					
		P1	P2	P3	P4	P5	P6	P7	P8	P9	P10	1	2	3	4	5	6
6450832-4	D C B A	TM	TM	TM	TM	TM	TM	TM	TM	TM	TM	J	J	J	J	J	J
		TM	TM	TM	TM	TM	TM	TM	TM	TM	TM	K	K	K	K	K	K
		TM	TM	TM	TM	TM	TM	TM	TM	TM	TM	N	N	N	N	N	N
10HDP + 24S											H	S	S	S	S	S	

PART NUMBER	ROWS	POWER										SIGNAL					
		P1	P2	P3	P4	P5	P6	P7	P8	P9	P10	1	2	3	4	5	6
6450832-5	D C B A	TM	TM	TM	TM	TM	TM	TM	TM	TM	TM	J	J	J	J	J	J
		TM	TM	TM	TM	TM	TM	TM	TM	TM	TM	K	K	K	K	K	K
		TM	TM	TM	TM	TM	TM	TM	TM	TM	TM	N	N	N	N	N	N
10HDP + 24S											H	S	S	S	S	S	

PART NUMBER	ROWS	POWER										SIGNAL					
		P1	P2	P3	P4	P5	P6	P7	P8	P9	P10	1	2	3	4	5	6
2-6450832-7	D C B A	TM	TM	TM	TM	TM	TM	TM	TM	TM	TM	J	J	J	J	J	J
		TM	TM	TM	TM	TM	TM	TM	TM	TM	TM	K	K	K	K	K	K
		TM	TM	TM	TM	TM	TM	TM	TM	TM	TM	N	N	N	N	N	N
10HDP + 24S											H	S	S	S	S	S	



$\varnothing .098 \pm .002$  6 7  
 $\oplus \varnothing .004$  M V U  
 2 PLC  
 $\varnothing .120$  7  
 $\oplus \varnothing .004$  M V U  
 2 PLC



$\varnothing .040 \pm .003$  6 7  
 $\oplus \varnothing .004$  M V U  
 104 PLC  
 $\varnothing .120$  7  
 $\oplus \varnothing .004$  M V U  
 2 PLC

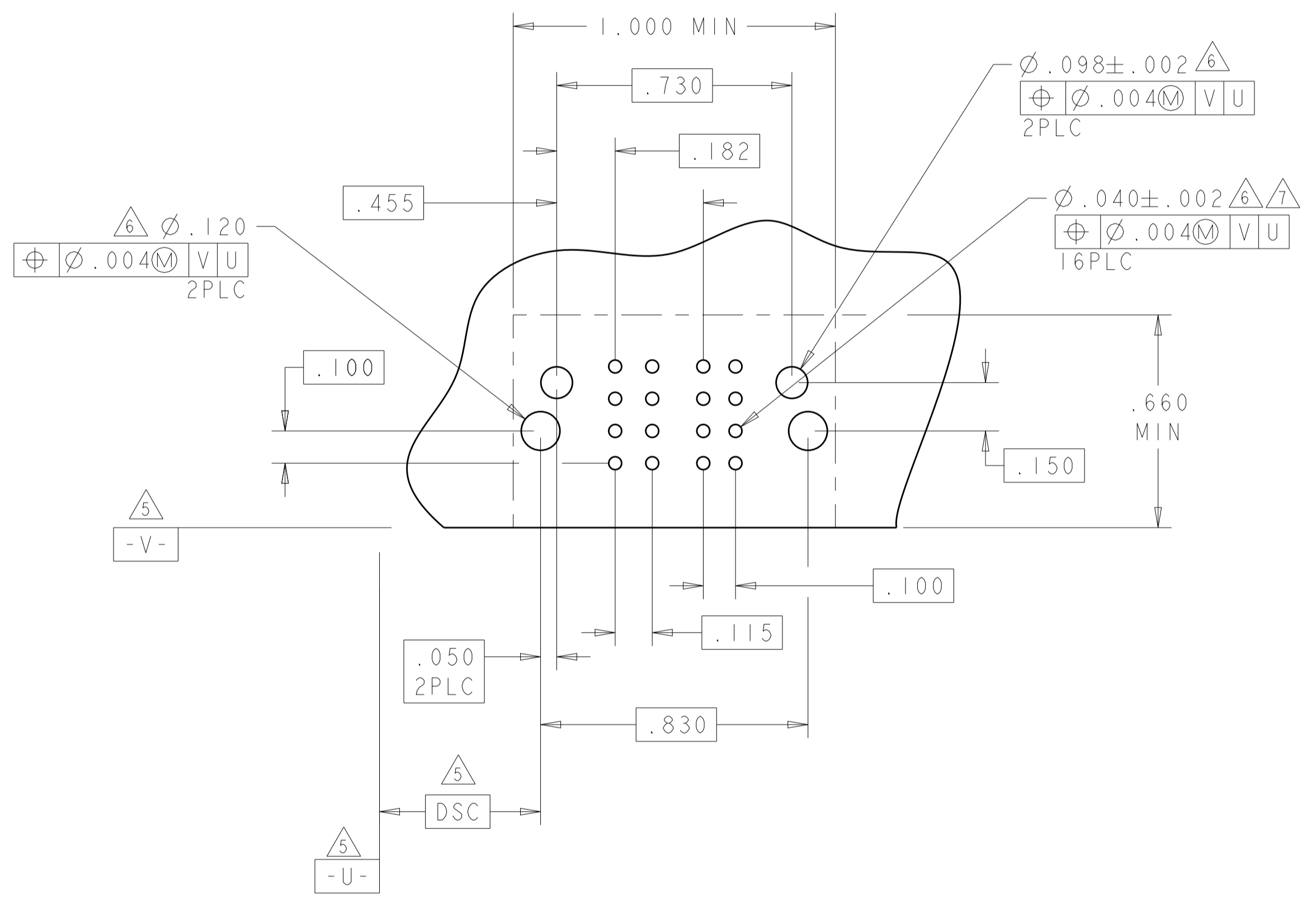
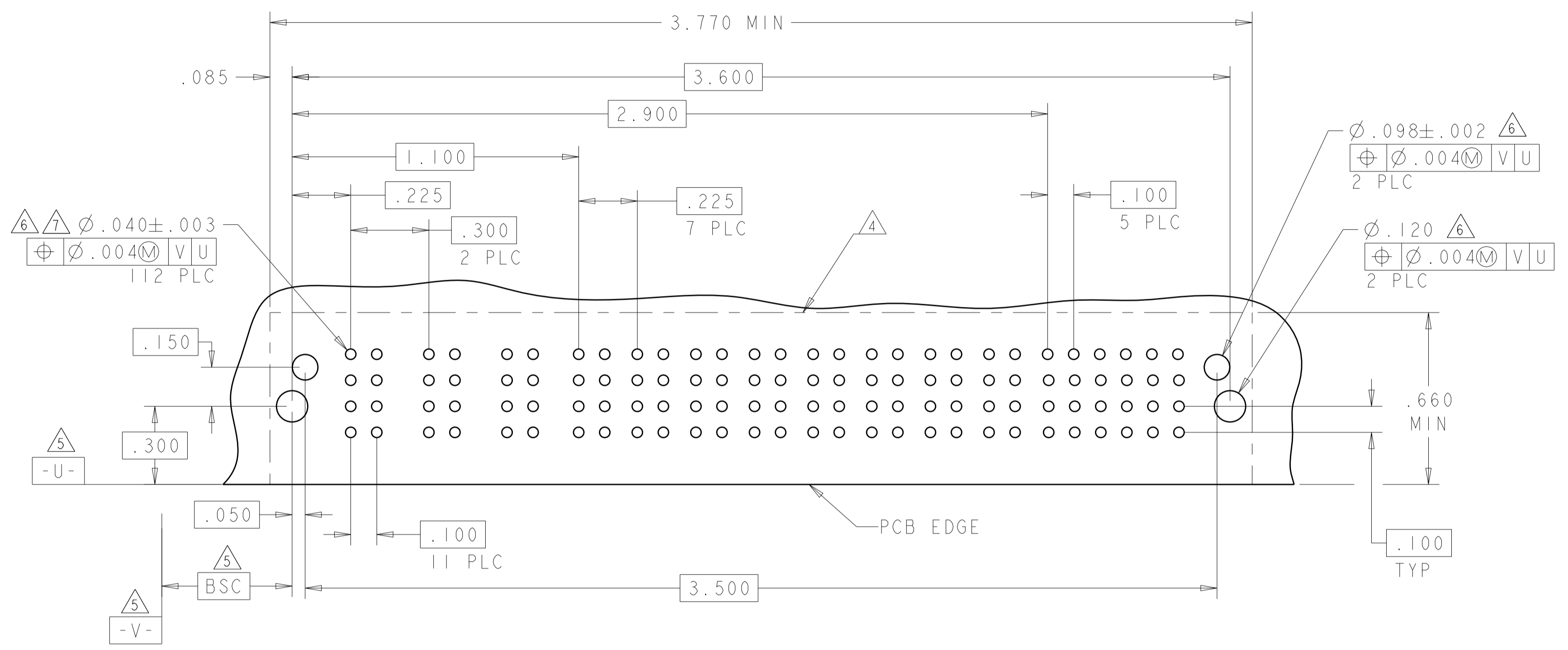
PCB LAYOUT FOR P/N: 6450832-5 AND 2-6450832-7

THIS DRAWING IS A CONTROLLED DOCUMENT.		OWN: H. LIU 27MAY2008	TE Connectivity
DIMENSIONS: INCHES		CHK: S. ZHAO 27MAY2008	
TOLERANCES UNLESS OTHERWISE SPECIFIED:		APVD: S. ZHAO	NAME: R/A HEADER WITH SHORT GUIDES AND LP CONTACTS ASSEMBLY
0 PLC ± .01		PRODUCT SPEC: 108-2292	APPLICATION SPEC: MULTI-BEAM XLE
1 PLC ± .01		APPLIC: 114-13251	SIZE: A1
2 PLC ± .01		WEIGHT: -	CAGE CODE: 6450832
3 PLC ± .005		CUSTOMER DRAWING	SCALE: 4:1 SHEET 6 OF 24 REV: K6
4 PLC ± .002			
ANGLES ± .002			
FINISH: -			

LOC		DIST		REVISIONS		
P	LTM	DESCRIPTION	DATE	OWN	APVD	
		SEE SHEET 1				

PART NUMBER	ROWS	POWER											SIGNAL					
		P1	P2	P3	P4	P5	P6	P7	P8	P9	P10	P11	1	2	3	4	5	6
6450832-7	D C B A	TM	TM	TM	TM	TM	TM	TM	TM	TM	TM	TM	E	E	J	J	E	E
		TM	TM	TM	TM	TM	TM	TM	TM	TM	TM	TM	K	F	K	K	K	K
		TM	TM	TM	TM	TM	TM	TM	TM	TM	TM	TM	N	G	G	G	G	G
		HD											S	S	S	S	S	S

PART NUMBER	ROWS	POWER		SIGNAL	
		P1	P2	1	2
6450832-8	D C B A	LMF	LM	E	E
				F	F
				G	G
		HD		HD	
		2LP + 8S			



THIS DRAWING IS A CONTROLLED DOCUMENT.		OWN: H.LIU	27MAY2008	<b>STE</b> TE Connectivity	
DIMENSIONS:		CHK: S.ZHAO	27MAY2008	NAME: R/A HEADER WITH SHORT GUIDES AND LP CONTACTS ASSEMBLY	
INCHES		APVD: S.ZHAO	-	PRODUCT SPEC: 108-2292	
TOLERANCES UNLESS OTHERWISE SPECIFIED:		APPLY: S.ZHAO		APPLICATION SPEC: 114-13251	
0 PLC	±	SIZE: 114-13251		RESTRICTED TO	
2 PLC	±.01	WEIGHT: -		A100779C=6450832	
3 PLC	±.01	MATERIAL: -		SCALE: 4:1	
4 PLC	±.005	FINISH: -		SHEET 7 OF 24	
5 PLC	±.0020	CUSTOMER DRAWING		REV: K6	
ANGLES	±.020				

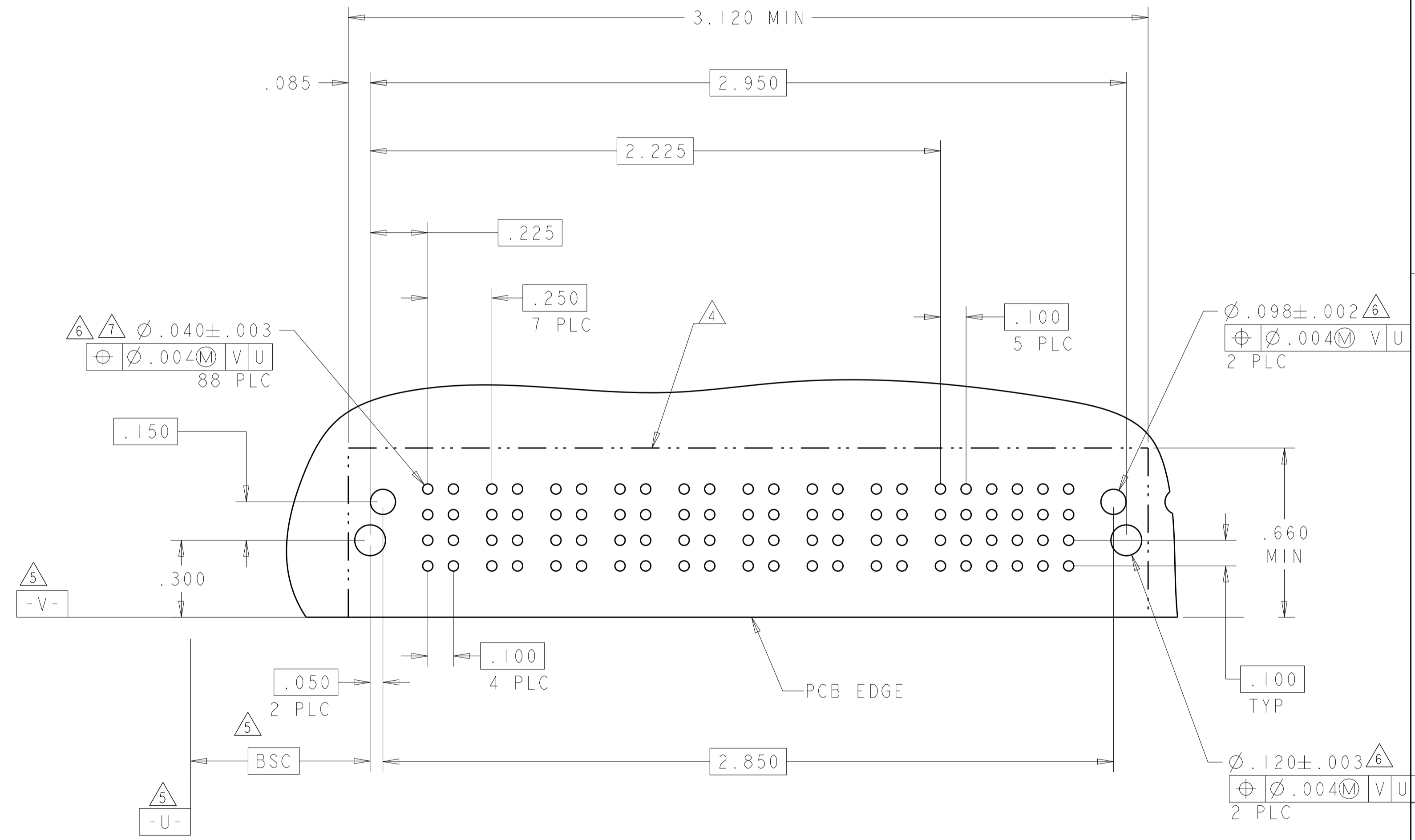
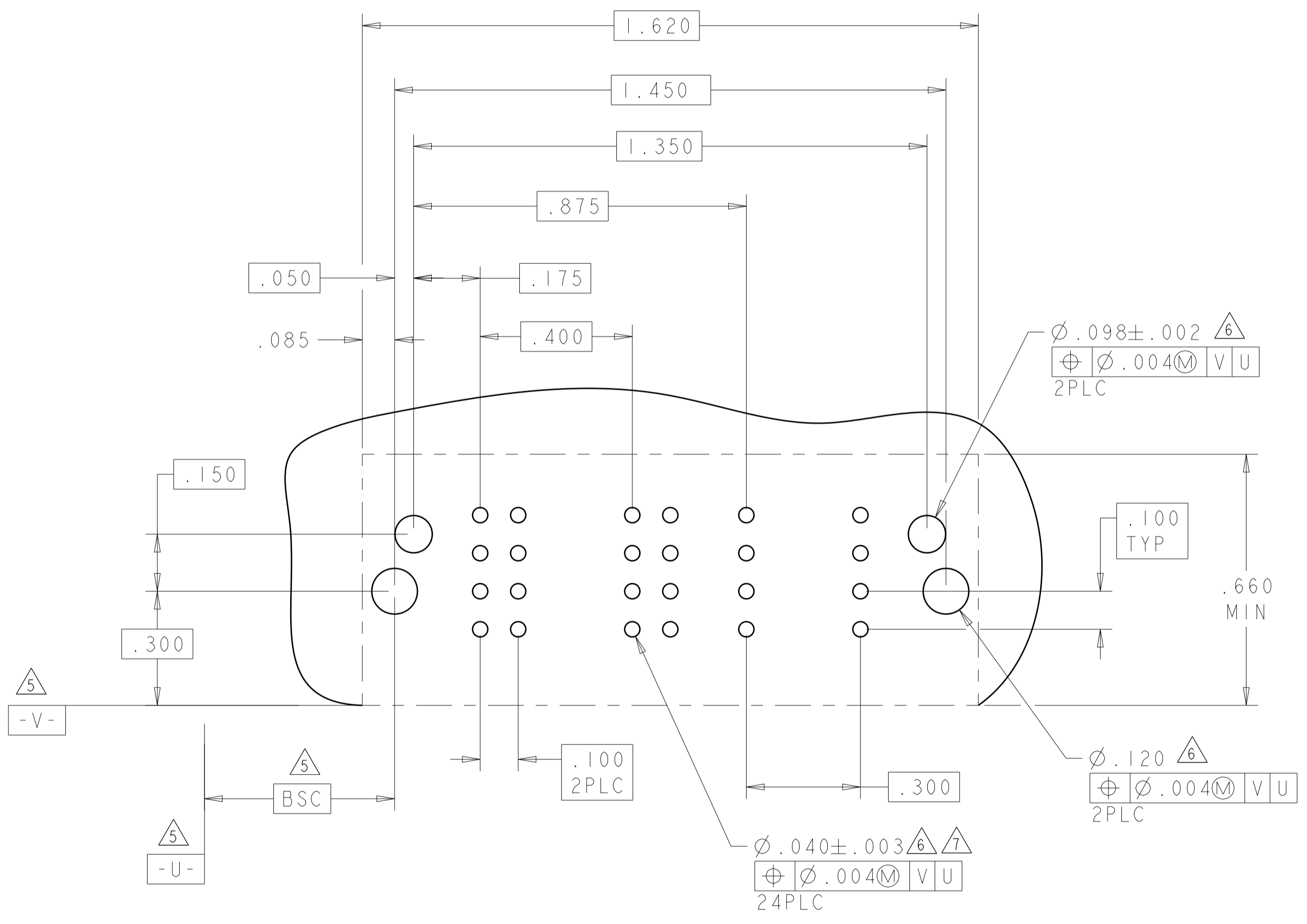
LOC	DIST	REVISIONS			
P	LTN	DESCRIPTION	DATE	DMN	APVD
-	-	SEE SHEET 1	-	-	-

PART NUMBER	ROWS	POWER			SIGNAL			
		P1	P2	P3	1	2	3	4
6450832-9	D C B A	TM	TM	TM	J			J
					K			K
					N			N
					S			S

PART NUMBER	ROWS	POWER								SIGNAL					
		P1	P2	P3	P4	P5	P6	P7	P8	1	2	3	4	5	6
3-6450832-4	D C B A	TM	TM	TM	TM	TM	TM	TM	TM	J	J	J	J	J	J
										K	K	K	K	K	K
										N	N	N	N	N	N
										S	S	S	S	S	S

2P + 8S  
 .400  
 NO LOADING CONTACTS

H9



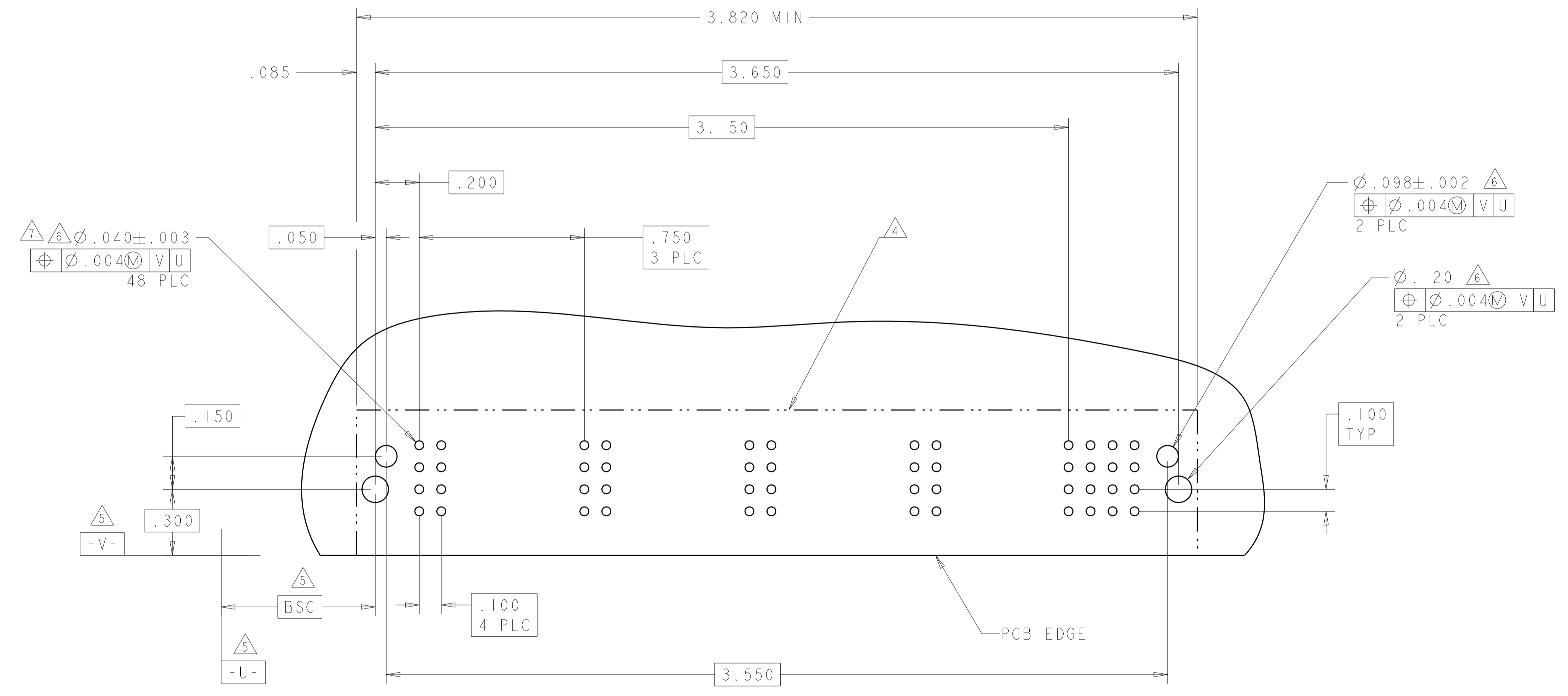
THIS DRAWING IS A CONTROLLED DOCUMENT.		DMN: H.LIU 27MAY2008	TE Connectivity
DIMENSIONS: INCHES		CHK: S.ZHAO 27MAY2008	
TOLERANCES UNLESS OTHERWISE SPECIFIED:		APVD: S.ZHAO	NAME: R/A HEADER WITH SHORT GUIDES AND LP CONTACTS ASSEMBLY MULTI-BEAM XLE
0 PLC ±.01	1 PLC ±.01	PRODUCT SPEC: 108-2292	SIZE: A100779
2 PLC ±.01	3 PLC ±.005	APPLICATION SPEC: 114-13251	CAGE CODE: C=6450832
4 PLC ±.0020	ANGLES ±.020	WEIGHT: -	SCALE: 4:1
MATERIAL FINISH		CUSTOMER DRAWING	SHEET 8 OF 24



LOC	DIST	REVISIONS			
P	LTN	DESCRIPTION	DATE	DWN	APVD
-	-	SEE SHEET 1	-	-	-

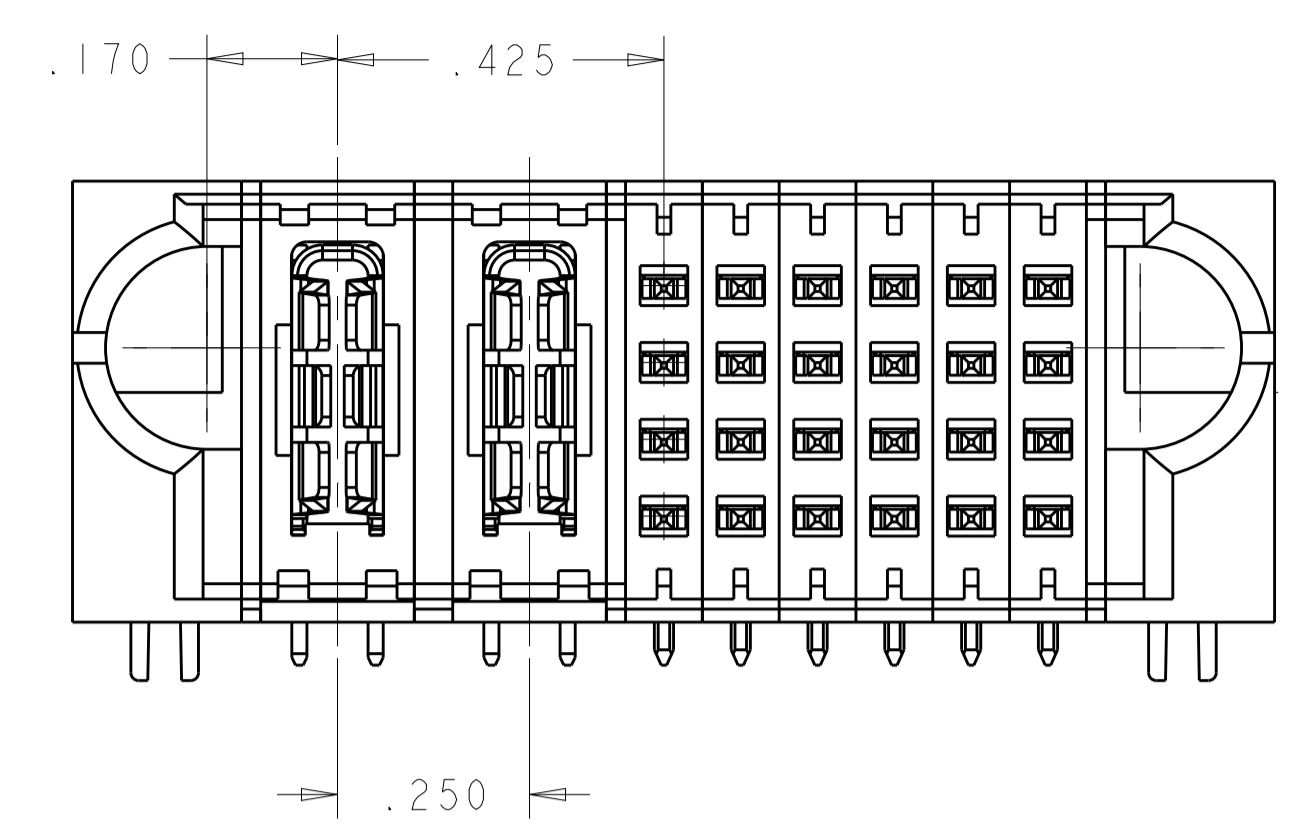
PART NUMBER	ROWS	POWER												SIGNAL			
		P1	P2	P3	P4	P5	P6	P7	P8	P9	P10	P11	P12	1	2	3	4
1-6450832-0	D	TM			TM			TM				TM		J	J	J	J
	C													K	K	K	K
	B													N	N	N	N
A														S	S	S	S
12P + 16S																	

NO CONTACT LOADED



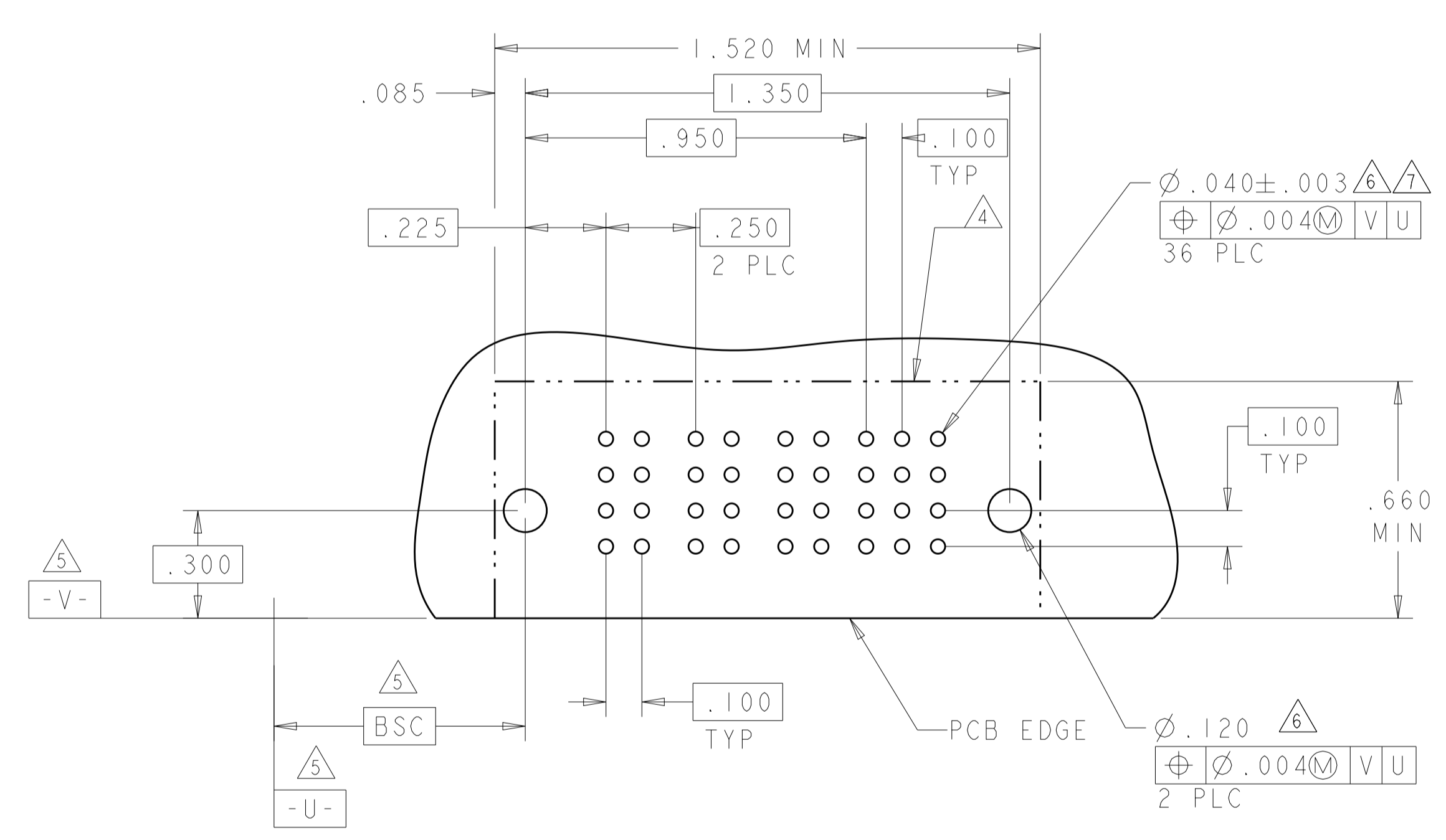
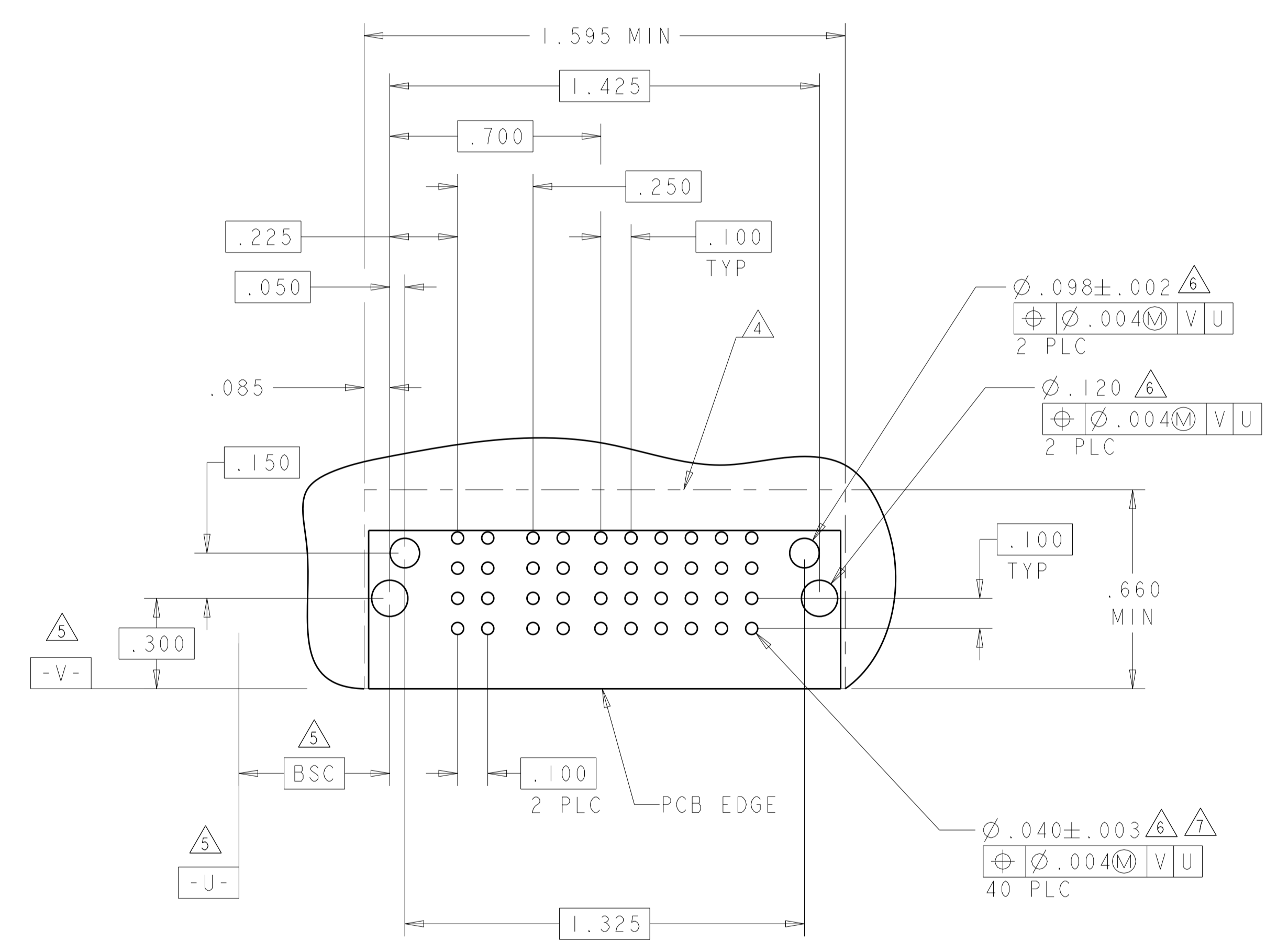
THIS DRAWING IS A CONTROLLED DOCUMENT.		DWN: H.LIU 27MAY2008	TE Connectivity
DIMENSIONS: INCHES		CHK: S.ZHAO 27MAY2008	
		APVD: S.ZHAO	NAME: R/A HEADER WITH SHORT GUIDES AND LP CONTACTS ASSEMBLY
TOLERANCES UNLESS OTHERWISE SPECIFIED:		PRODUCT SPEC: 108-2292	APPLICATION SPEC: MULTI-BEAM XLE
0 PLC ± 2 PLC ±.01 3 PLC ±.005 4 PLC ±.0020 ANGLES ±.2°		SIZE: 114-13251	RESTRICTED TO: -
MATERIAL: FINISH:		WEIGHT: -	SCALE: 4:1
CUSTOMER DRAWING		SIZE: A100779C=6450832	SHEET 9 OF 24
		REV: K6	

PART NUMBER	ROWS	POWER		SIGNAL						
		P1	P2	1	2	3	4	5	6	
		TM	TM	J	J	J	J	J	J	J
I-6450832-2	D C B A			K	K	K	K	K	K	
		HD		N	N	N	N	N	N	
				H	S	S	S	S	S	
2P + 24S										



PART VIEW I-6450832-2

PART NUMBER	ROWS	POWER			SIGNAL		
		P1	P2	P3	1	2	3
		TM	TM	TM	J	J	J
I-6450832-4	D C B A				F	K	
					G	N	
					S	S	
3P + 12S							



THIS DRAWING IS A CONTROLLED DOCUMENT. DWN: H.LIU 27MAY2008  
 CHK: S.ZHAO 27MAY2008  
 APVD: S.ZHAO

**STE** TE Connectivity

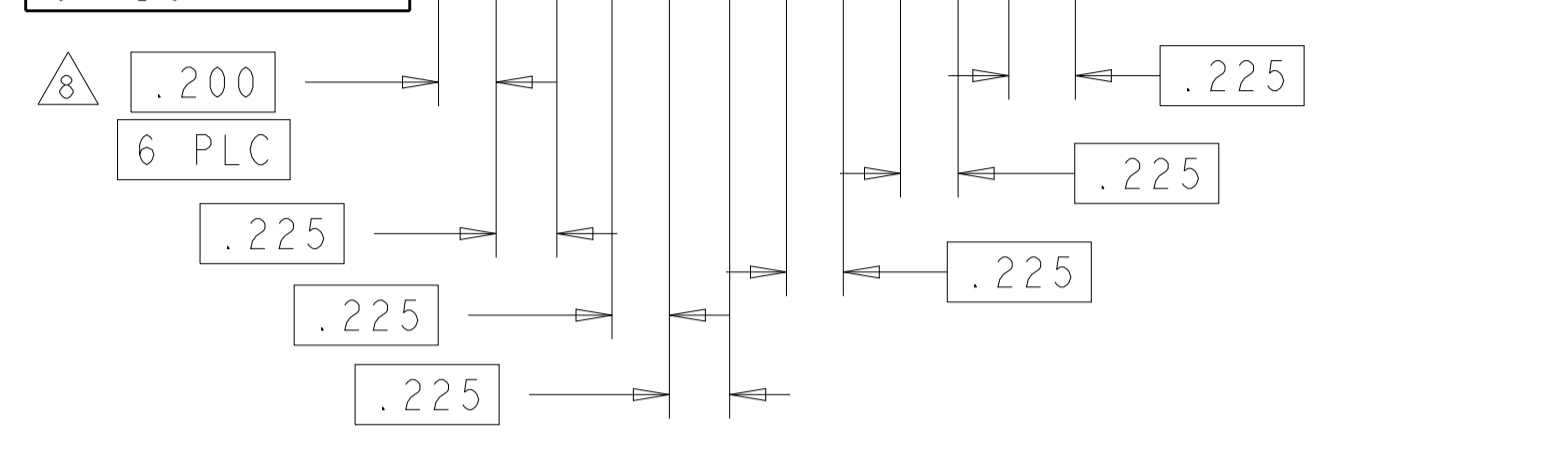
NAME: R/A HEADER WITH SHORT GUIDES AND LP CONTACTS ASSEMBLY  
 PRODUCT SPEC: 108-2292  
 APPLICATION SPEC: 114-13251  
 SIZE: CAGE CODE: DRAWING NO: A100779 ©=6450832  
 CUSTOMER DRAWING

MATERIAL: FINISH: WEIGHT: SCALE: 4:1 SHEET 10 OF 24 REV: K6

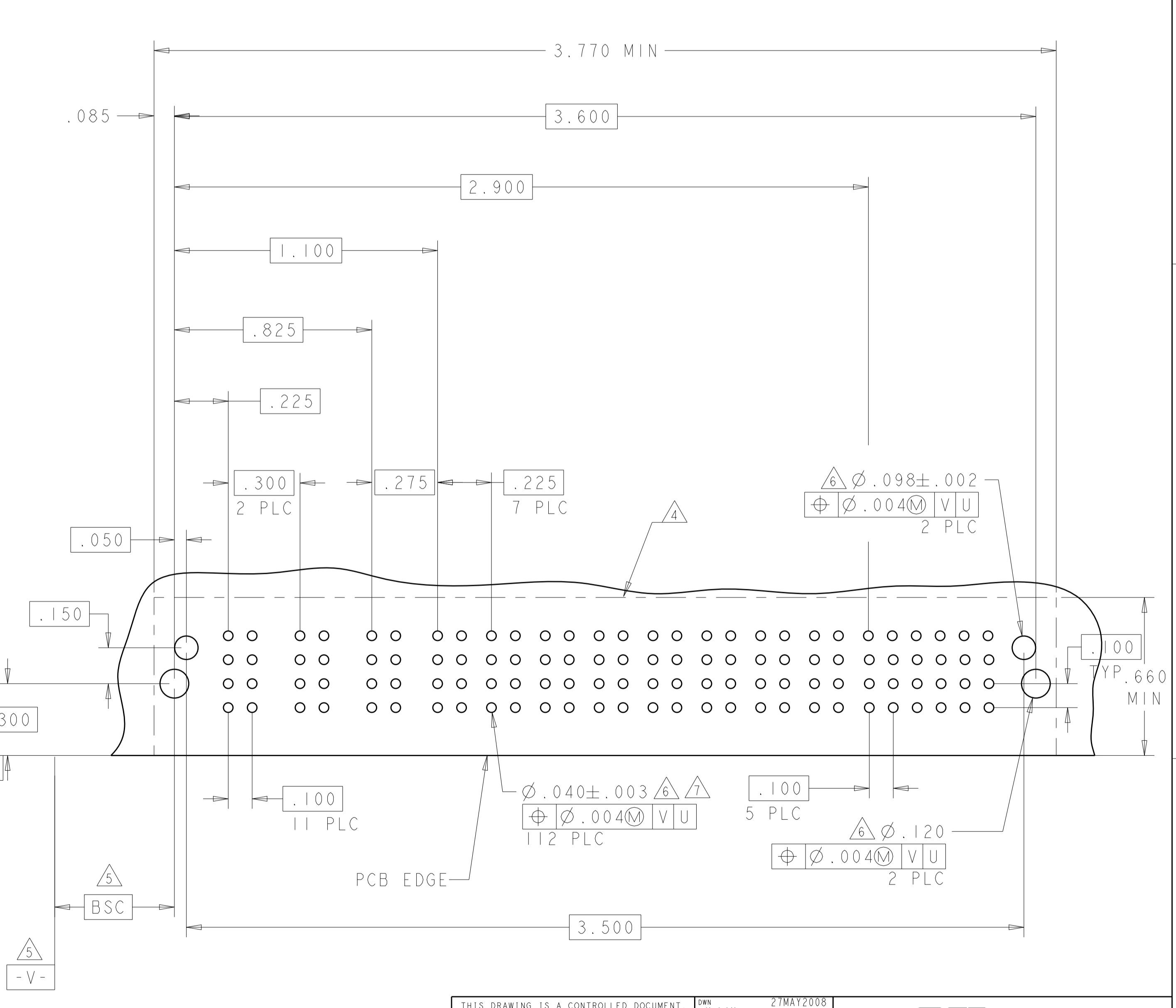
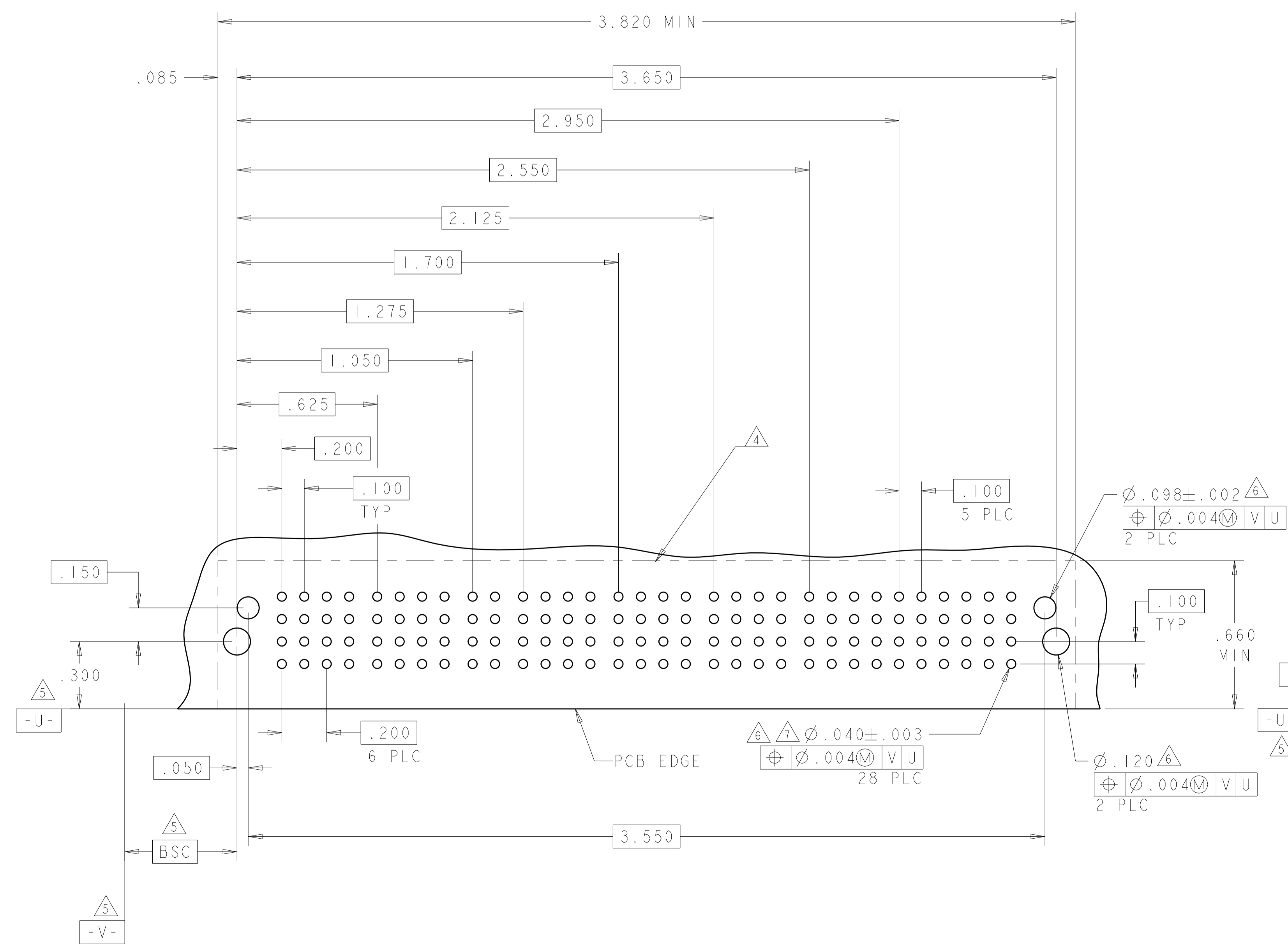
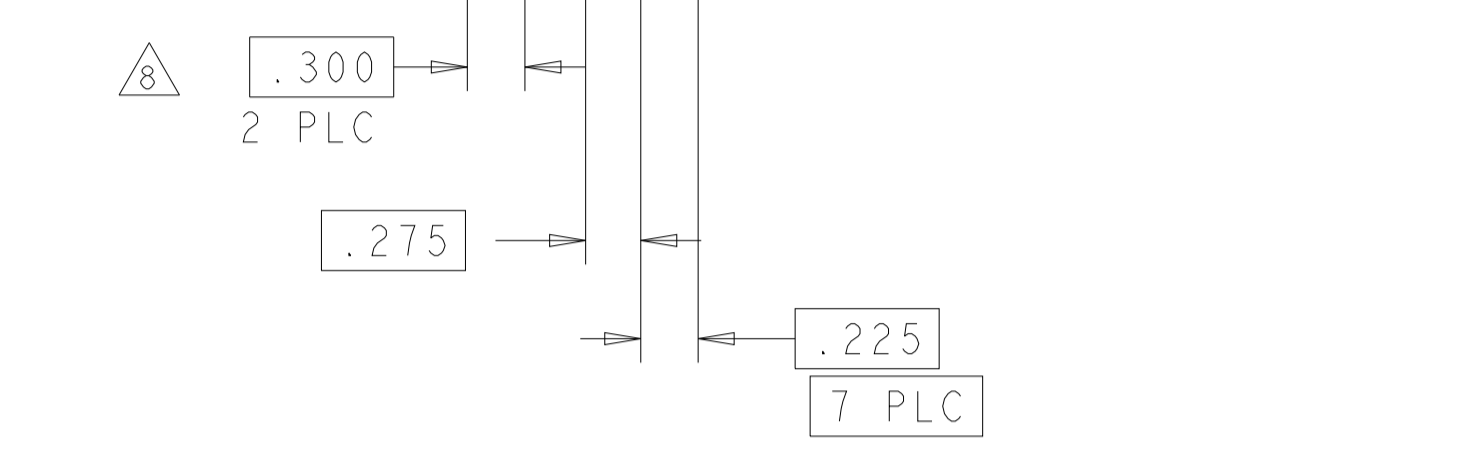
TOLERANCES UNLESS OTHERWISE SPECIFIED:  
 DIMENSIONS INCHES:  
 0 PLC ± .0005  
 2 PLC ± .01  
 3 PLC ± .01  
 4 PLC ± .005  
 ANGLES ± .0020

LOC	DIST	REVISIONS			
P	LTN	DESCRIPTION	DATE	DMN	APVD
-	-	SEE SHEET 1	-	-	-

PART NUMBER	ROWS	POWER											SIGNAL						
		P1	P2	P3	P4	P5	P6	P7	P8	P9	P10	P11	P12	P13	1	2	3	4	5
1-6450832-6	D C B A	TM	TM	TM	TM	TM	TM	TM	TM	TM	TM	TM	TM	E	E	J	J	E	E
													K	F	K	K	K	K	
													N	G	N	G	G	G	
													S	S	S	S	S	S	



PART NUMBER	ROWS	POWER											SIGNAL					
		P1	P2	P3	P4	P5	P6	P7	P8	P9	P10	P11	1	2	3	4	5	6
1-6450832-7	D C B A	TM	TM	TM	TM	TM	TM	TM	TM	TM	TM	TM	E	E	J	J	E	E
												K	F	K	K	K	K	
												N	G	N	G	G	G	
												S	S	S	S	S	S	

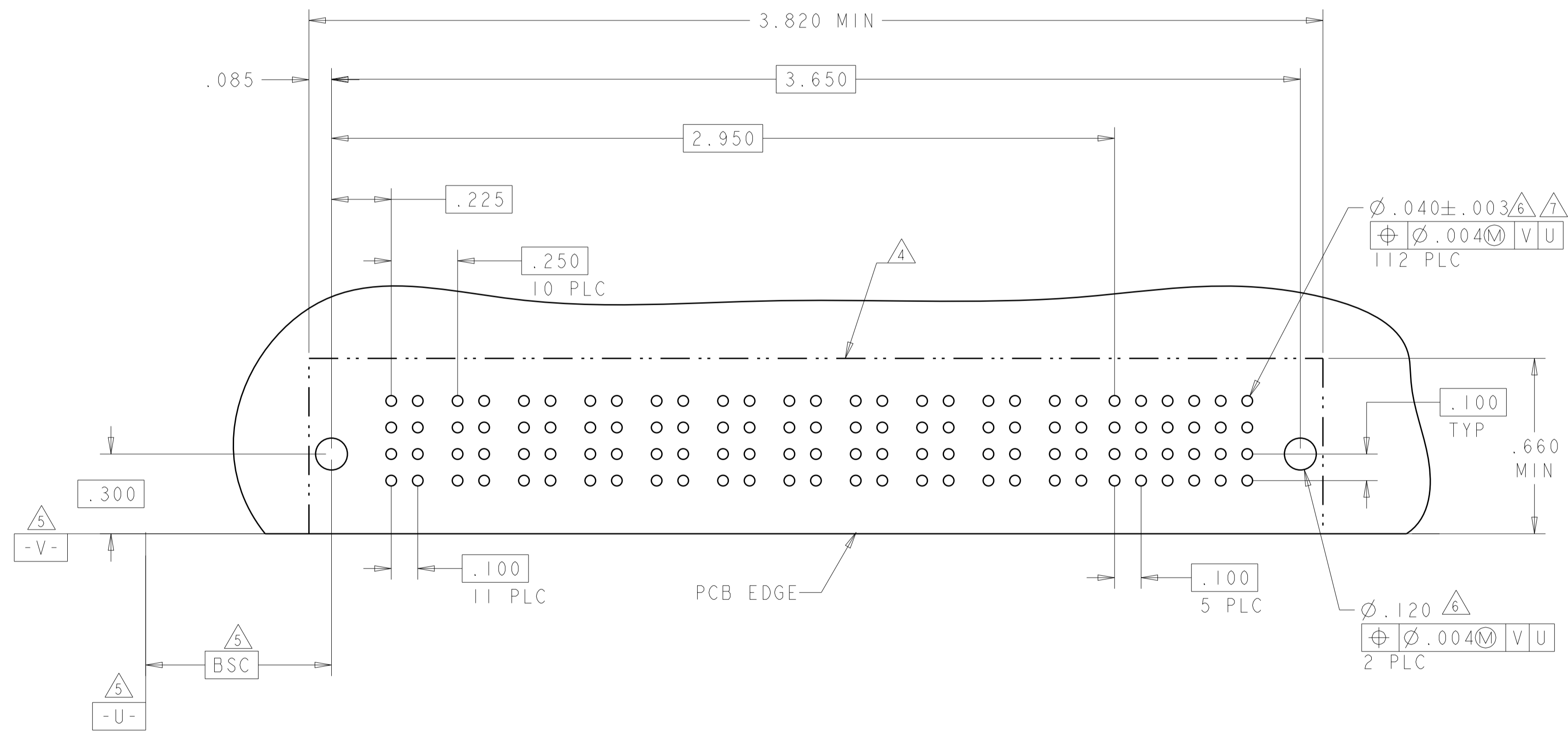


THIS DRAWING IS A CONTROLLED DOCUMENT.

DIMENSIONS:	TOLERANCES UNLESS OTHERWISE SPECIFIED:	DMN	H. LIU	27MAY2008
INCHES	0 PLC ±.010	CHK	S. ZHAO	27MAY2008
	1 PLC ±.010	APVD	S. ZHAO	-
	2 PLC ±.010	NAME	R/A HEADER WITH SHORT GUIDES AND LP CONTACTS ASSEMBLY	
	3 PLC ±.010	PRODUCT SPEC	108-2292	
	4 PLC ±.005	APPLICATION SPEC	114-13251	
	ANGLES ±.0020	SIZE	CAGE CODE	DRAWING NO
MATERIAL	FINISH	WEIGHT	A100779	6450832
CUSTOMER DRAWING		SCALE	4:1	SHEET 11 OF 24

RESTRICTED TO REV K6

PART NUMBER	ROWS	POWER										SIGNAL					
		P1	P2	P3	P4	P5	P6	P7	P8	P9	P10	P11	1	2	3	4	5
1-6450832-9	D											J	E	J	J	J	E
	C											K	K	F	F	K	F
	B	TM	TM	TM	TM	TM	TM	TM	TM	TM	TM	G	N	G	G	N	G
	A											S	S	S	S	H	H
11P + 24S																	

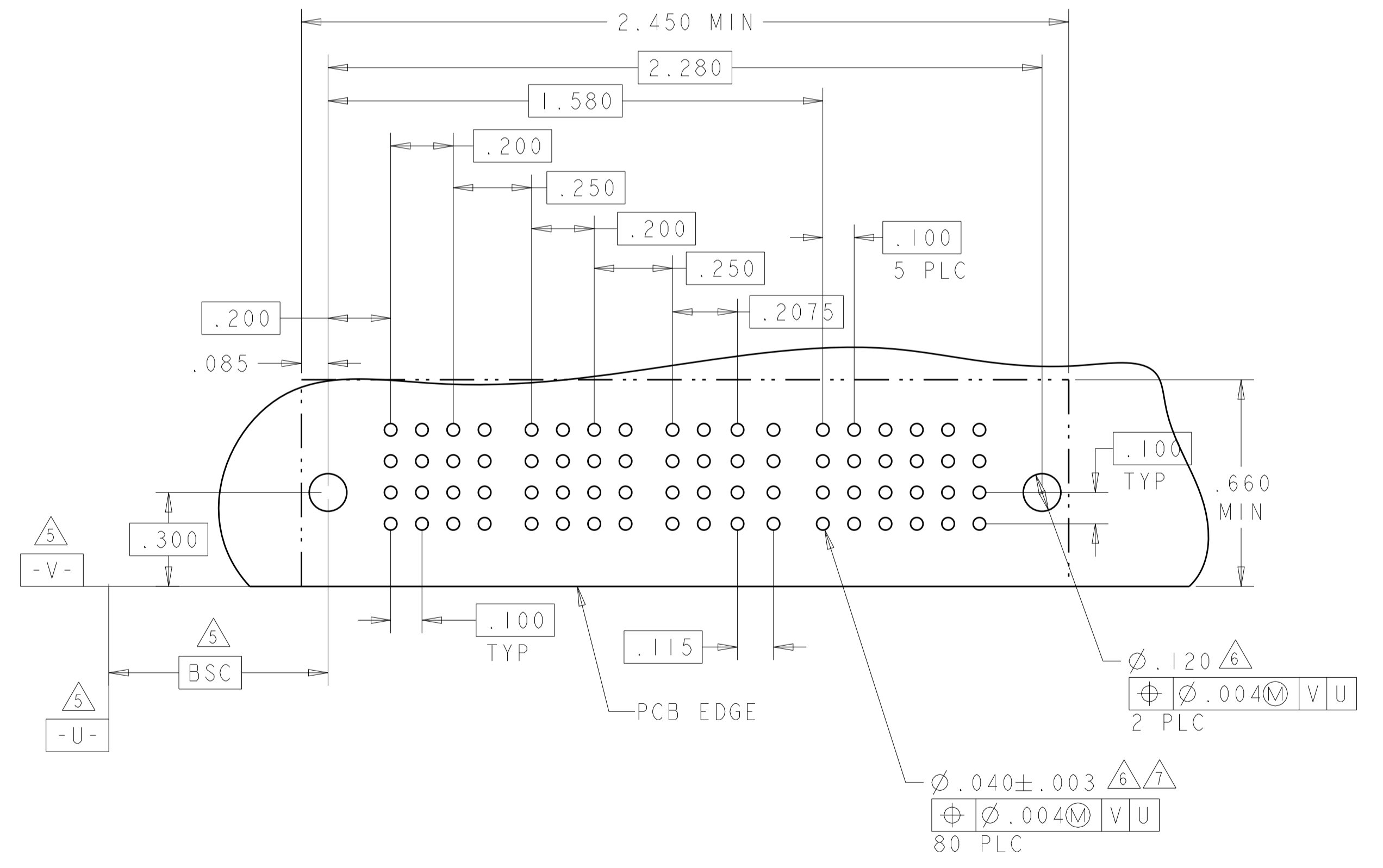


LOC	DIST	REV	DESCRIPTION	DATE	OWN	APVD
			SEE SHEET 1			

PART NUMBER	ROWS	POWER						SIGNAL						
		P1	P2	P3	P4	P5	LP1	LP2	1	2	3	4	5	6
2-6450832-0	D								J	F	J	J	J	J
	C								K	F	K	K	F	F
	B	TM	TM	TM	TM	TM	LM	LMF	N	F	N	N	F	N
	A								S	F	S	H	H	H
5P + 2LP + 24S														

(62)

PART NUMBER	ROWS	POWER						SIGNAL						
		P1	P2	P3	P4	P5	LP1	LP2	1	2	3	4	5	6
2-6450832-5	D								J	F	J	J	J	J
	C								K	F	K	K	F	F
	B	TM	TM	TM	TM	TM	LMF	LMF	N	F	N	N	F	N
	A								S	F	S	H	H	H
5P + 2LP + 24S														



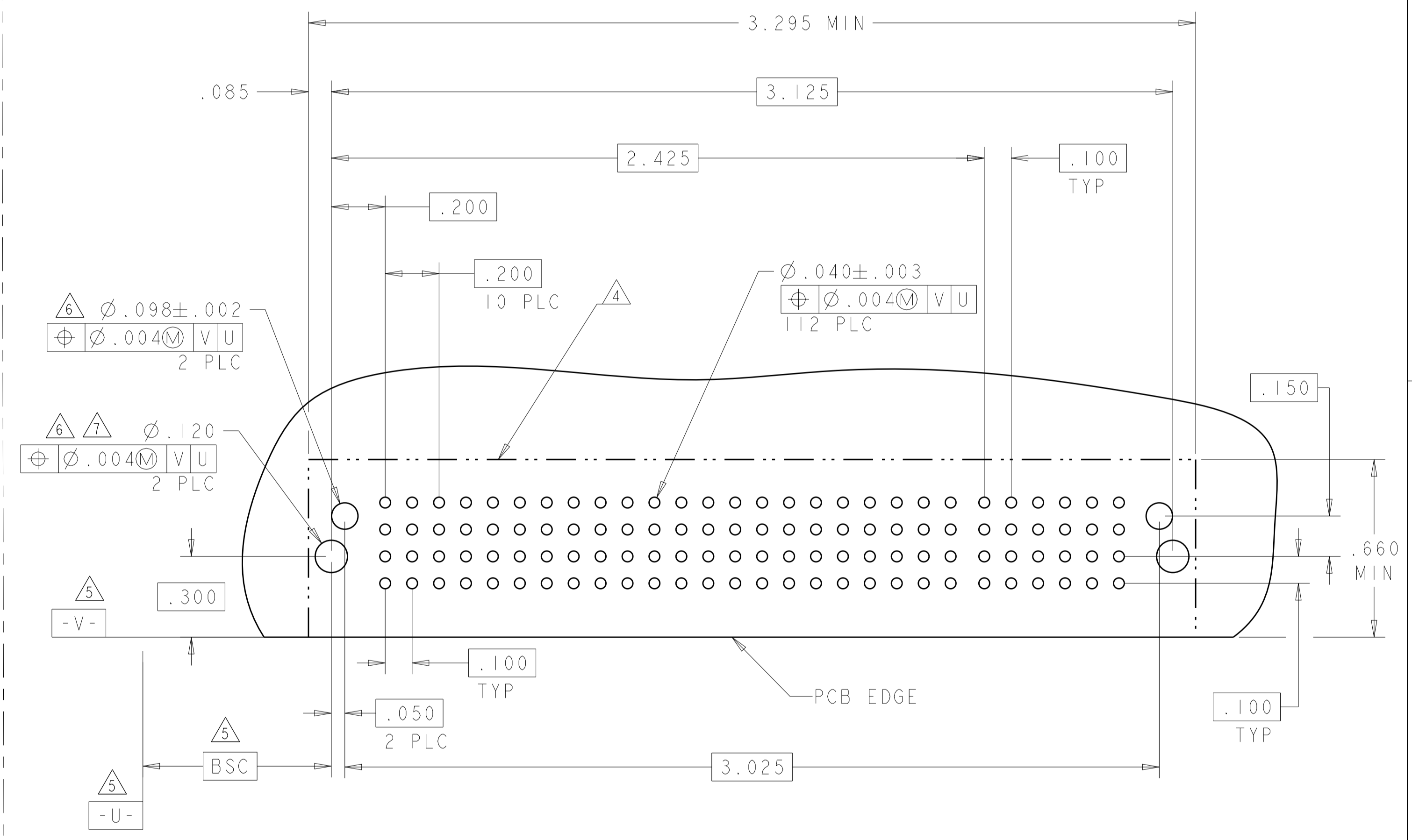
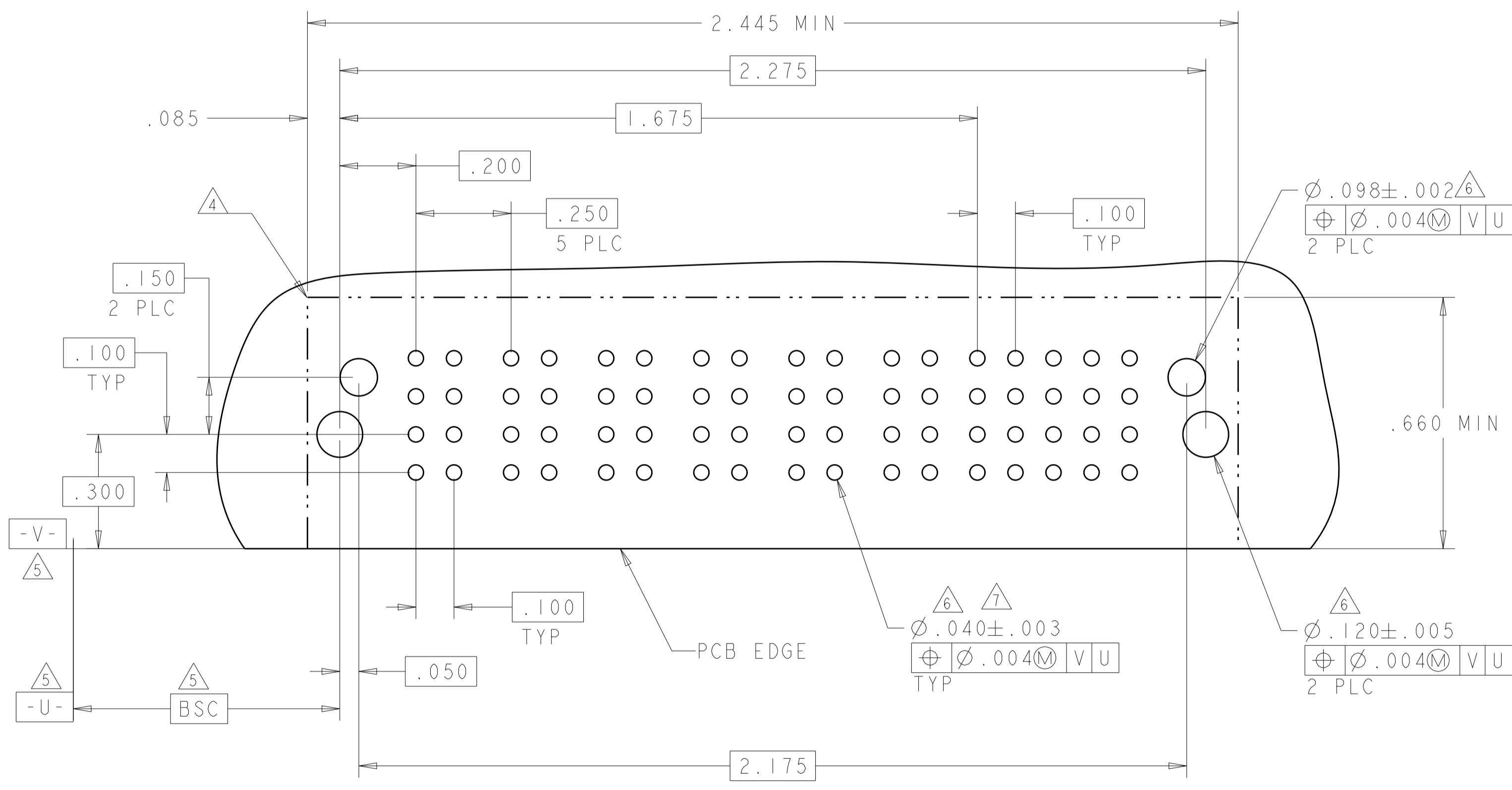
2-6450830-0 AND 2-6450830-5 PCB LAYOUT

THIS DRAWING IS A CONTROLLED DOCUMENT.		OWN: H. LIU 27MAY2008	 TE Connectivity
DIMENSIONS: INCHES		CHK: S. ZHAO 27MAY2008	
TOLERANCES UNLESS OTHERWISE SPECIFIED:		APVD: S. ZHAO	NAME: R/A HEADER WITH SHORT GUIDES AND LP CONTACTS ASSEMBLY
0 PLC ±.01		PRODUCT SPEC: 108-2292	APPLICATION SPEC: MULTI-BEAM XLE
1 PLC ±.01		SIZE: 114-13251	RESTRICTED TO:
2 PLC ±.01		WEIGHT:	SCALE: 4:1 SHEET 12 OF 24 REV: K6
3 PLC ±.005		CUSTOMER DRAWING	
4 PLC ±.002			
ANGLES: ±.020			
FINISH:			

LOC	DIST	REVISIONS			
P	LTN	DESCRIPTION	DATE	DWN	APVD
-	-	SEE SHEET 1	-	-	-

PART NUMBER	ROWS	POWER						SIGNAL					
		P1	P2	P3	P4	P5	P6	1	2	3	4	5	
2-6450832-2	D C B A	TM	TM	TM	TM	TM	TM	J	J	J	J	J	J
		TM	TM	TM	TM	TM	TM	K	K	K	K	K	K
		TM	TM	TM	TM	TM	TM	N	G	N	N	N	N
		TM	TM	TM	TM	TM	TM	S	S	S	S	S	S
6P + 20S		HD											

PART NUMBER	ROWS	POWER										SIGNAL							
		P1	P2	P3	P4	P5	P6	P7	P8	P9	P10	P11	1	2	3	4	5	6	
2-6450832-8	D C B A	TM	TM	TM	TM	TM	TM	TM	TM	TM	TM	TM	J	J	J	J	J	J	J
		TM	TM	TM	TM	TM	TM	TM	TM	TM	TM	TM	K	K	K	K	K	K	F
		TM	TM	TM	TM	TM	TM	TM	TM	TM	TM	TM	N	N	N	N	N	N	N
11HDP + 24S		HD																	

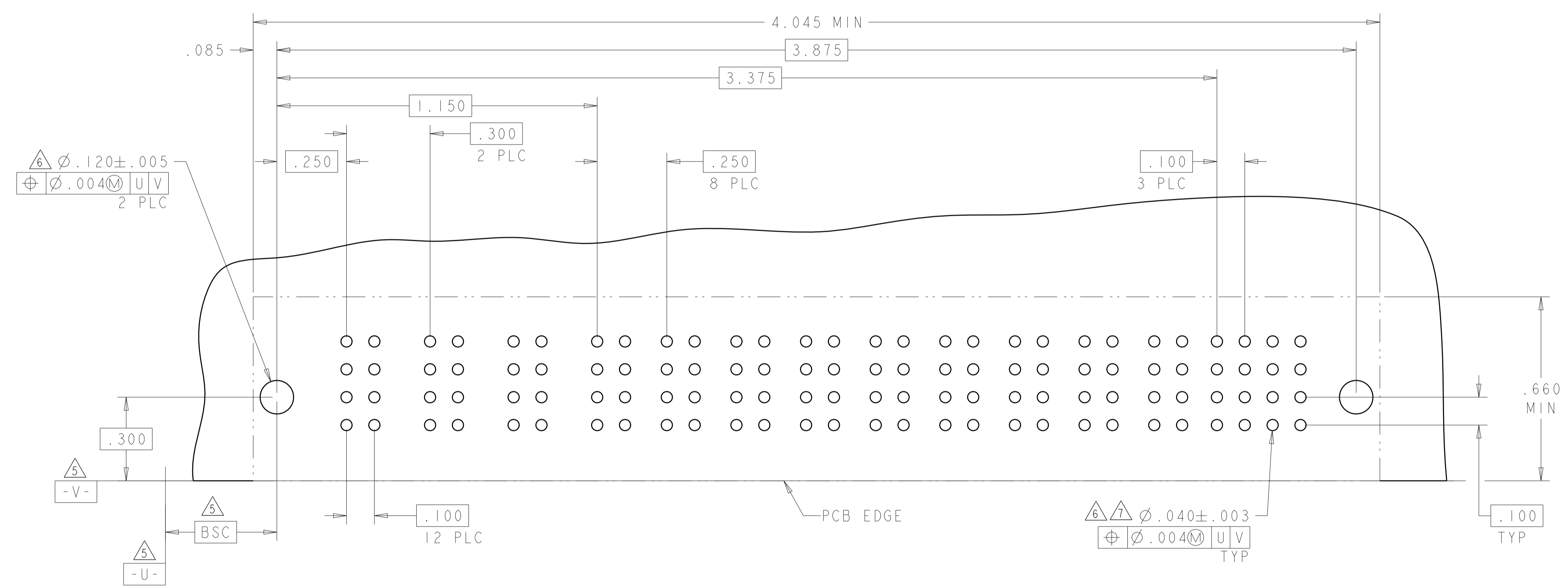


THIS DRAWING IS A CONTROLLED DOCUMENT.

DWN: H. LIU	27MAY2008		TE Connectivity
CHK: S. ZHAO	27MAY2008		
DIMENSIONS: INCHES	TOLERANCES UNLESS OTHERWISE SPECIFIED:	NAME: R/A HEADER WITH SHORT GUIDES AND LP CONTACTS ASSEMBLY	
0 PLC ± .01	1 PLC ± .01	PRODUCT SPEC: 108-2292	
2 PLC ± .01	3 PLC ± .005	APPLICATION SPEC: 114-13251	
4 PLC ± .002	ANGLES ± .020	SIZE: A100779	
MATERIAL:	FINISH:	WEIGHT:	SCALE: 4:1
CUSTOMER DRAWING		SHEET 13 OF 24	

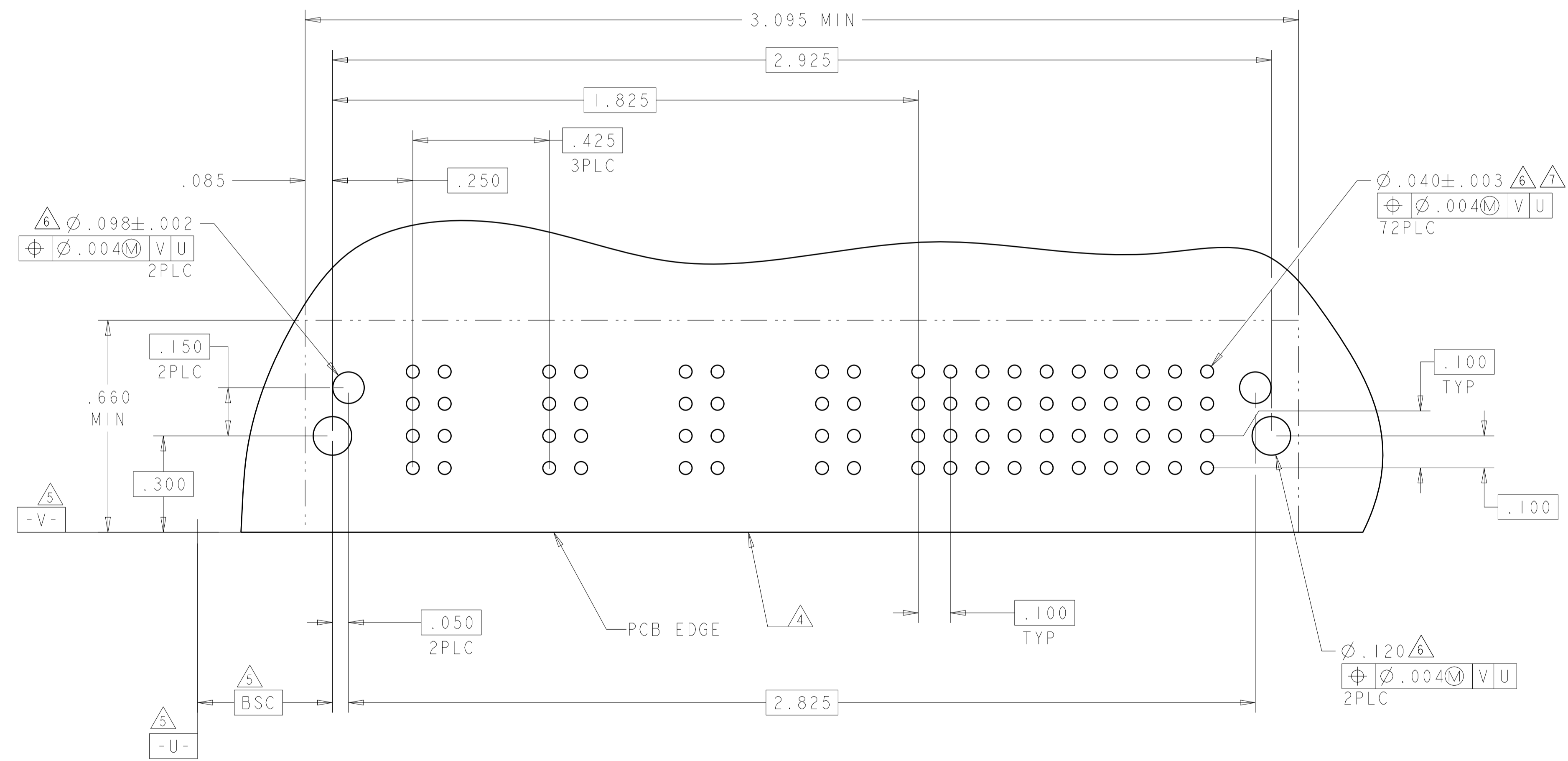
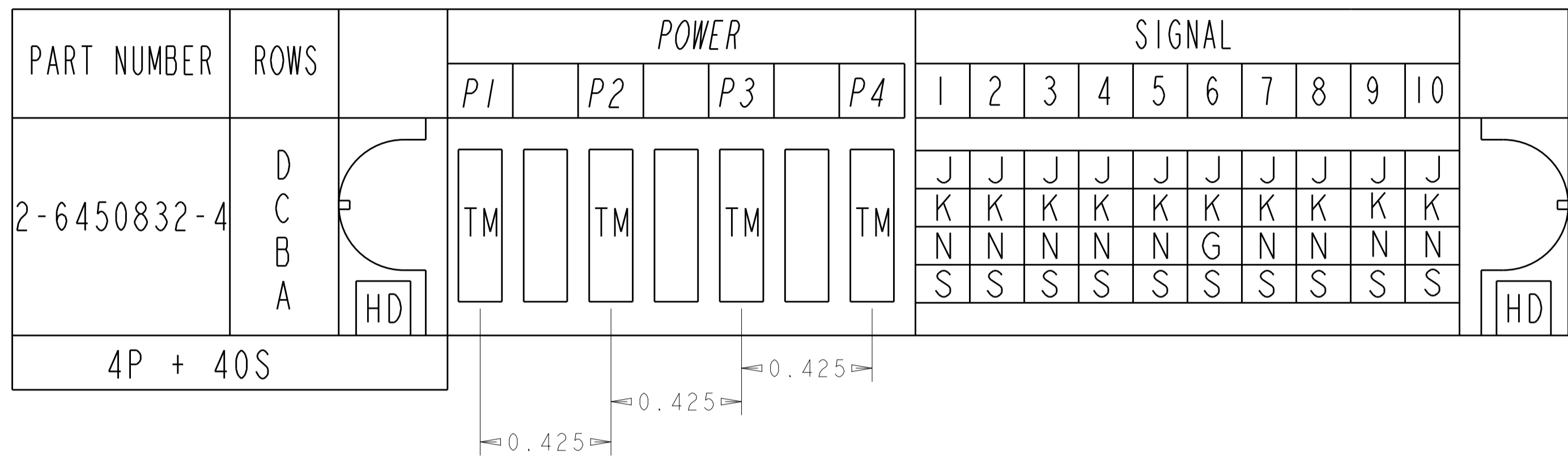
LOC	DIST	REVISIONS			
P	LTH	DESCRIPTION	DATE	DWN	APVD
-	-	SEE SHEET 1	-	-	-

PART NUMBER	ROWS	POWER												SIGNAL			
		P1	P2	P3	P4	P5	P6	P7	P8	P9	P10	P11	P12	1	2	3	4
2-6450832-3	D	PS	PS	PS	PS	PS	PS	PS	PS	PS	PS	PS	PS	J	J	J	J
	C	PS	PS	PS	PS	PS	PS	PS	PS	PS	PS	PS	PS	K	K	K	K
	B	PS	PS	PS	PS	PS	PS	PS	PS	PS	PS	PS	PS	N	N	N	N
	A	PS	PS	PS	PS	PS	PS	PS	PS	PS	PS	PS	PS	S	S	S	H
3ACP + 9P + 16S																	



THIS DRAWING IS A CONTROLLED DOCUMENT.		DWN: H.LIU 27MAY2008	
DIMENSIONS: INCHES		CHK: S.ZHAO 27MAY2008	
		APVD: S.ZHAO	NAME: R/A HEADER WITH SHORT GUIDES AND LP CONTACTS ASSEMBLY MULTI-BEAM XLE
TOLERANCES UNLESS OTHERWISE SPECIFIED: 0 PLC ±. 1 PLC ±. 2 PLC ±.01 3 PLC ±.05 4 PLC ±.0020 ANGLES ±°		PRODUCT SPEC: 108-2292	SIZE: A100779
MATERIAL:		APPLICATION SPEC: 114-13251	CAGE CODE: C=6450832
FINISH:		WEIGHT:	RESTRICTED TO:
CUSTOMER DRAWING		SCALE: 4:1	SHEET 14 OF 24 REV: K6

LOC		DIST		REVISIONS			
P	LTN	DESCRIPTION	DATE	DNW	APVD		
-	-	SEE SHEET 1	-	-	-	-	-



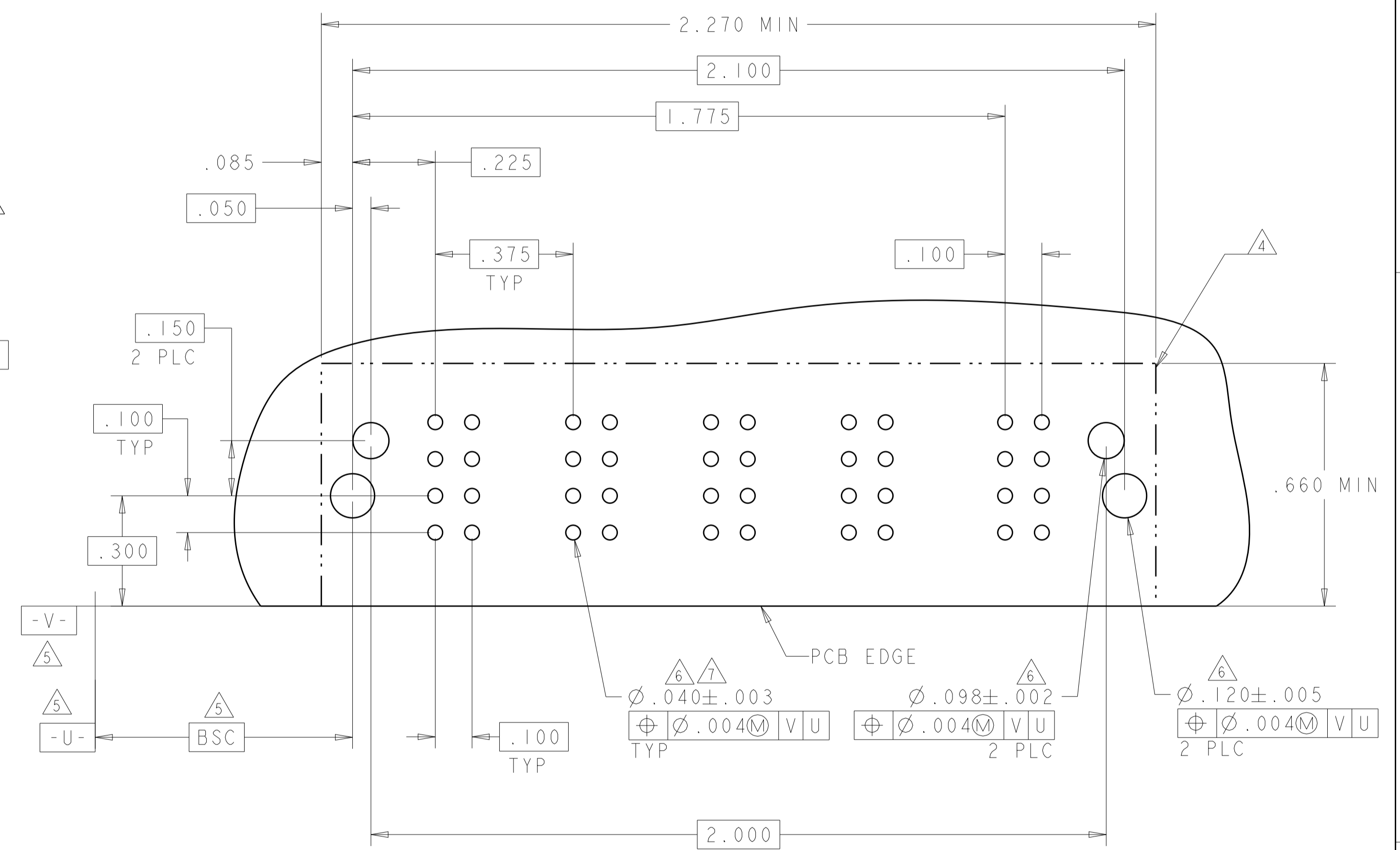
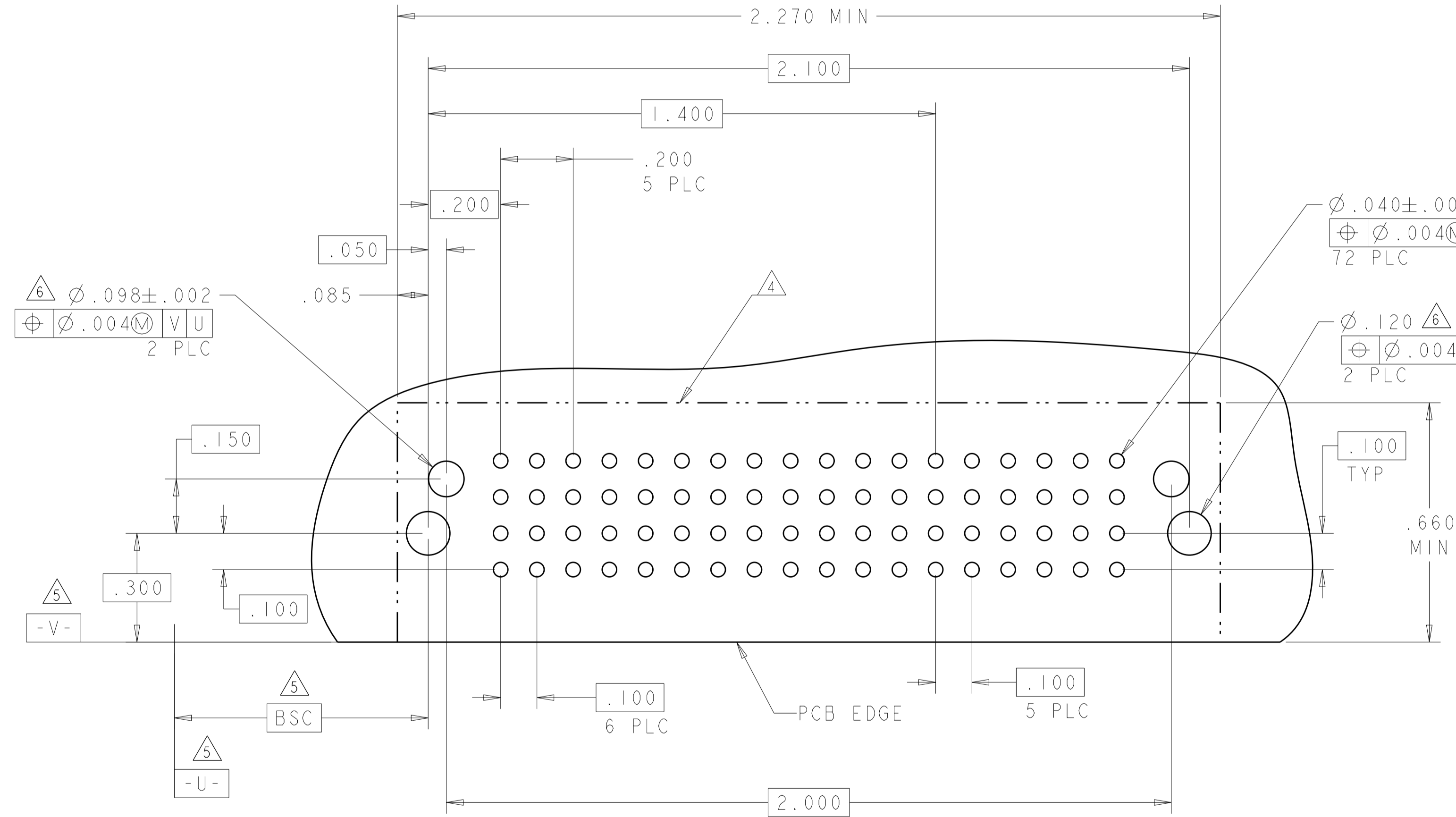
RECOMMENDED PCB LAYOUT BY TE

THIS DRAWING IS A CONTROLLED DOCUMENT.		DNW: H.LIU 27MAY2008	
DIMENSIONS: INCHES		CHK: S.ZHAO 27MAY2008	
TOLERANCES UNLESS OTHERWISE SPECIFIED: 0 PLC ±. 1 PLC ±.01 2 PLC ±.01 3 PLC ±.005 4 PLC ±.0020 ANGLES ±.2°		APVD: S.ZHAO	NAME: R/A HEADER WITH SHORT GUIDES AND LP CONTACTS ASSEMBLY MULTI-BEAM XLE
MATERIAL:		PRODUCT SPEC: 108-2292	RESTRICTED TO:
FINISH:		APPLICATION SPEC: 114-13251	SIZE: A100779
		WEIGHT: -	CAGE CODE: 6450832
		CUSTOMER DRAWING	SCALE: 4:1 SHEET 15 OF 24 REV: K6

LOC	DIST	REVISIONS			
P	LTN	DESCRIPTION	DATE	DMN	APVD
-	-	SEE SHEET 1	-	-	-

PART NUMBER	ROWS	POWER	SIGNAL														
			P1	P2	P3	P4	P5	P6	1	2	3	4	5	6			
2-6450832-6	D	TM	TM	TM	TM	TM	J	J	J	J	J	J	J	J			
	C						K	K	K	K	K	K	K	K	K	K	
	B						N	N	N	N	N	N	N	N	N	N	N
	A						S	S	S	S	S	S	S	S	S	S	S
6HDP + 24S																	

PART NUMBER	ROWS	POWER	SIGNAL						
			P1	P2	P3	P4	1	2	
3-6450832-0	D	TM	TM	TM	TM	J	E		
	C					K	F		
	B					N	G		
	A					S	H		
4ACP + 8S									



THIS DRAWING IS A CONTROLLED DOCUMENT.

DIMENSIONS:	TOLERANCES UNLESS OTHERWISE SPECIFIED:	OWN	H.LIU	27MAY2008
INCHES	0 PLC ±	CHK	S.ZHAO	27MAY2008
	2 PLC ±.01	APVD	S.ZHAO	-
	3 PLC ±.01	NAME	R/A HEADER WITH SHORT GUIDES AND LP CONTACTS ASSEMBLY	
	4 PLC ±.005	PRODUCT SPEC	108-2292	
	ANGLES ±.0020	APPLICATION SPEC	MULTI-BEAM XLE	
MATERIAL	FINISH	SIZE	CAGE CODE	DRAWING NO
		114-13251		A100779
		WEIGHT		C=6450832
		CUSTOMER DRAWING	SCALE	4:1
			SHEET	16 OF 24
			REV	K6

4805 (3/11)











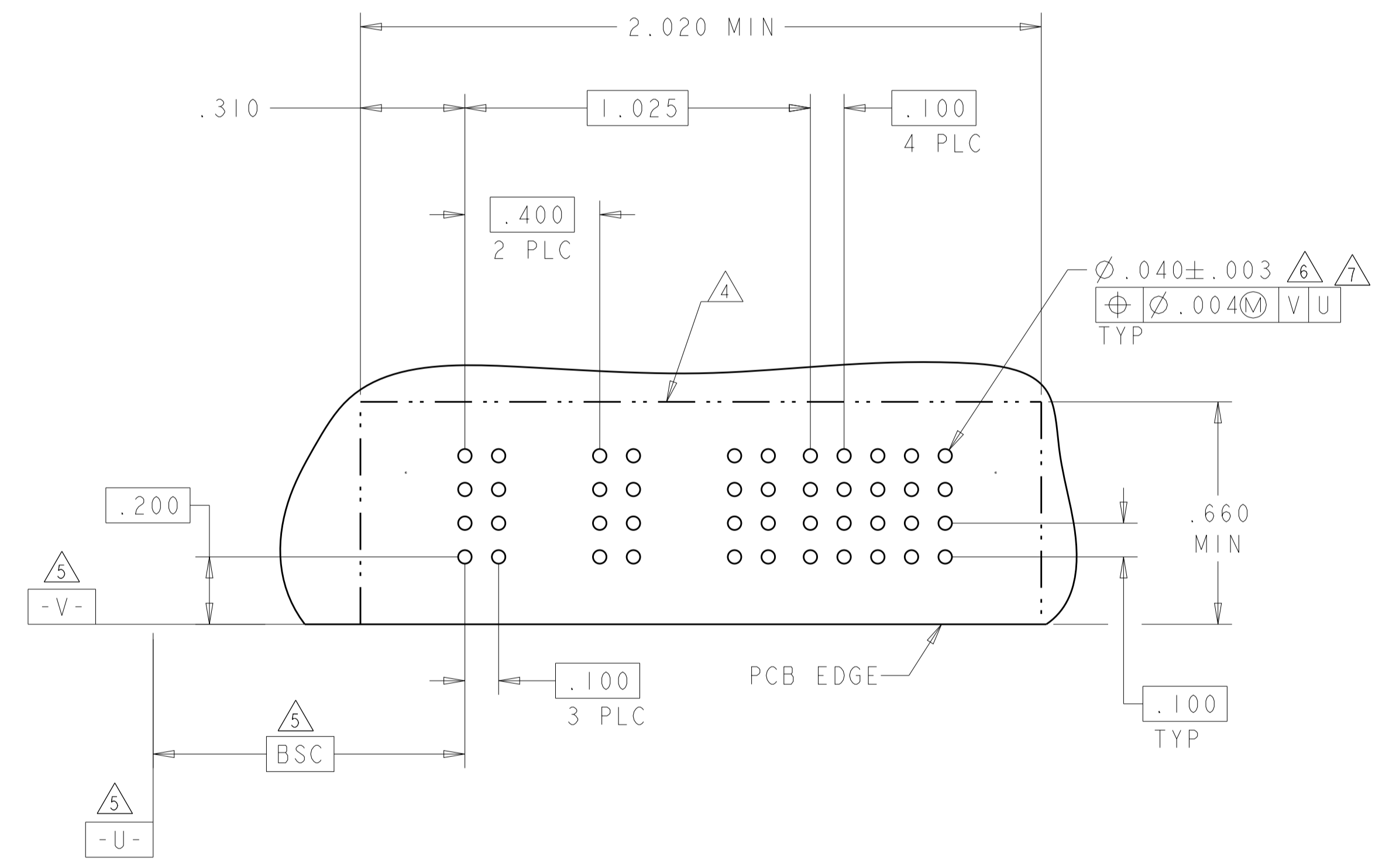
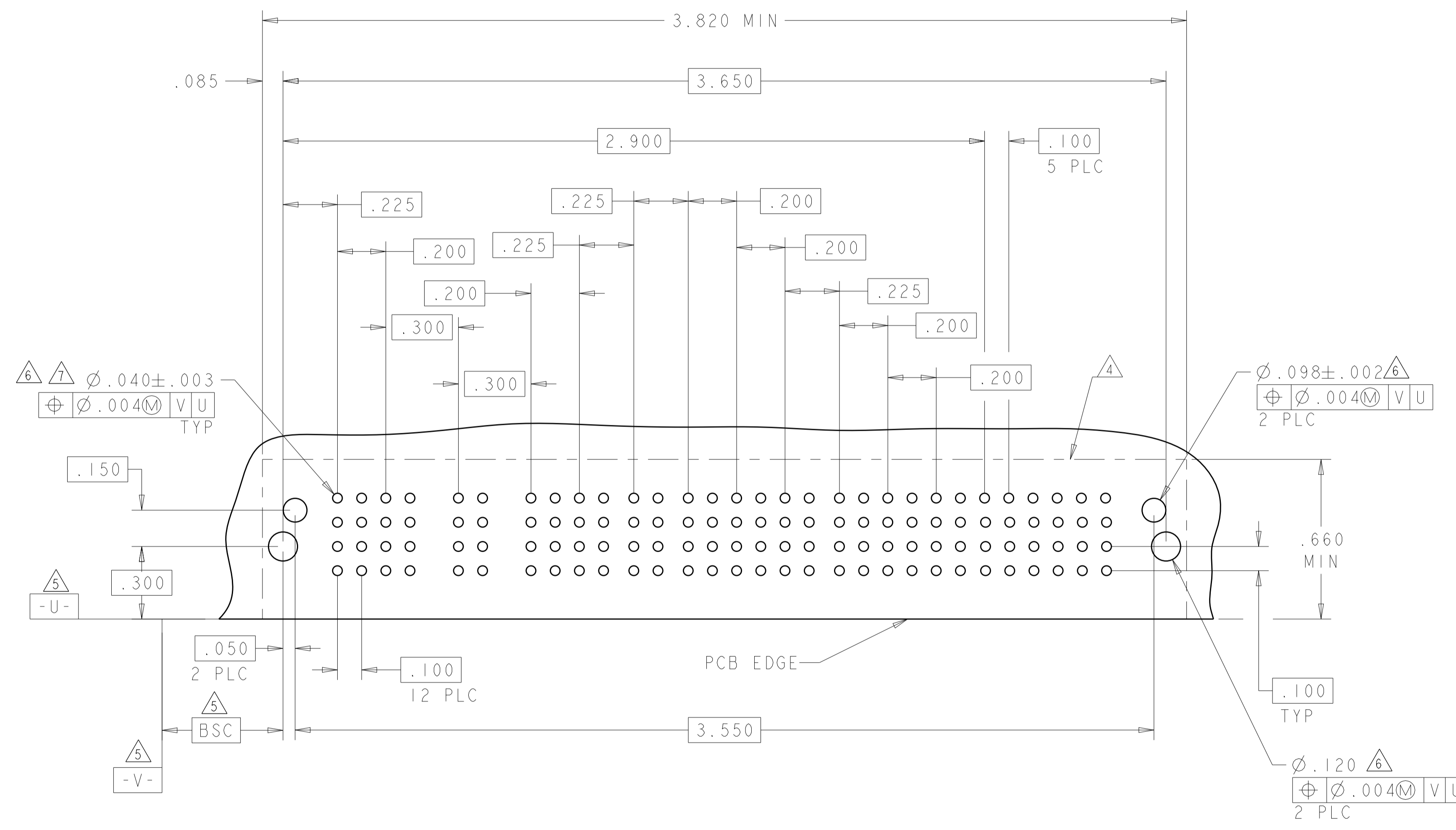


LOC	DIST	REV	DATE	BY	APPV
		1			
		2			
		3			
		4			
		5			
		6			
		7			
		8			

PART NUMBER	ROWS	POWER												SIGNAL								
		P1	P2	P3	P4	P5	P6	P7	P8	P9	P10	P11	P12	1	2	3	4	5	6			
4-6450832-3	D																					
	C																					
	B	TM	TM	TM	TM	TM	TM	TM	TM	TM	TM	TM	TM									
	A	HD																				HD

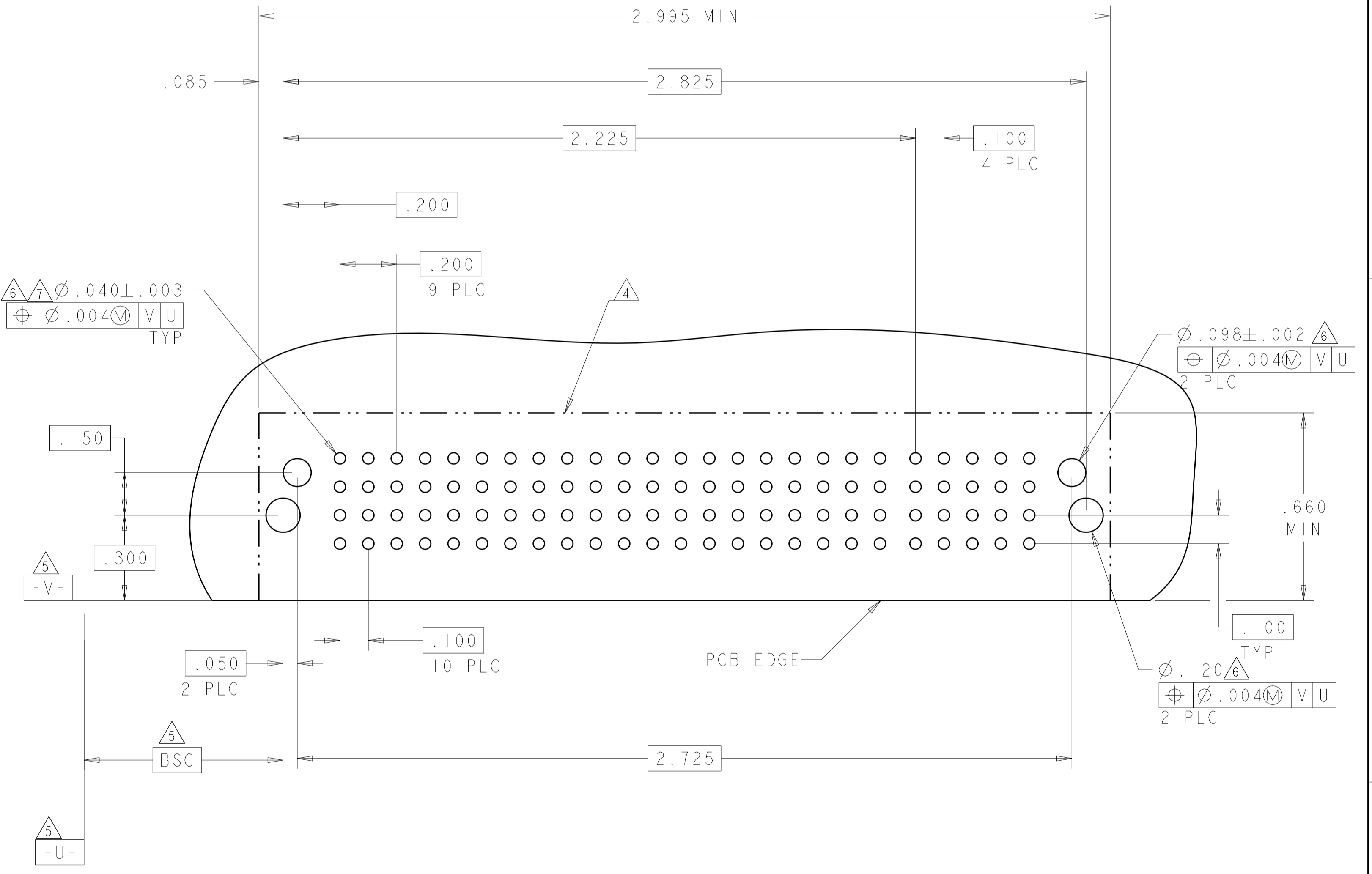
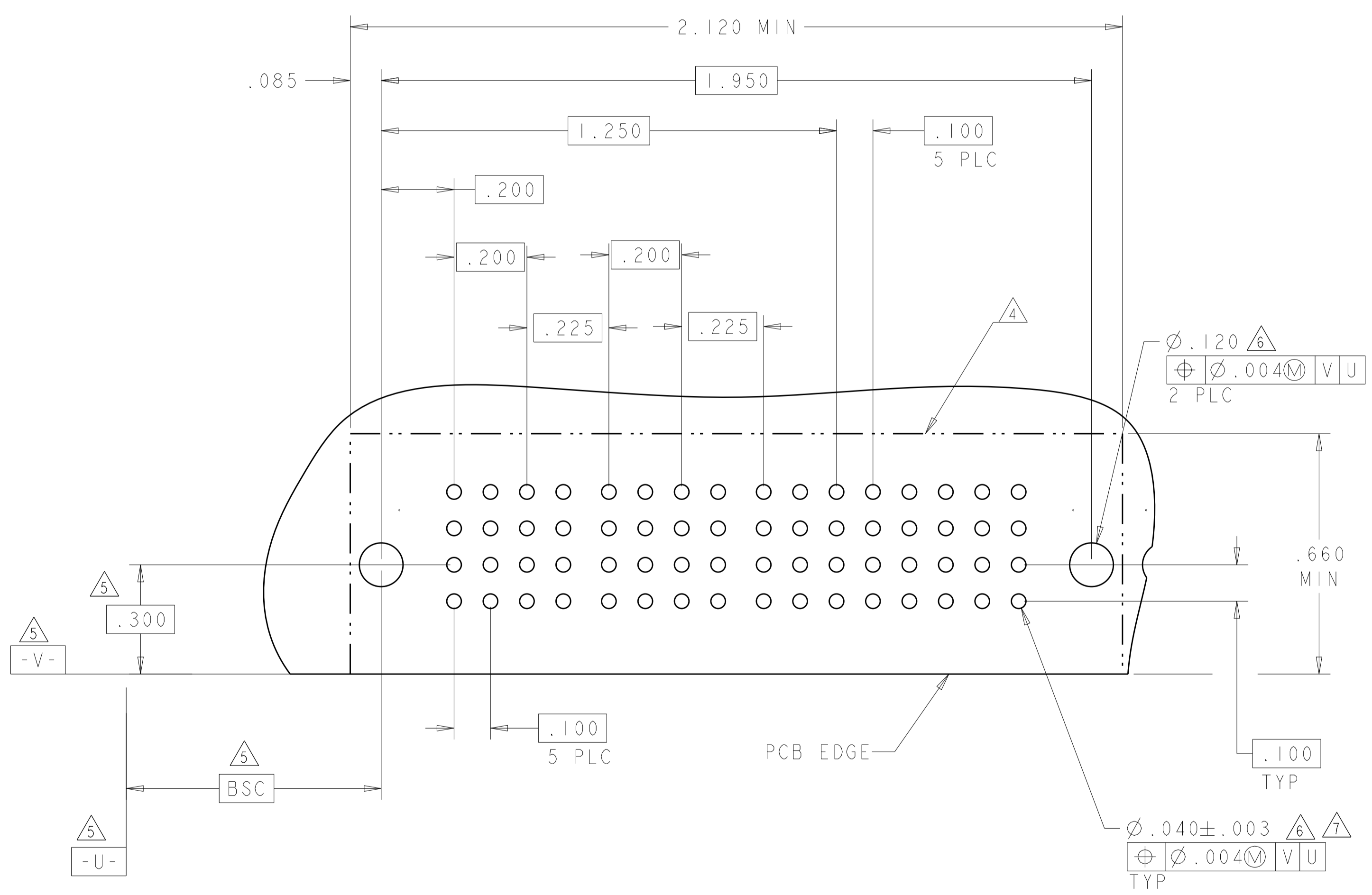
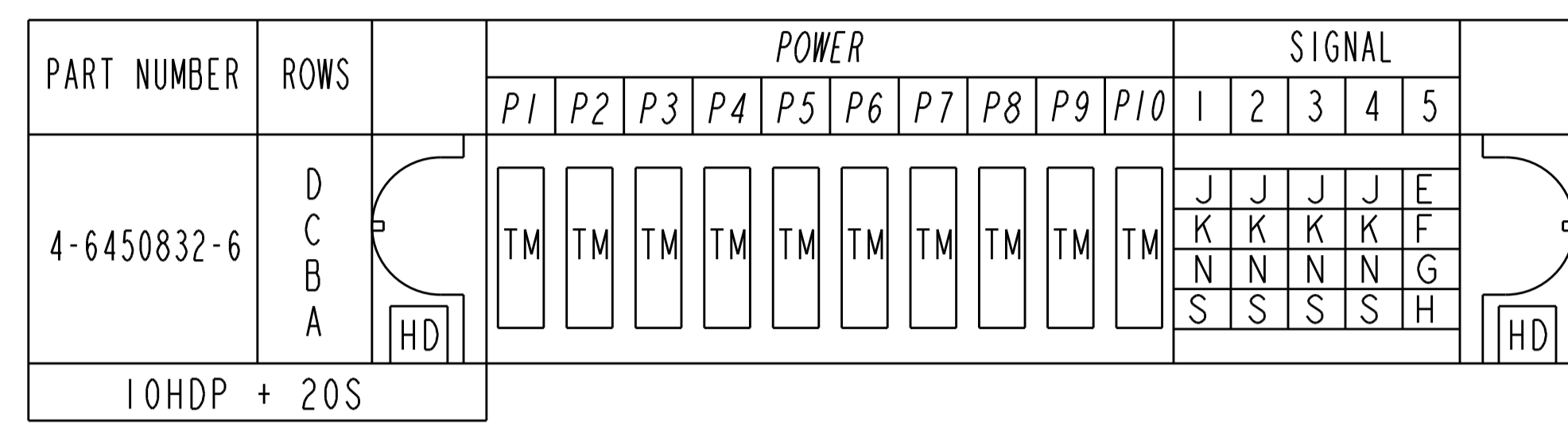
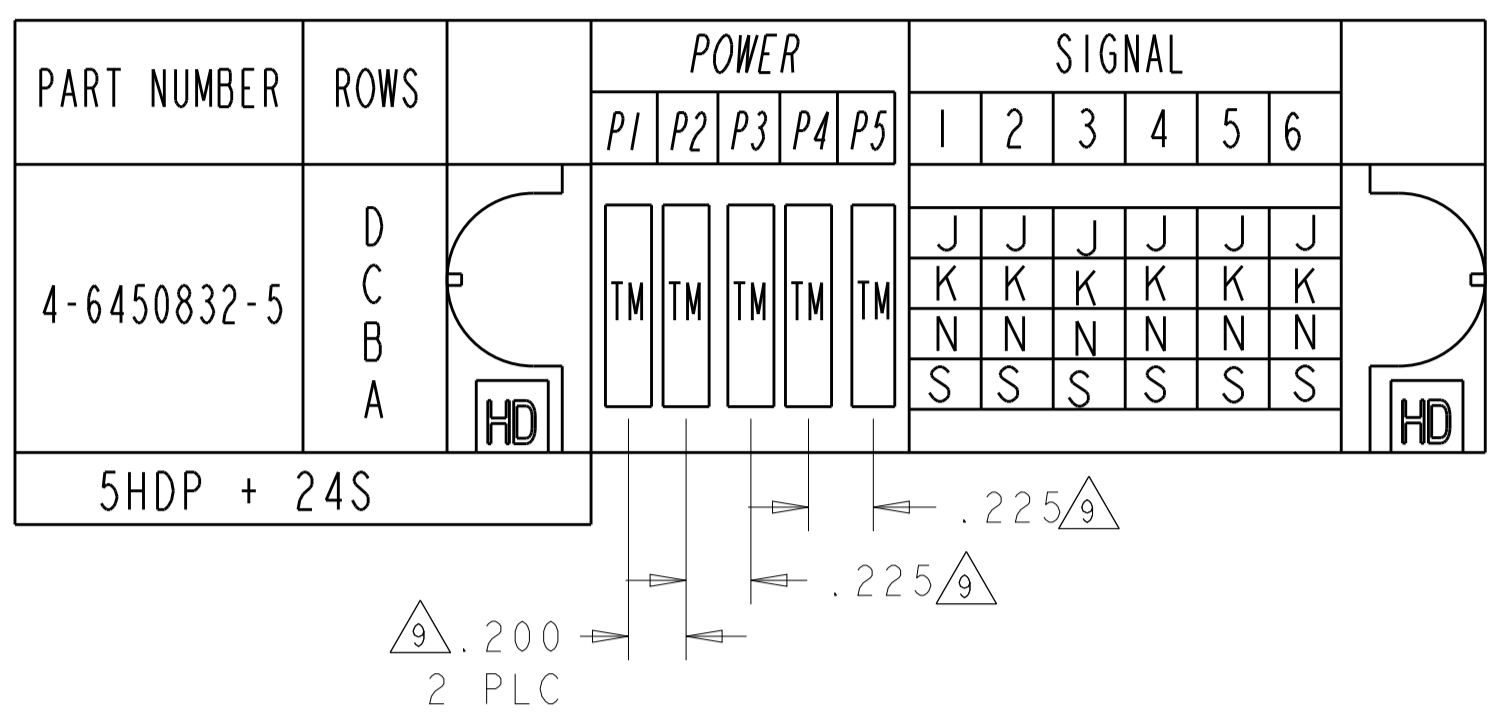
PART NUMBER	ROWS	POWER					SIGNAL															
		P1	P2	P3	P4	P5	1	2	3	4	5											
4-6450832-4	D																					
	C																					
	B	TM		TM		TM																
	A	HD																				HD

NO CONTACTS LOADED



THIS DRAWING IS A CONTROLLED DOCUMENT.		OWN: H. LIU 27MAY2008	 TE Connectivity
DIMENSIONS: INCHES		CHK: S. ZHAO 27MAY2008	
TOLERANCES UNLESS OTHERWISE SPECIFIED:		APV: S. ZHAO	NAME: R/A HEADER WITH SHORT GUIDES AND LP CONTACTS ASSEMBLY MULTI-BEAM XLE
0 PLC ± .01		PRODUCT SPEC: 108-2292	SIZE: A1
1 PLC ± .01		APPLICATION SPEC: 114-13251	CAGE CODE: C=6450832
2 PLC ± .01		WEIGHT: -	RESTRICTED TO: -
3 PLC ± .005		CUSTOMER DRAWING	SCALE: 4:1
4 PLC ± .002			SHEET: 22 OF 24
ANGLES: ± 0.020			REV: K6
FINISH: #2			

LOC	DIST	REVISIONS			
P	LTM	DESCRIPTION	DATE	DWN	APVD
-	-	SEE SHEET 1	-	-	-

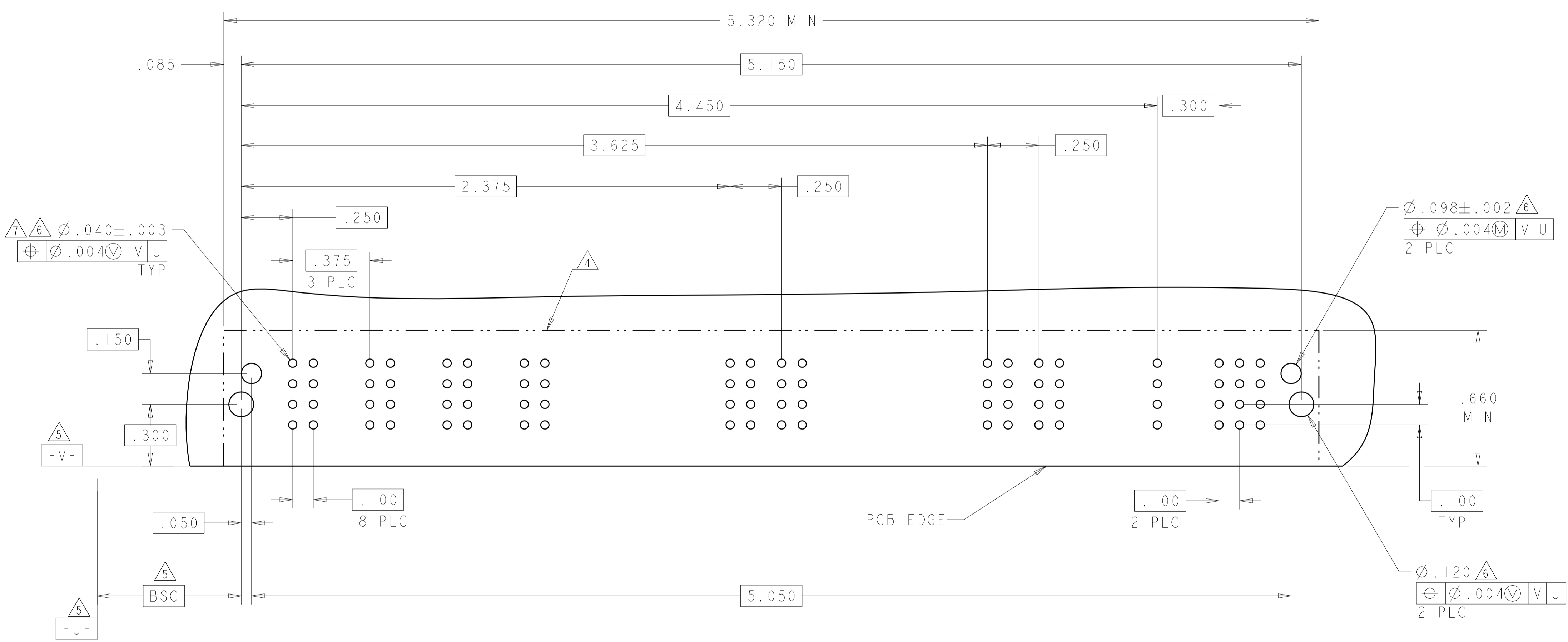
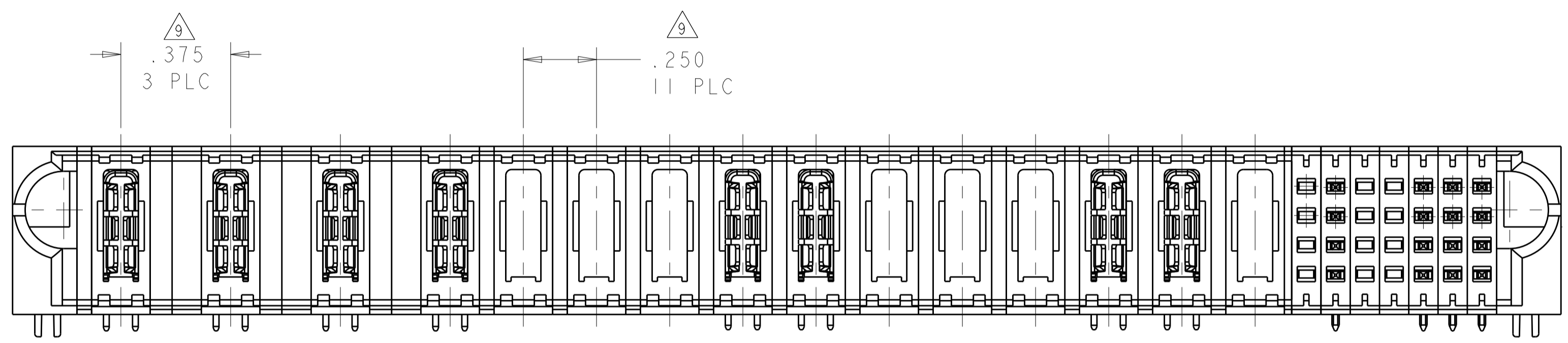


THIS DRAWING IS A CONTROLLED DOCUMENT.		DWN: H. LIU 27MAY2008	TE Connectivity
DIMENSIONS: INCHES		CHK: S. ZHAO 27MAY2008	
TOLERANCES UNLESS OTHERWISE SPECIFIED: 0 PLC ±. 1 PLC ±.01 2 PLC ±.01 3 PLC ±.005 4 PLC ±.0020 ANGLES ±.2°		NAME: R/A HEADER WITH SHORT GUIDES AND LP CONTACTS ASSEMBLY MULTI-BEAM XLE PRODUCT SPEC: 108-2292 APPLICATION SPEC: 114-13251 WEIGHT: - CUSTOMER DRAWING	SIZE: A1 CAGE CODE: 6450832 SCALE: 4:1 SHEET: 23 OF 24 REV: K6

LOC	DIST	REVISIONS					
		P	LTN	DESCRIPTION	DATE	DWN	APVD
		-		SEE SHEET 1			

PART NUMBER	ROWS	POWER															SIGNAL							
		P1	P2	P3	P4	P5	P6	P7	P8	P9	P10	P11	P12	P13	P14	P15	1	2	3	4	5	6	7	
4-6450832-7	D															-	J	-	-	J	J	J		
	C															-	K	-	-	K	K	K		
	B	TM	TM	TM	TM	-	-	-	TM	TM	-	-	-	TM	TM	-	-	G	-	-	G	G	G	
	A															-	H	-	-	H	H	H		
15P + 28S																								

- NO CONTACTS LOADED



THIS DRAWING IS A CONTROLLED DOCUMENT.		DWN: H.LIU 27MAY2008	
DIMENSIONS: INCHES		CHK: S.ZHAO 27MAY2008	
		APVD: S.ZHAO	NAME: R/A HEADER WITH SHORT GUIDES AND LP CONTACTS ASSEMBLY MULTI-BEAM XLE
TOLERANCES UNLESS OTHERWISE SPECIFIED:		PRODUCT SPEC: 108-2292	SIZE: A1
0 PLC ±. 1 PLC ±.01 2 PLC ±.01 3 PLC ±.005 4 PLC ±.0020 ANGLES ±.2°		APPLICATION SPEC: 114-13251	CAGE CODE: 6450832
MATERIAL FINISH		WEIGHT: -	RESTRICTED TO: -
		CUSTOMER DRAWING	SCALE: 4:1 SHEET 24 OF 24 REV: K6



## X-ON Electronics

Largest Supplier of Electrical and Electronic Components

*Click to view similar products for [Power to the Board](#) category:*

*Click to view products by [TE Connectivity](#) manufacturer:*

Other Similar products are found below :

[10131318-08512GRLF](#) [6450171-4](#) [6450552-7](#) [6600323-8](#) [6643429-1](#) [6646040-2](#) [6651939-1](#) [6766604-1](#) [120959-1](#) [1393557-2](#) [1393532-2](#)  
[1393532-3](#) [1393532-4](#) [1393557-1](#) [1600812-5](#) [1-6450861-2](#) [1645595-1](#) [1743490-1](#) [1744132-7](#) [1761122-1](#) [1766169-1](#) [1766250-1](#) [18362](#)  
[1892109-1](#) [1-967627-6](#) [2226808-1](#) [2-6450860-5](#) [2-6450860-6](#) [2-6450870-0](#) [93003-0502](#) [953552-1](#) [1-6450161-4](#) [1-6450850-6](#) [1645526-2](#) [1-](#)  
[6600130-0](#) [1743419-1](#) [1766150-1](#) [2005243-2](#) [211110-1](#) [2-6600130-2](#) [TE34-12-16P-F0](#) [51700-10201602AALF](#) [5-6450830-6](#) [5646956-4](#)  
[36662-0005](#) [40585-3000](#) [4-6450830-9](#) [4-6600333-3](#) [51142-0214](#) [10125416-4050LF](#)