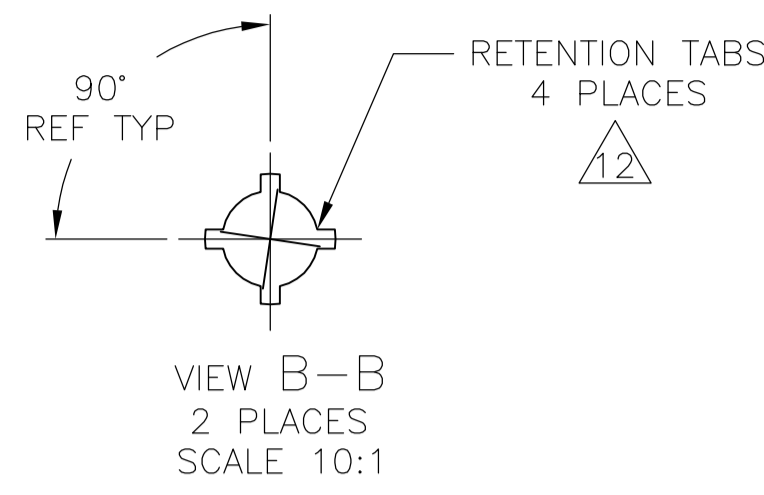
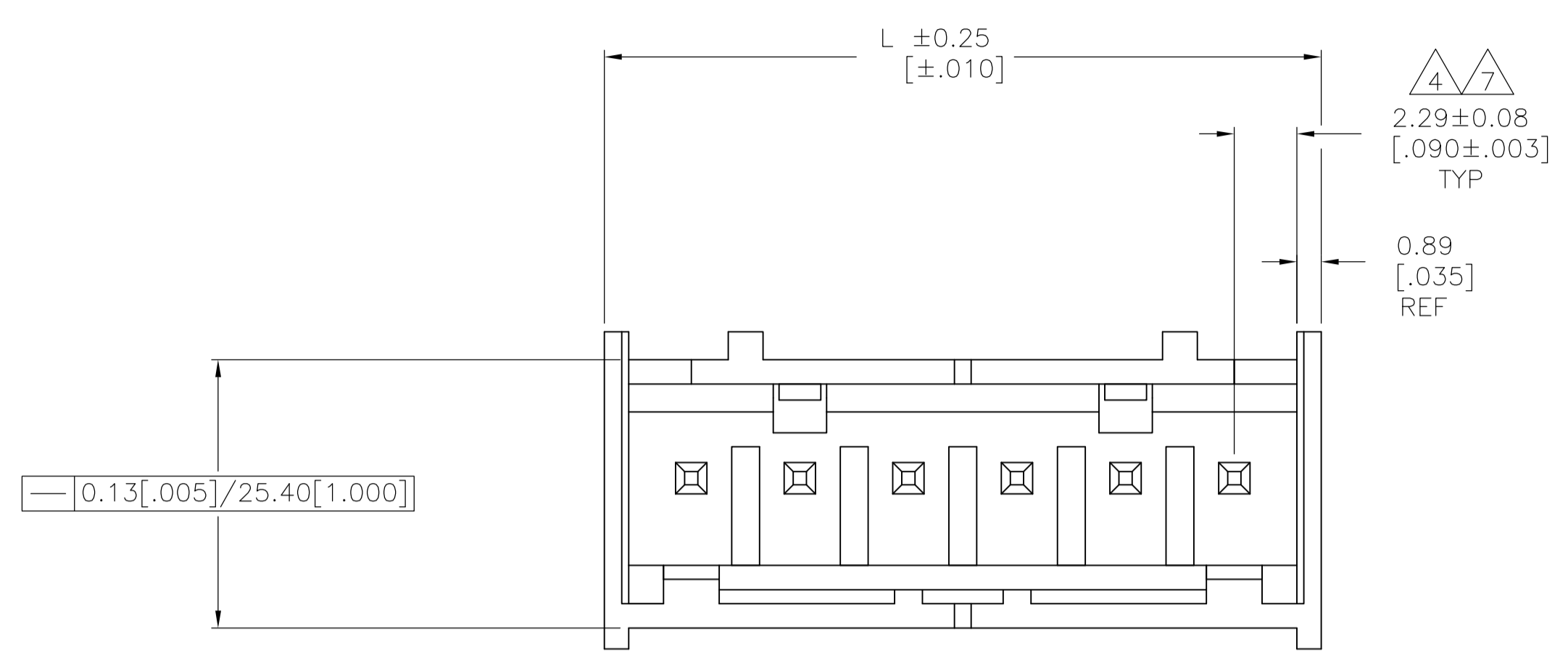
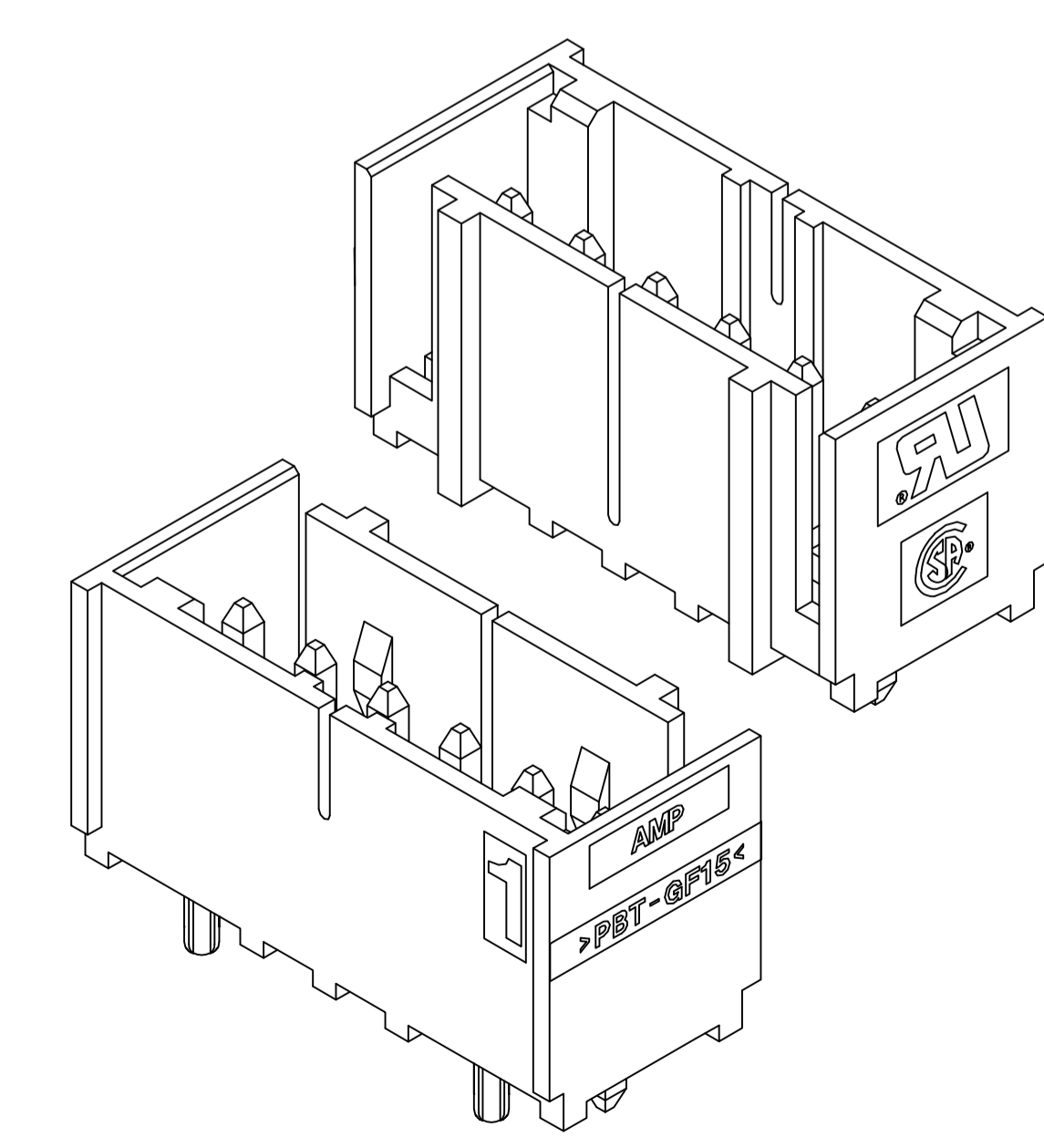
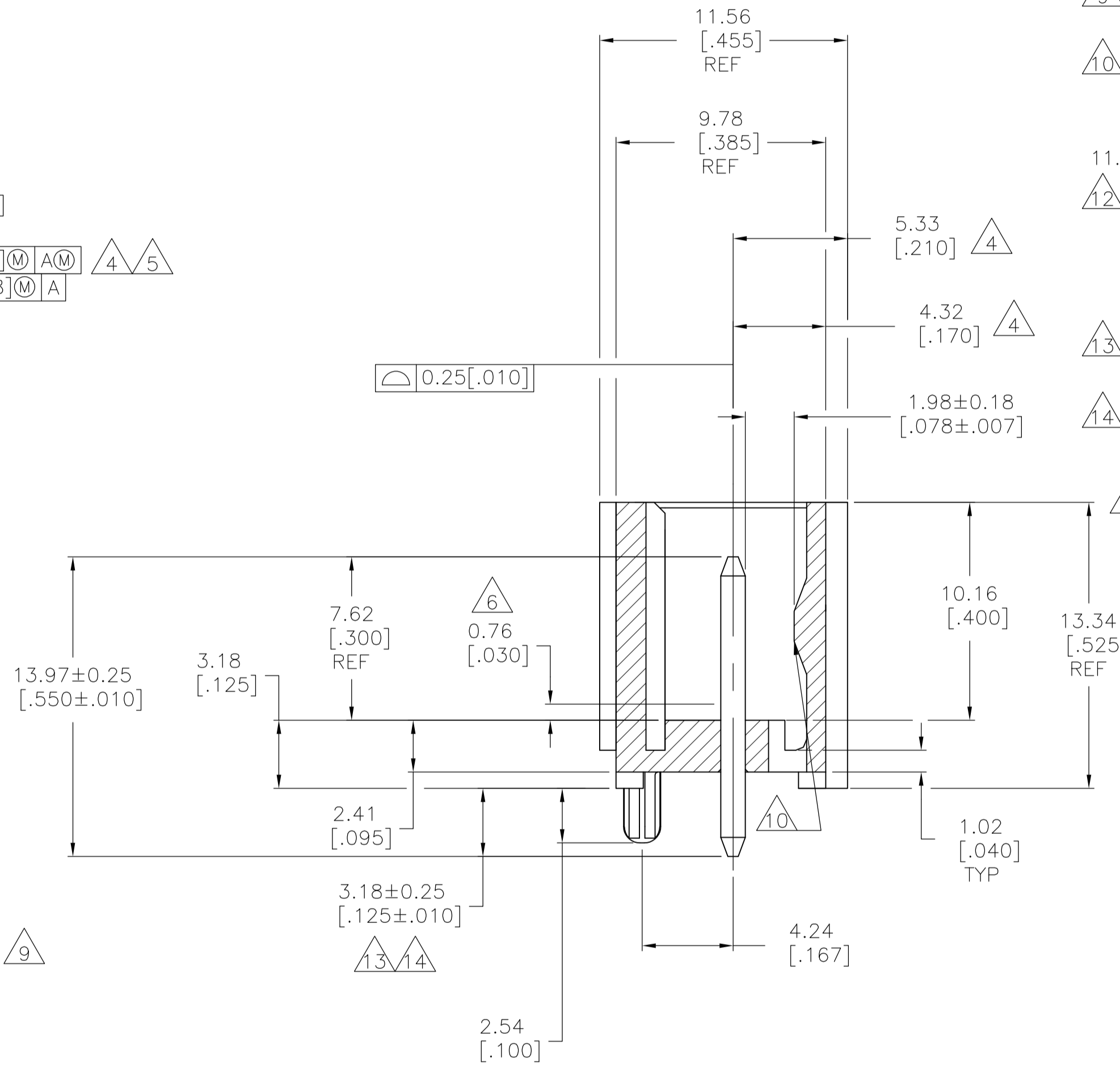
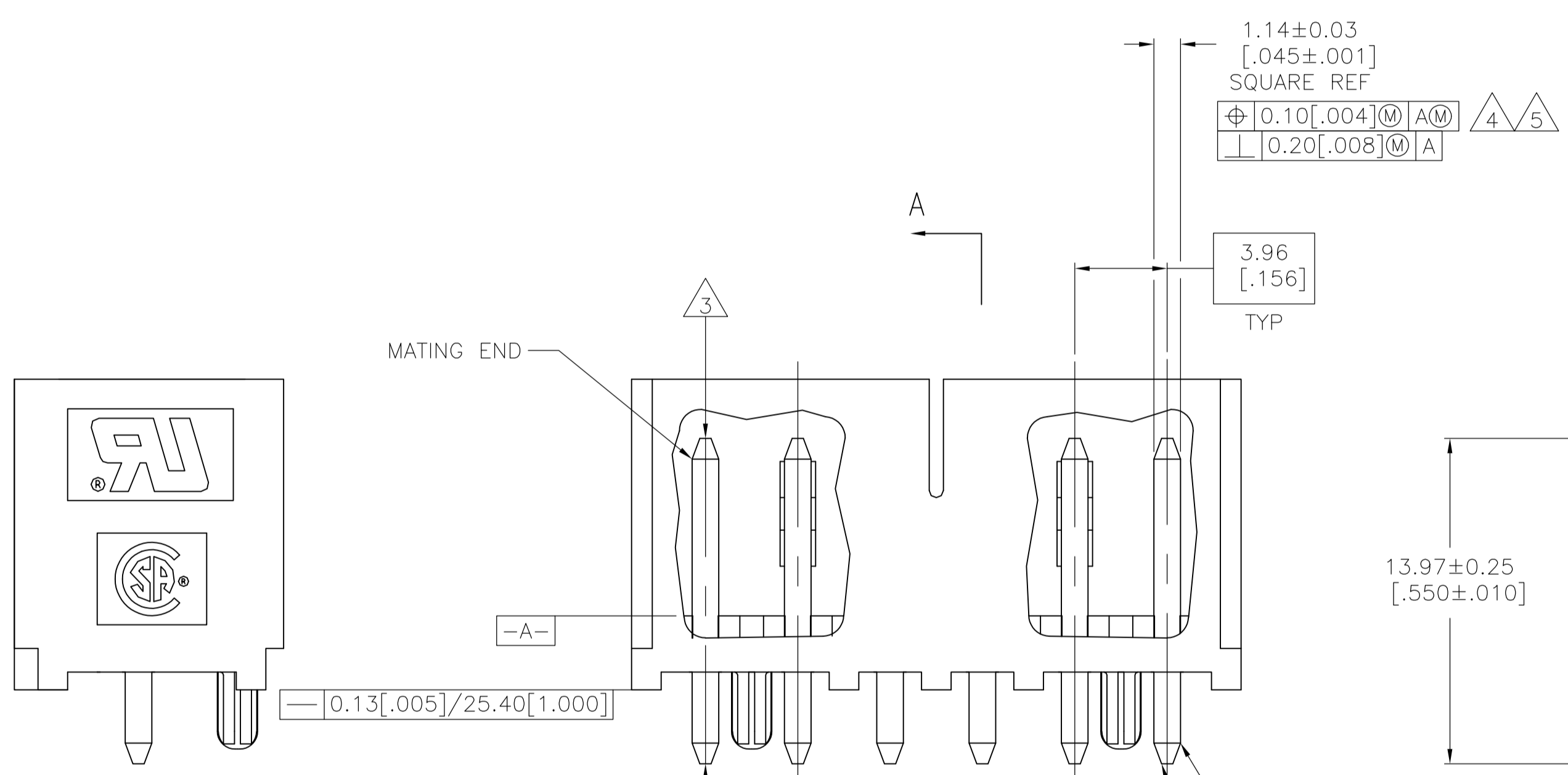


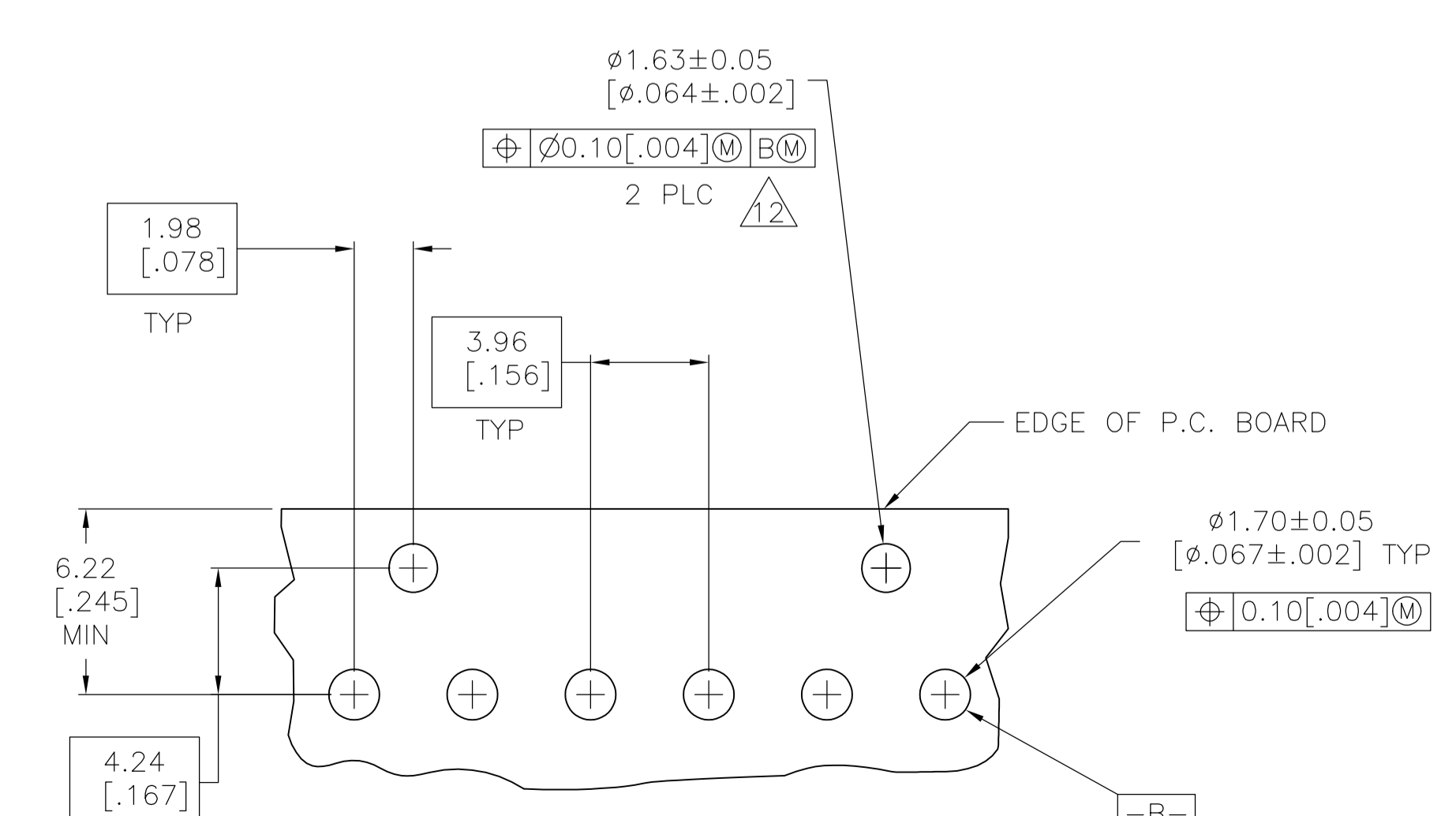
LOC	DIST	REVISIONS				
CM	0	REV	DESCRIPTION	DATE	BY	APPV
E1	REVISED PER	ECR-15-007038		28SEP2015	NK	PQ



- 1 MATERIAL: HOUSING - THERMOPLASTIC POLYESTER, GLASS FILLED, UL94-0. POST - COPPER ALLOY
- 2 FINISH: HOUSING - BLACK. POST - SEE NOTES 13 AND 14.
- 3 POST TO WITHSTAND 3LBS (16N) MIN AXIAL FORCE IN THIS DIRECTION WITHOUT DISLODGING.
- 4 APPLIES AT -A-.
- 5 APPLIES WHEN HEADER IS STRAIGHT.
- 6 PLASTIC PROJECTIONS PERMITTED IN THIS ZONE.
- 7 COORDINATE DIMENSIONS APPLIES FROM CENTER OF ACTUAL FEATURE.
- 8 SOLDER SIDE OF BOARD IS SHOWN.
- 9 POST SOLDERTAIL MUST COMPLY WITH AMP SOLDERABILITY SPEC 109-11-2.
- 10 LATCH DETENT FEATURE APPEARS 1 PLACE ON EACH END OF PART (MAX OF 2 PER PART) ON ALL POSITIONS 4 THRU 12. THE LATCH APPEARS ONLY ONE PLACE ON 2 & 3 POSITION PARTS.
- 11 DIMENSIONS IN BRACKETS ARE IN INCHES.
- 12 THE RETENTION TABS PROVIDE A ONE TIME INTERFERENCE FIT IN THE 1.63 [0.064] DIAMETER P.C. BOARD HOLE FOR HEADER ASSEMBLY RETENTION DURING SOLDERING. FOUR TABS PER PEG, TWO PEGS PER HEADER ASSEMBLY (ONE PEG ONLY FOR -2 POSITION SIZE).
- 13 MATTE TIN PLATE 0.00381 - 0.00889 [.000150 - .000350] THICK, OVER NICKEL UNDERPLATE 0.00127 [.000050] MIN THICK.
- 14 MATTE TIN PLATE 0.00381 - 0.00889 [.000150 - .000350] THICK, OVER NICKEL UNDERPLATE 0.00127 [.000050] MIN THICK.
- 15 OBSOLETE PARTS: OBSOLETE CIS STREAMLINING PER D.RENAUD/D.SINISI



3-DIMENSIONAL MODEL NTS



RECOMMENDED MOUNTING HOLE PATTERN FOR 1.57 [0.062] THICK P.C. BOARD

- 13 SUPERCEDED BY 3-647127-2
- 13 SUPERCEDED BY 3-647127-1
- 13 SUPERCEDED BY 3-647127-0
- 13 SUPERCEDED BY 2-647127-9
- 13 SUPERCEDED BY 2-647127-8
- 13 SUPERCEDED BY 2-647127-7
- 13 SUPERCEDED BY 2-647127-6
- 13 OBSOLETE
- 13 SUPERCEDED BY 2-647127-4
- 13 OBSOLETE
- 13 OBSOLETE

PLATING	MM	IN	NO. OF POSN	PART NUMBER
	49.94	1.966	12	3-647127-2
	45.97	1.810	11	3-647127-1
	42.01	1.654	10	3-647127-0
	38.05	1.498	9	2-647127-9
	34.09	1.342	8	2-647127-8
	30.12	1.186	7	2-647127-7
	26.16	1.030	6	2-647127-6
	22.20	.874	5	2-647127-5
	18.24	.718	4	2-647127-4
	14.27	.562	3	2-647127-3
	10.31	.406	2	2-647127-2
	49.94	1.966	12	1-647127-2
	45.97	1.810	11	1-647127-1
	42.01	1.654	10	1-647127-0
	38.05	1.498	9	-647127-9
	34.09	1.342	8	-647127-8
	30.12	1.186	7	-647127-7
	26.16	1.030	6	-647127-6
	22.20	.874	5	-647127-5
	18.24	.718	4	-647127-4
	14.27	.562	3	-647127-3
	10.31	.406	2	-647127-2

THIS DRAWING IS A CONTROLLED DOCUMENT. DIMENSIONS: mm [INCHES]. TOLERANCES UNLESS OTHERWISE SPECIFIED: 0 PLC ±, 1 PLC ±, 2 PLC ±, 3 PLC ±, 4 PLC ±, ANGLES ±.

DIN B. LEWIS 17JUN98
 CLK R. SWING 17JUN98
 APVD D. CLARK 17JUN98
 NAME: MTA-156 SHROUDED HEADER ASSEMBLY, STRAIGHT .045 SQUARE POST, TIN, W/ RETENTION PEG
 PRODUCT SPEC: APPLICATION SPEC
 SIZE: A1
 DRAWING NO: 00779
 CUSTOMER DRAWING: 647127

STE TE Connectivity
 MTA-156 SHROUDED HEADER ASSEMBLY, STRAIGHT .045 SQUARE POST, TIN, W/ RETENTION PEG
 SCALE: 5:1 SHEET 1 OF 1 REV E1

X-ON Electronics

Largest Supplier of Electrical and Electronic Components

Click to view similar products for [Headers & Wire Housings](#) category:

Click to view products by [TE Connectivity](#) manufacturer:

Other Similar products are found below :

[95000-104TRLF](#) [10135584-644402LF](#) [DF62W-EP2022PCA](#) [95000-106TRLF](#) [DF62W-2022SCA](#) [DF62W-EP2022PC](#) [2203348](#) [DF62W-2022SC](#) [1084018](#) [1029039](#) [1084017](#) [802-10-012-10-002000](#) [1112640](#) [1112639](#) [891-007-9SS-BST1T](#) [000-34000](#) [0008550134](#) [0009482033](#) [0009507031](#) [57102-F02-18ULF](#) [57102-S06-03LF](#) [57202-S52-04LF](#) [PCN6-15S-2.5E](#) [0039019024](#) [58102-G61-06LF](#) [582553-1](#) [0009485154](#) [0009508121](#) [0022285053](#) [0050291907](#) [018731A](#) [LY20-4P-DT1-P1E-BR](#) [02.125.8002.8](#) [60101931](#) [60598-1 \(Cut Strip\)](#) [M1625-3R/100](#) [61062-3](#) [61082-181009](#) [CSU011177004](#) [636-1427](#) [638009-1](#) [641938-9](#) [641991-4](#) [644168-1](#) [644827-2](#) [647662-1](#) [65039-019ELF](#) [65692-001LF](#) [65781-018](#) [65781-047](#)