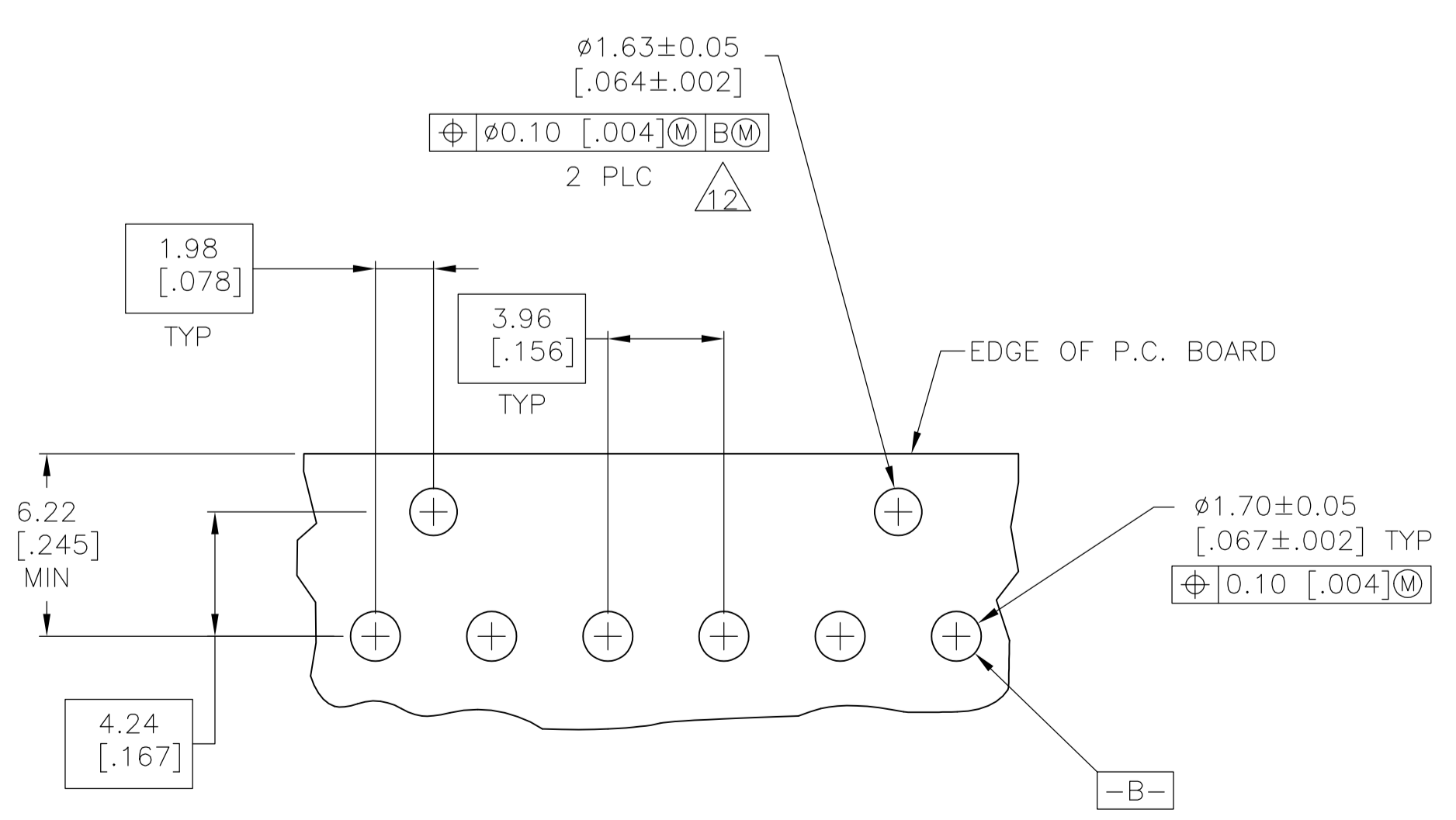
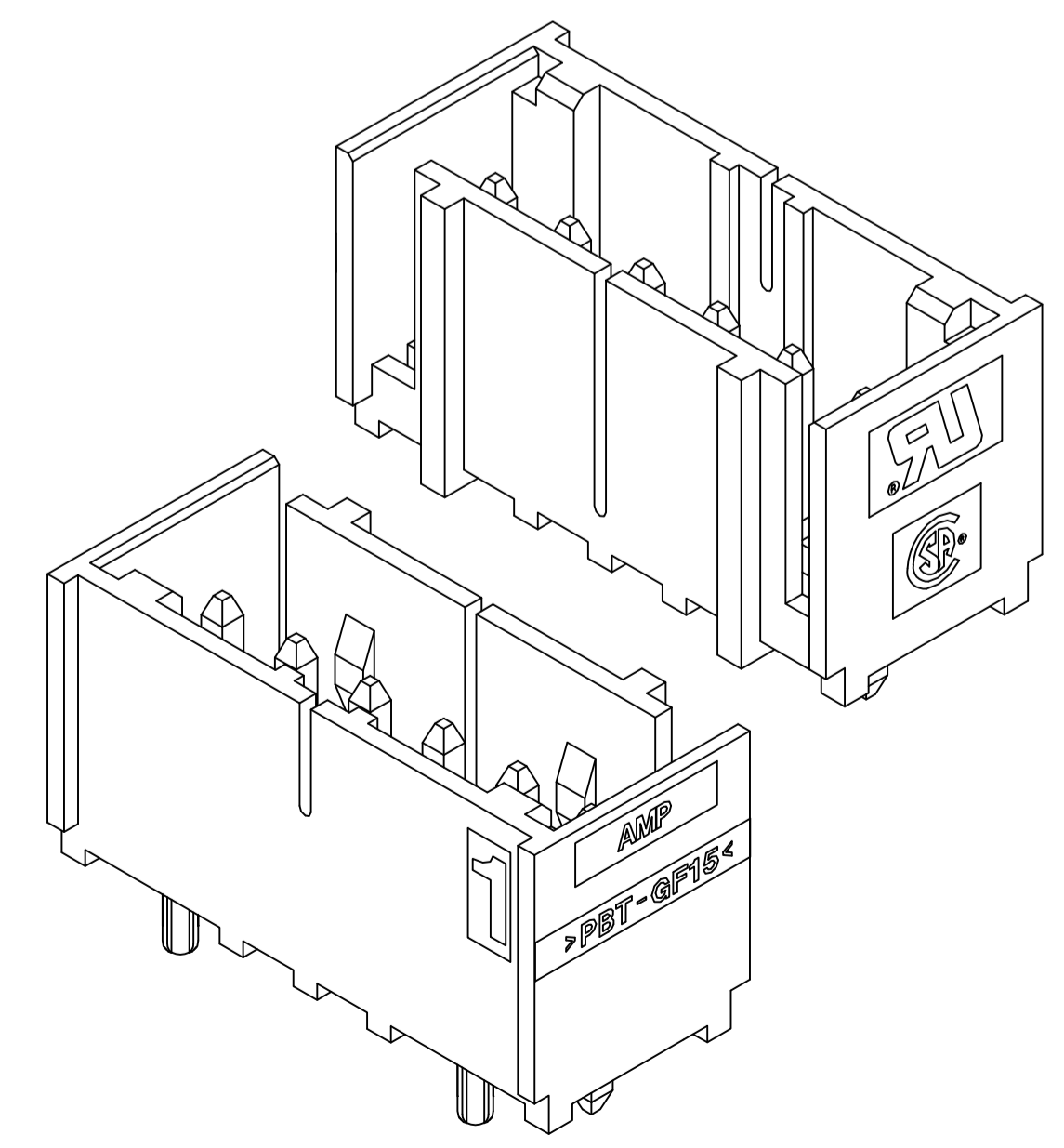
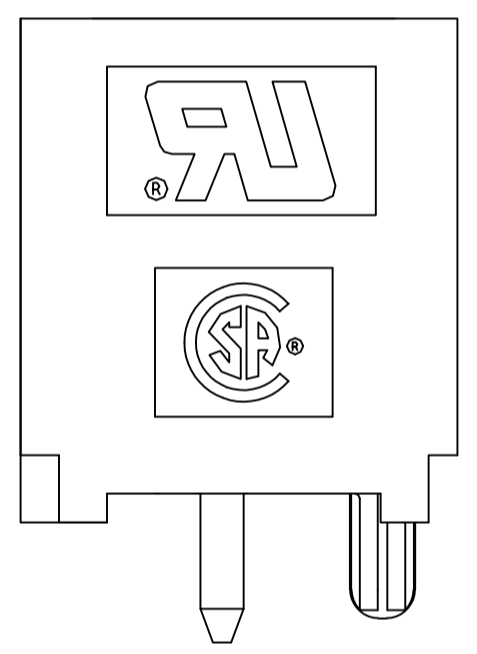
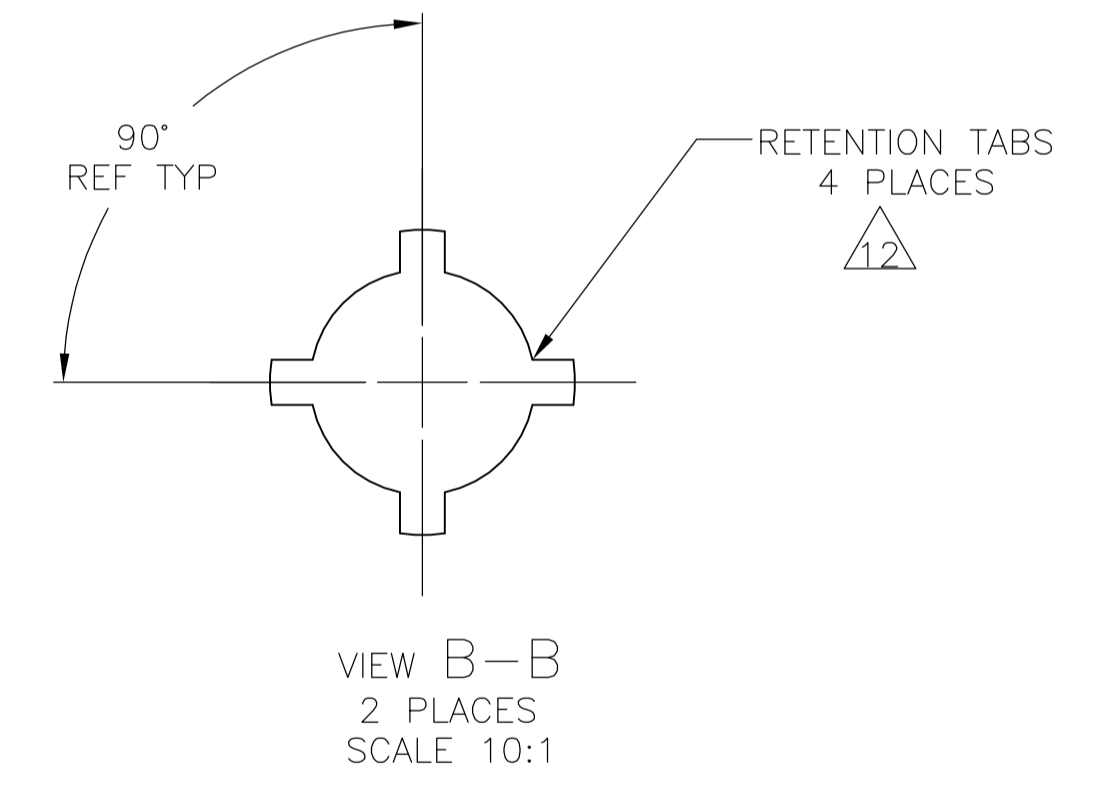
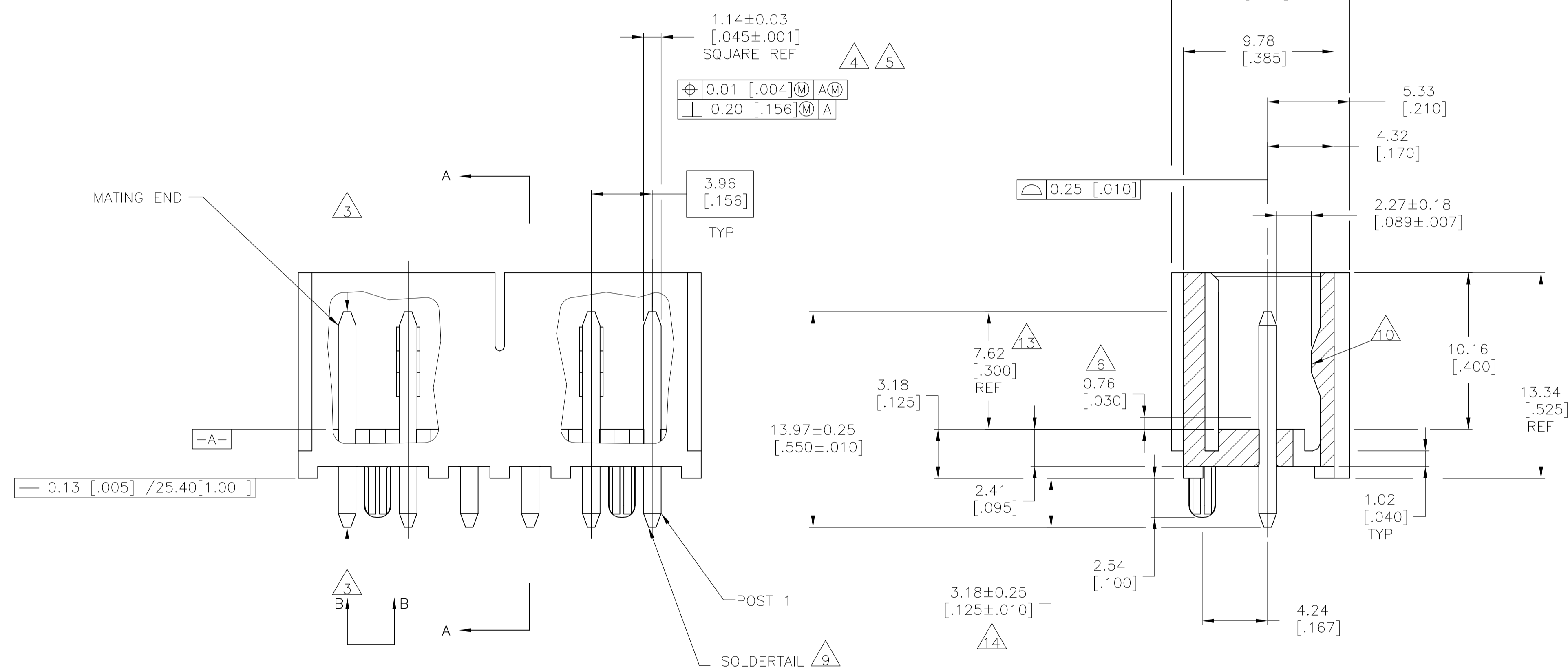
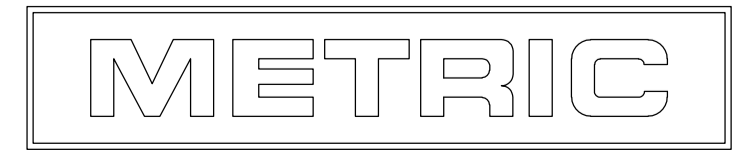


- 1 MATERIAL: HOUSING - THERMOPLASTIC POLYESTER, GLASS FILLED, UL94-0. POST - COPPER ALLOY
- 2 FINISH: HOUSING - BLACK. POST - (SEE NOTES 13 & 14 FOR PLATING).
- 3 POST TO WITHSTAND 3LBS (16N) MIN AXIAL FORCE IN THIS DIRECTION WITHOUT DISLODGING.
- 4 APPLIES AT -A-
- 5 APPLIES WHEN HEADER IS STRAIGHT.
- 6 PLASTIC PROJECTIONS PERMITTED IN THIS ZONE.
- 7 COORDINATE DIMENSIONS APPLIES FROM CENTER OF ACTUAL FEATURE.
- 8 SOLDER SIDE OF BOARD IS SHOWN.
- 9 POST SOLDER TAIL MUST COMPLY WITH AMP SOLDERABILITY SPEC 109-11-2.
- 10 LATCH DETENT FEATURE APPEARS 1 PLACE ON EACH END OF PART (MAX OF 2 PER PART) ON ALL POSITIONS 4 THRU 12. THE LATCH APPEARS ONLY ONE PLACE ON 2 & 3 POSITION PARTS.
- 11. DIMENSIONS IN BRACKETS ARE IN INCHES.
- 12 THE RETENTION TABS PROVIDE A ONE TIME INTERFERENCE FIT IN THE 1.63 [.064] DIAMETER P.C. BOARD HOLE FOR HEADER ASSEMBLY RETENTION DURING SOLDERING. FOUR TABS PER PEG, TWO PEGS PER HEADER ASSEMBLY (ONE PEG ONLY FOR -2 POSITION SIZE).
- 13 PLATING: GOLD PLATE AREA, 0.00038 [.000015] GOLD OR 0.00008 [.000003] MIN GOLD FLASH OVER 0.00030 [.000012] PALLADIUM NICKEL, PER TE CONNECTIVITY'S DISCRETION, ALL SIDES, OVER NICKEL UNDERPLATE, 0.00127 [.000050] MIN, ALL SIDES AND ENTIRE LENGTH OF POST.
- 14 BRIGHT TIN LEAD (93/7) PLATE AREA 0.00381 - 0.0089 [.000150 - .000350] ALL FOUR SIDES, 3.18 [.125] MIN. FOR -2 THRU -12. MATTE TIN PLATE AREA, .000150-.000350 THICK ALL FOUR SIDES, .125 MIN FOR -22 THRU -32.
- 15 OBSOLETE PARTS: OBSOLETE CIS STREAMLINING PER D.RENAUD/D.SINISI



FINISH	MM	IN	NO OF POSN	PART NUMBER
TIN	49.94	1.966	12	3-647143-2
TIN	45.97	1.810	11	3-647143-1
TIN	42.01	1.654	10	3-647143-0
TIN	38.05	1.498	9	2-647143-9
TIN	34.09	1.342	8	2-647143-8
TIN	30.12	1.186	7	2-647143-7
TIN	26.16	1.030	6	2-647143-6
TIN	22.20	.874	5	2-647143-5
TIN	18.24	.718	4	2-647143-4
TIN	14.27	.562	3	2-647143-3
TIN	10.31	.406	2	2-647143-2

FINISH	MM	IN	NO OF POSN	PART NUMBER
TIN-LEAD	49.94	1.966	12	1-647143-2
TIN-LEAD	45.97	1.810	11	1-647143-1
TIN-LEAD	42.01	1.654	10	1-647143-0
TIN-LEAD	38.05	1.498	9	647143-9
TIN-LEAD	34.09	1.342	8	647143-8
TIN-LEAD	30.12	1.186	7	647143-7
TIN-LEAD	26.16	1.030	6	647143-6
TIN-LEAD	22.20	.874	5	647143-5
TIN-LEAD	18.24	.718	4	647143-4
TIN-LEAD	14.27	.562	3	647143-3
TIN-LEAD	10.31	.406	2	647143-2



THIS DRAWING IS A CONTROLLED DOCUMENT.

DIMENSIONS: mm [INCHES]	TOLERANCES UNLESS OTHERWISE SPECIFIED:	DIN B. LEWIS 16 JUN 98	APVD D. CLARK 16 JUN 98	NAME
0 PLC ± -	1 PLC ± -			
2 PLC ± -	3 PLC ± .005			
4 PLC ± -	ANGLES ± 0° 30'			

MATERIAL: - FINISH: -

TE Connectivity

MTA-156 SHROUDED HEADER ASSEMBLY, STRAIGHT .045 SQUARE POST, 0.00015 GOLD, W/ RETENTION PEG

SIZE: A1 CAGE CODE: 00779 DRAWING NO: 647143 RESTRICTED TO: -

CUSTOMER DRAWING SCALE: 5:1 SHEET: 1 OF 1 REV: D

## X-ON Electronics

Largest Supplier of Electrical and Electronic Components

*Click to view similar products for [Headers & Wire Housings](#) category:*

*Click to view products by [TE Connectivity](#) manufacturer:*

Other Similar products are found below :

[95000-104TRLF](#) [10135584-644402LF](#) [DF62W-EP2022PCA](#) [95000-106TRLF](#) [DF62W-2022SCA](#) [DF62W-EP2022PC](#) [2203348](#) [DF62W-2022SC](#) [1084018](#) [1029039](#) [1084017](#) [802-10-012-10-002000](#) [1112640](#) [1112639](#) [000-34000](#) [0009482033](#) [0009507031](#) [57102-S06-03LF](#) [57202-S52-04LF](#) [PCN6-15S-2.5E](#) [0039019024](#) [58102-G61-06LF](#) [582553-1](#) [0009508121](#) [0050291907](#) [018731A](#) [LY20-4P-DT1-P1E-BR](#) [02.125.8002.8](#) [60101931](#) [60598-1 \(Cut Strip\)](#) [M1625-3R/100](#) [61062-3](#) [61082-181009](#) [636-1427](#) [638009-1](#) [641938-9](#) [641991-4](#) [644168-1](#) [647662-1](#) [65039-019ELF](#) [65817-002LF](#) [65817-015LF](#) [65863-015LF](#) [66207-023LF](#) [67016-026LF](#) [67046-001LF](#) [67095-007LF](#) [68002-116](#) [68016-236H](#) [68648-049](#)