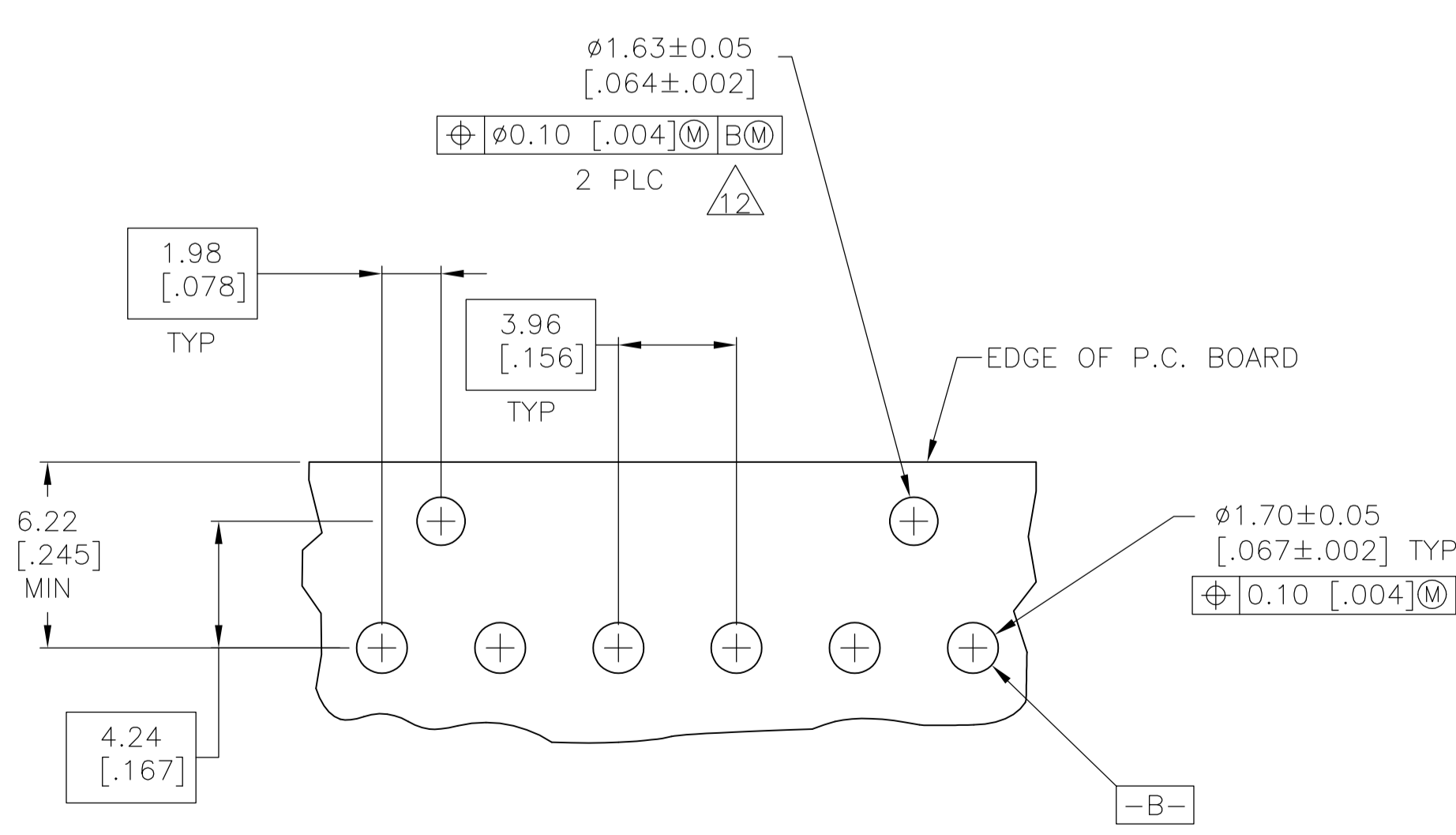
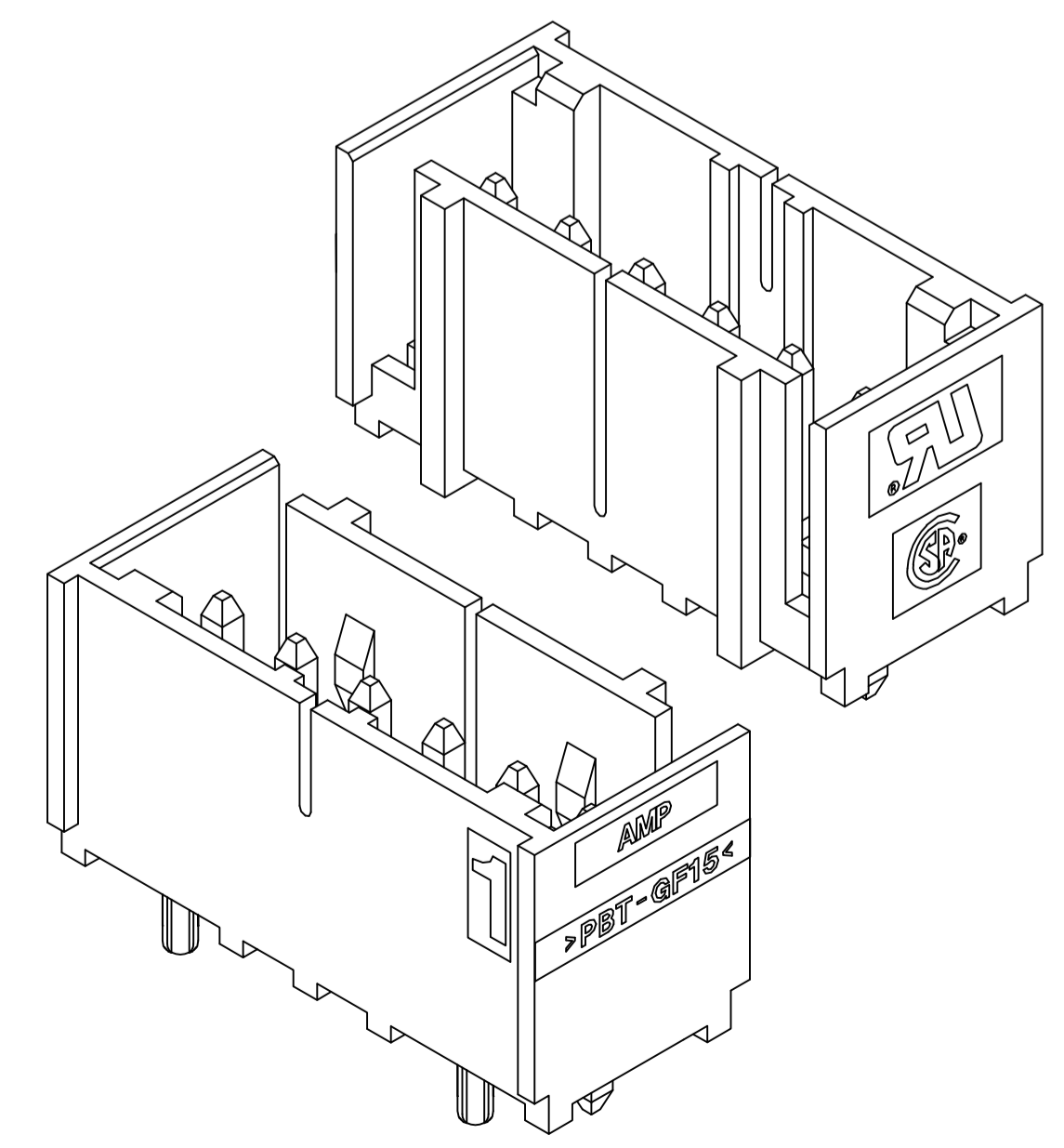
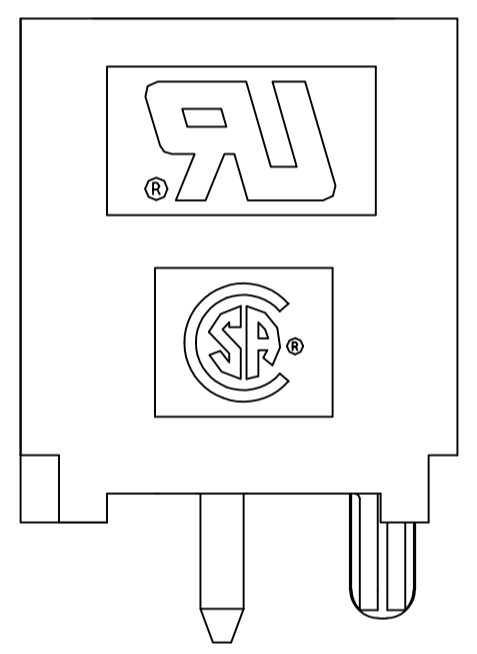
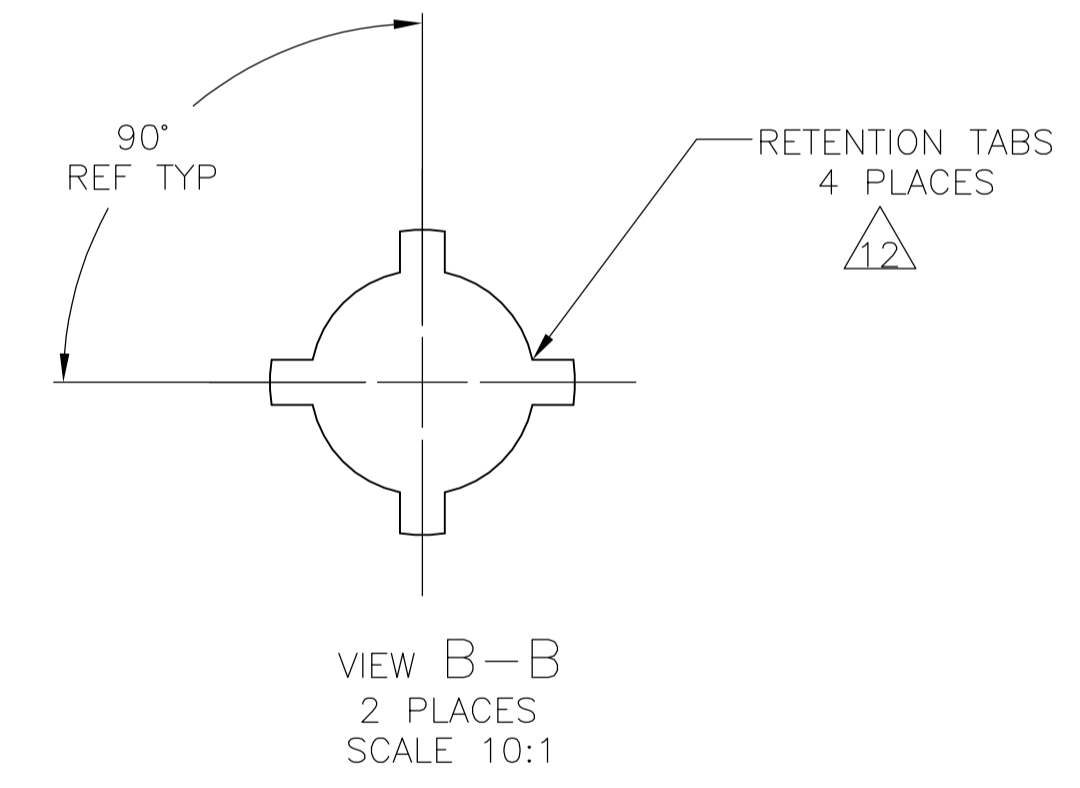
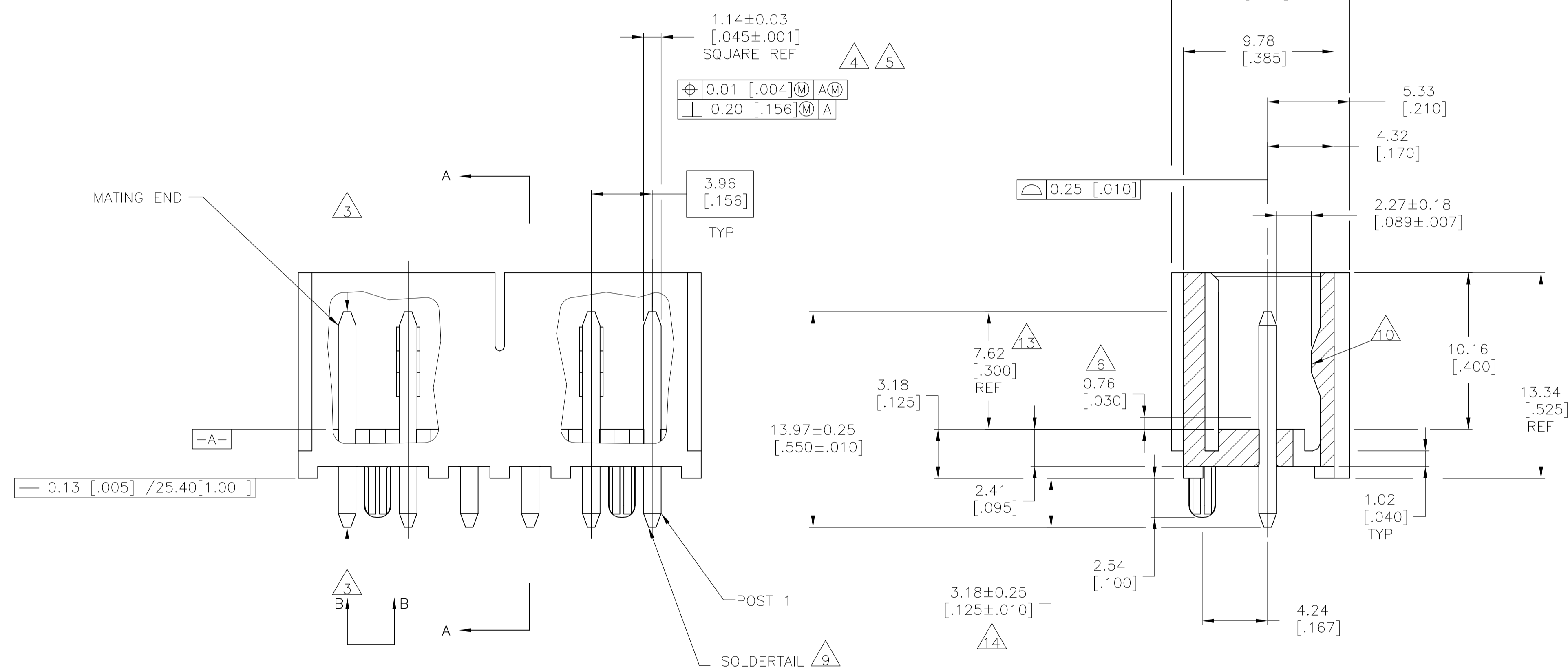


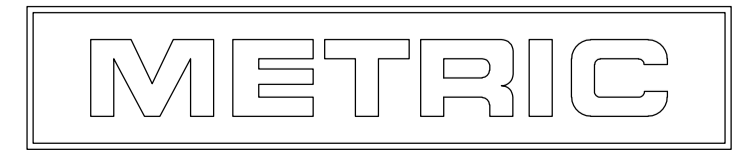
- 1 MATERIAL: HOUSING - THERMOPLASTIC POLYESTER, GLASS FILLED, UL94-0. POST - COPPER ALLOY
- 2 FINISH: HOUSING - BLACK. POST - (SEE NOTES 13 & 14 FOR PLATING).
- 3 POST TO WITHSTAND 3LBS (16N) MIN AXIAL FORCE IN THIS DIRECTION WITHOUT DISLODGING.
- 4 APPLIES AT -A-
- 5 APPLIES WHEN HEADER IS STRAIGHT.
- 6 PLASTIC PROJECTIONS PERMITTED IN THIS ZONE.
- 7 COORDINATE DIMENSIONS APPLIES FROM CENTER OF ACTUAL FEATURE.
- 8 SOLDER SIDE OF BOARD IS SHOWN.
- 9 POST SOLDER TAIL MUST COMPLY WITH AMP SOLDERABILITY SPEC 109-11-2.
- 10 LATCH DETENT FEATURE APPEARS 1 PLACE ON EACH END OF PART (MAX OF 2 PER PART) ON ALL POSITIONS 4 THRU 12. THE LATCH APPEARS ONLY ONE PLACE ON 2 & 3 POSITION PARTS.
- 11. DIMENSIONS IN BRACKETS ARE IN INCHES.
- 12 THE RETENTION TABS PROVIDE A ONE TIME INTERFERENCE FIT IN THE  $1.63$  [.064] DIAMETER P.C. BOARD HOLE FOR HEADER ASSEMBLY RETENTION DURING SOLDERING. FOUR TABS PER PEG, TWO PEGS PER HEADER ASSEMBLY (ONE PEG ONLY FOR -2 POSITION SIZE).
- 13 PLATING: GOLD PLATE AREA,  $0.00038$  [.000015] GOLD OR  $0.00008$  [.000003] MIN GOLD FLASH OVER  $0.00030$  [.000012] PALLADIUM NICKEL, PER TE CONNECTIVITY'S DISCRETION, ALL SIDES, OVER NICKEL UNDERPLATE,  $0.00127$  [.000050] MIN, ALL SIDES AND ENTIRE LENGTH OF POST.
- 14 BRIGHT TIN LEAD (93/7) PLATE AREA  $0.00381 - 0.0089$  [.000150 - .000350] ALL FOUR SIDES,  $3.18$  [.125] MIN. FOR -2 THRU -12. MATTE TIN PLATE AREA,  $0.000150 - 0.000350$  THICK ALL FOUR SIDES,  $.125$  MIN FOR -22 THRU -32.
- 15 OBSOLETE PARTS: OBSOLETE CIS STREAMLINING PER D.RENAUD/D.SINISI



FINISH	MM	IN	NO OF POSN	PART NUMBER
TIN	49.94	1.966	12	3-647143-2
TIN	45.97	1.810	11	3-647143-1
TIN	42.01	1.654	10	3-647143-0
TIN	38.05	1.498	9	2-647143-9
TIN	34.09	1.342	8	2-647143-8
TIN	30.12	1.186	7	2-647143-7
TIN	26.16	1.030	6	2-647143-6
TIN	22.20	.874	5	2-647143-5
TIN	18.24	.718	4	2-647143-4
TIN	14.27	.562	3	2-647143-3
TIN	10.31	.406	2	2-647143-2

FINISH	MM	IN	NO OF POSN	PART NUMBER
TIN-LEAD	49.94	1.966	12	1-647143-2
TIN-LEAD	45.97	1.810	11	1-647143-1
TIN-LEAD	42.01	1.654	10	1-647143-0
TIN-LEAD	38.05	1.498	9	647143-9
TIN-LEAD	34.09	1.342	8	647143-8
TIN-LEAD	30.12	1.186	7	647143-7
TIN-LEAD	26.16	1.030	6	647143-6
TIN-LEAD	22.20	.874	5	647143-5
TIN-LEAD	18.24	.718	4	647143-4
TIN-LEAD	14.27	.562	3	647143-3
TIN-LEAD	10.31	.406	2	647143-2

RECOMMENDED MOUNTING HOLE PATTERN FOR 1.57 [.062] THICK P.C. BOARD



THIS DRAWING IS A CONTROLLED DOCUMENT.

DIMENSIONS: mm [INCHES]	TOLERANCES UNLESS OTHERWISE SPECIFIED:	DIN B. LEWIS 16 JUN 98	APVD D. CLARK 16 JUN 98	NAME
0 PLC ± -	1 PLC ± -			
2 PLC ± -	3 PLC ± .005			
4 PLC ± -	ANGLES ± 0° 30'			

MATERIAL: - FINISH: -

MTA-156 SHROUDED HEADER ASSEMBLY, STRAIGHT .045 SQUARE POST, 0.00015 GOLD, W/ RETENTION PEG

SIZE: A1 CAGE CODE: 00779 DRAWING NO: 647143

WEIGHT: - RESTRICTED TO: -

CUSTOMER DRAWING SCALE: 5:1 SHEET: 1 OF 1 REV: D

## X-ON Electronics

Largest Supplier of Electrical and Electronic Components

*Click to view similar products for [TE Connectivity](#) manufacturer:*

Other Similar products are found below :

[D38999/24FJ4AN](#) [570416-000](#) [CLTEQ-M81CE-SSRELAY-4-20V](#) [4-1195131-0](#) [650069-000](#) [SMD100-2](#) [358838-000](#) [CB-1022B-78](#)  
[RM707012](#) [RP410012](#) [MMS42](#) [1-640426-8](#) [2EDL4CM](#) [DTS20W19-11PD-3028-LC](#) [RM202615](#) [NC6-P104-06](#) [MSPS103B](#) [DTS26F21-](#)  
[41HE-LC](#) [DTS26F21-41AE](#) [DTS26F21-41PE-LC](#) [DTS26F21-11SE-3028-LC](#) [30DCB6](#) [1932144-1](#) [293545-4](#) [LVR125S](#) [MS27466T25F4PB](#)  
[CKB-38-78010](#) [TR04AI-TINELLOCKRING](#) [1206SFF150F/63-2](#) [D38999/20JB35HA](#) [TE1500A2R2J](#) [D38999/20WC8BB](#) [DTS24F19-11SC-](#)  
[3028-LC](#) [D38999/24WG11HA](#) [D38999/24WG11HN](#) [MS27467T21F11H](#) [DJT16E21-11HA](#) [MS27467T21F35J](#) [MS27467T21F11J](#)  
[MS27467T21F16H-LC](#) [MS27467T21F35H](#) [MS27467T21F41H-LC](#) [1206SFH150F/24-2](#) [RP330024](#) [DJT16E21-11PA-LC](#) [DJT16E21-11HA-](#)  
[LC](#) [DJT16E21-11AA](#) [MS27467T21B11JA](#) [DJT16E21-11JA](#) [MS27467T21B11JA-LC](#)