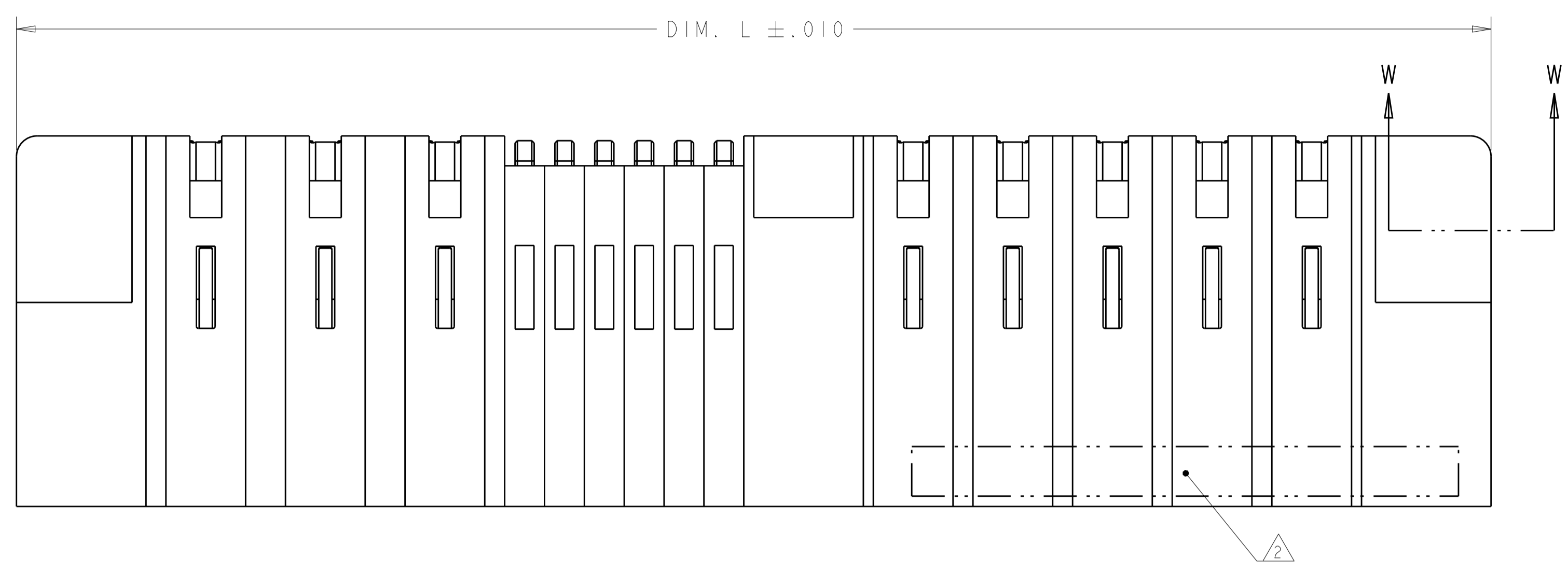
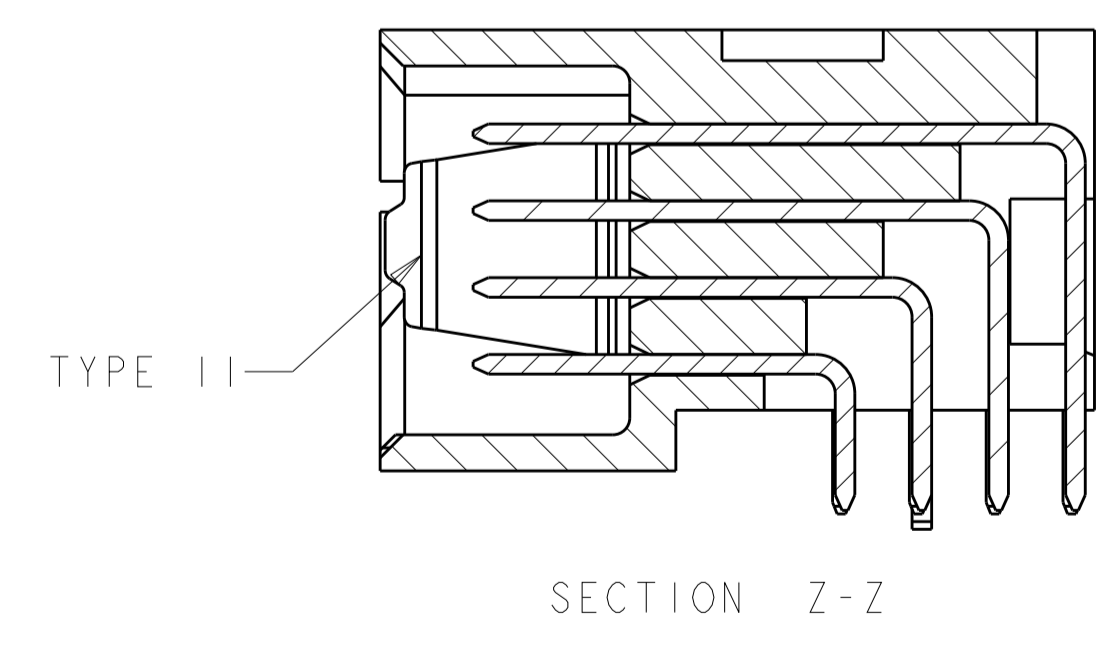
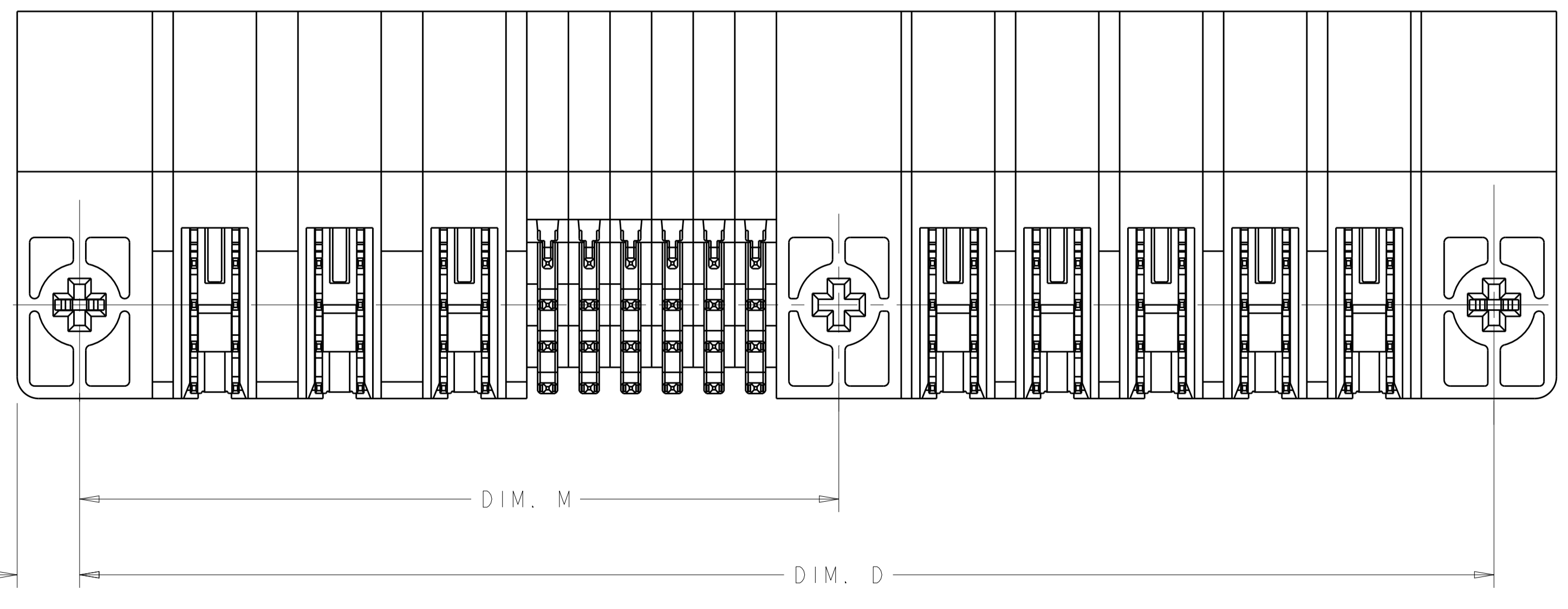
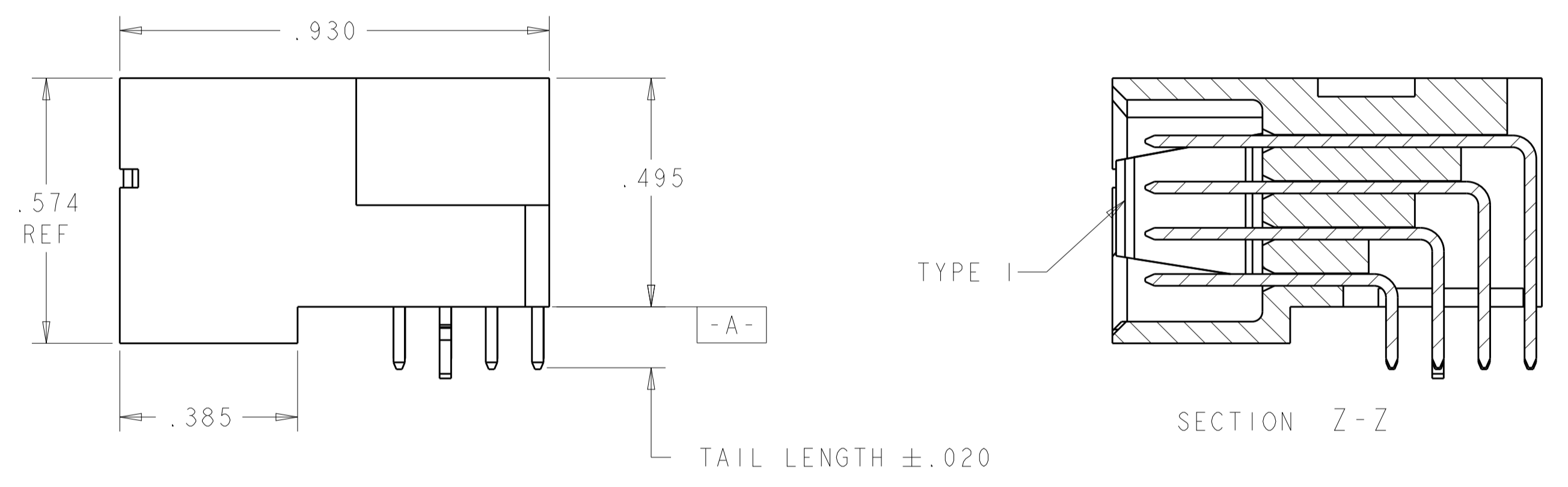
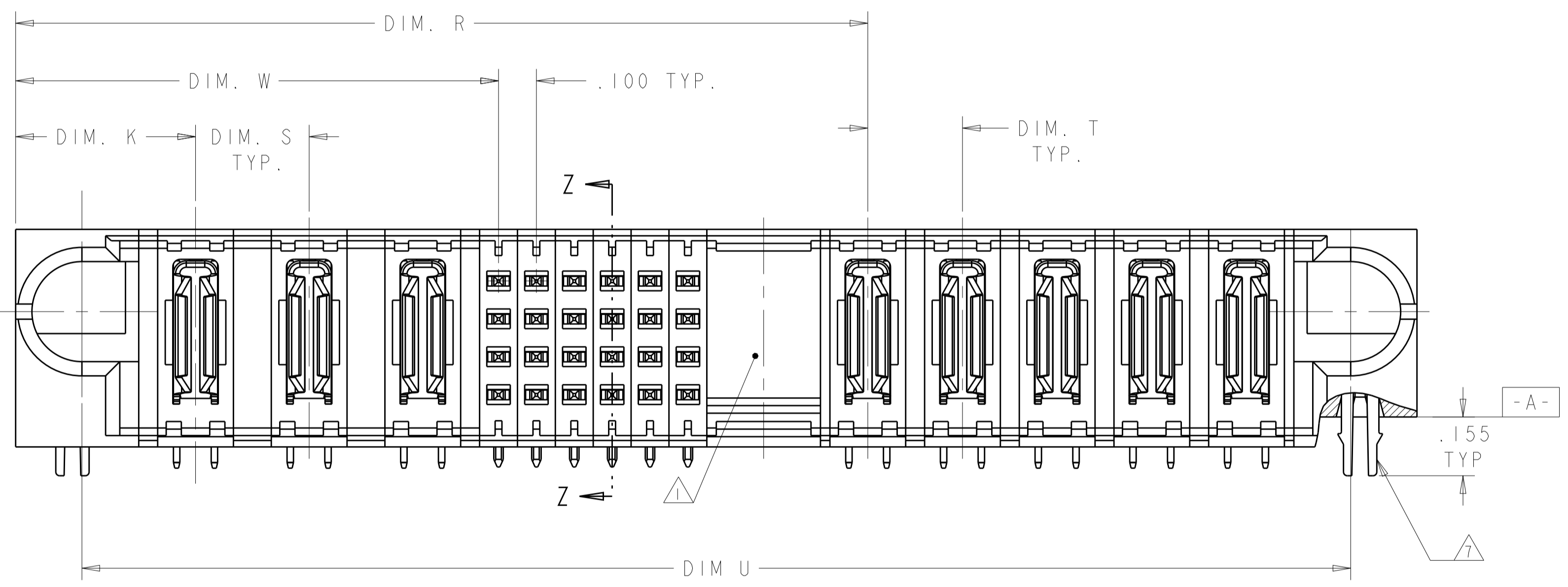


REVISIONS				
P.	LTN	DESCRIPTION	DATE	OWN APVD
F1		ADD NEW DASH NUMBER 2-4	05JAN2014	CZ SZ
F2		ADD NEW DASH NUMBER 2-5	05MAR2015	CZ SZ
F3		ADD NEW DASH NUMBER 2-6	24MAR2015	CZ SZ
F4		ADD NEW DASH NUMBER 2-7	20DEC2017	CZ SZ



- △ OPTIONAL CENTER MODULE WITH Ø.150 THRU HOLE OR HOLD DOWN FEATURE.
- △ "AMP", PART NUMBER, AND DATE CODE TO BE MARKED IN AREA SHOWN. PARTS UNDER 2.00 LONG MAY BE MARKED ON BOTH SIDES.
- △ MATERIAL: HOUSING - GLASS FILLED HIGH TEMP THERMO PLASTIC, UL94 V-0
 SIGNAL CONTACT - COPPER ALLOY
 POWER CONTACT - HIGH CONDUCTIVITY COPPER ALLOY
- △ CONTACT PLATING: NOBLE METAL PLATING ON CONTACT FUNCTIONAL AREA
- △ MECHANICAL CONNECTOR KEEP OUT ZONE.
- △ DATUM AND BASIC DIMENSIONS ESTABLISHED BY CUSTOMER.
- △ HOLD DOWN SEATING DEPTH DIMENSION FOR 1450130-4 IS .185 TYP
- △ PCB - ALL HOLE DIAMETERS ARE FINISHED HOLE SIZES.
- △ PCB - .0453 +/- .0010 DRILLED HOLES PLATES WITH .0003 MIN Sn OVER .001 TO .003 Cu PLATING TO ACHIEVE A .040±.003 DIA HOLE.
- △ VARIABLE DIMENSIONS SHOWN ON VIEW (SHEET 4).




THIS DRAWING IS A CONTROLLED DOCUMENT.		OWN R. GRZYBOWSKI CHK M. PERCHERKE APVD M. PERCHERKE	OTMAROS OTMAROS	TE Connectivity
DIMENSIONS: INCHES		NAME RIGHT ANGLE HEADER ASSEMBLY DUAL BEAM POWER CONTACT MULTI-BEAM XL		
DIMENSIONS: 0 PLC ±. 1 PLC ±.01 2 PLC ±.01 3 PLC ±.005 4 PLC ±.0020 ANGLES ±.2°		PRODUCT SPEC 108-1973 APPLICATION SPEC 114-13038 WEIGHT -		SIZE A1 CAGE CODE - DRAWING NO. C=6600130
MATERIAL 3		FINISH 4		RESTRICTED TO - SCALE 4:1 SHEET 1 OF 13 REV F5 CUSTOMER DRAWING

THIS DRAWING IS UNPUBLISHED. RELEASED FOR PUBLICATION 20
 © COPYRIGHT 20 BY - ALL RIGHTS RESERVED.

REVISIONS				
P.	LTN	DESCRIPTION	DATE	APVD
-	-	SEE SHEET 1	-	-

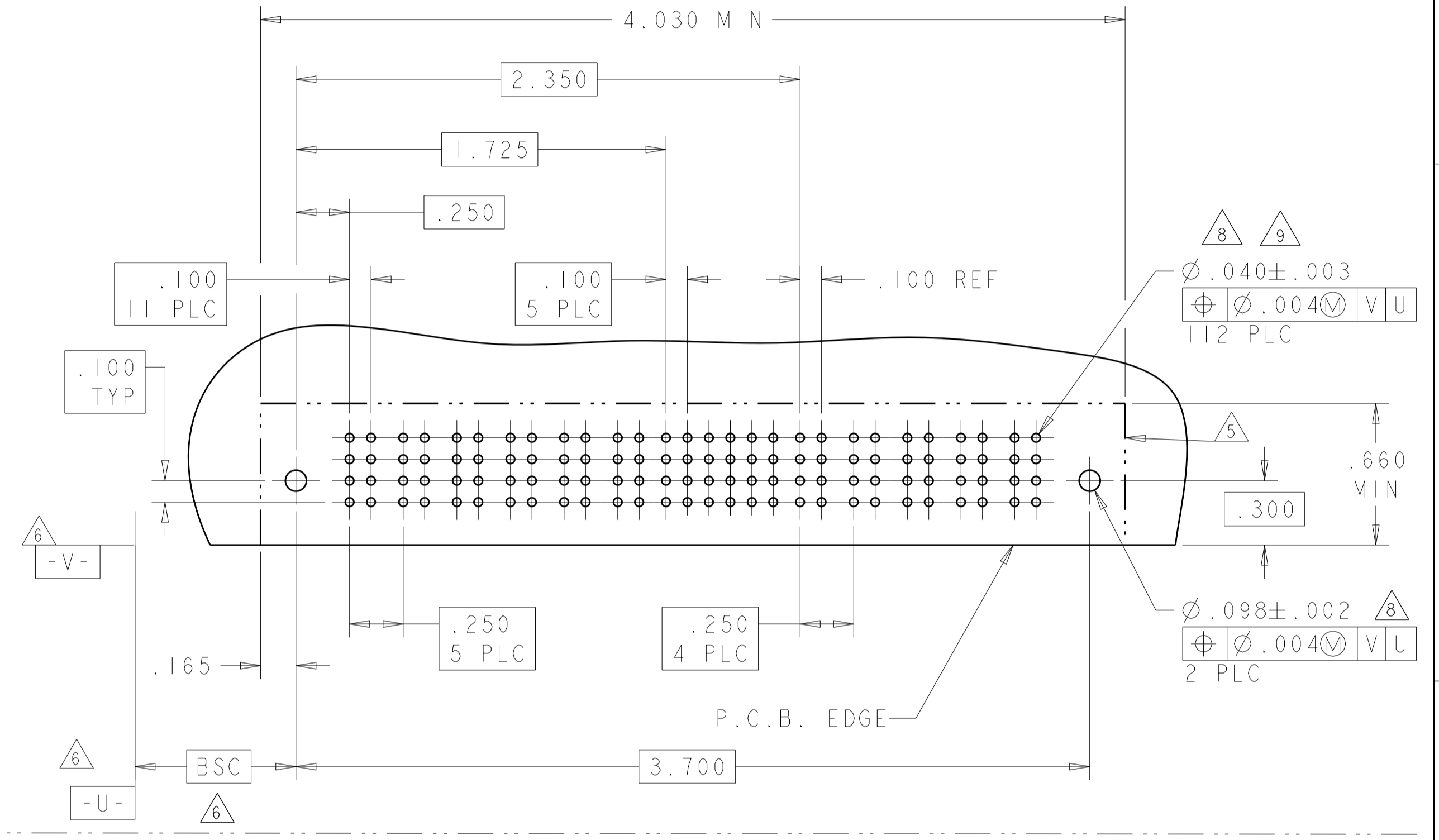
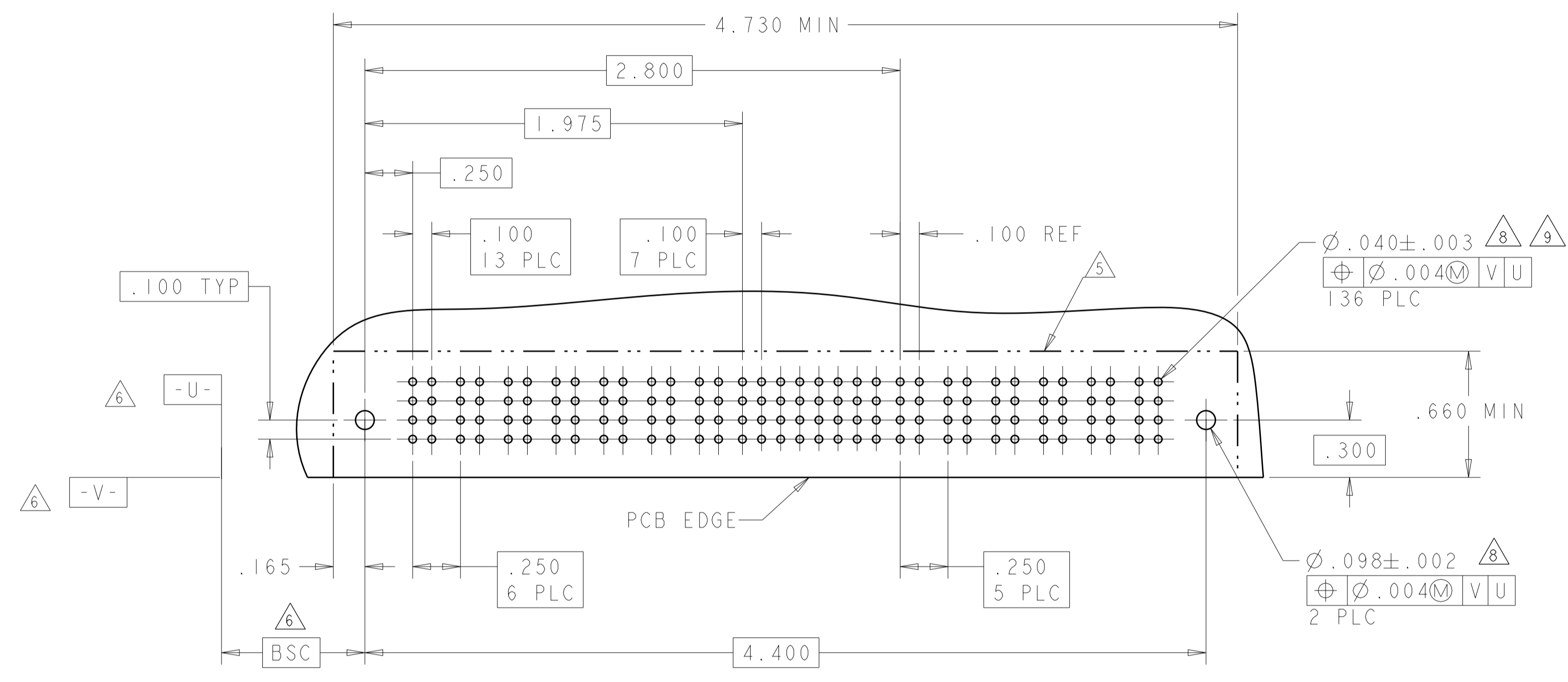
PWR CON TYPE	DIM U	DIM S	DIM T	DIM R	DIM W	DIM D	DIM M	DIM L	DIM K	DESCRIPTION	PART NUMBER
I	2.850	.300	.200	2.125	1.825	2.900	-	3.200	.450	7HDP + 8S + 3ACP	2-6600130-7
I	1.900	.300	.250	1.550	1.275	1.950	-	2.250	.475	3ACP + 8S + 2P	2-6600130-6
I	1.700	.250	.250	1.350	.875	1.750	-	2.050	.450	2P + 16S + 2P	2-6600130-5
I	1.800	.300	.300	1.375	1.025	1.850	-	2.150	.475	2ACP + 8S + 2ACP	2-6600130-4
I	2.400	.250	.250	1.550	.875	2.450	-	2.750	.450	2P + 24S + 4P	2-6600130-2
I	2.300	.200	.200	1.650	1.225	2.350	-	2.650	.450	4P + 12S + 4P	2-6600130-1
I	2.200	.250	.250	1.350	.875	2.250	-	2.550	.450	2P + 16S + 4P	2-6600130-0
I	2.325	.300	.250	1.975	1.600	2.375	-	2.675	.450	4ACP + 12S + 2P	1-6600130-9
I	2.900	.250	.250	2.050	1.375	2.950	-	3.250	.450	4P + 24S + 4P	1-6600130-8
I	4.400	.250	.250	2.800	2.125	4.450	-	4.750	.450	7P + 24S + 7P	1-6600130-7
I	5.400	.250	.250	3.300	2.625	5.450	-	5.750	.450	9P + 24S + 9P	1-6600130-6
I	2.200	.250	.250	1.350	.875	2.250	-	2.550	.450	2P + 16S + 4P	1-6600130-5
I	2.500	.250	.250	2.150	1.425	2.550	-	2.850	.450	4P + 24S + 2P	1-6600130-4
I	2.800	Δ	.250	2.450	1.975	2.850	-	3.150	.450	6P + 16S + 2P	1-6600130-3
II	3.200	.200	.200	2.125	1.575	3.250	-	3.550	.425	6P + 20S + 6P	1-6600130-1
I	5.450	Δ	Δ	3.075	2.425	5.500	-	5.800	.425	10P + 24S + 12P	6600130-8
I	3.650	.250	.250	2.550	1.875	3.700	-	4.000	.450	6P + 24S + 5P	6600130-6
I	4.350	.250	.250	3.000	2.125	4.400	-	4.700	.450	7P + 32S + 6P	6600130-5
I	5.100	.250	.250	3.250	2.375	5.150	-	5.450	.450	8P + 32S + 8P	6600130-4
I	7.400	.250	.250	5.050	2.875	7.450	-	7.750	.450	10P + 84S + 10P	6600130-3
I	3.300	.300	.250	1.950	1.275	3.350	-	3.650	.475	3ACP + 24S + 6P	6600130-2
I	3.050	.300	.250	1.950	1.275	3.100	-	3.400	.475	3ACP + 24S + 5P	6600130-1

THIS DRAWING IS A CONTROLLED DOCUMENT.		OWN R. GRZYBOWSKI	OTIMAROS		TE Connectivity	
DIMENSIONS: INCHES		CHK M. PERCHERKE	OTIMAROS		NAME RIGHT ANGLE HEADER ASSEMBLY DUAL BEAM POWER CONTACT MULTI-BEAM XL	
TOLERANCES UNLESS OTHERWISE SPECIFIED:		APVD M. PERCHERKE	-	PRODUCT SPEC 108-1973		
0 PLC ±. 2 PLC ±.01 3 PLC ±.005 4 PLC ±.0020		APPLICATION SPEC 114-13038		SIZE A1		
ANGLES FINISH		WEIGHT		CAGE CODE 6600130		
MATERIAL		CUSTOMER DRAWING		SCALE 4:1		
				SHEET 2 OF 13		
				REV F5		

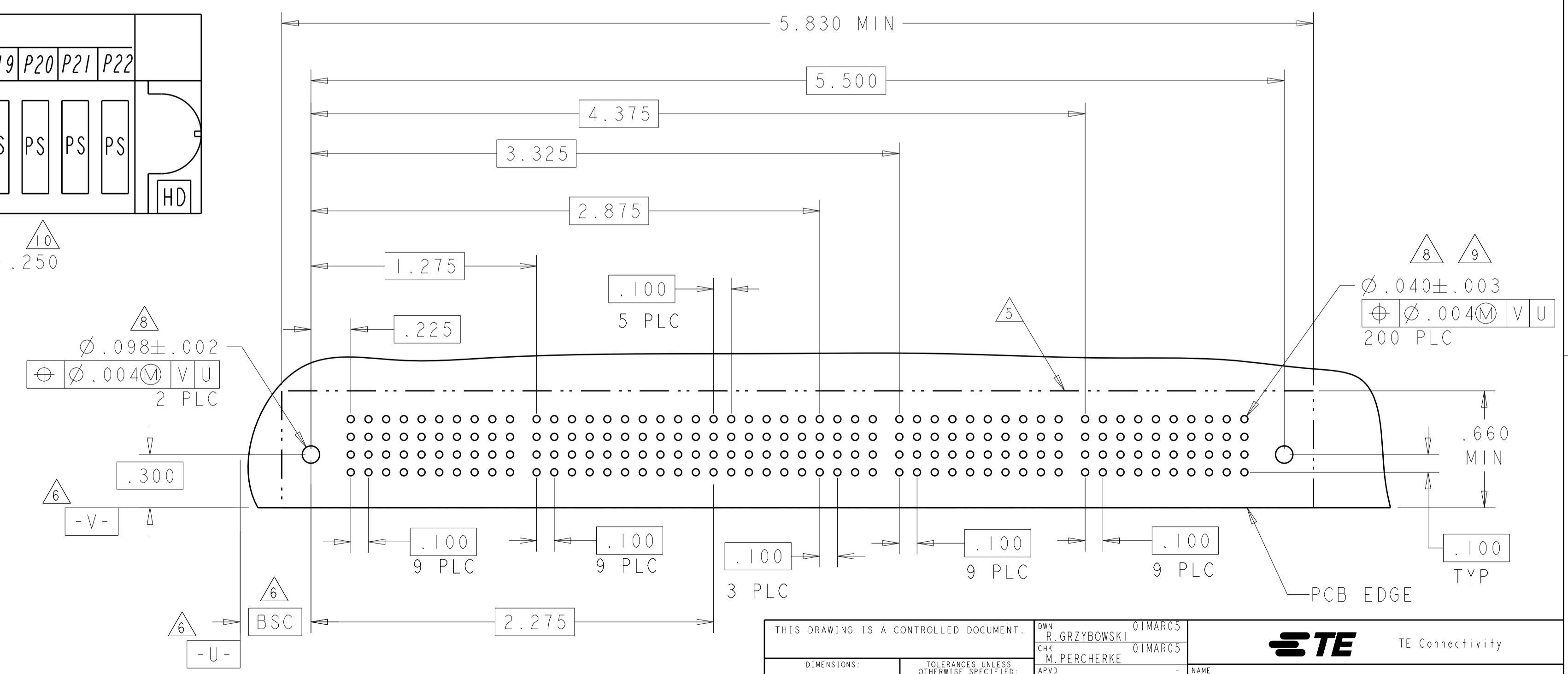
REVISIONS				
P. LTR.	DESCRIPTION	DATE	OWN	APVD
-	SEE SHEET 1	-	-	-

PART NUMBER	ROWS	POWER							SIGNAL								POWER				
		P1	P2	P3	P4	P5	P6	P7	1	2	3	4	5	6	7	8	P8	P9	P10	P11	P12
6600130-5	D C B A	PS	PS	PS	PS	PS	PS	J	J	J	J	E	J	J	J	PS	PS	PS	PS	PS	PS
								K	K	F	K	K	K	K							
								N	N	N	N	N	G	N	N						
7P + 32S + 6P		HD		HD		HD		HD		HD		HD		HD		HD					

PART NUMBER	ROWS	POWER						SIGNAL						POWER				
		P1	P2	P3	P4	P5	P6	1	2	3	4	5	6	P7	P8	P9	P10	P11
6600130-6	D C B A	PS	PS	PS	PS	PS	J	J	J	J	E	J	PS	PS	PS	PS	PS	
							K	K	F	K	K	K						
							N	N	N	N	N	G						
6P + 24S + 5P		HD		HD		HD		HD		HD		HD		HD				



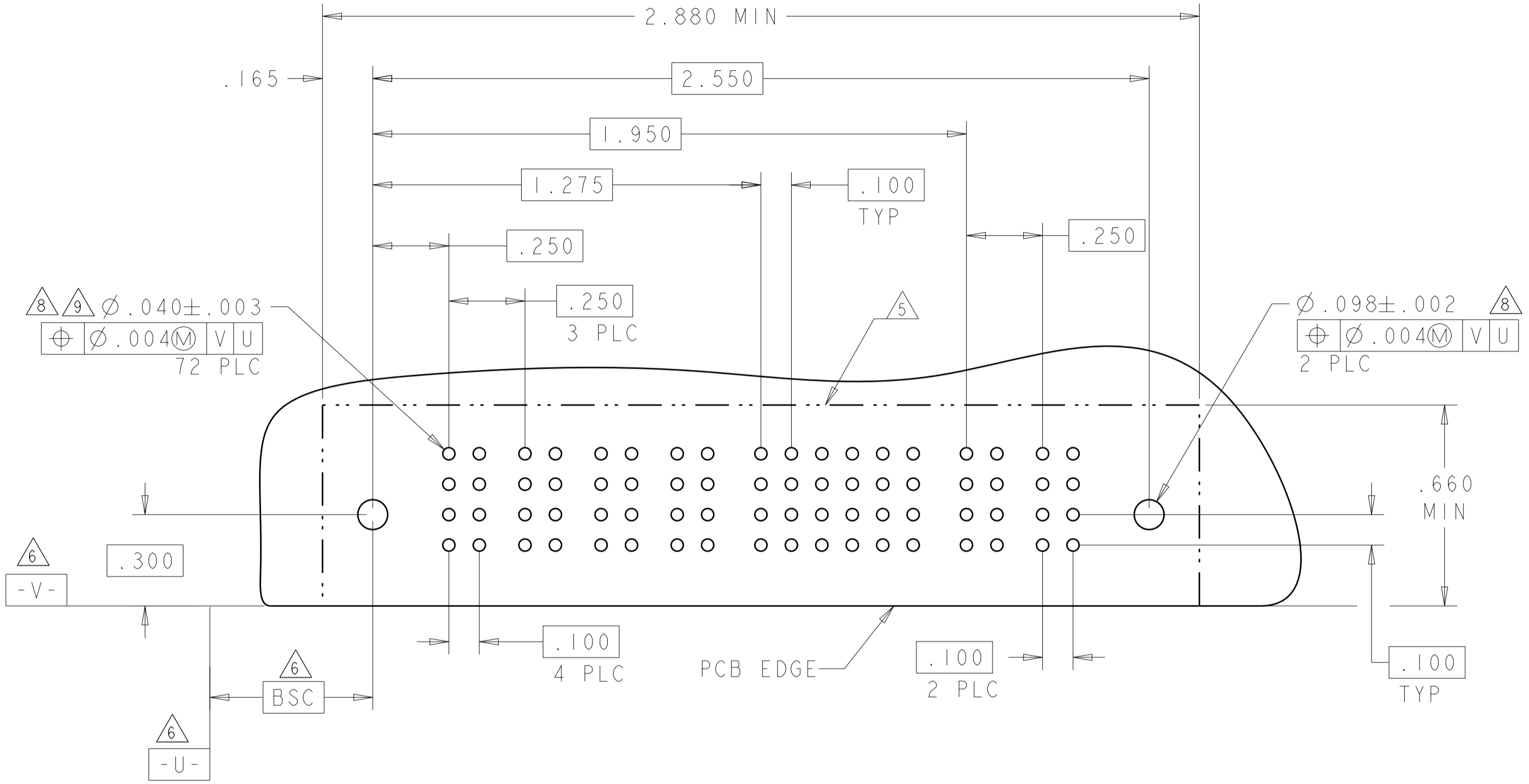
PART NUMBER	ROWS	POWER										SIGNAL						POWER									
		P1	P2	P3	P4	P5	P6	P7	P8	P9	P10	1	2	3	4	5	6	P11	P12	P13	P14	P15	P16	P17	P18	P19	P20
6600130-8	D C B A	PS	PS	PS	PS	PS	PS	PS	PS	PS	J	J	J	J	J	J	PS	PS	PS	PS	PS	PS	PS	PS	PS	PS	PS
											K	K	K	K	K	K											
											N	N	N	N	N	N											
10P + 24S + 12P		HD		HD		HD		HD		HD		HD		HD		HD		HD		HD		HD		HD			



THIS DRAWING IS A CONTROLLED DOCUMENT.

DIMENSIONS: INCHES 	TOLERANCES UNLESS OTHERWISE SPECIFIED: 0 PLC ±. 1 PLC ±.01 2 PLC ±.01 3 PLC ±.005 4 PLC ±.002 ANGLES ±.0020 FINISH	OWN: R. GRZYBOWSKI CHK: M. PERCHERKE APVD: M. PERCHERKE PRODUCT SPEC: 108-1973 APPLICATION SPEC: 114-13038 WEIGHT: - CUSTOMER DRAWING	DTIMAROS DTIMAROS NAME: RIGHT ANGLE HEADER ASSEMBLY DUAL BEAM POWER CONTACT MULTI-BEAM XL SIZE: A1 CAGE CODE: - DRAWING NO: 6600130 SHEET 5 OF 13 REV F5 SCALE: 4:1
---------------------------	-----------------------------------------------------------------------------------------------------------------------------------------	---------------------------------------------------------------------------------------------------------------------------------------------------------	---------------------------------------------------------------------------------------------------------------------------------------------------------------------------------------------------

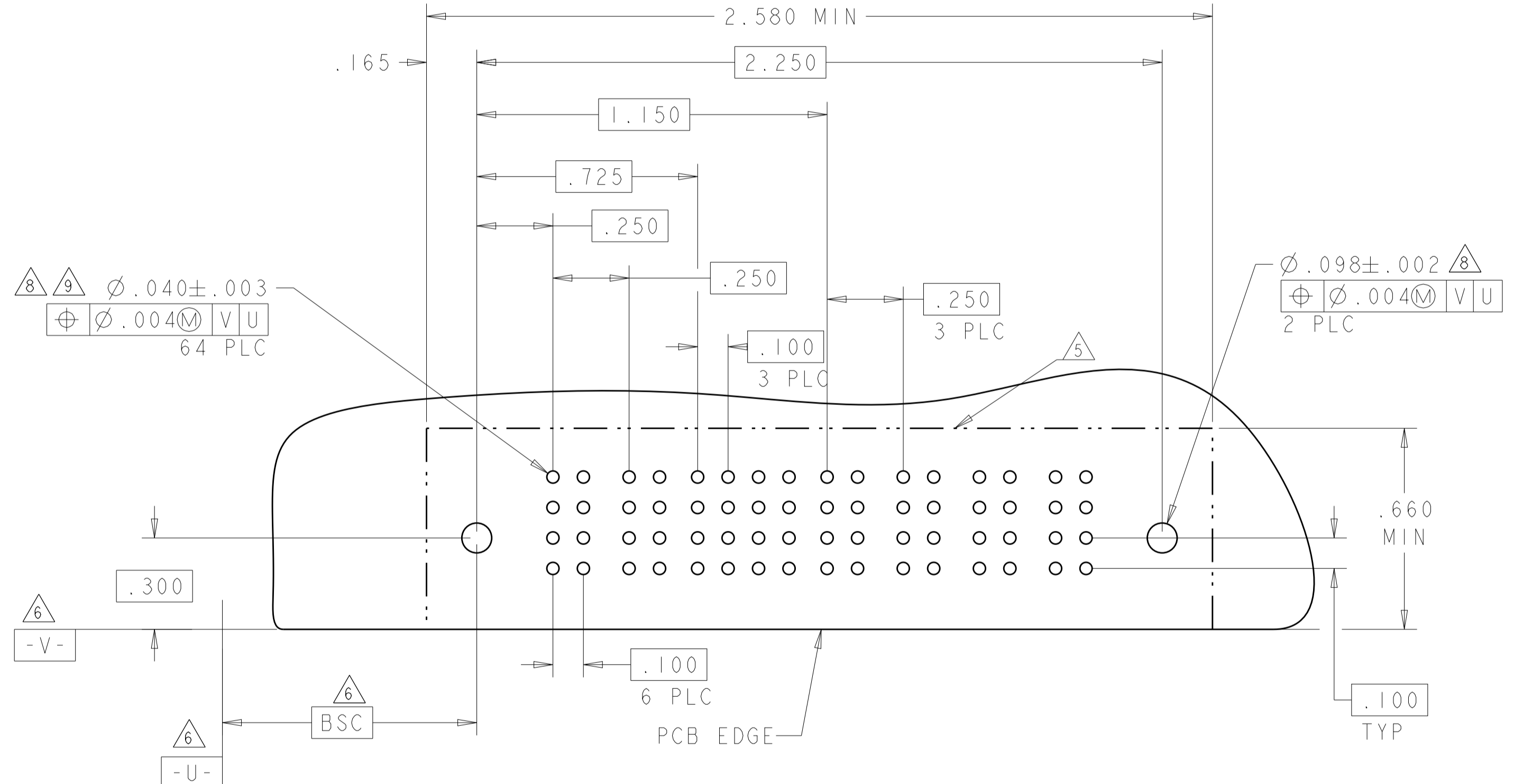
PART NUMBER	ROWS	POWER				SIGNAL						POWER	
		P1	P2	P3	P4	1	2	3	4	5	6	P5	P6
1-6600130-4	D C B A	PS	PS	PS	PS	J	J	J	J	J	J	PS	PS
						K	K	K	K	K	K		
						N	N	N	N	N	N		
4P + 24S + 2P						S	S	S	S	S	S		



REVISIONS				
P. LTM	DESCRIPTION	DATE	OWN	APVD
-	SEE SHEET 1	-	-	-

PART NUMBER	ROWS	POWER		SIGNAL				POWER			
		P1	P2	1	2	3	4	P5	P6	P5	P6
1-6600130-5	D C B A	PS	PS	J	J	J	J	PS	PS	PS	PS
				K	K	K	K				
				N	N	N	N				
2P + 24S + 4P				S	S	S	S				

PART NUMBER	ROWS	POWER		SIGNAL				POWER			
		P1	P2	1	2	3	4	P5	P6	P5	P6
2-6600130-0	D C B A	PS	PS	J	J	J	J	PS	PS	PS	PS
				K	K	K	K				
				N	N	N	N				
2P + 16S + 4P				S	S	S	S				

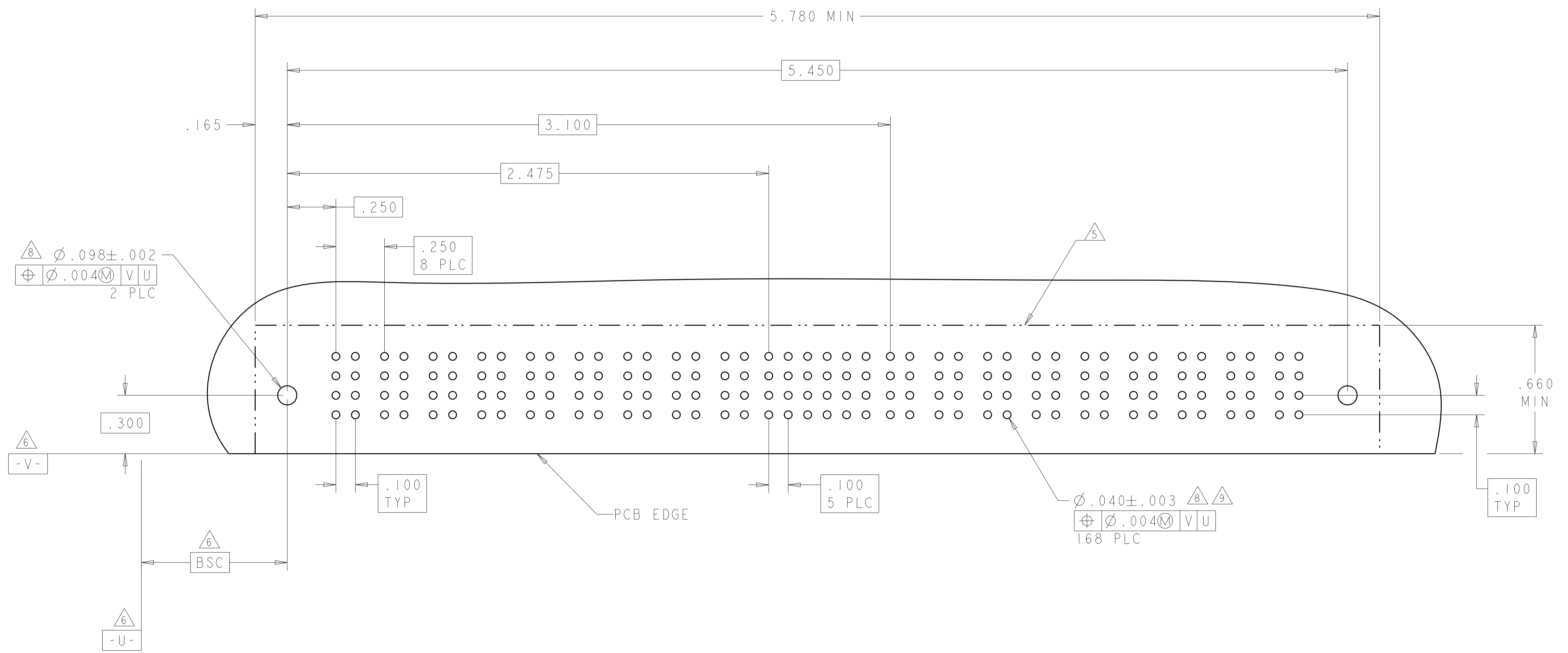


1-6600130-5 AND 2-66600130-0 PCB LAYOUT

THIS DRAWING IS A CONTROLLED DOCUMENT.		OWN: R. GRZYBOWSKI CHK: M. PERCHERKE APVD: M. PERCHERKE	OTIMAROS OTIMAROS	 TE Connectivity
DIMENSIONS: INCHES	TOLERANCES UNLESS OTHERWISE SPECIFIED:	NAME: RIGHT ANGLE HEADER ASSEMBLY PRODUCT SPEC: 108-1973 APPLICATION SPEC: 114-13038 WEIGHT: - MATERIAL: - FINISH: -		
DIMENSIONS: 0 PLC ± 1 PLC ±.01 2 PLC ±.01 3 PLC ±.005 4 PLC ±.0020 ANGLES ±.2°		CUSTOMER DRAWING SCALE: 4:1 SHEET 7 OF 13 REV: F5		RESTRICTED TO

REVISIONS				
P.	LTN.	DESCRIPTION	DATE	APVD.
-	-	SEE SHEET 1	-	-

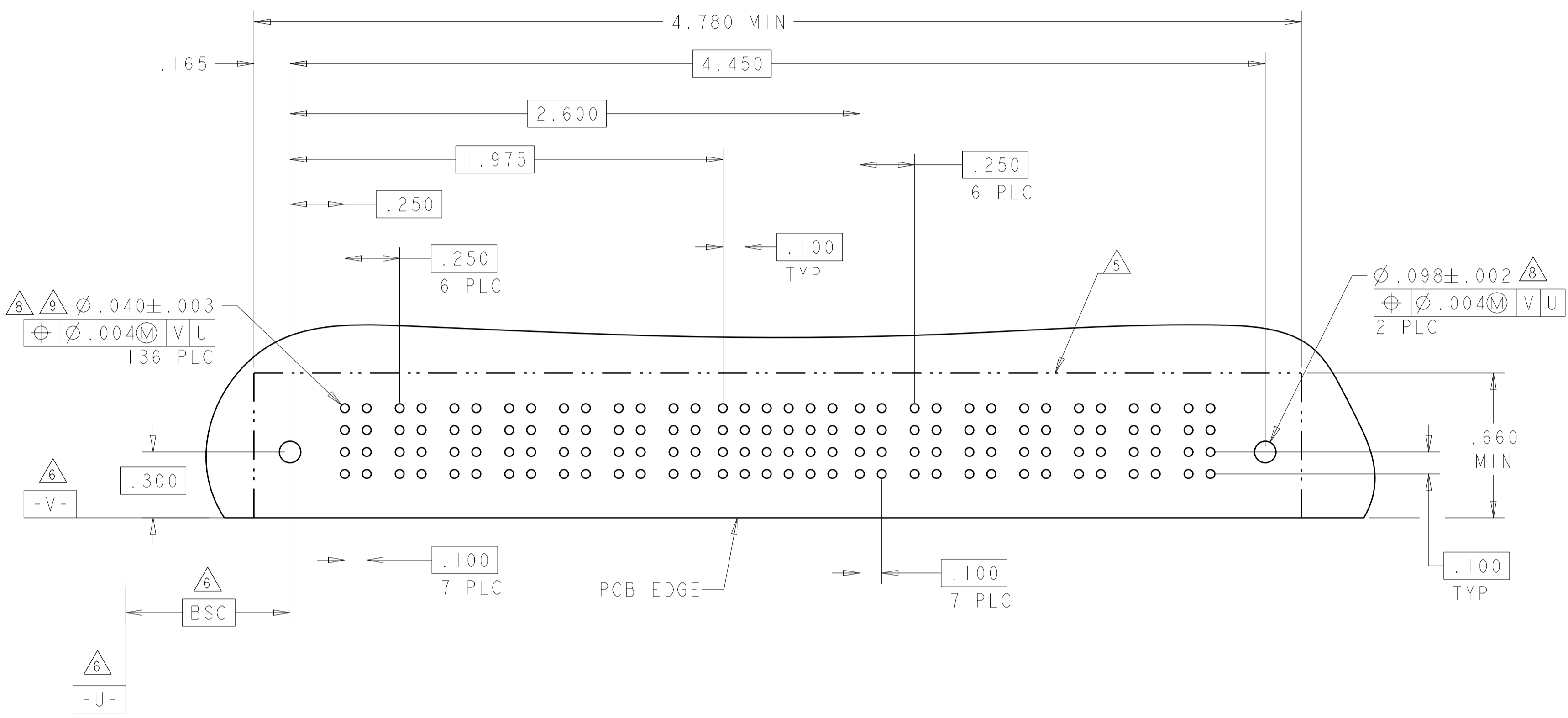
PART NUMBER	ROWS	POWER									SIGNAL						POWER								
		P1	P2	P3	P4	P5	P6	P7	P8	P9	1	2	3	4	5	6	P10	P11	P12	P13	P14	P15	P16	P17	P18
1-6600130-6	D	PS	PS	PS	PS	PS	PS	PS	PS	PS	J	J	J	J	J	J	PS	PS	PS	PS	PS	PS	PS	PS	PS
	K										K	K	K	K	K										
	N										N	N	N	N	N										
A	HD	S	S	S	S	S	S	S	S	S	S	S	S	S	S	HD									
9P + 24S + 9P																									



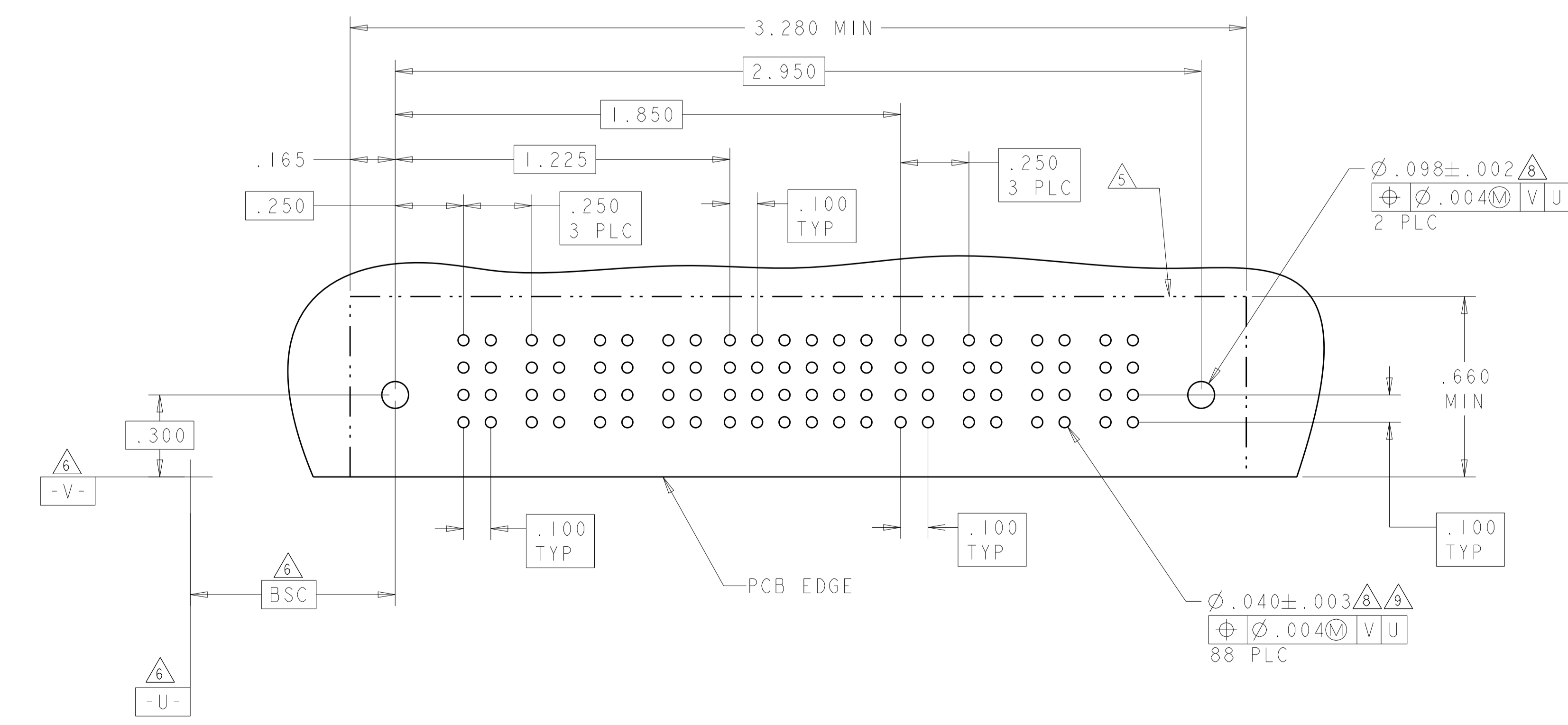
THIS DRAWING IS A CONTROLLED DOCUMENT.

DWN: B. GRZYBOWSKI	OTMAROS	TE Connectivity
CHK: M. PERCHERKE	OTMAROS	
APVD: M. PERCHERKE	OTMAROS	NAME: RIGHT ANGLE HEADER ASSEMBLY
TOLERANCES UNLESS OTHERWISE SPECIFIED:		PRODUCT SPEC: 108-1973
DIMENSIONS: INCHES		APPLICATION SPEC: 114-13038
0 PLC ±. 1 PLC ±.01 2 PLC ±.01 3 PLC ±.005 4 PLC ±.0020 ANGLES ±.2°		SIZE: A1
MATERIAL: -	FINISH: -	WEIGHT: -
CUSTOMER DRAWING		SCALE: 4:1
SHEET: 8		OF: 13
REV: F5		RESTRICTED TO: -

REVISIONS				
P.	LTN.	DESCRIPTION	DATE	APVD.
-	-	SEE SHEET 1	-	-



PART NUMBER	ROWS	POWER							SIGNAL						POWER						
		P1	P2	P3	P4	P5	P6	P7	1	2	3	4	5	6	P8	P9	P10	P11	P12	P13	P14
1-6600130-7	D C B A	PS	PS	PS	PS	PS	PS	PS	J	J	J	J	J	J	PS	PS	PS	PS	PS	PS	PS
		PS	PS	PS	PS	PS	PS	PS	K	K	K	K	K	K	PS	PS	PS	PS	PS	PS	PS
		PS	PS	PS	PS	PS	PS	PS	N	N	N	N	N	N	PS	PS	PS	PS	PS	PS	PS
		PS	PS	PS	PS	PS	PS	PS	S	S	S	S	S	S	PS	PS	PS	PS	PS	PS	PS
7P + 24S + 7P																					



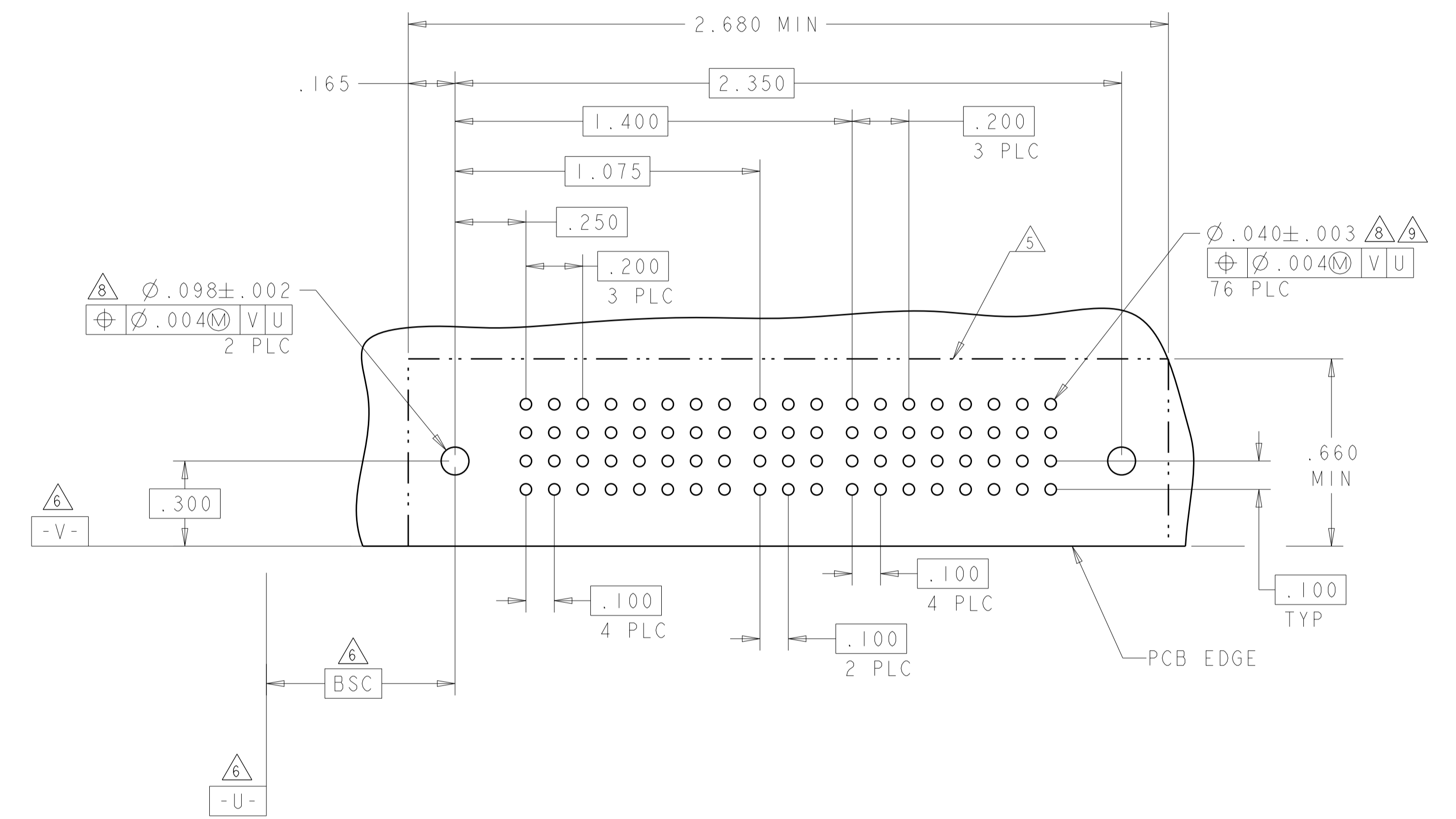
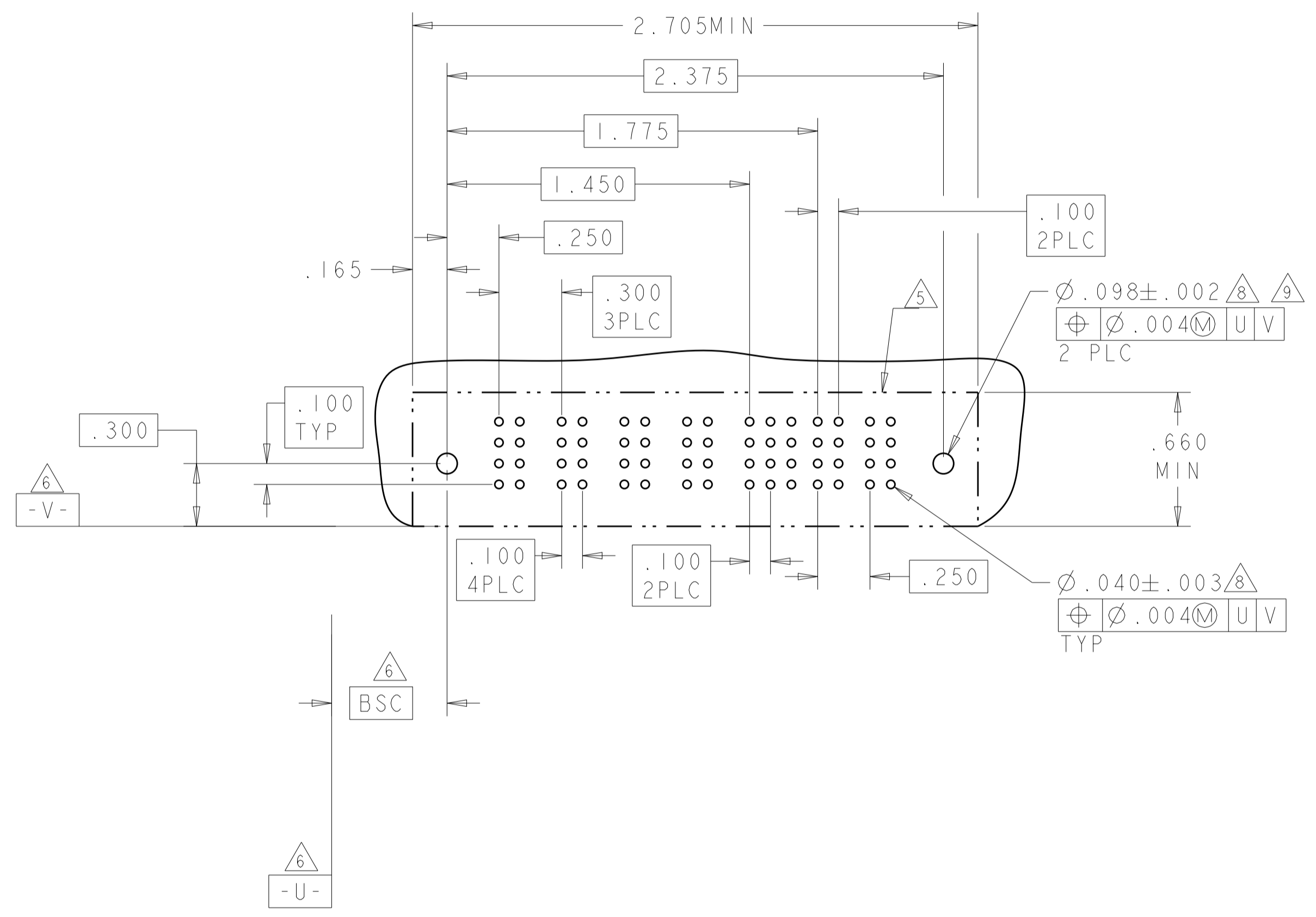
PART NUMBER	ROWS	POWER				SIGNAL						POWER			
		P1	P2	P3	P4	1	2	3	4	5	6	P5	P6	P7	P8
1-6600130-8	D C B A	PS	PS	PS	PS	J	J	J	J	J	J	PS	PS	PS	PS
		PS	PS	PS	PS	K	K	K	K	K	K	PS	PS	PS	PS
		PS	PS	PS	PS	N	N	N	N	N	N	PS	PS	PS	PS
		PS	PS	PS	PS	S	S	S	S	S	S	PS	PS	PS	PS
4P + 24S + 4P															

THIS DRAWING IS A CONTROLLED DOCUMENT.		DWN: R. GRZYBOWSKI CHK: M. PERCHERKE APVD: M. PERCHERKE	DIMENSIONS: INCHES TOLERANCES UNLESS OTHERWISE SPECIFIED: 0 PLC ±. 2 PLC ±.01 3 PLC ±.005 4 PLC ±.0020 ANGLES ±.2° FINISH:	NAME: RIGHT ANGLE HEADER ASSEMBLY DUAL BEAM POWER CONTACT MULTI-BEAM XL PRODUCT SPEC: 108-1973 APPLICATION SPEC: 114-13038 WEIGHT:	MATERIAL:	CUSTOMER DRAWING	SCALE: 4:1 SHEET: 9 OF 13 REV: F5
----------------------------------------	--	---------------------------------------------------------------	-------------------------------------------------------------------------------------------------------------------------------------------------	---------------------------------------------------------------------------------------------------------------------------------------------------	-----------	------------------	-----------------------------------------

REVISIONS				
P.	LTN.	DESCRIPTION	DATE	APP'D.
-	-	SEE SHEET 1	-	-

PART NUMBER	ROWS	POWER				SIGNAL			POWER		
		P1	P2	P3	P4	1	2	3	P5	P6	
1-6600130-9	D C B A	PS	PS	PS	PS	E	E	E	PS	PS	
						F	F	F			
						N	N	N			
						H	H	H			
4ACP + 12S + 2P											

PART NUMBER	ROWS	POWER				SIGNAL			POWER				
		P1	P2	P3	P4	1	2	3	P5	P6	P7	P8	
2-6600130-1	D C B A	PS	PS	PS	PS	J	J	J	PS	PS	PS	PS	
						K	F	K					
						N	N	N					
						S	S	S					
4P + 12S + 4P													

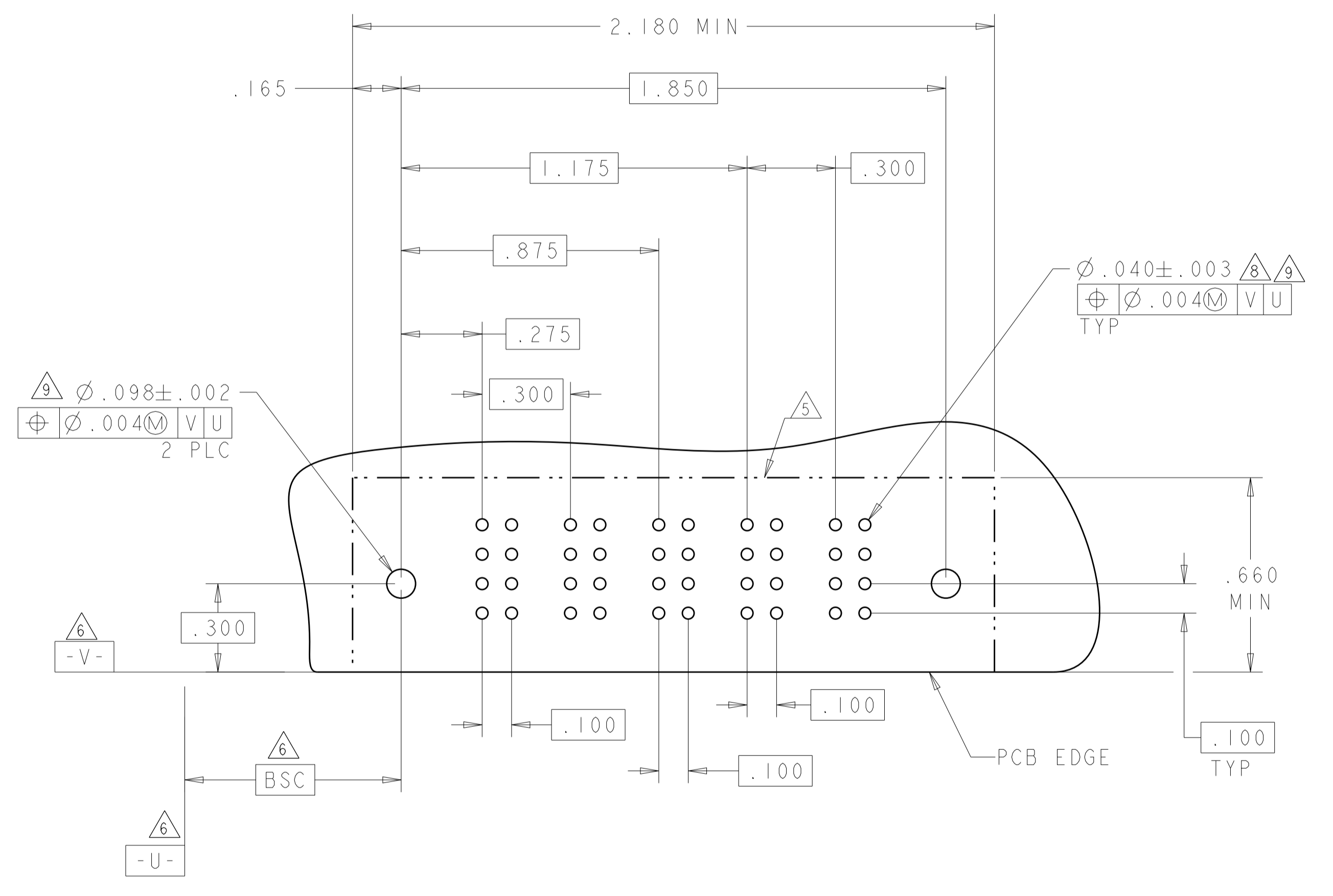
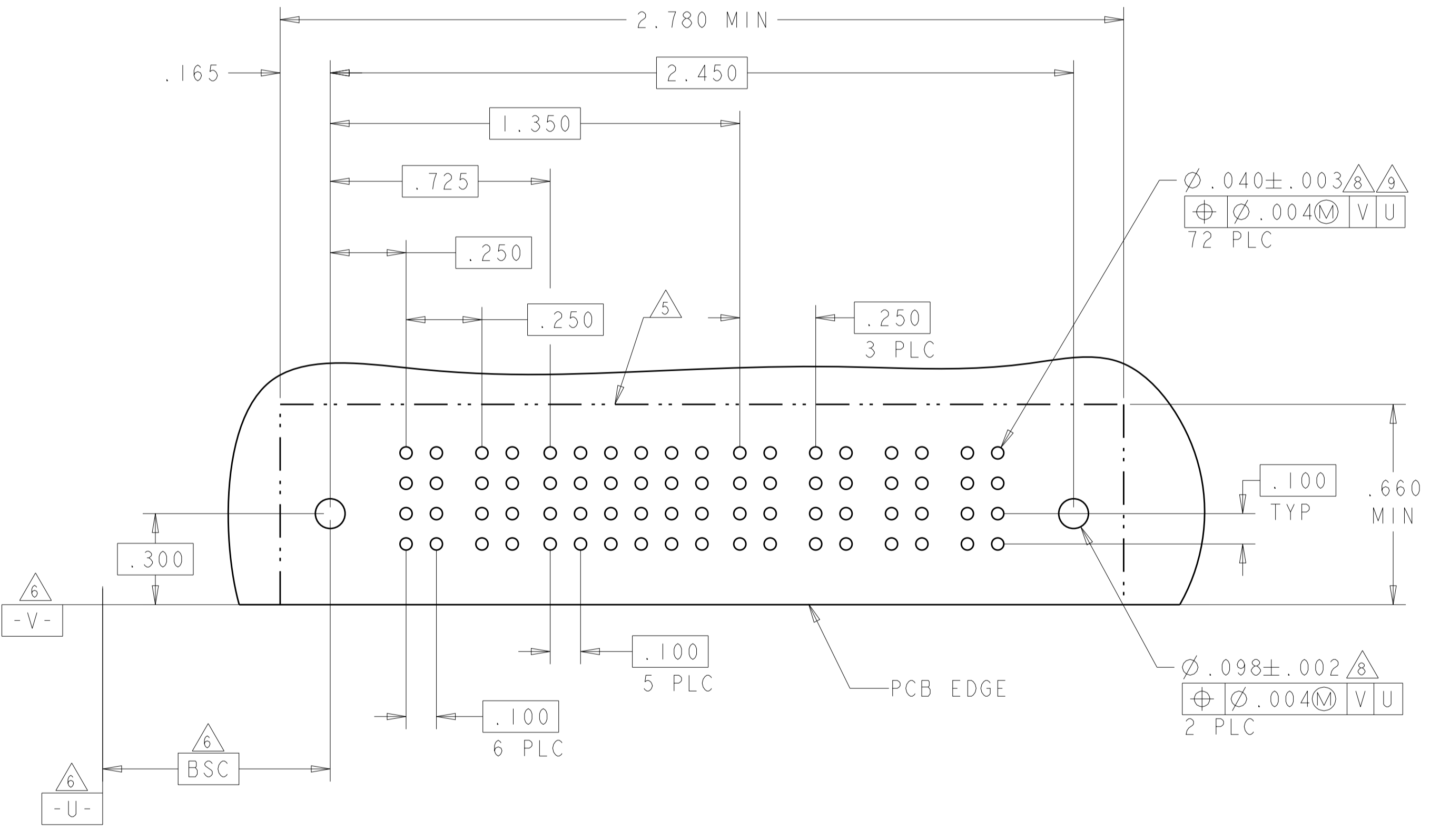


THIS DRAWING IS A CONTROLLED DOCUMENT.		OWN: B. GRZYBOWSKI CHK: M. PERCHERKE APP'D: M. PERCHERKE	OTIMAROS OTIMAROS	STE TE Connectivity
DIMENSIONS: INCHES	TOLERANCES UNLESS OTHERWISE SPECIFIED:	NAME: RIGHT ANGLE HEADER ASSEMBLY PRODUCT SPEC: 108-1973 APPLICATION SPEC: 114-13038 SIZE: A1 CAGE CODE: C=6600130 DRAWING NO: 10 OF 13 REV: F5		
MATERIAL:	FINISH:	WEIGHT:		RESTRICTED TO:
CUSTOMER DRAWING		SCALE: 4:1		

REVISIONS				
P.	LTN	DESCRIPTION	DATE	APP'D
-	-	SEE SHEET 1	-	-

PART NUMBER	ROWS	POWER		SIGNAL						POWER				
		P1	P2	1	2	3	4	5	6	P3	P4	P5	P6	
2-6600130-2	D	PS	PS	J	J	J	J	J	J	PS	PS	PS	PS	HD
	C			K	K	K	K	K	K					
	B			N	N	N	N	N	N					
	A			S	S	S	S	S	S					
2P + 24S + 4P														

PART NUMBER	ROWS	POWER		SIGNAL		POWER	
		P1	P2	1	2	P3	P4
2-6600130-4	D	PS	PS	J	J	PS	PS
	C			K	K		
	B			N	N		
	A			S	S		
2ACP + 8S + 2ACP							

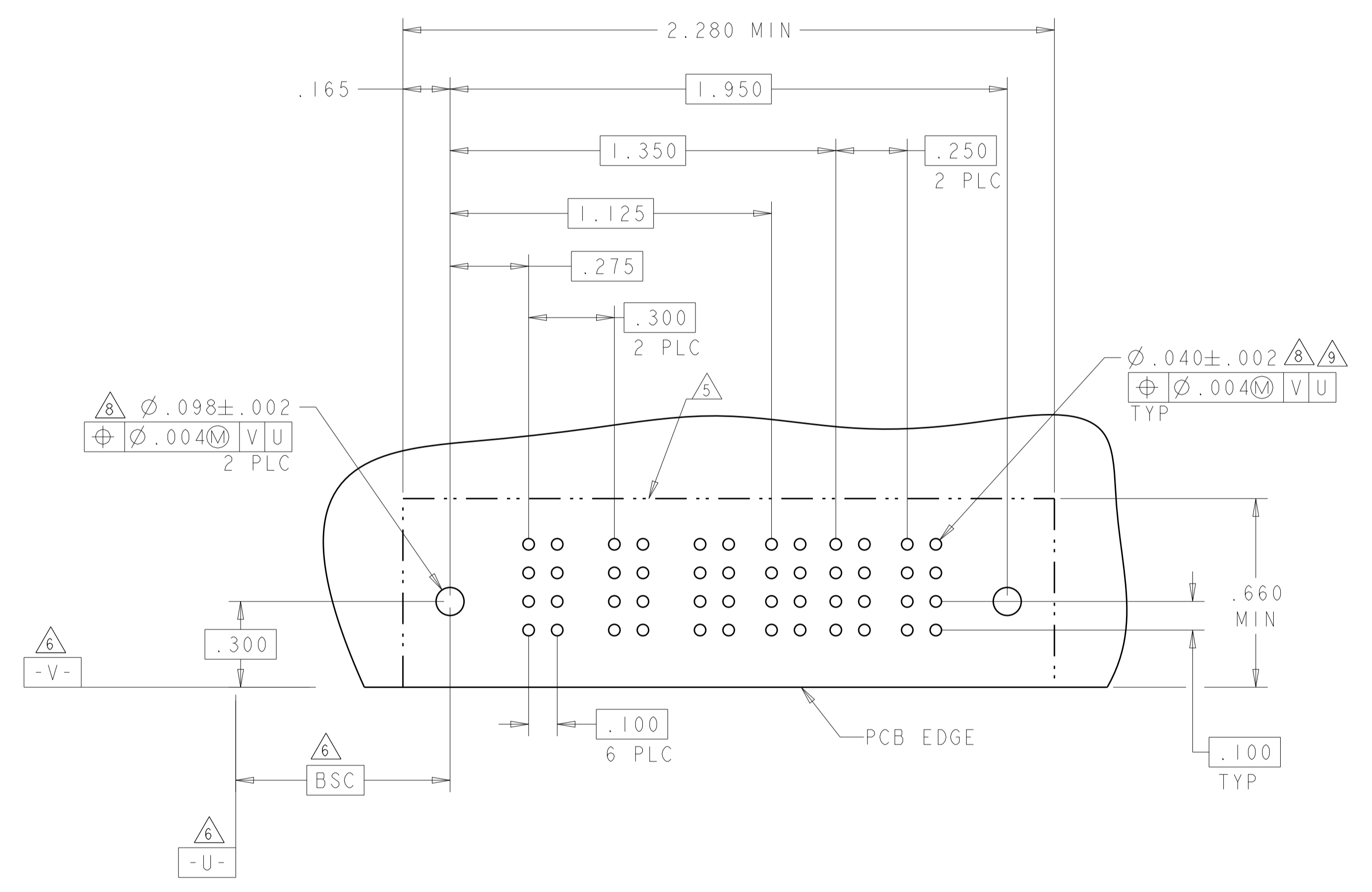
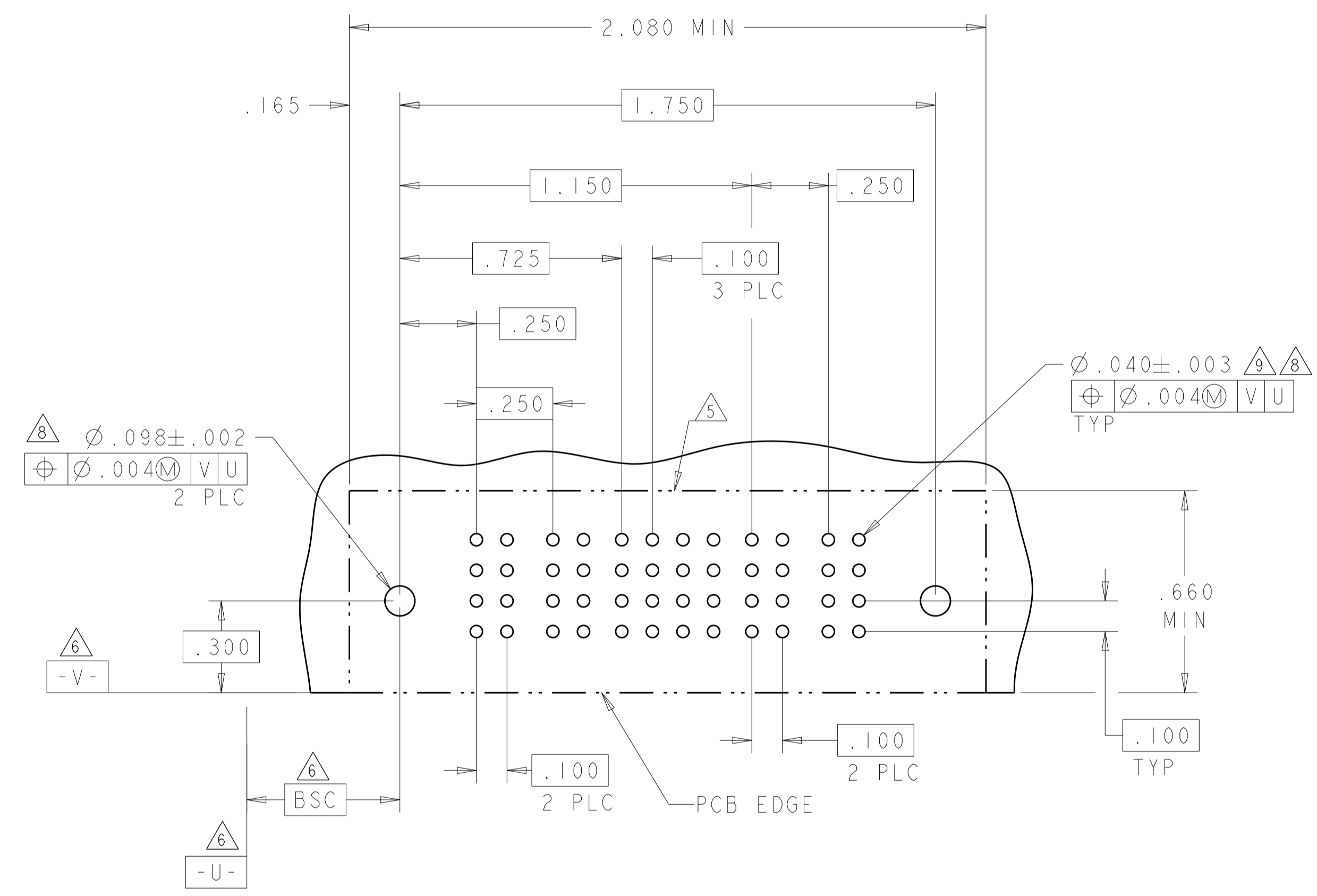


THIS DRAWING IS A CONTROLLED DOCUMENT.		DWN: B. GRZYBOWSKI CHK: M. PERCHERKE APVD: M. PERCHERKE	DIMAROS DIMAROS DIMAROS	TE Connectivity
DIMENSIONS: INCHES	TOLERANCES UNLESS OTHERWISE SPECIFIED: 0 PLC ± 1 PLC ±.01 2 PLC ±.005 3 PLC ±.0020 4 PLC ±.0020 ANGLES ±.2°	NAME: RIGHT ANGLE HEADER ASSEMBLY PRODUCT SPEC: 108-1973 APPLICATION SPEC: 114-13038 WEIGHT: - CUSTOMER DRAWING	SIZE: A1 CAGE CODE: - DRAWING NO: 6600130	

REVISIONS				
P.	LTN.	DESCRIPTION	DATE	APVD.
-	-	SEE SHEET 1	-	-

PART NUMBER	ROWS	POWER		SIGNAL				POWER	
		P1	P2	1	2	3	4	P3	P4
2-6600130-5	D	PS	PS	E	J	J	J	PS	PS
	C			K	K	K	K		
	B			N	N	N	N		
	A			S	S	S	S		
2P + 16S + 2P									

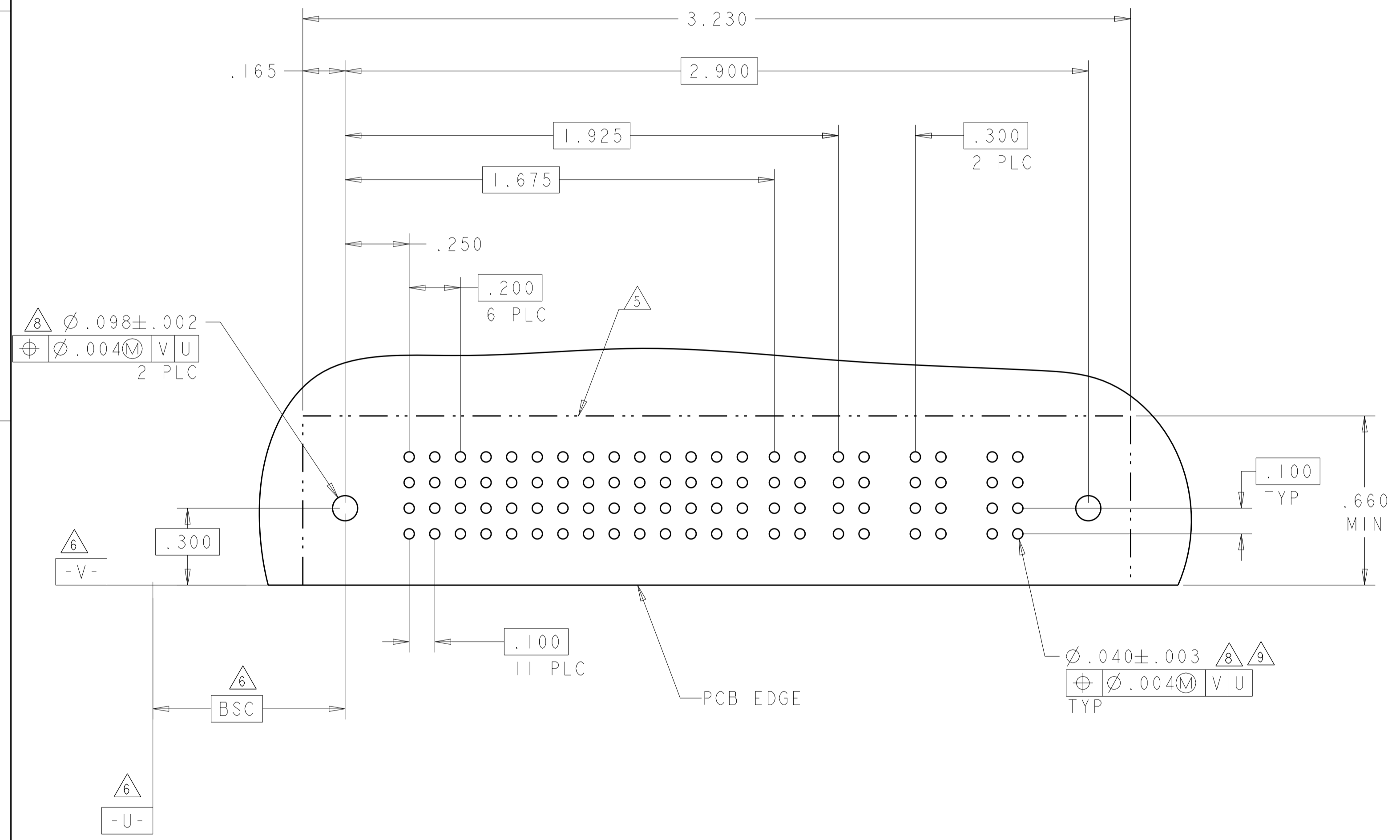
PART NUMBER	ROWS	POWER			SIGNAL		POWER	
		P1	P2	P3	1	2	P4	P5
2-6600130-6	D	PS	PS	PS	J	J	PS	PS
	C				K	K		
	B				N	N		
	A				H	S		
3ACP + 8S + 2P								



THIS DRAWING IS A CONTROLLED DOCUMENT.		DWN: R. GRZYBOWSKI CHK: M. PERCHERKE APVD: M. PERCHERKE	OTMAROS OTMAROS	STE TE Connectivity
DIMENSIONS: INCHES	TOLERANCES UNLESS OTHERWISE SPECIFIED:	NAME: RIGHT ANGLE HEADER ASSEMBLY PRODUCT SPEC: 108-1973 APPLICATION SPEC: 114-13038 SIZE: A1 CAGE CODE: C=6600130 DRAWING NO: 12 OF 13 RESTRICTED TO: F5		
MATERIAL:	FINISH:	WEIGHT:		CUSTOMER DRAWING
SCALE: 4:1		SHEET 12 OF 13		REV: F5

REVISIONS				
P.	LTN.	DESCRIPTION	DATE	APVD.
-	-	SEE SHEET 1	-	-

PART NUMBER	ROWS	POWER							SIGNAL		POWER		
		P1	P2	P3	P4	P5	P6	P7	1	2	P8	P9	P10
2-6600130-7	D	PS	PS	PS	PS	PS	PS	PS	E	E	PS	PS	PS
	C								F	F			
	B								G	G			
	A								H	H			
7HDP + 8S + 3ACP		HD									HD		



THIS DRAWING IS A CONTROLLED DOCUMENT.		DWN: B. GRZYBOWSKI CHK: M. PERCHERKE	DTMAROS	TE Connectivity
DIMENSIONS: INCHES		DIMENSIONS: INCHES TOLERANCES UNLESS OTHERWISE SPECIFIED: 0 PLC ± 1 PLC ±.01 2 PLC ±.01 3 PLC ±.005 4 PLC ±.0020 ANGLES ±2°		
MATERIAL: - FINISH: -		APVD: M. PERCHERKE PRODUCT SPEC: 108-1973 APPLICATION SPEC: 114-13038 WEIGHT: - CUSTOMER DRAWING		SIZE: A1 CAGE CODE: - DRAWING NO: 6600130 SCALE: 4:1 SHEET: 13 OF 13 REV: F5

X-ON Electronics

Largest Supplier of Electrical and Electronic Components

Click to view similar products for [Power to the Board](#) category:

Click to view products by [TE Connectivity](#) manufacturer:

Other Similar products are found below :

[10131318-08512GRLF](#) [6450171-4](#) [6450552-7](#) [6600323-8](#) [6643429-1](#) [6646040-2](#) [6651939-1](#) [6766604-1](#) [120959-1](#) [1393557-2](#) [1393532-2](#)
[1393532-3](#) [1393532-4](#) [1393557-1](#) [1600812-5](#) [1-6450861-2](#) [1645595-1](#) [1743490-1](#) [1744132-7](#) [1761122-1](#) [1766169-1](#) [1766250-1](#) [18362](#)
[1892109-1](#) [1-967627-6](#) [2226808-1](#) [2-6450860-5](#) [2-6450860-6](#) [2-6450870-0](#) [93003-0502](#) [953552-1](#) [1-6450161-4](#) [1-6450850-6](#) [1645526-2](#) [1-](#)
[6600130-0](#) [1743419-1](#) [1766150-1](#) [2005243-2](#) [211110-1](#) [2-6600130-2](#) [TE34-12-16P-F0](#) [51700-10201602AALF](#) [5-6450830-6](#) [5646956-4](#)
[36662-0005](#) [40585-3000](#) [4-6450830-9](#) [4-6600333-3](#) [51142-0214](#) [10125416-4050LF](#)